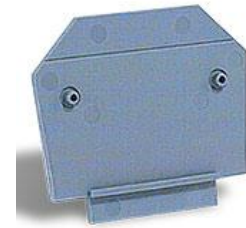


End Plate

Part number: **10134259-001LF**



End plate for Screw Terminal Blocks - 2.5 to 4.0mm²

GENERAL DATA

Item	10134259
Weight/Piece	2.4 g
Colour	Grey
Q.ty p.pck.	100

TECHNICAL DATA / DIMENSIONS

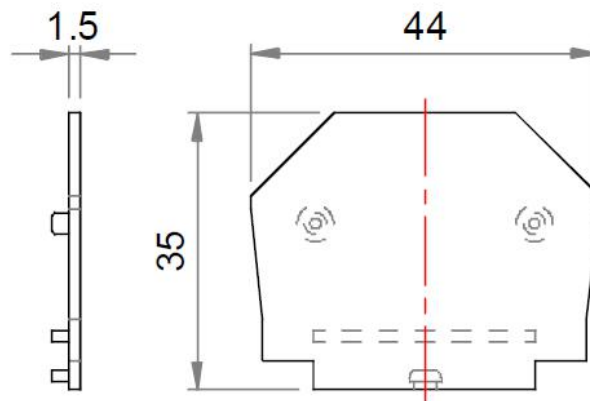
Dimensions

Width mm	1.5
Length mm	44
Height mm	35

Technical data

Insulating material	PA 66 – V2
---------------------	------------

TECHNICAL DRAWINGS



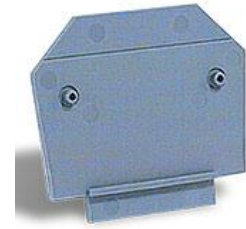
ACCESSORIES

Additional items

Item	Description
10134250 (all colors)	Screw Terminal Block 2.5
10134251 (all colors)	Screw Terminal Block 4

End Plate

Part number: **10134260-001LF**



End plate for Screw Terminal Blocks - 6.0 to 10.0mm²

GENERAL DATA

Item	10134260
Weight/Piece	3.2 g
Colour	Grey
Q.ty p.pck.	100

TECHNICAL DATA / DIMENSIONS

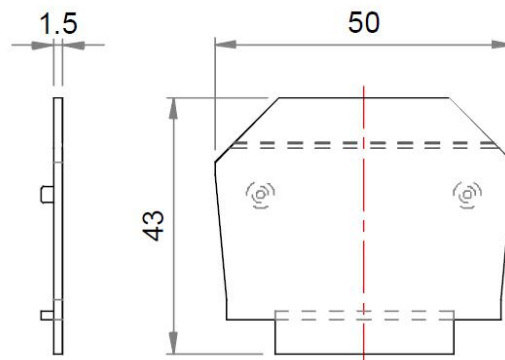
Dimensions

Width mm	1.5
Length mm	50
Height mm	43

Technical data

Insulating material	PA 66 – V2
---------------------	------------

TECHNICAL DRAWINGS



ACCESSORIES

Additional items

Item	Description
10134253 (all colors)	Screw Terminal Block 6
10134254 (all colors)	Screw Terminal Block 10

End Plate

Part number: **10134261-001LF**



End plate for Screw Terminal Blocks - 16.0 to 25.0mm²

GENERAL DATA

Item	10134261
Weight/Piece	4 g
Colour	Grey
Q.ty p.pck.	50

TECHNICAL DATA / DIMENSIONS

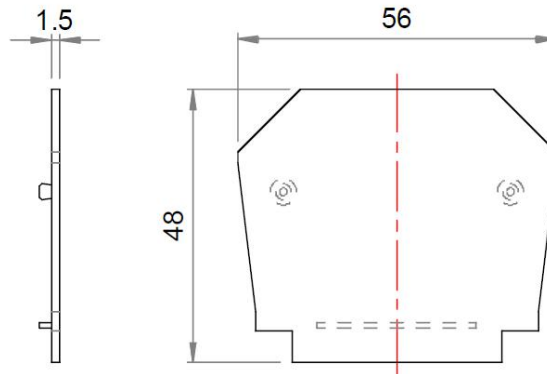
Dimensions

Width mm	1.5
Length mm	56
Height mm	48

Technical data

Insulating material	PA 66 – V2
---------------------	------------

TECHNICAL DRAWINGS



ACCESSORIES

Additional items

Item	Description
10134255 (all colors)	Screw Terminal Block 16-25

End Plate

Part number: **10134262-001LF**



End plate for Screw Terminal Blocks - 35.0 to 50.0mm²

GENERAL DATA

Item	10134262
Weight/Piece	5.6 g
Colour	Grey
Q.ty p.pck.	50

TECHNICAL DATA / DIMENSIONS

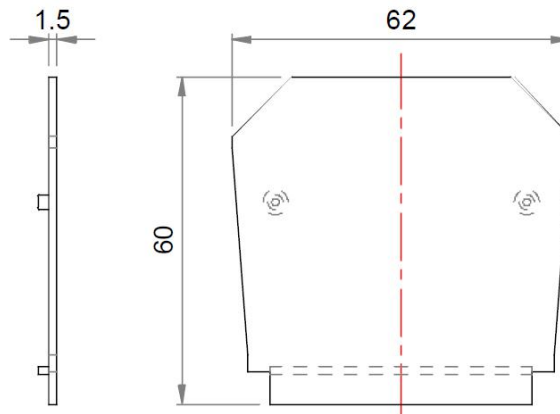
Dimensions

Width mm	1.5
Length mm	62
Height mm	60

Technical data

Insulating material	PA 66 – V2
---------------------	------------

TECHNICAL DRAWINGS



ACCESSORIES

Additional items

Item	Description
10134256 (all colors)	Screw Terminal Block 35-50