

# FB-2SP-ET

Order No.: 2316022




<http://eshop.phoenixcontact.de/phoenix/treeViewClick.do?UID=2316022>

Foundation Fieldbus and PROFIBUS PA segment protection with Trunk In and Trunk Out connections (preinstalled mechanical terminator) and additional terminal connections for 2 spurs connected to fieldbus end devices.



## Commercial data

|                          |  |
|--------------------------|--|
| GTIN (EAN)               | <br>4 046356 298704 |
| sales group              | H681   |
| Pack                     | 1 pcs.   |
| Customs tariff           | 85176200   |
| Catalog page information | Page 500 (IF-2009)   |

<http://www.download.phoenixcontact.com>  
Please note that the data given here has been taken from the online catalog. For comprehensive information and data, please refer to the user documentation. The General Terms and Conditions of Use apply to Internet downloads.

## Technical data

### Serial interface

|                                       |   |
|---------------------------------------|---|
| Interface 1                           | Foundation Fieldbus and PROFIBUS PA Segment       |
| Termination resistor                  | 100 Ω, external removable connector included      |
| Type of connection                    | Pluggable COMBICON screw connection for each spur |
| Conductor cross section solid min.    | 0.2 mm <sup>2</sup>                               |
| Conductor cross section solid max.    | 2.5 mm <sup>2</sup>                               |
| Conductor cross section stranded min. | 0.2 mm <sup>2</sup>                               |

|  |                                     |
|--|-------------------------------------|
| Conductor cross section stranded max.  | 2.5 mm <sup>2</sup>                 |
| Conductor cross section AWG/kcmil min. | 24                                  |
| Conductor cross section AWG/kcmil max  | 12                                  |
| Interface 2                            | Foundation Fieldbus and PROFIBUS PA |
| Type of connection                     | Pluggable screw connection          |
| Conductor cross section solid min.     | 0.2 mm <sup>2</sup>                 |
| Conductor cross section solid max.     | 2.5 mm <sup>2</sup>                 |
| Conductor cross section stranded min.  | 0.2 mm <sup>2</sup>                 |
| Conductor cross section stranded max.  | 2.5 mm <sup>2</sup>                 |
| Conductor cross section AWG/kcmil min. | 24                                  |
| Conductor cross section AWG/kcmil max  | 12                                  |

**Power supply**

|                             |   |
|-----------------------------|---|
| Supply voltage range        | 9 V DC ... 31 V DC (input on trunk line side) |
| Typical current consumption | 7 mA  |

**General data**

|   |  |
|---|--|
| Width                                   | 17.5 mm                                |
| Height                                  | 98.4 mm                                |
| Depth                                   | 70.4 mm                                |
| Ambient temperature (storage/transport) | -40 °C ... 85 °C                       |
| Ambient temperature (operation)         | -40 °C ... 70 °C                       |
| Standards/regulations                   | IEC 60529, IEC 61158-2                 |
|   | NE21                                   |
|   | EN 61326, EN 60068-2-27, EN 60068-2-6  |
| Degree of protection                    | IP20                                   |
| Mounting position                       | horizontal DIN rail NS 35, EN 60715    |
| Net weight                              | 75 g                                   |
| Color                                   | green                                  |
| ATEX                                    | Ex II 3 G Ex nA [nL] IIC T4 X          |
| UL, USA / Canada                        | Class I, Zone 2, Group IIC T4          |
|   | Class I, Div. 2, Groups A, B, C, D, T4 |

**Certificates / Approvals**

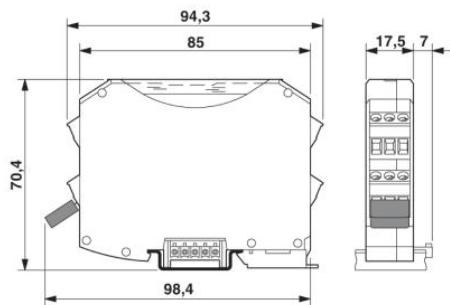
Certification Ex: CUL-EX LIS, PxC-EX, UL-EX LIS

**Accessories**

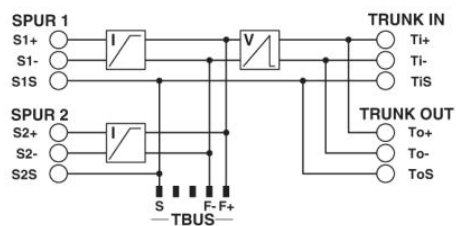
| Item           | Designation    | Description  |
|----------------|----------------|--|
| <b>General</b> |                |  |
| 2316035        | FB-PS-25/0.36A | Isolated Foundation Fieldbus Power Supply with integrated Terminator. Multiple single channel modules can be installed using Phoenix Contacts TBUS connector system reducing wiring and installation costs.                    |
| 2856126        | PT 1X2+F-BE    | Base element for protective plug PT with protective circuit for a 2-core floating signal circuit. Integrated gas arrester as coarse protection between GND and PE. Mounting on NS 35/7.5 und NS 35/15, housing width: 17.5 mm. |
| 2856058        | PT 1X2-24AC-ST | Protective plug PT with protective circuit for a 2-core floating signal circuit. Nominal voltage: 24 V AC  |

**Diagrams/Drawings**

Dimensioned drawing



Circuit diagram



Connection diagram: FB-2SP-ET

**Address**

PHOENIX CONTACT Deutschland GmbH  
Flachmarktstr. 8  
32825 Blomberg, Germany  
Phone +49 5235 3 12000  
Fax +49 5235 3 41200  
<http://www.phoenixcontact.de>



© 2010 Phoenix Contact  
Technical modifications reserved;