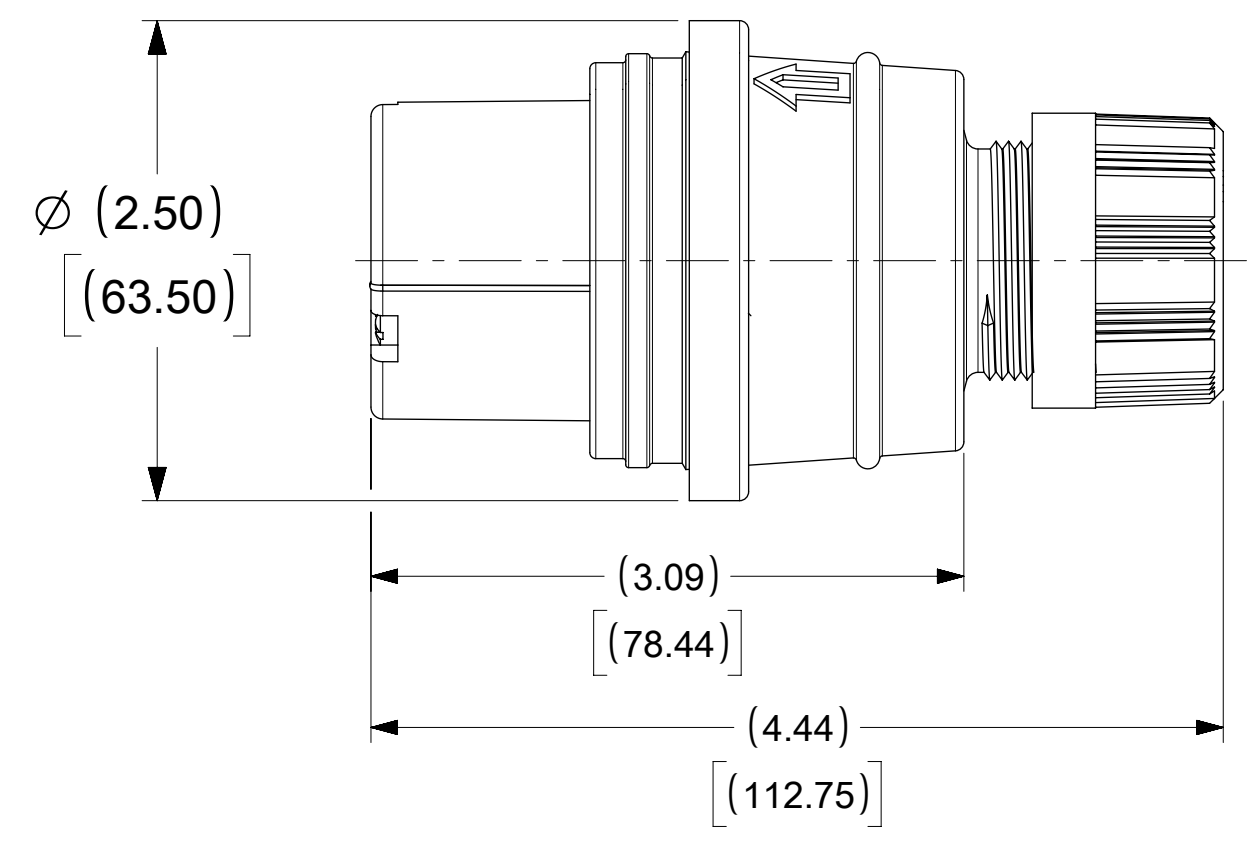
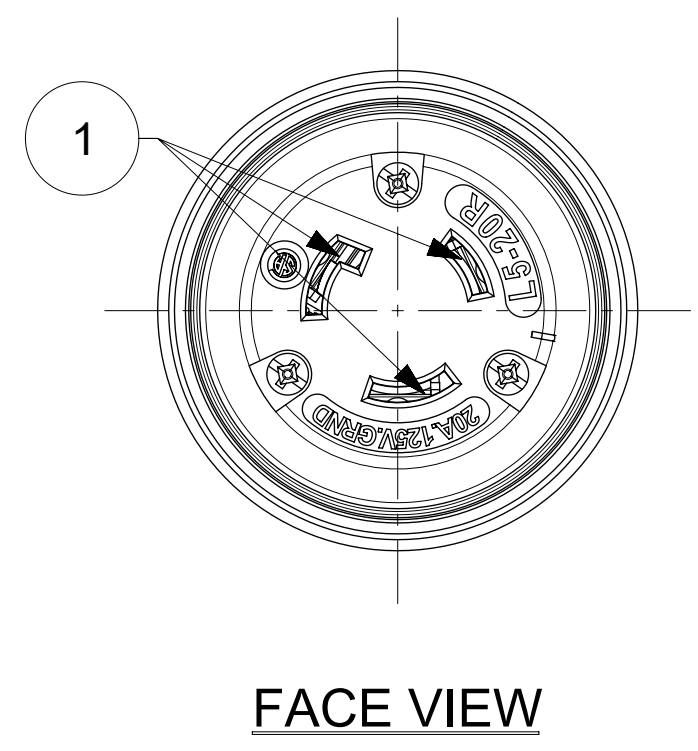
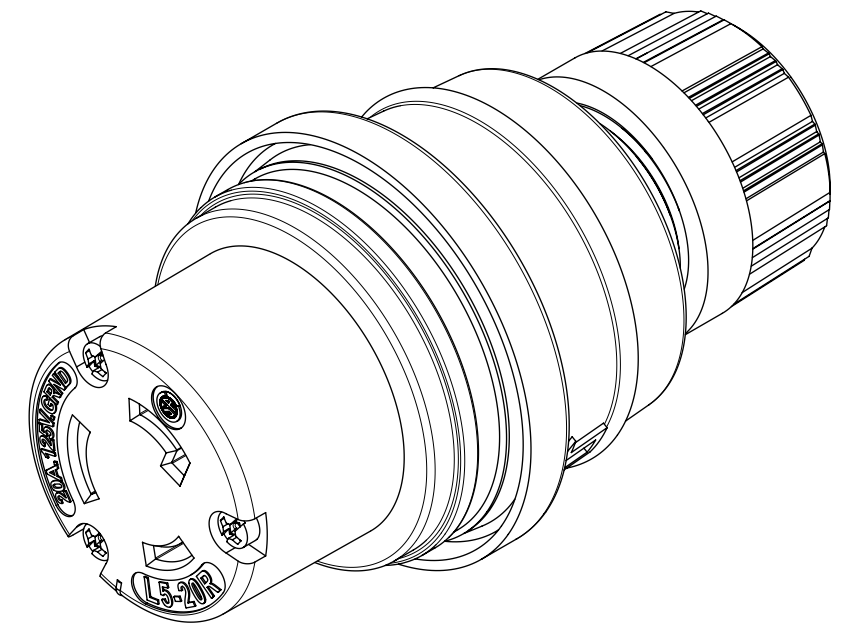
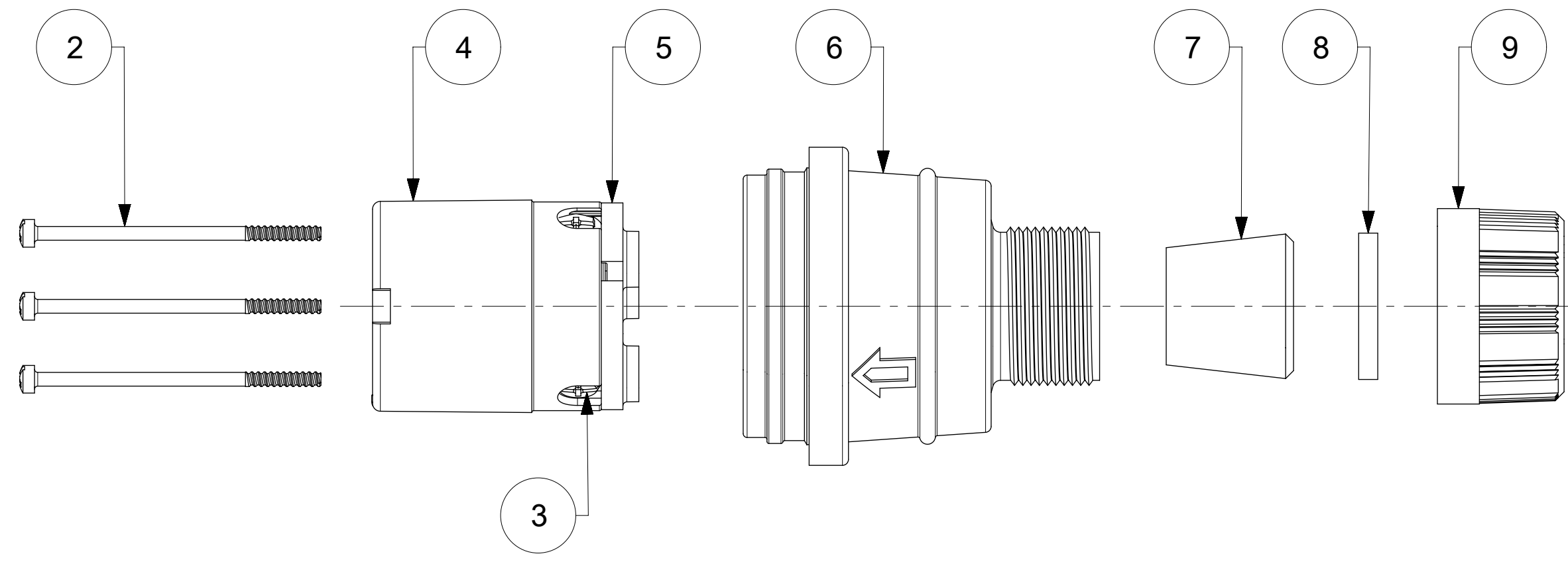


ORDER NO.	WOODHEAD NO.	COLOR
130147-0250	27W47MB-P	YELLOW



ITEM NO.	DESCRIPTIONS	MATERIAL	QTY.
1	BLADE	BRASS, NICKEL PLATED	3
2	RETAINING SCREWS	STAINLESS STEEL	3
3	CLAMP AND TERMINAL SCREW ASSY	BRASS, ZINC PLATED	3
4	INSERT	NYLON	1
5	TERMINAL COVER	POLYCARBONATE	1
6	HOUSING	SILICON WITH NYLON THREAD	1
7	GROMMET	RUBBER	1
8	FRICTION RING	NYLON	1
9	COMPRESSION NUT	NYLON	1

THIS DRAWING CONTAINS INFORMATION THAT IS PROPRIETARY TO MOLEX ELECTRONIC TECHNOLOGIES, LLC AND SHOULD NOT BE USED WITHOUT WRITTEN PERMISSION			
DIMENSION UNITS: INCH[MM]		SCALE: NTS	
CURRENT REV DESC: RELEASED			
GENERAL TOLERANCES (UNLESS SPECIFIED)		EC NO: 614215	
4 PLACES	±	MM	2018/12/14
3 PLACES	±	INCH	DRWN: DSOPPIN
2 PLACES	±		2018/12/14
1 PLACE	±		CHK'D: DNGUYEN62
0 PLACES	±		2019/03/29
ANGULAR TOL ± °		APPR: HKNEELAND 2019/03/30	
DRAFT WHERE APPLICABLE MUST REMAIN WITHIN DIMENSIONS		INITIAL REVISION:	
THIRD ANGLE PROJECTION		DRWN: DSOPPIN 2018/12/14	
DRAWING SERIES		APPR: HKNEELAND 2019/03/30	
C-SIZE 130147		DOCUMENT NUMBER: 1301470250	
MATERIAL NUMBER: SEE TABLE		DOC TYPE: PSD	
CUSTOMER: GENERAL MARKET		DOC PART: 000	
SHEET NUMBER: 1 OF 1		REVISION: A	