

PLEASE CHECK WWW.MOLEX.COM FOR LATEST PART INFORMATION

Part Number: [0734152122](#)
Status: **Active**
Overview: MMCX RF Connectors
Description: 50 Ohms, MMCX Vertical Plug, PCB, Plating Per Commercial Requirements, One Per Bag

Documents:

[3D Model](#) [3D Model \(PDF\)](#)
[Drawing \(PDF\)](#) [RoHS Certificate of Compliance \(PDF\)](#)

General

Product Family	RF/Coax Connectors
Series	73415
Overview	MMCX RF Connectors
Product Name	MMCX
Style	PCB
Taxonomy	RF / Coaxial Connectors
Type	Microminiature
UPC	800756724010
Wire/Cable Type	N/A

Physical

Gender	Plug
Keying to Mating Part	None
Net Weight	0.254/g
Orientation	Straight
PCB Mounting	Through Hole
PCB Thickness - Recommended	2.40mm
Packaging Type	Bag
Panel Mount	No
Panel Mount Method	N/A
Reverse Polar	No

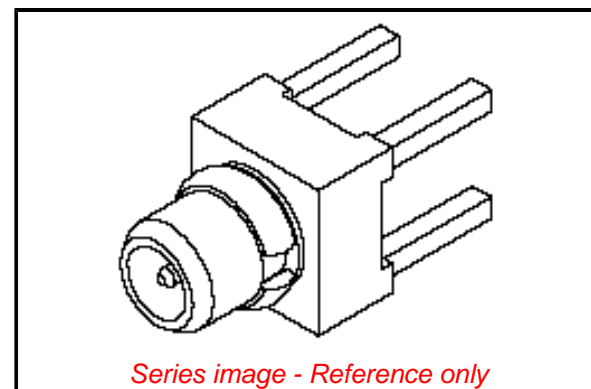
Electrical

Frequency	6 GHz
Impedance	50Ω
Power / Voltage	VOLTAGE: 170 Vrms@Sea Level

Material Info

Reference - Drawing Numbers

Sales Drawing	SD-73415-212-001
---------------	------------------



EU ELV

Not Reviewed

EU RoHS

Not Reviewed

REACH SVHC

Not Reviewed

Halogen-Free

Status

Not Reviewed

For more information, please visit [Contact US](#)

China ROHS

Not Reviewed

ELV

Not Reviewed

RoHS Phthalates

Not Reviewed

Search Parts in this Series

[73415 Series](#)