

# Safety magnetic sensors

## Magnetic units

### CLS series

CARLO GAVAZZI



- Multiple flux coded magnets
- Rectangular shape (CLS)
- Cylindrical shape plastic (CLSA2, CLSA3)
- Cylindrical shape metal (CLSA2M)

### Product Description

The coded magnet series with SMS Safety magnetic includes multiple flux sensors. Also metallic case is available (CLSA2M).  
rectangular and cylindrical magnets to be used together

### Ordering Key

**CLS A2 M**

Safety Magnetic unit \_\_\_\_\_  
Housing \_\_\_\_\_  
Case Material \_\_\_\_\_

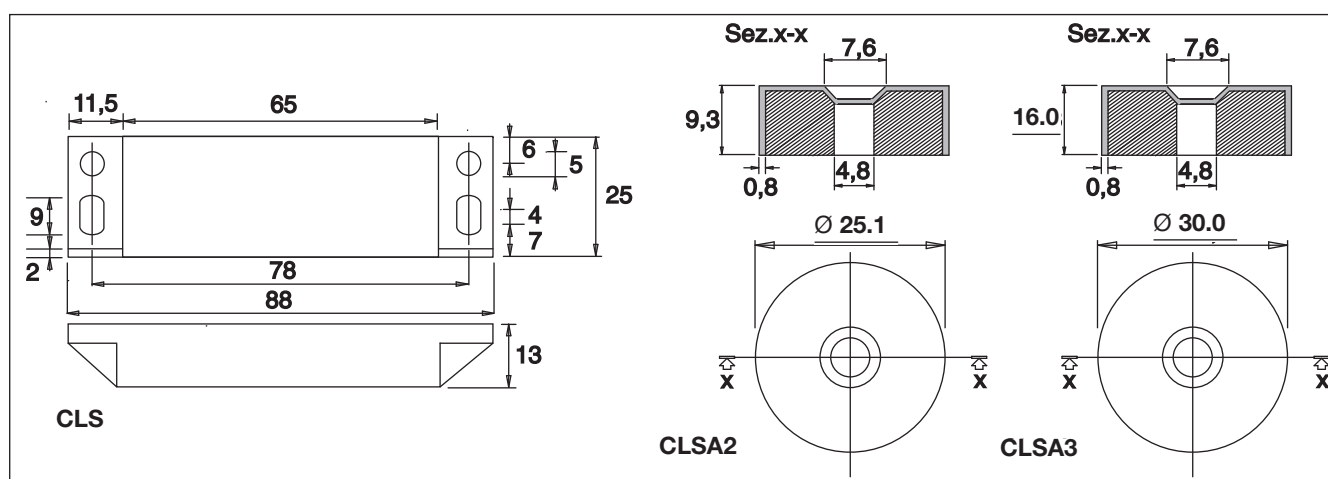
### Type Selection

Body shape	Dimensions	Case material	Item code	Item Code (UL)
Rectangular	88 x 25 x 13 mm	Plastic	<b>CLS</b>	<b>CLS D88 P M0</b>
Cylindrical	Ø 25.1 x 9.3 mm	Plastic	<b>CLSA2</b>	<b>CLS A25 P C0</b>
Cylindrical	Ø 25.1 x 9.3 mm	Stainless steel	<b>CLSA2M</b>	<b>CLS A25 M N0</b>
Cylindrical	Ø 30.0 x 16.0 mm	Plastic	<b>CLSA3</b>	<b>CLS A30 P E0</b>

### General Specifications

Housing	Dimensions	Weight	Environment
Material	CLS, CLSAXXPXX, CLSA25M	CLS: Approx. 35 g CLSA2: Approx. 13 g CLSA2M: Approx. 25 g CLSA3: Approx. 18 g	Degree of protection: IP 67 Operating temperature: -25 to +70 °C Storage temperature: -25 to +70 °C
	CLS: 88x25x13 mm CLSA2: Ø 25.1 x 9.3 mm CLSA3: Ø 30.0 x 16.0 mm		
	Plastic Stainless steel		

### Dimensions



Safety Magnetic Sensors