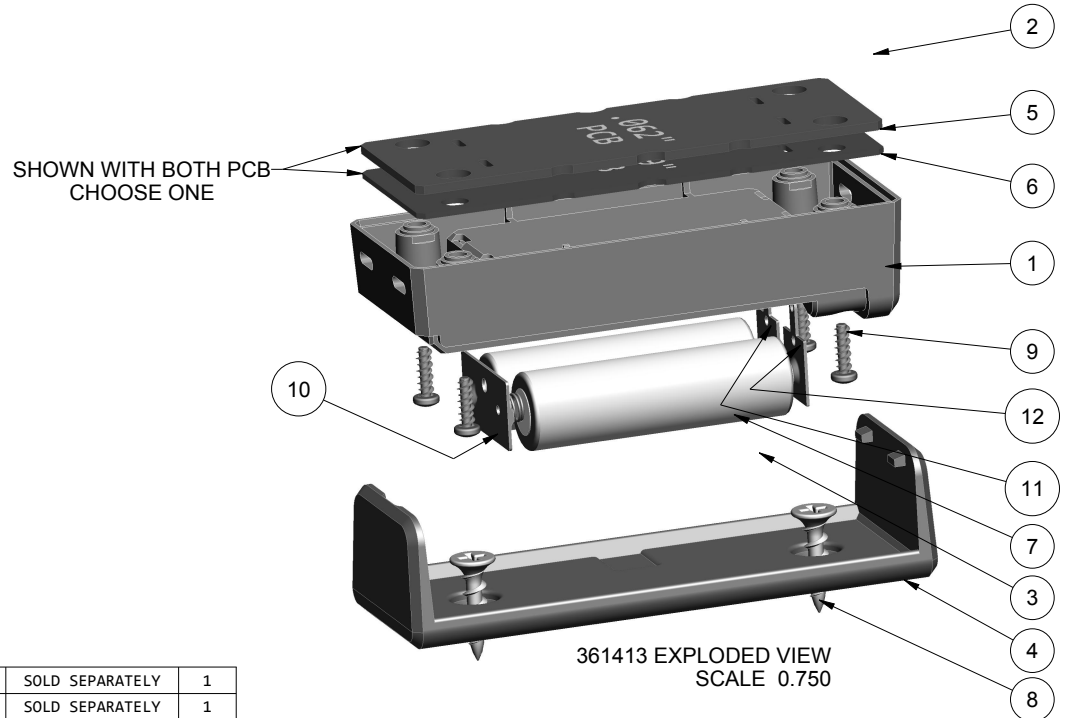


NOTES: UNLESS OTHERWISE SPECIFIED

1. CORNERS DRAWN SHARP TO BE R.005 MAXIMUM.
2. EXTERIOR SURFACE TEXTURE TO BE LIGHT EDM FINISH, EQUIVELANT TO MT-11010. APPEARANCE AND DEPTH OF TEXTURE VARIES OVER TIME DUE TO WEAR.
3. INTERIOR SURFACE TEXTURE TO BE: AS MOLDED.
4. ALL INSIDE RADII .010R. UNLESS OTHERWISE SPECIFIED.
5. ALL EXTERNAL DIMENSIONS AFFECTED BY THE DRAFT APPLY AT THE LARGE END OF THE FEATURE, AND ALL INTERNAL FEATURES AFFECTED BY THE DRAFT APPLY AT THE SMALL END OF THE FEATURE UNLESS OTHERWISE SPECIFIED.
6. 1 DEGREE DRAFT IN THE DIRECTION OF PULL IS PERMISSIBLE UNLESS OTHERWISE SPECIFIED.
7. MATERIAL / COLOR: ABS PLASTIC IS STANDARD IN BLACK OR WHITE. CUSTOM MATERIALS AND COLORS ARE AVAILABLE UPON REQUEST FOR QUOTE.
8. PCB SIZES ARE RECOMMENDATIONS ONLY. FINAL SIZES AND VERIFICATION OF ITS FIT ARE THE SOLE RESPONSIBILITY OF EACH OWNER.
9. ASSEMBLY SCREWS FOR THE ENCLOSURE INCLUDED.
10. THIS DRAWING IS BASED ON A SOLID MODEL, AND IS FURTHER DEFINED BY THE SOLID MODEL FILE.
11. ALLOWABLE FLASH: 0.005 MAX.
12. ALL EJECTOR PIN MARKS TO BE WITHIN 0.010" OF FLUSH, PROTRUDING OR BELOW FLUSH.
13. TRIM GATE WITHIN 0.015" OF FLUSH.

R E V I S I O N					
REV.	DRAWN BY	ECO No	DESCRIPTION	DATE	APPR.
A	M BOYER		PRELIMINARY RELEASE	2014-May-02	D.C.
B	M BOYER		REDUCE HEIGHT OF HATCH LIP	2014-May-16	D.C.
C	M BOYER		INCREASE HEIGHT OF COVER .102	2014-Oct-07	D.C.
D	M BOYER		ADD .039" BOARD OPTION	2014-Oct-21	D.C.
E	M BOYER		CLOSE UP BEAUTY RING AND ADD DRAWING DETAILS	2014-Dec-01	D.C.
1.0	R CRUZ	0469	UPDATE TO AS-BUILT AND RELEASE	2015-Sep-03	D.C.
2.0	M BOYER	02016	INCLUDE WALL CRADLE	2016-Mar-21	D.C.
3.0	R CRUZ	05416	UPDATE NOTES 2 AND 3	2016-Dec-20	D.C.
4.0	M BOYER	01417	INCREASE LEAD-IN ON HATCH LATCH	2017-May-11	

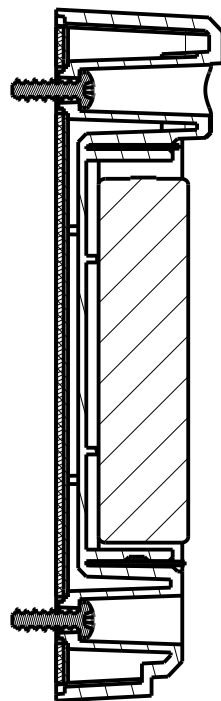
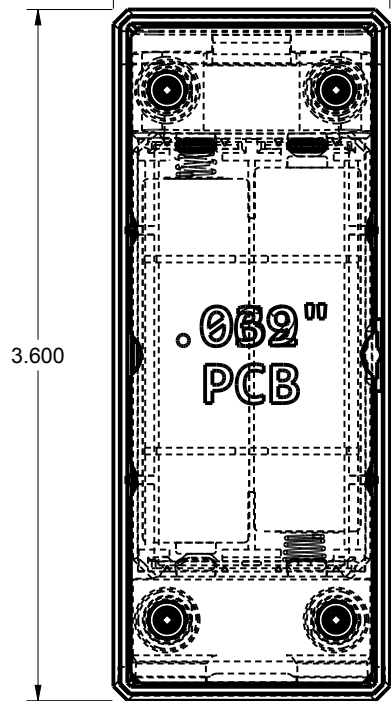
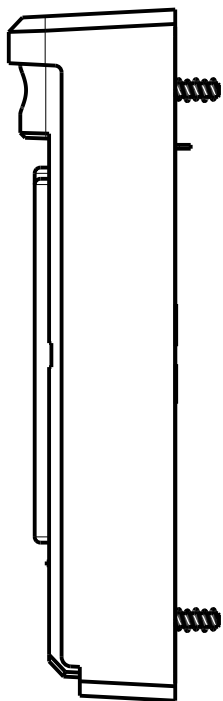
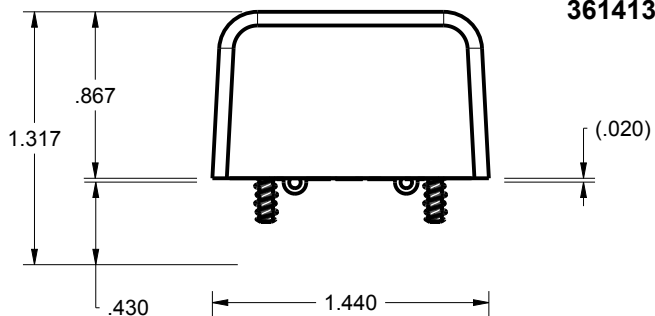


361413(x) CONFIGURATIONS			
	-[BLANK]	-K	-W
361413 COVER	1	1	
361413 BASE	1		
361413 BASE w/ WALL NOTCHES		1	
361413 BATTERY HATCH	1	1	
361413 WALL CRADLE		1	1
#4 HiLo SCREW .375"	4	4	

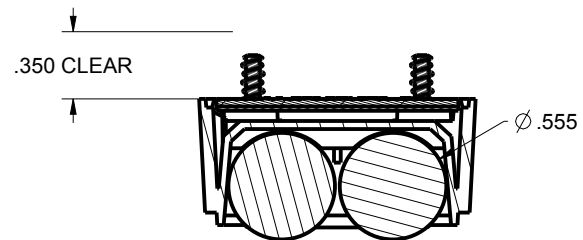
12	AA-SINGL-CONTACT-POS	ACC-AAPOS-5223	SPRING STEEL	SOLD SEPARATELY	1
11	AA-SINGL-CONTACT-NEG	ACC-AANEG-5201	SPRING STEEL	SOLD SEPARATELY	1
10	AA-DBL-CONTACT	ACC-AADBL-5212	SPRING STEEL	SOLD SEPARATELY	1
9	SCREW_HILO-NO4X375	#4 HiLo x .375" SCREW	ZINK PLATED	INCLUDED	4
8	SCREW-DRYWALLX750	DRYWALL SCREW	REFERENCE ONLY	CUSTOMER SUPPLIED	2
7	BATTERY_AA	"AA" SIZE BATTERY	REFERENCE	CUSTOMER SUPPLIED	2
6	361413-PCB_039	361413 .039" PCB - REFERENCE	1 MM THICK	CUSTOMER SUPPLIED	1
5	361413-PCB_062	361413 .062" PCB - REFERENCE	.062" THICK	CUSTOMER SUPPLIED	1
4	361413-WALL	361413 WALL CRADLE - STANDARD	ABS	BLACK or WHITE	1
3	361413-HATCH	361413 HATCH - STANDARD	ABS	BLACK or WHITE	1
2	361413-COVER	361413 COVER - STANDARD	ABS	BLACK or WHITE	1
1	361413-BASE	361413 BASE - STANDARD	ABS	BLACK or WHITE	1

THIRD ANGLE PROJECTION DO NOT SCALE DRAWING	TOLERANCES: UNLESS OTHERWISE SPECIFIED DIMENSIONS ARE IN U.S. INCHES. X.XX = .015 X.XXXX = .001 X.XXX = .010 X.X" = 1°	NEW AGE ENCLOSURES 2240 South Thornburg Street Santa Maria, CA. 93455 ph. (805) 595-1310 fax (805) 595-1024 www.newageenclosures.com		
	Customer's Part No: 361413			
APPROVAL CHECK ENG.	BY DATE	COMPACT AA - STANDARD SXX-361413X-XXX		
SCALE AS NOTED	DRAWN BY M BOYER		SIZE A	
BILL OF MATERIALS		DRAWING NAME 361413_R4_0	SHEET 1 OF 8	REV.DOC 4.0

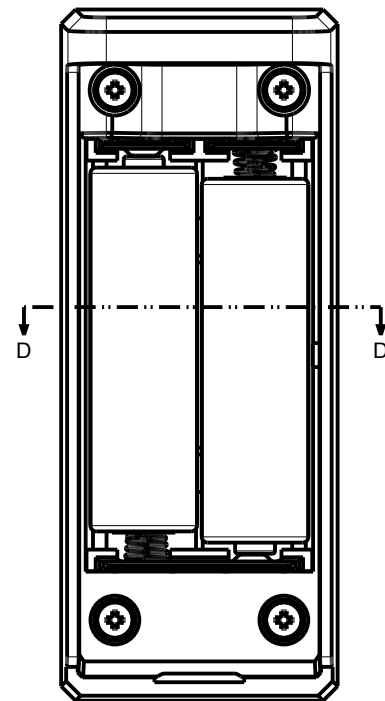
361413 ASSEMBLY



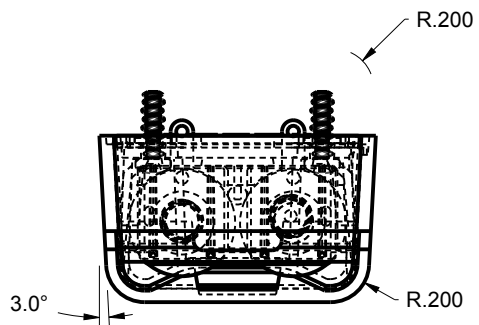
SECTION P-P



SECTION D-D



SCALE 1.000



TOLERANCES: UNLESS OTHERWISE SPECIFIED
DIMENSIONS ARE IN U.S. INCHES.
X.XX = .015 X.XXXX = .001
X.XXX = .010 X.X° = 1°

NEW AGE ENCLOSURES
Customer's Part No: 361413

APPROVAL	BY	DATE
CHECK		
ENG.		
SCALE	AS NOTED	

DRAWN BY
M BOYER 2014-May-02

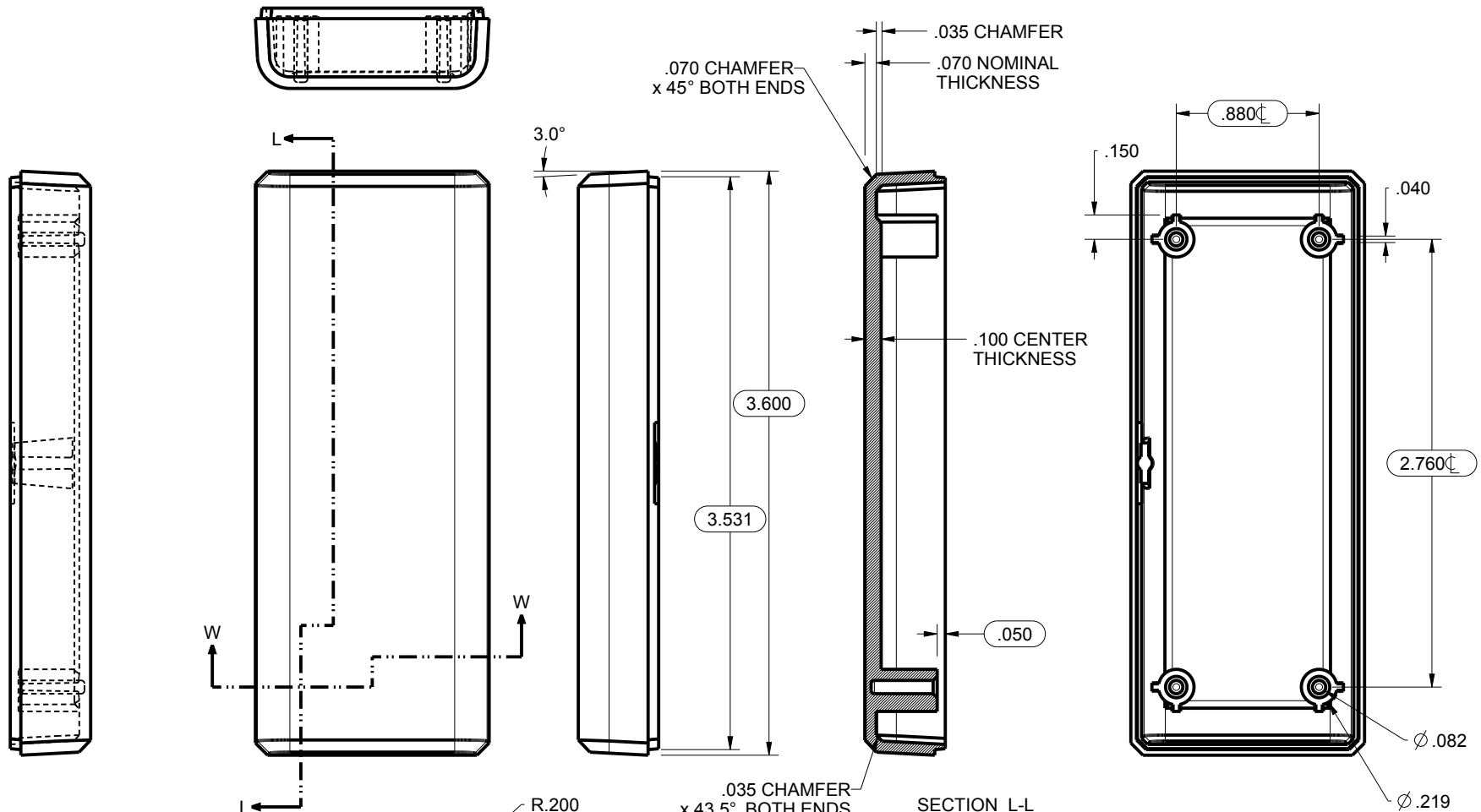
NEW AGE ENCLOSURES

2240 South Thornburg Street Santa Maria, CA. 93455
ph. (805) 595-1310 fax (805) 595-1024
www.newageenclosures.com

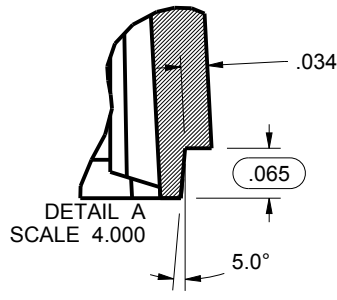
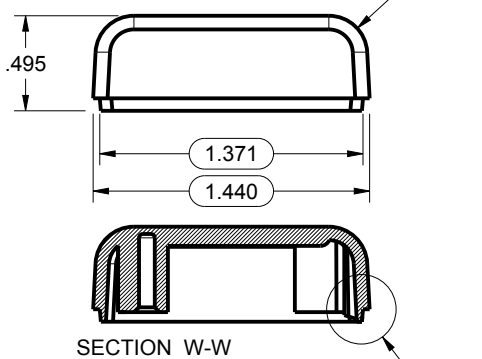
COMPACT AA - STANDARD
SXX-361413X-XXX

SIZE A	DRAWING NAME 361413_R4_0	SHEET 2 OF 8	REV.DOC 4.0
-----------	-----------------------------	-----------------	----------------

361413 COVER



SCALE 1.000



SEE DETAIL A

TOLERANCES: UNLESS OTHERWISE SPECIFIED
DIMENSIONS ARE IN U.S. INCHES.
X.XX = .015 X.XXXX = .001
X.XXX = .010 X.X° = 1°

NEW AGE ENCLOSURES
Customer's Part No: 361413

APPROVAL	BY	DATE
CHECK		
ENG.		
SCALE	AS NOTED	
DRAWN BY	M BOYER	
	2014-May-02	

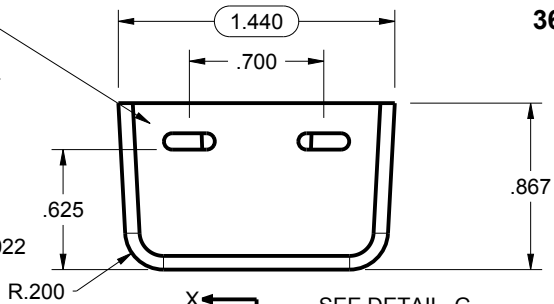
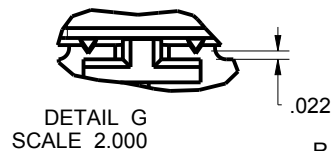
NEW AGE ENCLOSURES
2240 South Thornburg Street Santa Maria, CA. 93455
ph. (805) 595-1310 fax (805) 595-1024
www.newageenclosures.com

COMPACT AA - STANDARD
SXX-361413X-XXX

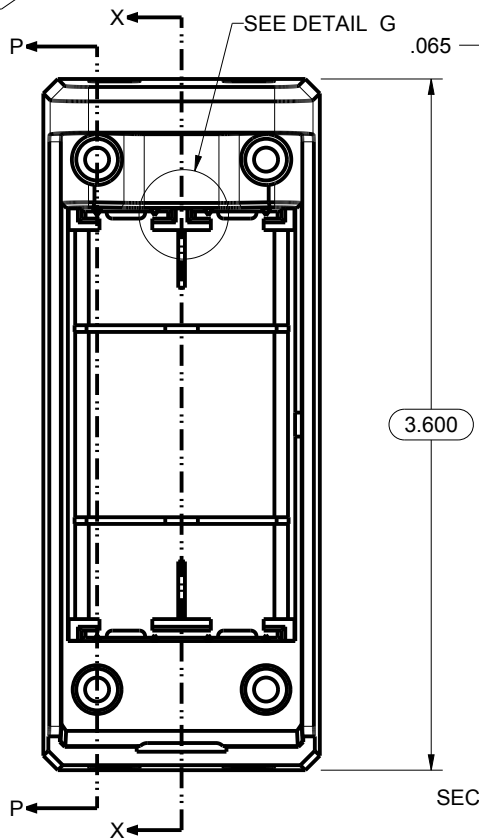
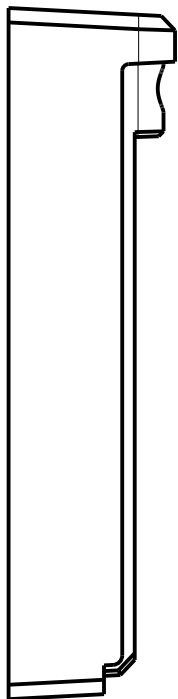
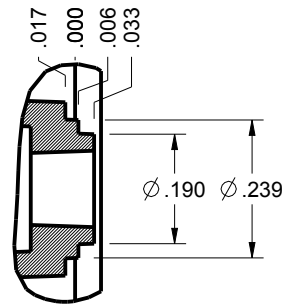
SIZE	DRAWING NAME	SHEET	REV.DOC
A	361413_R4_0	3 OF 8	4.0

361413 BASE

WALL MOUNTING HOLES
NOT PRESENT UNLESS
WALL CRADLE IS ORDERED.

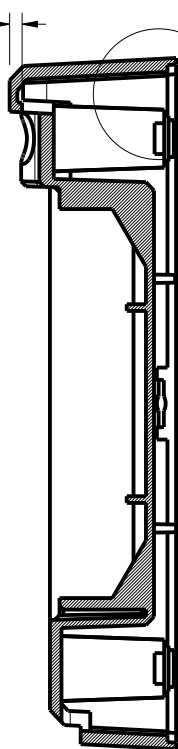


DETAIL E
SCALE 3.000

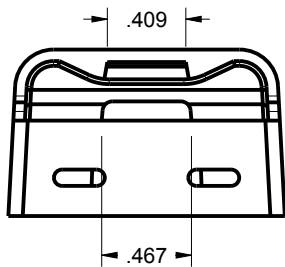
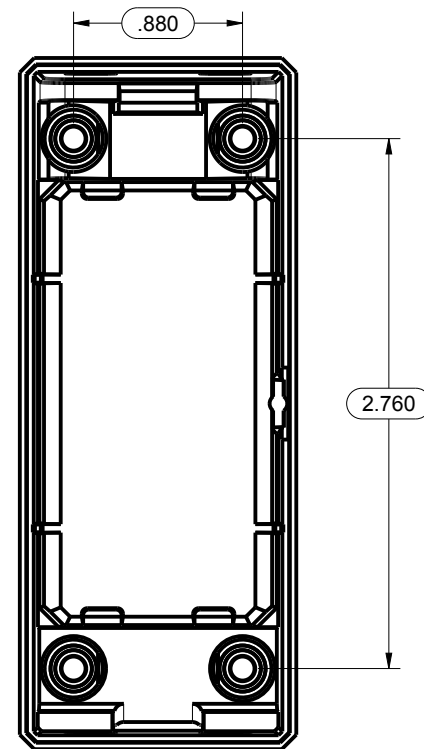


SEE DETAIL D

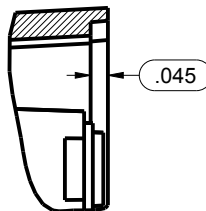
SEE DETAIL E



2.026



DETAIL D
SCALE 2.000



TOLERANCES: UNLESS OTHERWISE SPECIFIED
DIMENSIONS ARE IN U.S. INCHES.

X.XX = .015 X.XXXX = .001
X.XXX = .010 X.X° = 1°

NEW AGE ENCLOSURES
2240 South Thornburg Street Santa Maria, CA. 93455
ph. (805) 595-1310 fax (805) 595-1024

www.newageenclosures.com

Customer's Part No: 361413

APPROVAL	BY	DATE
CHECK		
ENG.		
SCALE	AS NOTED	

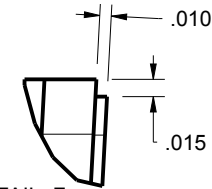
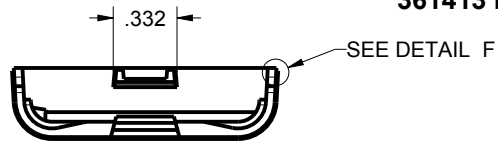
COMPACT AA - STANDARD
SXX-361413X-XXX

DRAWN BY
M BOYER 2014-May-02

SIZE A DRAWING NAME
361413_R4_0

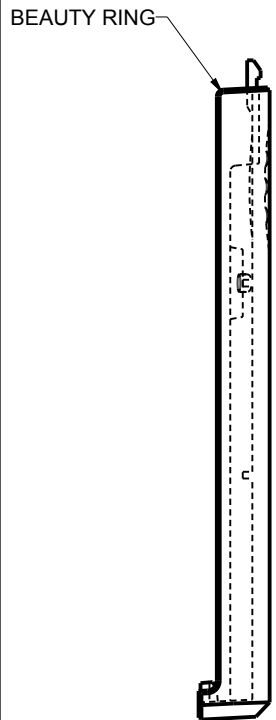
SHEET 4 OF 8 REV.DOC 4.0

361413 HATCH

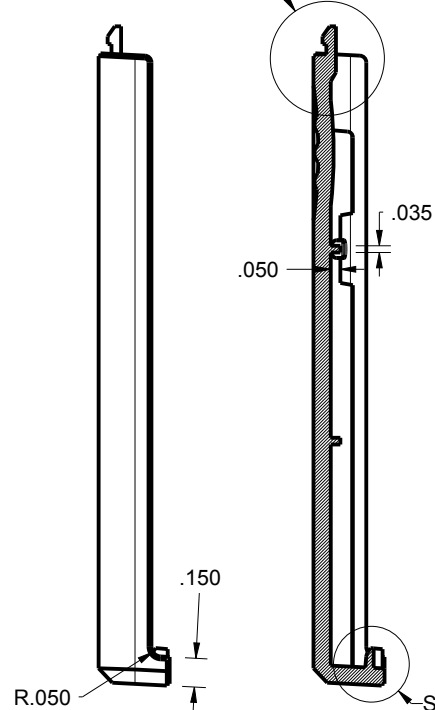
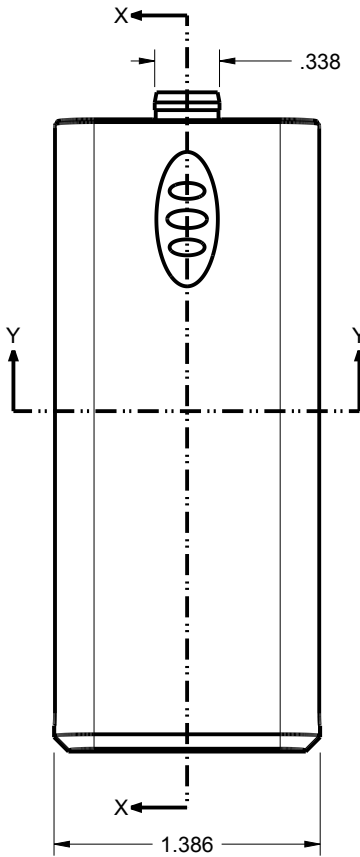


DETAIL F
SCALE 6.000

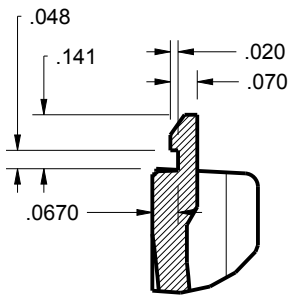
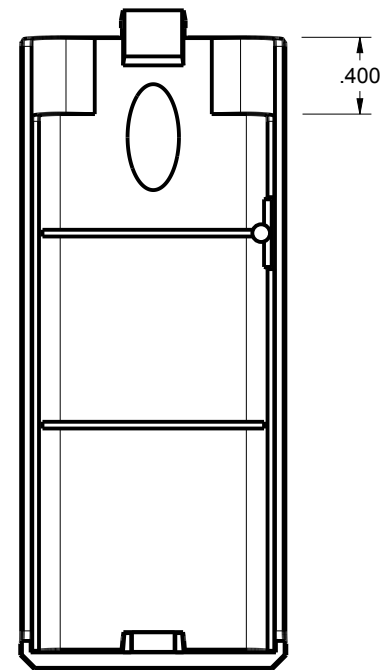
SEE DETAIL B



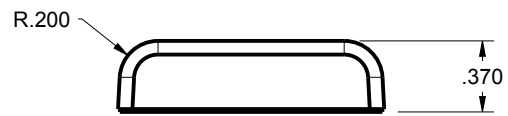
SCALE 1.000



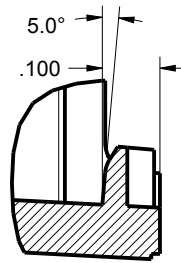
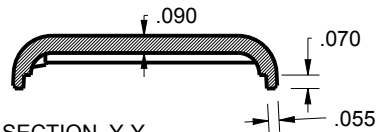
SECTION X-X



DETAIL B
SCALE 2.000



SECTION Y-Y



DETAIL C
SCALE 3.000

TOLERANCES: UNLESS OTHERWISE SPECIFIED DIMENSIONS ARE IN U.S. INCHES.		
X.XX = .015 X.XXXX = .001		
X.XXX = .010 X.X° = 1°		
NEW AGE ENCLOSURES		
Customer's Part No: 361413		
APPROVAL	BY	DATE
CHECK		
ENG.		
SCALE	AS NOTED	
DRAWN BY	2014-May-02	SIZE
M BOYER		A

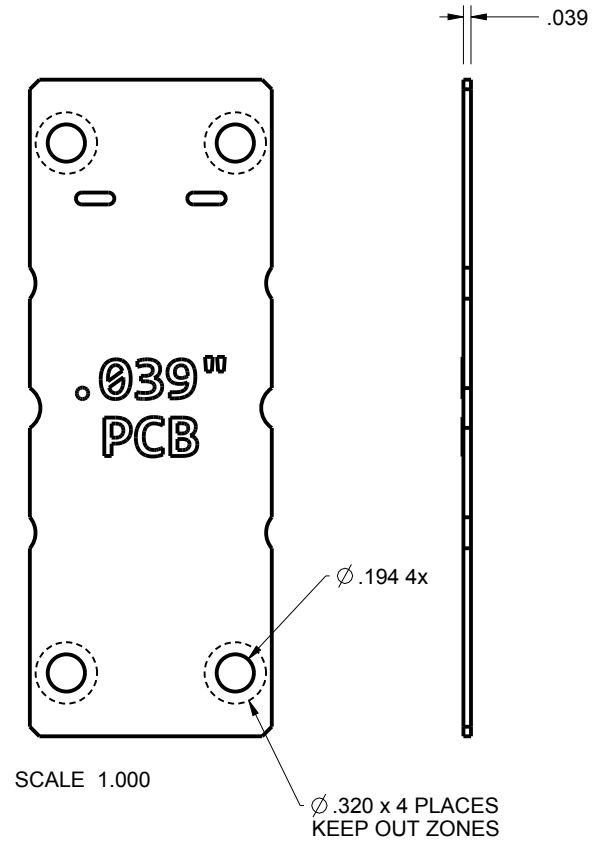
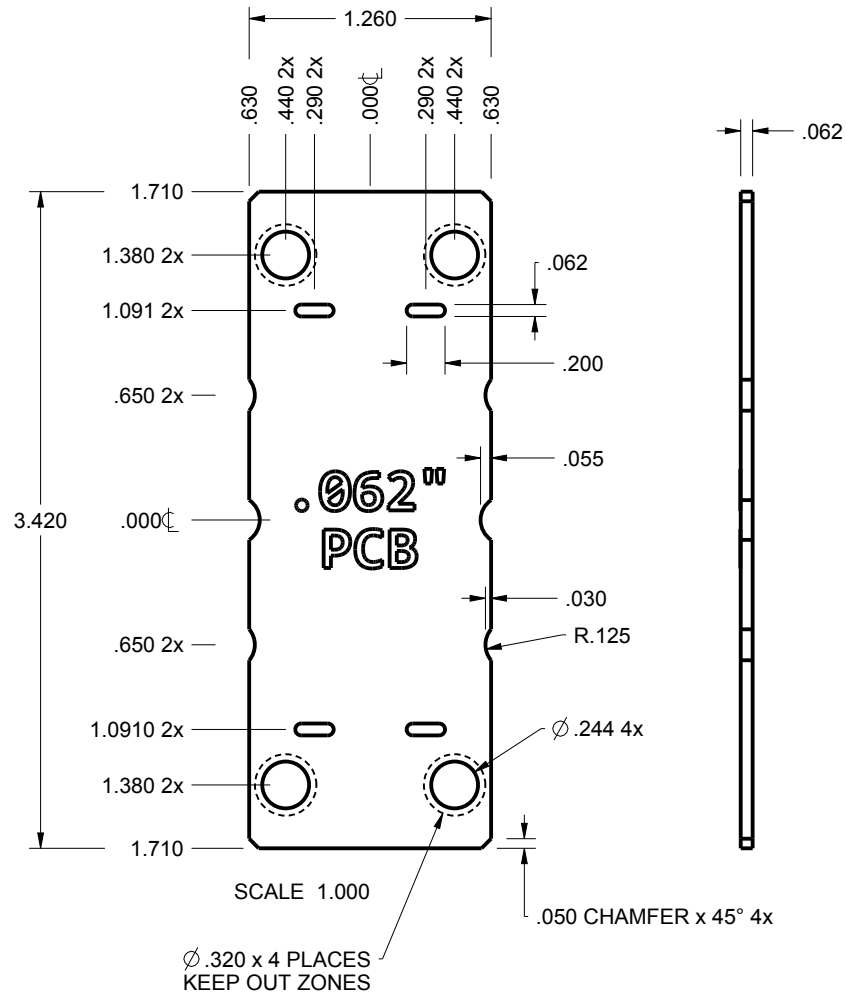
NEW AGE ENCLOSURES
 2240 South Thornburg Street Santa Maria, CA. 93455
 ph. (805) 595-1310 fax (805) 595-1024
www.newageenclosures.com

COMPACT AA - STANDARD
SXX-361413X-XXX

SIZE	DRAWING NAME	SHEET	REV.DOC
A	361413_R4_0	5 OF 8	4.0

361413 PCB - CUSTOMER SUPPLIED

PCB SIZES ARE RECOMMENDATIONS ONLY. FINAL SIZES AND VERIFICATION OF ITS FIT ARE THE SOLE RESPONSIBILITY OF THE OEM.



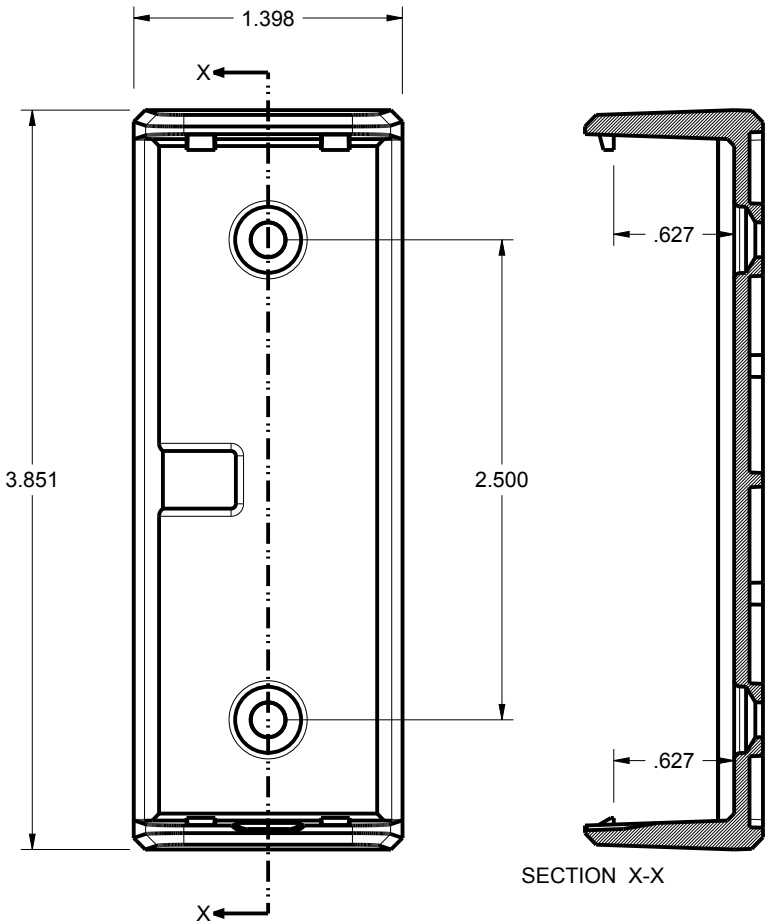
THIS ENCLOSURE CAN ACCOMODATE EITHER PCB THICKNESS

TOLERANCES- UNLESS OTHERWISE SPECIFIED DIMENSIONS ARE IN U.S. INCHES. X.XX = .015 X.XXXX = .001 X.XXX = .010 X.X° = 1°		NEW AGE ENCLOSURES	
NEW AGE ENCLOSURES		2240 South Thornburg Street Santa Maria, CA. 93455 ph. (805) 595-1310 fax (805) 595-1024 www.newageenclosures.com	
Customer's Part No: 361413			
APPROVAL	BY	DATE	
CHECK			
ENG.			
SCALE	AS NOTED		
DRAWN BY	2014-May-02	SIZE	DRAWING NAME
M BOYER		A	361413_R4_0
SHEET	6 OF 8	REV.DOC	4.0

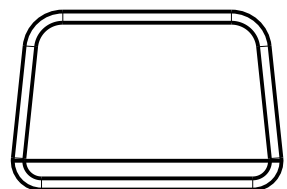
NEW AGE ENCLOSURES
 2240 South Thornburg Street Santa Maria, CA. 93455
 ph. (805) 595-1310 fax (805) 595-1024
 www.newageenclosures.com
COMPACT AA - STANDARD
SXX-361413X-XXX

361413 - 2nd OPERATION DETAILS - 1 of 2

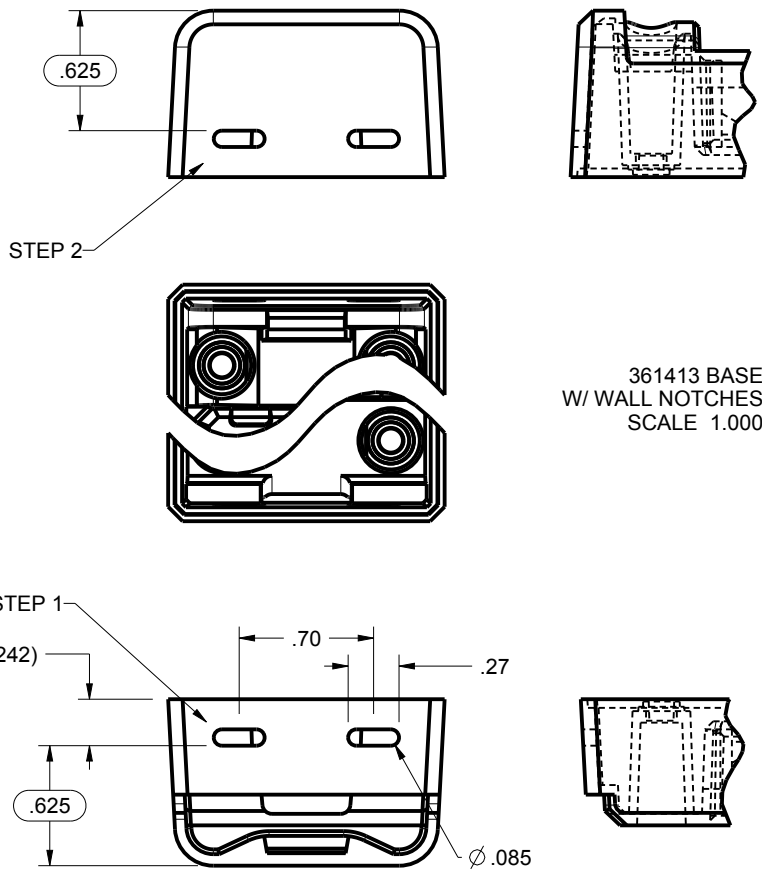
NEW AGE ENCLOSURES DELIVERS YOUR ENCLOSURE MARKET-READY WITH IN-HOUSE CNC MACHINING, PAD PRINTING, ASSEMBLY, AND FULFILLMENT. ALL SURFACES AND AREAS ARE AVAILABLE FOR CNC ALTERATION BY NEW AGE ENCLOSURES CALL (805) 595-1310 FOR PRICING AND SCHEDULE. THE INSIDE RADIUS OF ANY MACHINED FEATURES SHOULD BE NO SMALLER THAN .031"



SECTION X-X



361413 WALL CRADLE
SCALE 1.000



361413 BASE
W/ WALL NOTCHES
SCALE 1.000

TOLERANCES: UNLESS OTHERWISE SPECIFIED
DIMENSIONS ARE IN U.S. INCHES.
X.XX = .015 X.XXXX = .001
X.XXX = .010 X.X° = 1°

NEW AGE ENCLOSURES
Customer's Part No: 361413

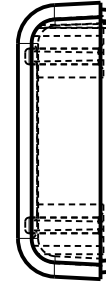
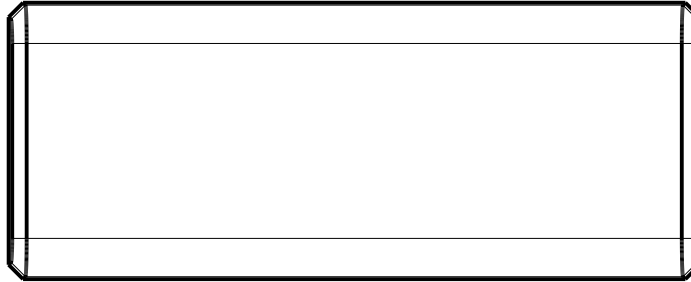
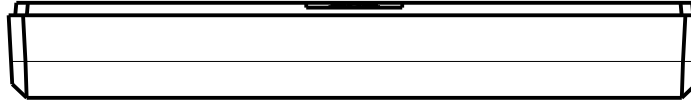
NEW AGE ENCLOSURES
2240 South Thornburg Street Santa Maria, CA. 93455
ph. (805) 595-1310 fax (805) 595-1024
www.newageenclosures.com

SXX-361413K-XXX BASE - ABS, BLACK					
STEP NO	DESCRIPTION	CUTTER	FIXTURE	ORIENTATION	PROGRAM
1-C-C1	WALL NOTCHES	T2 = .062" EM	332	SINGLE	o1401
2-C-C2	WALL NOTCHES	T2 = .062" EM	332	SINGLE	o1401

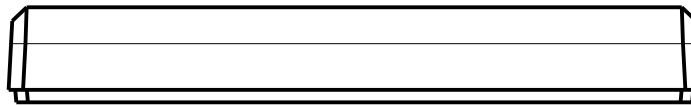
APPROVAL	BY	DATE	COMPACT AA - STANDARD SXX-361413X-XXX	SHEET 7 OF 8	REV.DOC 4.0
CHECK					
ENG.					
SCALE	AS NOTED				
DRAWN BY	M BOYER		SIZE	DRAWING NAME	
	2014-May-02		A	361413_R4_0	

361413 - 2nd OPERATION DETAILS - 2 OF 2

NEW AGE ENCLOSURES DELIVERS YOUR ENCLOSURE MARKET-READY WITH IN-HOUSE
 CNC MACHINING, PAD PRINTING, ASSEMBLY, AND FULFILLEMENT.
 ALL SURFACES AND AREAS ARE AVAILABLE FOR CNC ALTERATION BY NEW AGE ENCLOSURES
 CALL (805) 595-1310 FOR PRICING AND SCHEDULE.
 THE INSIDE RADIUS OF ANY MACHINED FEATURES SHOULD BE NO SMALLER THAN .031"



SCALE 1.000



TOLERANCES: UNLESS OTHERWISE SPECIFIED
 DIMENSIONS ARE IN U.S. INCHES.
 X.XX = .015 X.XXXX = .001
 X.XXX = .010 X.X° = 1°

NEW AGE ENCLOSURES

Customer's Part No: 361413

NEW AGE ENCLOSURES

2240 South Thornburg Street Santa Maria, CA. 93455
 ph. (805) 595-1310 fax (805) 595-1024

www.newageenclosures.com

**COMPACT AA - STANDARD
 SXX-361413X-XXX**

SXX-361413-XXX COVER - ABS, BLACK

STEP NO	DESCRIPTION	CUTTER	FIXTURE	ORIENTATION	PROGRAM
1-C-C1	-	T2 = .062" EM	349	SINGLE	-
2-C-C2	-	T2 = .062" EM	349	-	-

APPROVAL	BY	DATE
CHECK		
ENG.		
SCALE	AS NOTED	
DRAWN BY	M BOYER	
	2014-May-02	

SIZE	DRAWING NAME	SHEET	REV.DOC
A	361413_R4_0	8 OF 8	4.0