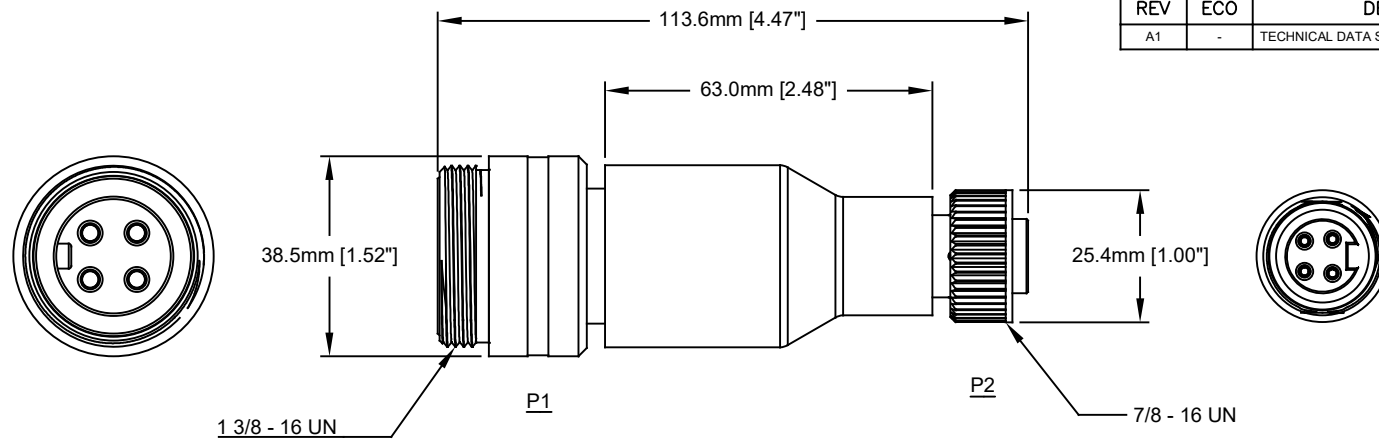
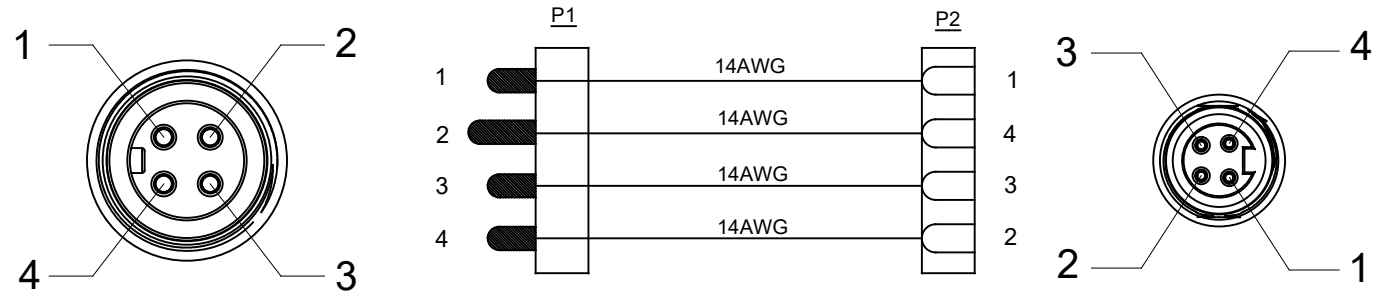


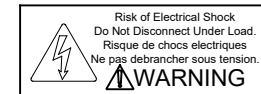
REVISIONS					
REV	ECO	DESCRIPTION	DATE	BY	APPR
A1	-	TECHNICAL DATA SHEET RELEASE	12-MAY-14	KMM	RFC



**WIRING DIAGRAM**



Amphenol P/N	MOLEX	TURCK
P28972	1C4030-001	GSDMRKM44.0



**TECHNICAL DATA:**

- MATERIALS:**  
 COUPLING NUT: MACHINED ALUMINUM, ANODIZED  
 INSULATION INSERT: THERMOPLASTIC, UL 94/V-0  
 CONTACT: GOLD FLASH PLATING OVER COPPER ALLOY  
 OVERMOLD MATERIAL: THERMOPLASTIC COLOR: BLACK  
 CONDUCTOR INSULATION: PVC
- ELECTRICAL DATA:**  
 CURRENT (MAX): 15A  
 VOLTAGE (MAX): 600V AC/DC  
 INSULATION RESISTANCE (MIN): 5000M OHMS  
 DIELECTRIC TEST VOLTAGE: 2200V  
 SHORT CIRCUIT AMPERAGE RATING: 65ka - BREAKERS AND FUSES
- MECHANICAL DATA:**  
 TEMPERATURE RANGE: -40°C TO 90°C  
 PROTECTION: IP67 (MATED CONDITION)  
 MATING CYCLES: >500  
 VIBRATION RESISTANCE PER MIL-STD-202 METHOD 204  
 THERMAL SHOCK PER MIL-STD-202 METHOD 207  
 48 HOUR SALT SPRAY PER MIL-STD-202 METHOD 101
- RoHS COMPLIANT
- UL 2237 LISTED ASSEMBLY  
UL FILE NUMBERS: E339703

QUANTITY	PART NUMBER	DESCRIPTION	ITEM
<b>MATERIALS LIST</b>			
<small>UNLESS OTHERWISE SPECIFIED</small> 1) All dimensions are in metric (mm). 2) Tolerances are as follows: 1 PL DEC ±0.30   Fractions ±1/64 2 PL DEC ±0.15   Angles ±1° 3 PL DEC ±0.08 3) Note reference =		<b>SIGNATURES</b> DRAWN: KMM CHECKED: MRF ENGINEER: KMM APPROVAL: RFC	<b>DATE</b> 12-MAY-14 12-MAY-14 12-MAY-14
<b>MATERIAL SPECIFICATIONS:</b> THIS DRAWING IS SUPPLIED FOR INFORMATION ONLY. DESIGN FEATURES, SPECIFICATIONS AND PERFORMANCE DATA SHOWN HEREON ARE THE PROPERTY OF THE AMPHENOL CORPORATION. NO RIGHTS OF REPRODUCTION ARE IMPLIED. ALL DIMENSIONS ARE SUBJECT TO NORMAL MANUFACTURING VARIATIONS.		<div style="text-align: center;">             Sine Systems - www.amphenol-sine.com            44724 Morley Drive            Clinton Township, MI 48036         </div>	
<b>PROCESS SPECIFICATIONS:</b>		CUSTOMER:	M35 POWERBOSS LITE, 4 PIN, REDUCER MALE M35 TO FEMALE M22, BLACK
<b>NEXT ASSY:</b>		SIZE: C- TYPE: P28972 SCALE: FULL	DWG NO: P28972 REVISION: A1 SHEET 1 OF 1

TITLE: M35 4 PIN, REDUCER, M-M35 TO F-M22, BLACK  
 DWG NO: C-P28972  
 REV: A1  
 SR: 1  
 OF: 1