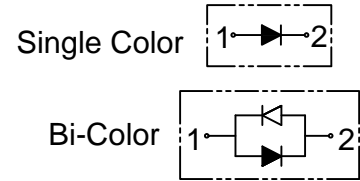
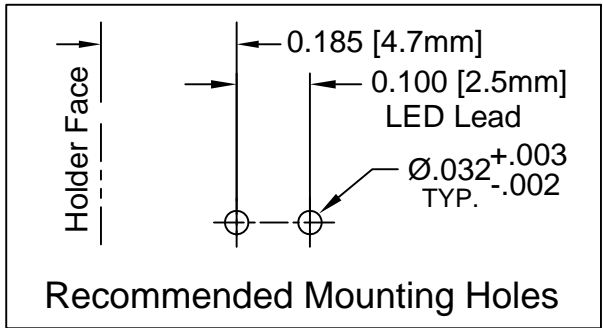
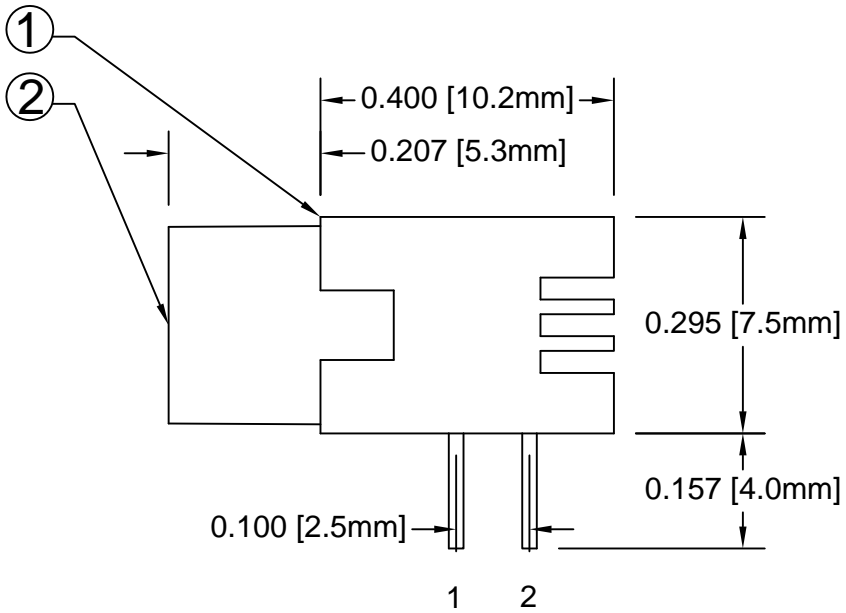
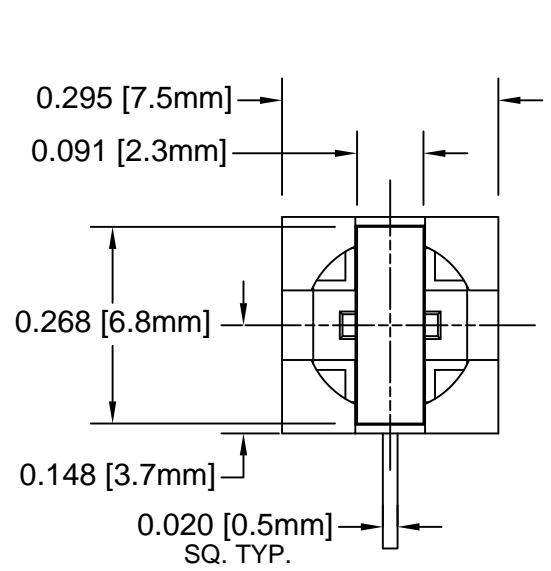


ITEM	Q'TY	PART NUMBER	PART DESCRIPTION
1	1	922-343	Multi-Functional Single LED Holder
2	1	R7XX	2x7mm Rectangular LED, See Page 2

REV.	DESCRIPTION	DATE	APPROVED
B	Engineering Update w/o Changes	03/08/04	M. C.
C	Added R7BC-XX LEDs	09/28/06	M. C.
D	Engineering Update w/o Changes	07/30/16	J. C.



BI-COLOR POLARITY		
LED P/N	(1) CATHODE	(2) CATHODE
R7BC	GREEN	RED
R7BC-Y/G	GREEN	YELLOW
R7BC-R/Y	YELLOW	RED

ABSOLUTE MAXIMUM RATINGS (Ta=25° C)

REVERSE VOLTAGE _____ 5V
 REVERSE CURRENT _____ 100uA
 OPERATING TEMPERATURE RANGE _____ -25° C - 85° C
 STORAGE TEMPERATURE _____ -30° C - 100° C
 LEAD SOLDERING TEMPERATURE(1/16" FROM BODY) _____ 260° C FOR 5 SECONDS

STANDARD TOLERANCE (UNLESS OTHERWISE SPECIFIED)	
DECIMALS	ANGULAR
.X ± .1	X° ± 1°
.XX ± .02	
.XXX ± .010	

BIVAR[®]
 4 THOMAS, IRVINE, CA. 92618
 TEL: (949) 951-8808 FAX: (949) 951-3974

TITLE: RECTANGULAR 2X7MM VERT.
90° SINGLE-LEVEL LED ASSY


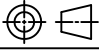
DESIGNED: D. Green **DATE:** 10/10/03 **PART NO:** H921VR7XX **REVISION:** D

CHECKED: M. Chen **DATE:** 10/10/03 **CAGE CODE :** 32559 **SHEET #** 1 **OF** 2

CAD GENERATED DOCUMENT. DO NOT MEASURE DRAWING.

REV.	DESCRIPTION	DATE	APPROVED
	SEE SHEET #1		

LED Assy. No.	Peak Wave Length λ_p (nm)	Emitted Color	Lens Appearance	Abs. Max. Rating	Electro-Optical Data @ 20mA			Viewing Angle $2\theta \frac{1}{2}$ (Deg)	LED P/N
				If (mA)	Vf (V)		Iv (mcd)		
					TYP	MAX	TYP		
H921VR7GD	565	GREEN	DIFFUSED	30	2.2	2.6	7	125	R7GD
H921VR7YD	585	YELLOW	DIFFUSED	30	2.1	2.6	5	125	R7YD
H921VR7RD	655	RED	DIFFUSED	40	1.7	2.0	1	125	R7RD
H921VR7BC	635	RED	DIFFUSED	30	2.0	2.6	6	120	R7BC
	568	GREEN		30	2.2	2.6	6		
H921VR7BC-Y/G	585	YELLOW	DIFFUSED	30	2.1	2.6	5	120	R7BC-Y/G
	568	GREEN		30	2.2	2.6	6		
H921VR7BC-R/Y	640	RED	DIFFUSED	30	2.0	2.6	6	120	R7BC-R/Y
	585	YELLOW		30	2.1	2.6	6		

STANDARD TOLERANCE (UNLESS OTHERWISE SPECIFIED) $\pm 10\%$ ALL VALUES ANGULAR		 BIVAR [®] 4 THOMAS, IRVINE, CA. 92618 TEL: (949) 951-8808 FAX: (949) 951-3974		
				TITLE: RECTANGULAR 2X7MM VERT. 90° SINGLE-LEVEL LED ASSY
DESIGNED: D. Green	DATE: 10/10/03	PART NO: H921VR7XX		REVISION: D
CHECKED: M. Chen	DATE: 10/10/03	CAGE CODE : 32559		SHEET # 2 OF 2
CAD GENERATED DOCUMENT. DO NOT MEASURE DRAWING.				