


Arm[®] Cortex[®]-M7 32b MCU+FPU, 462DMIPS, up to 2MB Flash/
512+16+4KB RAM, USB OTG HS/FS, 28 com IF, LCD, DSI

Datasheet - production data

Features

Includes ST state-of-the-art patented technology

- Core: Arm[®] 32-bit Cortex[®]-M7 CPU with DPFPU, ART Accelerator and L1-cache: 16 Kbytes I/D cache, allowing 0-wait state execution from embedded Flash and external memories, up to 216 MHz, MPU, 462 DMIPS/2.14 DMIPS/MHz (Dhrystone 2.1), and DSP instructions.
 - Memories
 - Up to 2 Mbytes of Flash memory organized into two banks allowing read-while-write
 - SRAM: 512 Kbytes (including 128 Kbytes of data TCM RAM for critical real-time data) + 16 Kbytes of instruction TCM RAM (for critical real-time routines) + 4 Kbytes of backup SRAM
 - Flexible external memory controller with up to 32-bit data bus: SRAM, PSRAM, SDRAM/LPSDR SDRAM, NOR/NAND memories
 - Dual mode Quad-SPI
 - Graphics
 - Chrom-ART Accelerator (DMA2D), graphical hardware accelerator enabling enhanced graphical user interface
 - Hardware JPEG codec
 - LCD-TFT controller supporting up to XGA resolution
 - MIPI[®] DSI host controller supporting up to 720p 30 Hz resolution
 - Clock, reset and supply management
 - 1.7 V to 3.6 V application supply and I/Os
 - POR, PDR, PVD and BOR
 - Dedicated USB power
 - 4-to-26 MHz crystal oscillator
 - Internal 16 MHz factory-trimmed RC (1% accuracy)
- 

| | | |
|----------------------|-----------------------|----------------------------|
| LQFP100 (14 × 14 mm) | UFBGA176 (10 × 10 mm) | WLCSP180 (0.4 mm pitch) |
| LQFP144 (20 × 20 mm) | TFBGA216 (13 × 13 mm) | |
| LQFP176 (24 × 24 mm) | TFBGA100 (8 × 8 mm) | |
| LQFP208 (28 × 28 mm) | | |
- 32 kHz oscillator for RTC with calibration
 - Internal 32 kHz RC with calibration
 - Low-power
 - Sleep, Stop and Standby modes
 - V_{BAT} supply for RTC, 32×32 bit backup registers + 4 Kbytes backup SRAM
 - 3×12-bit, 2.4 MSPS ADC: up to 24 channels
 - Digital filters for sigma delta modulator (DFSDM), 8 channels / 4 filters
 - 2×12-bit D/A converters
 - General-purpose DMA: 16-stream DMA controller with FIFOs and burst support
 - Up to 18 timers: up to thirteen 16-bit (1x low-power 16-bit timer available in Stop mode) and two 32-bit timers, each with up to 4 IC/OC/PWM or pulse counter and quadrature (incremental) encoder input. All 15 timers running up to 216 MHz. 2x watchdogs, SysTick timer
 - Debug mode
 - SWD and JTAG interfaces
 - Cortex[®]-M7 Trace Macrocell[™]
 - Up to 168 I/O ports with interrupt capability
 - Up to 164 fast I/Os up to 108 MHz
 - Up to 166 5 V-tolerant I/Os

- Up to 28 communication interfaces
 - Up to 4 I²C interfaces (SMBus/PMBus)
 - Up to 4 USARTs/4 UARTs (12.5 Mbit/s, ISO7816 interface, LIN, IrDA, modem control)
 - Up to 6 SPIs (up to 54 Mbit/s), 3 with muxed simplex I²S for audio
 - 2 x SAIs (serial audio interface)
 - 3 x CANs (2.0B Active) and 2x SDMMCs
 - SPDIFRX interface
 - HDMI-CEC
 - MDIO slave interface
- Advanced connectivity
 - USB 2.0 full-speed device/host/OTG controller with on-chip PHY
 - USB 2.0 high-speed/full-speed device/host/OTG controller with dedicated DMA, on-chip full-speed PHY and ULPI
 - 10/100 Ethernet MAC with dedicated DMA: supports IEEE 1588v2 hardware, MII/RMII
- 8- to 14-bit camera interface up to 54 Mbyte/s
- True random number generator
- CRC calculation unit
- RTC: subsecond accuracy, hardware calendar
- 96-bit unique ID

Table 1. Device summary

| Reference | Part number |
|-------------|--|
| STM32F765xx | STM32F765BI, STM32F765BG, STM32F765NI, STM32F765NG, STM32F765II, STM32F765IG, STM32F765ZI, STM32F765ZG, STM32F765VI, STM32F765VG |
| STM32F767xx | STM32F767BG, STM32F767BI, STM32F767IG, STM32F767II, STM32F767NG, STM32F767NI, STM32F767VG, STM32F767VI, STM32F767ZG, STM32F767ZI |
| STM32F768Ax | STM32F768AI |
| STM32F769xx | STM32F769AG, STM32F769AI, STM32F769BG, STM32F769BI, STM32F769IG, STM32F769II, STM32F769NG, STM32F769NI |

Contents

| | | |
|----------|---|-----------|
| 1 | Introduction | 14 |
| 2 | Description | 15 |
| 3 | Functional overview | 21 |
| 3.1 | Arm® Cortex®-M7 with FPU | 21 |
| 3.2 | Memory protection unit | 21 |
| 3.3 | Embedded Flash memory | 22 |
| 3.4 | CRC (cyclic redundancy check) calculation unit | 22 |
| 3.5 | Embedded SRAM | 22 |
| 3.6 | AXI-AHB bus matrix | 23 |
| 3.7 | DMA controller (DMA) | 24 |
| 3.8 | Flexible memory controller (FMC) | 25 |
| 3.9 | Quad-SPI memory interface (QUADSPI) | 25 |
| 3.10 | LCD-TFT controller | 26 |
| 3.11 | Chrom-ART Accelerator (DMA2D) | 26 |
| 3.12 | Nested vectored interrupt controller (NVIC) | 26 |
| 3.13 | JPEG codec (JPEG) | 27 |
| 3.14 | External interrupt/event controller (EXTI) | 27 |
| 3.15 | Clocks and startup | 27 |
| 3.16 | Boot modes | 28 |
| 3.17 | Power supply schemes | 28 |
| 3.18 | Power supply supervisor | 30 |
| 3.18.1 | Internal reset ON | 30 |
| 3.18.2 | Internal reset OFF | 31 |
| 3.19 | Voltage regulator | 32 |
| 3.19.1 | Regulator ON | 32 |
| 3.19.2 | Regulator OFF | 33 |
| 3.19.3 | Regulator ON/OFF and internal reset ON/OFF availability | 36 |
| 3.20 | Real-time clock (RTC), backup SRAM and backup registers | 36 |
| 3.21 | Low-power modes | 37 |
| 3.22 | V _{BAT} operation | 38 |

| | | |
|--------|--|----|
| 3.23 | Timers and watchdogs | 38 |
| 3.23.1 | Advanced-control timers (TIM1, TIM8) | 40 |
| 3.23.2 | General-purpose timers (TIMx) | 40 |
| 3.23.3 | Basic timers TIM6 and TIM7 | 40 |
| 3.23.4 | Low-power timer (LPTIM1) | 41 |
| 3.23.5 | Independent watchdog | 41 |
| 3.23.6 | Window watchdog | 41 |
| 3.23.7 | SysTick timer | 41 |
| 3.24 | Inter-integrated circuit interface (I ² C) | 42 |
| 3.25 | Universal synchronous/asynchronous receiver transmitters (USART) | 43 |
| 3.26 | Serial peripheral interface (SPI)/inter- integrated sound interfaces (I2S) | 44 |
| 3.27 | Serial audio interface (SAI) | 44 |
| 3.28 | SPDIFRX Receiver Interface (SPDIFRX) | 45 |
| 3.29 | Audio PLL (PLLI2S) | 45 |
| 3.30 | Audio and LCD PLL (PLLSAI) | 45 |
| 3.31 | SD/SDIO/MMC card host interface (SDMMC) | 46 |
| 3.32 | Ethernet MAC interface with dedicated DMA and IEEE 1588 support | 46 |
| 3.33 | Controller area network (bxCAN) | 47 |
| 3.34 | Universal serial bus on-the-go full-speed (OTG_FS) | 47 |
| 3.35 | Universal serial bus on-the-go high-speed (OTG_HS) | 47 |
| 3.36 | High-definition multimedia interface (HDMI) - consumer electronics control (CEC) | 48 |
| 3.37 | Digital camera interface (DCMI) | 48 |
| 3.38 | Management Data Input/Output (MDIO) slaves | 49 |
| 3.39 | Random number generator (RNG) | 49 |
| 3.40 | General-purpose input/outputs (GPIOs) | 49 |
| 3.41 | Analog-to-digital converters (ADCs) | 49 |
| 3.42 | Digital filter for Sigma-Delta Modulators (DFSDM) | 50 |
| 3.43 | Temperature sensor | 52 |
| 3.44 | Digital-to-analog converter (DAC) | 52 |
| 3.45 | Serial wire JTAG debug port (SWJ-DP) | 52 |
| 3.46 | Embedded Trace Macrocell™ | 52 |
| 3.47 | DSI Host (DSIHOST) | 53 |

| | | |
|----------|---|------------|
| 4 | Pinouts and pin description | 55 |
| 5 | Memory mapping | 103 |
| 6 | Electrical characteristics | 104 |
| 6.1 | Parameter conditions | 104 |
| 6.1.1 | Minimum and maximum values | 104 |
| 6.1.2 | Typical values | 104 |
| 6.1.3 | Typical curves | 104 |
| 6.1.4 | Loading capacitor | 104 |
| 6.1.5 | Pin input voltage | 104 |
| 6.1.6 | Power supply scheme | 105 |
| 6.1.7 | Current consumption measurement | 107 |
| 6.2 | Absolute maximum ratings | 107 |
| 6.3 | Operating conditions | 109 |
| 6.3.1 | General operating conditions | 109 |
| 6.3.2 | VCAP1/VCAP2 external capacitor | 111 |
| 6.3.3 | Operating conditions at power-up / power-down (regulator ON) | 112 |
| 6.3.4 | Operating conditions at power-up / power-down (regulator OFF) | 112 |
| 6.3.5 | Reset and power control block characteristics | 112 |
| 6.3.6 | Over-drive switching characteristics | 114 |
| 6.3.7 | Supply current characteristics | 114 |
| 6.3.8 | Wakeup time from low-power modes | 132 |
| 6.3.9 | External clock source characteristics | 133 |
| 6.3.10 | Internal clock source characteristics | 138 |
| 6.3.11 | PLL characteristics | 140 |
| 6.3.12 | PLL spread spectrum clock generation (SSCG) characteristics | 142 |
| 6.3.13 | MIPI D-PHY characteristics | 144 |
| 6.3.14 | MIPI D-PHY PLL characteristics | 147 |
| 6.3.15 | MIPI D-PHY regulator characteristics | 148 |
| 6.3.16 | Memory characteristics | 149 |
| 6.3.17 | EMC characteristics | 152 |
| 6.3.18 | Absolute maximum ratings (electrical sensitivity) | 153 |
| 6.3.19 | I/O current injection characteristics | 154 |
| 6.3.20 | I/O port characteristics | 155 |
| 6.3.21 | NRST pin characteristics | 161 |
| 6.3.22 | TIM timer characteristics | 162 |

| | | |
|----------|---|------------|
| 6.3.23 | RTC characteristics | 162 |
| 6.3.24 | 12-bit ADC characteristics | 162 |
| 6.3.25 | Temperature sensor characteristics | 168 |
| 6.3.26 | V _{BAT} monitoring characteristics | 168 |
| 6.3.27 | Reference voltage | 168 |
| 6.3.28 | DAC electrical characteristics | 169 |
| 6.3.29 | Communications interfaces | 171 |
| 6.3.30 | FMC characteristics | 188 |
| 6.3.31 | Quad-SPI interface characteristics | 208 |
| 6.3.32 | Camera interface (DCMI) timing specifications | 211 |
| 6.3.33 | LCD-TFT controller (LTDC) characteristics | 212 |
| 6.3.34 | Digital filter for Sigma-Delta Modulators (DFSDM) characteristics | 214 |
| 6.3.35 | DFSDM timing diagrams | 216 |
| 6.3.36 | SD/SDIO MMC card host interface (SDMMC) characteristics | 217 |
| 7 | Package information | 219 |
| 7.1 | LQFP100 package information | 219 |
| 7.2 | TFBGA100 package information | 222 |
| 7.3 | LQFP144 package information | 225 |
| 7.4 | LQFP176 package information | 229 |
| 7.5 | UFBGA176+25 package information | 233 |
| 7.6 | WLCSP180 package information | 236 |
| 7.7 | LQFP208 package information | 239 |
| 7.8 | TFBGA216 package information | 243 |
| 7.9 | Thermal characteristics | 246 |
| 8 | Ordering information | 247 |
| | Appendix A Recommendations when using internal reset OFF | 248 |
| A.1 | Operating conditions | 248 |
| | Revision history | 249 |

List of tables

| | | |
|-----------|---|-----|
| Table 1. | Device summary | 2 |
| Table 2. | STM32F765xx, STM32F767xx, STM32F768Ax and STM32F769xx features and peripheral counts | 17 |
| Table 3. | Voltage regulator configuration mode versus device operating mode | 33 |
| Table 4. | Regulator ON/OFF and internal reset ON/OFF availability | 36 |
| Table 5. | Voltage regulator modes in stop mode | 37 |
| Table 6. | Timer feature comparison | 39 |
| Table 7. | I2C implementation | 42 |
| Table 8. | USART implementation | 43 |
| Table 9. | DFSDM implementation | 51 |
| Table 10. | Legend/abbreviations used in the pinout table | 66 |
| Table 11. | STM32F765xx, STM32F767xx, STM32F768Ax and STM32F769xx pin and ball definitions | 66 |
| Table 12. | FMC pin definition | 86 |
| Table 13. | STM32F765xx, STM32F767xx, STM32F768Ax and STM32F769xx alternate function mapping | 89 |
| Table 14. | Voltage characteristics | 107 |
| Table 15. | Current characteristics | 108 |
| Table 16. | Thermal characteristics | 108 |
| Table 17. | General operating conditions | 109 |
| Table 18. | Limitations depending on the operating power supply range | 111 |
| Table 19. | VCAP1/VCAP2 operating conditions | 112 |
| Table 20. | Operating conditions at power-up / power-down (regulator ON) | 112 |
| Table 21. | Operating conditions at power-up / power-down (regulator OFF) | 112 |
| Table 22. | Reset and power control block characteristics | 113 |
| Table 23. | Over-drive switching characteristics | 114 |
| Table 24. | Typical and maximum current consumption in Run mode, code with data processing running from ITCM RAM, regulator ON | 115 |
| Table 25. | Typical and maximum current consumption in Run mode, code with data processing running from Flash memory (Single bank mode, ART ON except prefetch / L1-cache ON) or SRAM on AXI (L1-cache ON), regulator ON | 116 |
| Table 26. | Typical and maximum current consumption in Run mode, code with data processing running from Flash memory (Dual bank mode, ART ON except prefetch / L1-cache ON), regulator ON | 117 |
| Table 27. | Typical and maximum current consumption in Run mode, code with data processing running from Flash memory (Single bank mode) or SRAM on AXI (L1-cache disabled), regulator ON | 118 |
| Table 28. | Typical and maximum current consumption in Run mode, code with data processing running from Flash memory (Dual bank mode), regulator ON | 119 |
| Table 29. | Typical and maximum current consumption in Run mode, code with data processing running from Flash memory (Single bank mode) on ITCM interface (ART disabled), regulator ON | 120 |
| Table 30. | Typical and maximum current consumption in Run mode, code with data processing running from Flash memory (Dual bank mode) on ITCM interface (ART disabled), regulator ON | 121 |
| Table 31. | Typical and maximum current consumption in Run mode, code with data processing running from Flash memory (Single bank mode, ART ON except prefetch / L1-cache ON) or SRAM on AXI (L1-cache ON), regulator OFF | 122 |

| | | |
|-----------|--|-----|
| Table 32. | Typical and maximum current consumption in Run mode, code with data processing running from Flash memory (Dual bank mode, ART ON except prefetch / L1-cache ON) or SRAM on AXI (L1-cache ON), regulator OFF. | 122 |
| Table 33. | Typical and maximum current consumption in Sleep mode, regulator ON. | 123 |
| Table 34. | Typical and maximum current consumption in Sleep mode, regulator OFF. | 124 |
| Table 35. | Typical and maximum current consumptions in Stop mode | 124 |
| Table 36. | Typical and maximum current consumptions in Standby mode | 125 |
| Table 37. | Typical and maximum current consumptions in V _{BAT} mode. | 126 |
| Table 38. | Switching output I/O current consumption | 127 |
| Table 39. | Peripheral current consumption | 129 |
| Table 40. | Low-power mode wakeup timings | 132 |
| Table 41. | High-speed external user clock characteristics. | 133 |
| Table 42. | Low-speed external user clock characteristics | 134 |
| Table 43. | HSE 4-26 MHz oscillator characteristics. | 135 |
| Table 44. | LSE oscillator characteristics (f _{LSE} = 32.768 kHz) | 136 |
| Table 45. | HSI oscillator characteristics | 138 |
| Table 46. | LSI oscillator characteristics | 139 |
| Table 47. | Main PLL characteristics. | 140 |
| Table 48. | PLLI2S characteristics | 141 |
| Table 49. | PLLISAI characteristics. | 141 |
| Table 50. | SSCG parameters constraint | 142 |
| Table 51. | MIPI D-PHY characteristics | 144 |
| Table 52. | MIPI D-PHY AC characteristics LP mode and HS/LP transitions | 145 |
| Table 53. | DSI-PLL characteristics | 147 |
| Table 54. | DSI regulator characteristics. | 148 |
| Table 55. | Flash memory characteristics | 149 |
| Table 56. | Flash memory programming (single bank configuration nDBANK=1) | 149 |
| Table 57. | Flash memory programming (dual bank configuration nDBANK=0) | 150 |
| Table 58. | Flash memory programming with VPP | 151 |
| Table 59. | Flash memory endurance and data retention. | 151 |
| Table 60. | EMS characteristics | 152 |
| Table 61. | EMI characteristics | 153 |
| Table 62. | ESD absolute maximum ratings | 154 |
| Table 63. | Electrical sensitivities | 154 |
| Table 64. | I/O current injection susceptibility | 155 |
| Table 65. | I/O static characteristics | 155 |
| Table 66. | Output voltage characteristics | 158 |
| Table 67. | I/O AC characteristics | 159 |
| Table 68. | NRST pin characteristics | 161 |
| Table 69. | TIMx characteristics | 162 |
| Table 70. | RTC characteristics | 162 |
| Table 71. | ADC characteristics | 162 |
| Table 72. | ADC static accuracy at f _{ADC} = 18 MHz. | 164 |
| Table 73. | ADC static accuracy at f _{ADC} = 30 MHz. | 164 |
| Table 74. | ADC static accuracy at f _{ADC} = 36 MHz. | 165 |
| Table 75. | ADC dynamic accuracy at f _{ADC} = 18 MHz - limited test conditions | 165 |
| Table 76. | ADC dynamic accuracy at f _{ADC} = 36 MHz - limited test conditions | 165 |
| Table 77. | Temperature sensor characteristics | 168 |
| Table 78. | Temperature sensor calibration values. | 168 |

| | | |
|------------|---|-----|
| Table 79. | V _{BAT} monitoring characteristics | 168 |
| Table 80. | internal reference voltage | 168 |
| Table 81. | Internal reference voltage calibration values | 169 |
| Table 82. | DAC characteristics | 169 |
| Table 83. | Minimum I2CCLK frequency in all I2C modes | 172 |
| Table 84. | I2C analog filter characteristics | 172 |
| Table 85. | SPI dynamic characteristics | 173 |
| Table 86. | I ² S dynamic characteristics | 176 |
| Table 87. | Dynamics characteristics: JTAG characteristics | 178 |
| Table 88. | Dynamics characteristics: SWD characteristics | 179 |
| Table 89. | SAI characteristics | 180 |
| Table 90. | USB OTG full speed startup time | 182 |
| Table 91. | USB OTG full speed DC electrical characteristics | 182 |
| Table 92. | USB OTG full speed electrical characteristics | 183 |
| Table 93. | USB HS DC electrical characteristics | 184 |
| Table 94. | USB HS clock timing parameters | 184 |
| Table 95. | Dynamic characteristics: USB ULPI | 185 |
| Table 96. | Dynamics characteristics: Ethernet MAC signals for SMI | 186 |
| Table 97. | Dynamics characteristics: Ethernet MAC signals for RMII | 187 |
| Table 98. | Dynamics characteristics: Ethernet MAC signals for MII | 187 |
| Table 99. | MDIO Slave timing parameters | 188 |
| Table 100. | Asynchronous non-multiplexed SRAM/PSRAM/NOR read timings | 190 |
| Table 101. | Asynchronous non-multiplexed SRAM/PSRAM/NOR read - NWAIT timings | 190 |
| Table 102. | Asynchronous non-multiplexed SRAM/PSRAM/NOR write timings | 191 |
| Table 103. | Asynchronous non-multiplexed SRAM/PSRAM/NOR write - NWAIT timings | 192 |
| Table 104. | Asynchronous multiplexed PSRAM/NOR read timings | 193 |
| Table 105. | Asynchronous multiplexed PSRAM/NOR read-NWAIT timings | 193 |
| Table 106. | Asynchronous multiplexed PSRAM/NOR write timings | 194 |
| Table 107. | Asynchronous multiplexed PSRAM/NOR write-NWAIT timings | 195 |
| Table 108. | Synchronous multiplexed NOR/PSRAM read timings | 197 |
| Table 109. | Synchronous multiplexed PSRAM write timings | 199 |
| Table 110. | Synchronous non-multiplexed NOR/PSRAM read timings | 200 |
| Table 111. | Synchronous non-multiplexed PSRAM write timings | 202 |
| Table 112. | Switching characteristics for NAND Flash read cycles | 204 |
| Table 113. | Switching characteristics for NAND Flash write cycles | 205 |
| Table 114. | SDRAM read timings | 206 |
| Table 115. | LPSDR SDRAM read timings | 206 |
| Table 116. | SDRAM write timings | 207 |
| Table 117. | LPSDR SDRAM write timings | 208 |
| Table 118. | QUADSPI characteristics in SDR mode | 209 |
| Table 119. | QUADSPI characteristics in DDR mode | 209 |
| Table 120. | DCMI characteristics | 211 |
| Table 121. | LTDC characteristics | 212 |
| Table 122. | DFSDM measured timing 1.71-3.6V | 214 |
| Table 123. | Dynamic characteristics: SD / MMC characteristics, VDD=2.7V to 3.6V | 218 |
| Table 124. | Dynamic characteristics: eMMC characteristics, VDD=1.71V to 1.9V | 218 |
| Table 125. | LQPF100 mechanical data | 220 |
| Table 126. | TFBGA100 mechanical data | 222 |
| Table 127. | TFBGA100 recommended PCB design rules (0.8 mm pitch BGA) | 224 |
| Table 128. | LQFP144 mechanical data | 226 |
| Table 129. | LQFP176 mechanical data | 230 |
| Table 130. | UFBGA176+25 mechanical data | 233 |

| | | |
|------------|--|-----|
| Table 131. | UFBGA176+25 recommended PCB design rules (0.65 mm pitch BGA) | 234 |
| Table 132. | WLCSP180 mechanical data | 237 |
| Table 133. | WLCSP180 recommended PCB design rules (0.4 mm pitch) | 238 |
| Table 134. | LQFP208 mechanical data | 240 |
| Table 135. | TFBGA216 mechanical data | 243 |
| Table 136. | TFBGA216 recommended PCB design rules (0.8 mm pitch BGA). | 244 |
| Table 137. | Package thermal characteristics | 246 |
| Table 138. | Ordering information scheme | 247 |
| Table 139. | Limitations depending on the operating power supply range | 248 |
| Table 140. | Document revision history | 249 |

List of figures

| | | |
|------------|---|-----|
| Figure 1. | Compatible board design for LQFP100 package | 19 |
| Figure 2. | STM32F765xx, STM32F767xx, STM32F768Ax and STM32F769xx block diagram | 20 |
| Figure 3. | STM32F765xx, STM32F767xx, STM32F768Ax and STM32F769xx AXI-AHB bus matrix architecture ⁽¹⁾ | 23 |
| Figure 4. | VDDUSB connected to VDD power supply | 29 |
| Figure 5. | VDDUSB connected to external power supply | 30 |
| Figure 6. | Power supply supervisor interconnection with internal reset OFF | 31 |
| Figure 7. | PDR_ON control with internal reset OFF | 32 |
| Figure 8. | Regulator OFF | 34 |
| Figure 9. | Startup in regulator OFF: slow V_{DD} slope - power-down reset risen after V_{CAP_1}, V_{CAP_2} stabilization | 35 |
| Figure 10. | Startup in regulator OFF mode: fast V_{DD} slope - power-down reset risen before V_{CAP_1}, V_{CAP_2} stabilization. | 35 |
| Figure 11. | STM32F76xxx LQFP100 pinout | 55 |
| Figure 12. | STM32F76xxx TFBGA100 pinout | 56 |
| Figure 13. | STM32F76xxx LQFP144 pinout | 57 |
| Figure 14. | STM32F76xxx LQFP176 pinout | 58 |
| Figure 15. | STM32F769xx LQFP176 pinout | 59 |
| Figure 16. | STM32F76xxx UFBGA176 ballout | 60 |
| Figure 17. | STM32F769Ax/STM32F768Ax WLCSP180 ballout | 61 |
| Figure 18. | STM32F76xxx LQFP208 pinout | 62 |
| Figure 19. | STM32F769xx LQFP208 pinout | 63 |
| Figure 20. | STM32F76xxx TFBGA216 ballout | 64 |
| Figure 21. | STM32F769xx TFBGA216 ballout | 65 |
| Figure 22. | Pin loading conditions | 104 |
| Figure 23. | Pin input voltage | 104 |
| Figure 24. | STM32F769xx/STM32F779xx power supply scheme | 105 |
| Figure 25. | STM32F765xx/STM32F767xx/STM32F777xx power supply scheme | 106 |
| Figure 26. | Current consumption measurement scheme | 107 |
| Figure 27. | External capacitor C_{EXT} | 111 |
| Figure 28. | High-speed external clock source AC timing diagram | 134 |
| Figure 29. | Low-speed external clock source AC timing diagram | 135 |
| Figure 30. | Typical application with an 8 MHz crystal | 136 |
| Figure 31. | Typical application with a 32.768 kHz crystal | 137 |
| Figure 32. | ACCHSI versus temperature | 138 |
| Figure 33. | LSI deviation versus temperature | 139 |
| Figure 34. | PLL output clock waveforms in center spread mode | 143 |
| Figure 35. | PLL output clock waveforms in down spread mode | 144 |
| Figure 36. | MIPI D-PHY HS/LP clock lane transition timing diagram | 147 |
| Figure 37. | MIPI D-PHY HS/LP data lane transition timing diagram | 147 |
| Figure 38. | FT I/O input characteristics | 157 |
| Figure 39. | I/O AC characteristics definition | 160 |
| Figure 40. | Recommended NRST pin protection | 161 |
| Figure 41. | ADC accuracy characteristics | 166 |
| Figure 42. | Typical connection diagram using the ADC | 166 |
| Figure 43. | Power supply and reference decoupling (V_{REF+} not connected to V_{DDA}) | 167 |
| Figure 44. | Power supply and reference decoupling (V_{REF+} connected to V_{DDA}) | 167 |
| Figure 45. | 12-bit buffered /non-buffered DAC | 171 |

| | | |
|------------|--|-----|
| Figure 46. | SPI timing diagram - slave mode and CPHA = 0 | 174 |
| Figure 47. | SPI timing diagram - slave mode and CPHA = 1 ⁽¹⁾ | 175 |
| Figure 48. | SPI timing diagram - master mode ⁽¹⁾ | 175 |
| Figure 49. | I ² S slave timing diagram (Philips protocol) ⁽¹⁾ | 177 |
| Figure 50. | I ² S master timing diagram (Philips protocol) ⁽¹⁾ | 177 |
| Figure 51. | JTAG timing diagram | 179 |
| Figure 52. | SWD timing diagram | 180 |
| Figure 53. | SAI master timing waveforms | 181 |
| Figure 54. | SAI slave timing waveforms | 182 |
| Figure 55. | USB OTG full speed timings: definition of data signal rise and fall time | 183 |
| Figure 56. | ULPI timing diagram | 185 |
| Figure 57. | Ethernet SMI timing diagram | 186 |
| Figure 58. | Ethernet RMII timing diagram | 186 |
| Figure 59. | Ethernet MII timing diagram | 187 |
| Figure 60. | MDIO Slave timing diagram | 188 |
| Figure 61. | Asynchronous non-multiplexed SRAM/PSRAM/NOR read waveforms | 189 |
| Figure 62. | Asynchronous non-multiplexed SRAM/PSRAM/NOR write waveforms | 191 |
| Figure 63. | Asynchronous multiplexed PSRAM/NOR read waveforms | 192 |
| Figure 64. | Asynchronous multiplexed PSRAM/NOR write waveforms | 194 |
| Figure 65. | Synchronous multiplexed NOR/PSRAM read timings | 196 |
| Figure 66. | Synchronous multiplexed PSRAM write timings | 198 |
| Figure 67. | Synchronous non-multiplexed NOR/PSRAM read timings | 200 |
| Figure 68. | Synchronous non-multiplexed PSRAM write timings | 201 |
| Figure 69. | NAND controller waveforms for read access | 203 |
| Figure 70. | NAND controller waveforms for write access | 203 |
| Figure 71. | NAND controller waveforms for common memory read access | 204 |
| Figure 72. | NAND controller waveforms for common memory write access | 204 |
| Figure 73. | SDRAM read access waveforms (CL = 1) | 205 |
| Figure 74. | SDRAM write access waveforms | 207 |
| Figure 75. | Quad-SPI timing diagram - SDR mode | 210 |
| Figure 76. | Quad-SPI timing diagram - DDR mode | 210 |
| Figure 77. | DCMI timing diagram | 211 |
| Figure 78. | LCD-TFT horizontal timing diagram | 213 |
| Figure 79. | LCD-TFT vertical timing diagram | 213 |
| Figure 80. | Channel transceiver timing diagrams | 216 |
| Figure 81. | SDIO high-speed mode | 217 |
| Figure 82. | SD default mode | 217 |
| Figure 83. | LQFP100 outline | 219 |
| Figure 84. | LQFP100 recommended footprint | 220 |
| Figure 85. | LQFP100 top view example | 221 |
| Figure 86. | TFBGA100 outline | 222 |
| Figure 87. | TFBGA100 recommended footprint | 223 |
| Figure 88. | TFBGA100 top view example | 224 |
| Figure 89. | LQFP144 outline | 225 |
| Figure 90. | LQFP144 recommended footprint | 227 |
| Figure 91. | LQFP144 top view example | 228 |
| Figure 92. | LQFP176 outline | 229 |
| Figure 93. | LQFP176 recommended footprint | 231 |
| Figure 94. | LQFP176 top view example | 232 |
| Figure 95. | UFBGA176+25 outline | 233 |
| Figure 96. | UFBGA176+25 recommended footprint | 234 |
| Figure 97. | UFBGA176+25 top view example | 235 |

| | |
|--|-----|
| Figure 98. WLCSP180 outline | 236 |
| Figure 99. WLCSP180 recommended footprint | 237 |
| Figure 100. WLCSP180 top view example | 238 |
| Figure 101. LQFP208 outline | 239 |
| Figure 102. LQFP208 recommended footprint | 241 |
| Figure 103. LQFP208 top view example | 242 |
| Figure 104. TFBGA216 outline | 243 |
| Figure 105. TFBGA216 recommended footprint | 244 |
| Figure 106. TFBGA216 top view example | 245 |

1 Introduction

This document provides information on STM32F765xx, STM32F767xx, STM32F768Ax and STM32F769xx microcontrollers, such as description, functional overview, pin assignment and definition, electrical characteristics, packaging, and ordering information.

This document should be read in conjunction with the STM32F765xx, STM32F767xx, STM32F768Ax and STM32F769xx reference manual (RM0410), available from the STMicroelectronics website www.st.com.

For information on the Arm^{®(a)} Cortex[®]-M7 core, please refer to the Cortex[®]-M7 Technical Reference Manual, available from the <http://www.arm.com> website.

The logo for Arm, consisting of the word "arm" in a bold, lowercase, sans-serif font.

a. Arm is a registered trademark of Arm Limited (or its subsidiaries) in the US and/or elsewhere.

2 Description

The STM32F765xx, STM32F767xx, STM32F768Ax and STM32F769xx devices are based on the high-performance Arm[®] Cortex[®]-M7 32-bit RISC core operating at up to 216 MHz frequency. The Cortex[®]-M7 core features a floating point unit (FPU) which supports Arm[®] double-precision and single-precision data-processing instructions and data types. It also implements a full set of DSP instructions and a memory protection unit (MPU) which enhances the application security.

The STM32F765xx, STM32F767xx, STM32F768Ax and STM32F769xx devices incorporate high-speed embedded memories with a Flash memory up to 2 Mbytes, 512 Kbytes of SRAM (including 128 Kbytes of Data TCM RAM for critical real-time data), 16 Kbytes of instruction TCM RAM (for critical real-time routines), 4 Kbytes of backup SRAM available in the lowest power modes, and an extensive range of enhanced I/Os and peripherals connected to two APB buses, two AHB buses, a 32-bit multi-AHB bus matrix and a multi layer AXI interconnect supporting internal and external memories access.

All the devices offer three 12-bit ADCs, two DACs, a low-power RTC, twelve general-purpose 16-bit timers including two PWM timers for motor control, two general-purpose 32-bit timers, a true random number generator (RNG). They also feature standard and advanced communication interfaces:

- Up to four I2Cs
- Six SPIs, three I2Ss in half-duplex mode. To achieve audio class accuracy, the I2S peripherals can be clocked via a dedicated internal audio PLL or via an external clock to allow synchronization.
- Four USARTs plus four UARTs
- An USB OTG full-speed and a USB OTG high-speed with full-speed capability (with the ULPI)
- Three CANs
- Two SAI serial audio interfaces
- Two SDMMC host interfaces
- Ethernet and camera interfaces
- LCD-TFT display controller
- Chrom-ART Accelerator
- SPDIFRX interface
- HDMI-CEC

Advanced peripherals include two SDMMC interfaces, a flexible memory control (FMC) interface, a Quad-SPI Flash memory interface, a camera interface for CMOS sensors.

The STM32F765xx, STM32F767xx, STM32F768Ax and STM32F769xx devices operate in the -40 to +105 °C temperature range from a 1.7 to 3.6 V power supply. Dedicated supply inputs for USB (OTG_FS and OTG_HS) and SDMMC2 (clock, command and 4-bit data) are available on all the packages except LQFP100 for a greater power supply choice.

The supply voltage can drop to 1.7 V with the use of an external power supply supervisor. A comprehensive set of power-saving mode allows the design of low-power applications.

The STM32F765xx, STM32F767xx, STM32F768Ax and STM32F769xx devices offer devices in 11 packages ranging from 100 pins to 216 pins. The set of included peripherals changes with the device chosen.

These features make the STM32F765xx, STM32F767xx, STM32F768Ax and STM32F769xx microcontrollers suitable for a wide range of applications:

- Motor drive and application control
- Medical equipment
- Industrial applications: PLC, inverters, circuit breakers
- Printers, and scanners
- Alarm systems, video intercom, and HVAC
- Home audio appliances
- Mobile applications, Internet of Things
- Wearable devices: smartwatches

The following table lists the peripherals available on each part number.



Table 2. STM32F765xx, STM32F767xx, STM32F768Ax and STM32F769xx features and peripheral counts

| Peripherals | | STM32F765Vx | | STM32F767I769Vx | | STM32F765Zx | | STM32F767I769Zx | | STM32F769Ax | | STM32F768Ax | | STM32F765Ix | | STM32F767I769Ix | | STM32F765Bx | | STM32F767I769Bx | | STM32F765Nx | | STM32F767I769Nx | | |
|------------------------------|------------------------|------------------------------|------|-----------------|------|-------------|------|------------------------------|------|-------------|------|-------------|------|-------------|------|-----------------|------|-------------|------|-----------------|------|-------------|------|-----------------|------|------|
| Flash memory in Kbytes | | 1024 | 2048 | 1024 | 2048 | 1024 | 2048 | 1024 | 2048 | 1024 | 2048 | 2048 | 1024 | 2048 | 1024 | 2048 | 1024 | 2048 | 1024 | 2048 | 1024 | 2048 | 1024 | 2048 | 1024 | 2048 |
| SRAM in Kbytes | System | 512(368+16+128) | | | | | | | | | | | | | | | | | | | | | | | | |
| | Instruction | 16 | | | | | | | | | | | | | | | | | | | | | | | | |
| | Backup | 4 | | | | | | | | | | | | | | | | | | | | | | | | |
| FMC memory controller | | Yes ⁽¹⁾ | | | | | | | | | | | | | | | | | | | | | | | | |
| Quad-SPI | | Yes | | | | | | | | | | | | | | | | | | | | | | | | |
| Ethernet | | Yes | | | | | | No | | | | | | Yes | | | | | | | | | | | | |
| Timers | General-purpose | 10 | | | | | | | | | | | | | | | | | | | | | | | | |
| | Advanced-control | 2 | | | | | | | | | | | | | | | | | | | | | | | | |
| | Basic | 2 | | | | | | | | | | | | | | | | | | | | | | | | |
| | Low-power | 1 | | | | | | | | | | | | | | | | | | | | | | | | |
| Random number generator | | Yes | | | | | | | | | | | | | | | | | | | | | | | | |
| Communication interfaces | SPI / I ² S | 4/3 (simplex) ⁽²⁾ | | | | | | 6/3 (simplex) ⁽²⁾ | | | | | | | | | | | | | | | | | | |
| | I ² C | 4 | | | | | | | | | | | | | | | | | | | | | | | | |
| | USART/UART | 4/4 | | | | | | | | | | | | | | | | | | | | | | | | |
| | USB OTG FS | Yes | | | | | | | | | | | | | | | | | | | | | | | | |
| | USB OTG HS | Yes | | | | | | | | | | | | | | | | | | | | | | | | |
| | CAN | 3 | | | | | | | | | | | | | | | | | | | | | | | | |
| | SAI | 2 | | | | | | | | | | | | | | | | | | | | | | | | |
| | SPDIFRX | 4 inputs | | | | | | | | | | | | | | | | | | | | | | | | |
| | SDMMC1 | Yes | | | | | | | | | | | | | | | | | | | | | | | | |
| | SDMMC2 | Yes ⁽³⁾ | | | | | | | | | | | | | | | | | | | | | | | | |
| Camera interface | | Yes | | | | | | | | | | | | | | | | | | | | | | | | |
| MIPI-DSI Host ⁽⁴⁾ | | No | | | | | | Yes | | | | | | No | Yes | No | Yes | No | Yes | No | Yes | No | Yes | No | Yes | |
| LCD-TFT | | No | Yes | No | Yes | | | | | | No | Yes | No | Yes | No | Yes | No | Yes | No | Yes | | | | | | |



Table 2. STM32F765xx, STM32F767xx, STM32F768Ax and STM32F769xx features and peripheral counts (continued)

| Peripherals | STM32F765Vx | STM32F767/769Vx | STM32F765Zx | STM32F767/769Zx | STM32F769Ax | STM32F768Ax | STM32F765Ix | STM32F767/769Ix | STM32F765Bx | STM32F767/769Bx | STM32F765Nx | STM32F767/769Nx |
|-------------------------------|--|-----------------|-------------|-----------------|-------------|-------------|------------------------------------|-----------------|-------------|-----------------|-------------|-----------------|
| Chrom-ART Accelerator (DMA2D) | Yes | | | | | | | | | | | |
| JPEG codec | No | Yes | No | Yes | | No | Yes | No | Yes | No | Yes | Yes |
| GPIOs | 82 | | 114 | | 129 | | 140 | 132 | 168 | 159 | 168 | 159 |
| DFSDM1 | Yes (4 filters) | | | | | | | | | | | |
| 12-bit ADC | 3 | | | | | | | | | | | |
| Number of channels | 16 | | 24 | | | | | | | | | |
| 12-bit DAC | Yes | | | | | | | | | | | |
| Number of channels | 2 | | | | | | | | | | | |
| Maximum CPU frequency | 216 MHz ⁽⁵⁾ | | | | | | | | | | | |
| Operating voltage | 1.7 to 3.6 V ⁽⁶⁾ | | | | | | | | | | | |
| Operating temperatures | Ambient temperatures: -40 to +85 °C / -40 to +105 °C | | | | | | | | | | | |
| | Junction temperature: -40 to + 125 °C | | | | | | | | | | | |
| Package | LQFP100 TFBGA100 | | LQFP144 | | WLCSP180 | | UFBGA176 ⁽⁷⁾ LQFP176 | | LQFP208 | | TFBGA216 | |

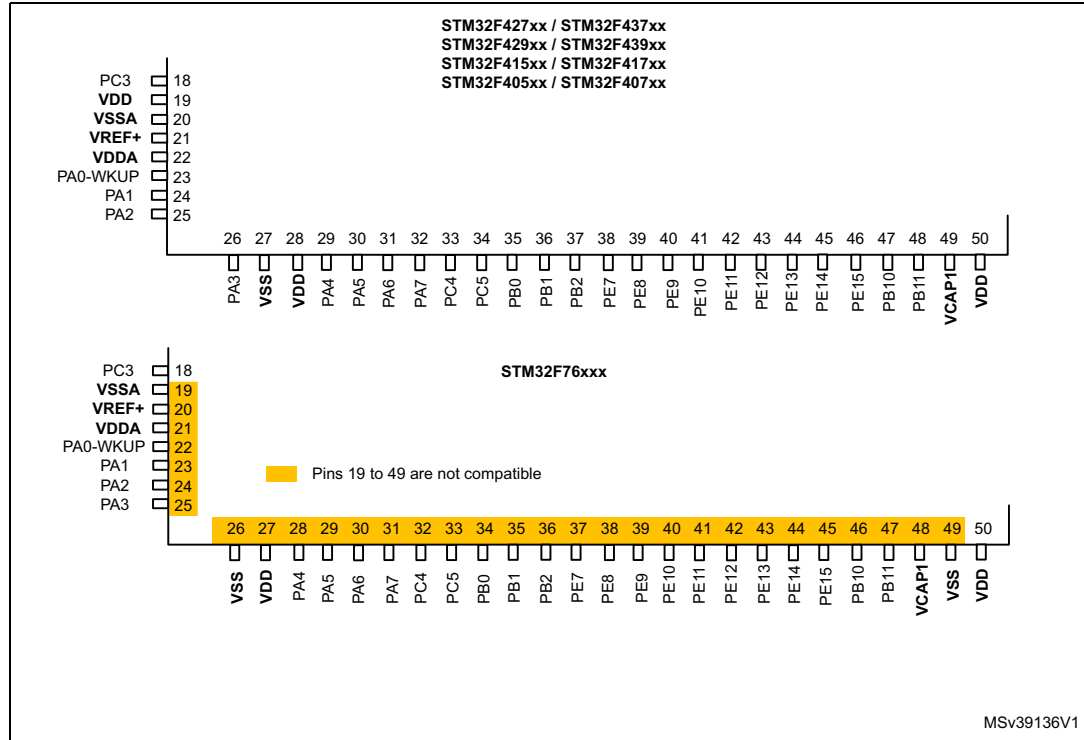
1. For the LQFP100 package, only FMC Bank1 is available. Bank1 can only support a multiplexed NOR/PSRAM memory using the NE1 Chip Select.
2. The SPI1, SPI2 and SPI3 interfaces give the flexibility to work in an exclusive way in either the SPI mode or the I2S audio mode.
3. SDMMC2 supports a dedicated power rail for clock, command and data 0..4 lines, feature available starting from 144 pin package.
4. DSI host interface is only available on STM32F769x sales types.
5. 216 MHz maximum frequency for - 40°C to + 85°C ambient temperature range (200 MHz maximum frequency for - 40°C to + 105°C ambient temperature range).
6. V_{DD}/V_{DDA} minimum value of 1.7 V is obtained when the internal reset is OFF (refer to [Section 3.18.2: Internal reset OFF](#)).
7. UFBGA176 is not available for STM32F769x sales types.

Full compatibility throughout the family

The STM32F765xx, STM32F767xx, STM32F768Ax and STM32F769xx devices are fully pin-to-pin, compatible with the STM32F4xxxx devices, allowing the user to try different peripherals, and reaching higher performances (higher frequency) for a greater degree of freedom during the development cycle.

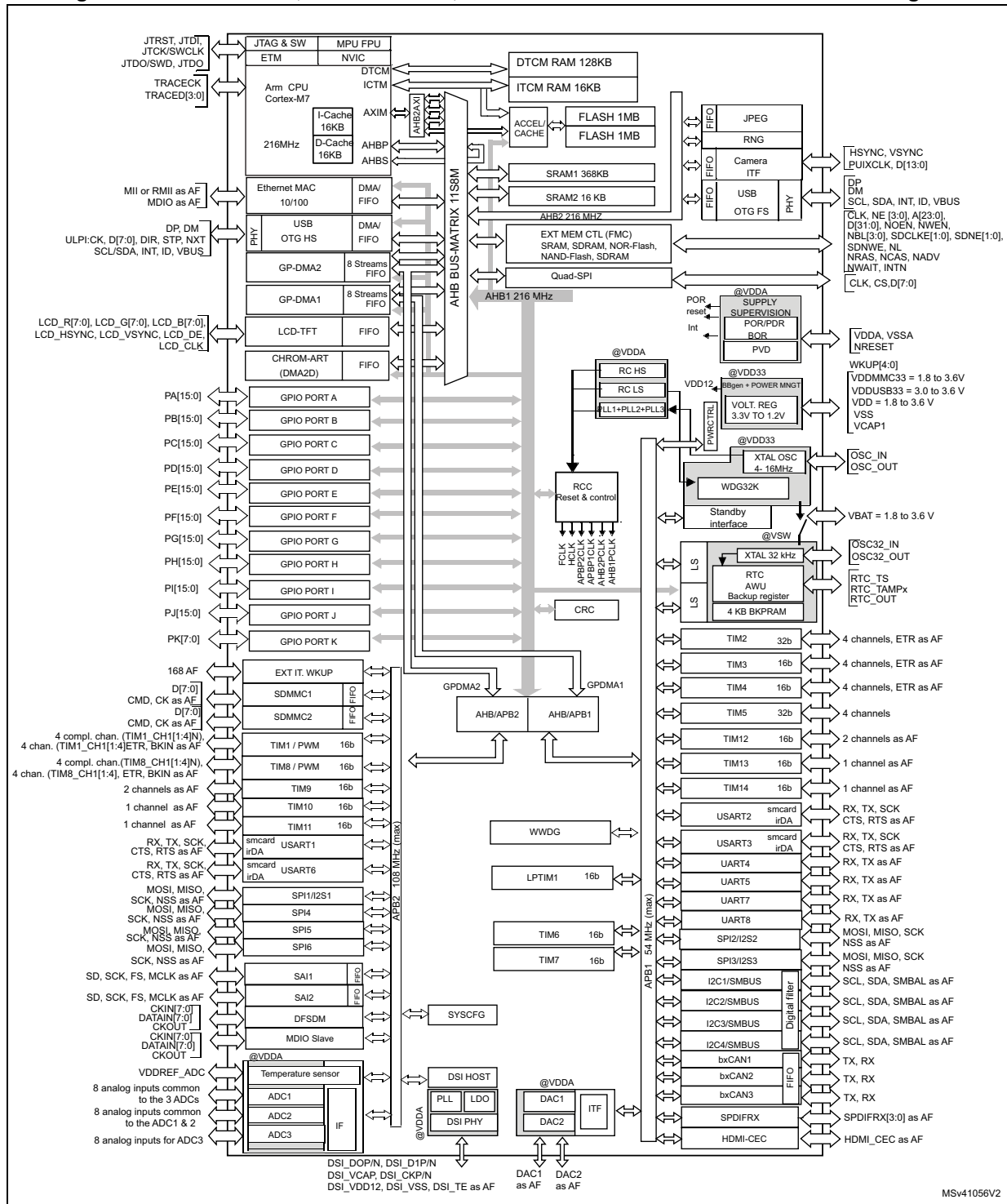
Figure 1 gives compatible board designs between the STM32F7xx and STM32F4xx families.

Figure 1. Compatible board design for LQFP100 package



The STM32F76x LQFP144, LQFP176, LQFP208, TFBGA216, UFBGA176 packages are fully pin to pin compatible with STM32F4xx devices.

Figure 2. STM32F765xx, STM32F767xx, STM32F768Ax and STM32F769xx block diagram



1. The timers connected to APB2 are clocked from TIMxCLK up to 216 MHz, while the timers connected to APB1 are clocked from TIMxCLK either up to 108 MHz or 216 MHz depending on TIMPRE bit configuration in the RCC_DCKCFGR register.

3 Functional overview

3.1 Arm[®] Cortex[®]-M7 with FPU

The Arm[®] Cortex[®]-M7 with FPU processor is the latest generation of Arm processors for embedded systems. It was developed to provide a low-cost platform that meets the needs of MCU implementation, with a reduced pin count and low-power consumption, while delivering an outstanding computational performance and low interrupt latency.

The Cortex[®]-M7 processor is a highly efficient high-performance featuring:

- Six-stage dual-issue pipeline
- Dynamic branch prediction
- Harvard caches (16 Kbytes of I-cache and 16 Kbytes of D-cache)
- 64-bit AXI4 interface
- 64-bit ITCM interface
- 2x32-bit DTCM interfaces

The processor supports the following memory interfaces:

- Tightly Coupled Memory (TCM) interface.
- Harvard instruction and data caches and AXI master (AXIM) interface.
- Dedicated low-latency AHB-Lite peripheral (AHBP) interface.

The processor supports a set of DSP instructions which allow an efficient signal processing and a complex algorithm execution.

It supports single and double precision FPU (floating point unit), speeds up software development by using metalanguage development tools, while avoiding saturation.

Figure 2 shows the general block diagram of the STM32F76xxx family.

Note: The Cortex[®]-M7 with FPU core is binary compatible with the Cortex[®]-M4 core.

3.2 Memory protection unit

The memory protection unit (MPU) is used to manage the CPU accesses to memory to prevent one task to accidentally corrupt the memory or resources used by any other active task. This memory area is organized into up to 8 protected areas that can in turn be divided up into 8 subareas. The protection area sizes are between 32 bytes and the whole 4 gigabytes of addressable memory.

The MPU is especially helpful for applications where some critical or certified code has to be protected against the misbehavior of other tasks. It is usually managed by an RTOS (real-time operating system). If a program accesses a memory location that is prohibited by the MPU, the RTOS can detect it and take action. In an RTOS environment, the kernel can dynamically update the MPU area setting, based on the process to be executed.

The MPU is optional and can be bypassed for applications that do not need it.

3.3 Embedded Flash memory

The STM32F765xx, STM32F767xx, STM32F768Ax and STM32F769xx devices embed a Flash memory of up to 2 Mbytes available for storing programs and data. The Flash interface features:

- Single /or Dual bank operating modes,
- Read-While-Write (RWW) in Dual bank mode.

3.4 CRC (cyclic redundancy check) calculation unit

The CRC (cyclic redundancy check) calculation unit is used to get a CRC code using a configurable generator polynomial value and size.

Among other applications, CRC-based techniques are used to verify data transmission or storage integrity. In the scope of the EN/IEC 60335-1 standard, they offer a means of verifying the Flash memory integrity. The CRC calculation unit helps compute a signature of the software during runtime, to be compared with a reference signature generated at link-time and stored at a given memory location.

3.5 Embedded SRAM

All the devices feature:

- System SRAM up to 512 Kbytes:
 - SRAM1 on AHB bus Matrix: 368 Kbytes
 - SRAM2 on AHB bus Matrix: 16 Kbytes
 - DTCM-RAM on TCM interface (Tightly Coupled Memory interface): 128 Kbytes for critical real-time data.
- Instruction RAM (ITCM-RAM) 16 Kbytes:
 - It is mapped on TCM interface and reserved only for CPU Execution/Instruction useful for critical real-time routines.

The Data TCM RAM is accessible by the GP-DMA's and peripherals DMA's through specific AHB slave of the CPU. The instruction TCM RAM is reserved only for CPU. It is accessed at CPU clock speed with 0 wait states.

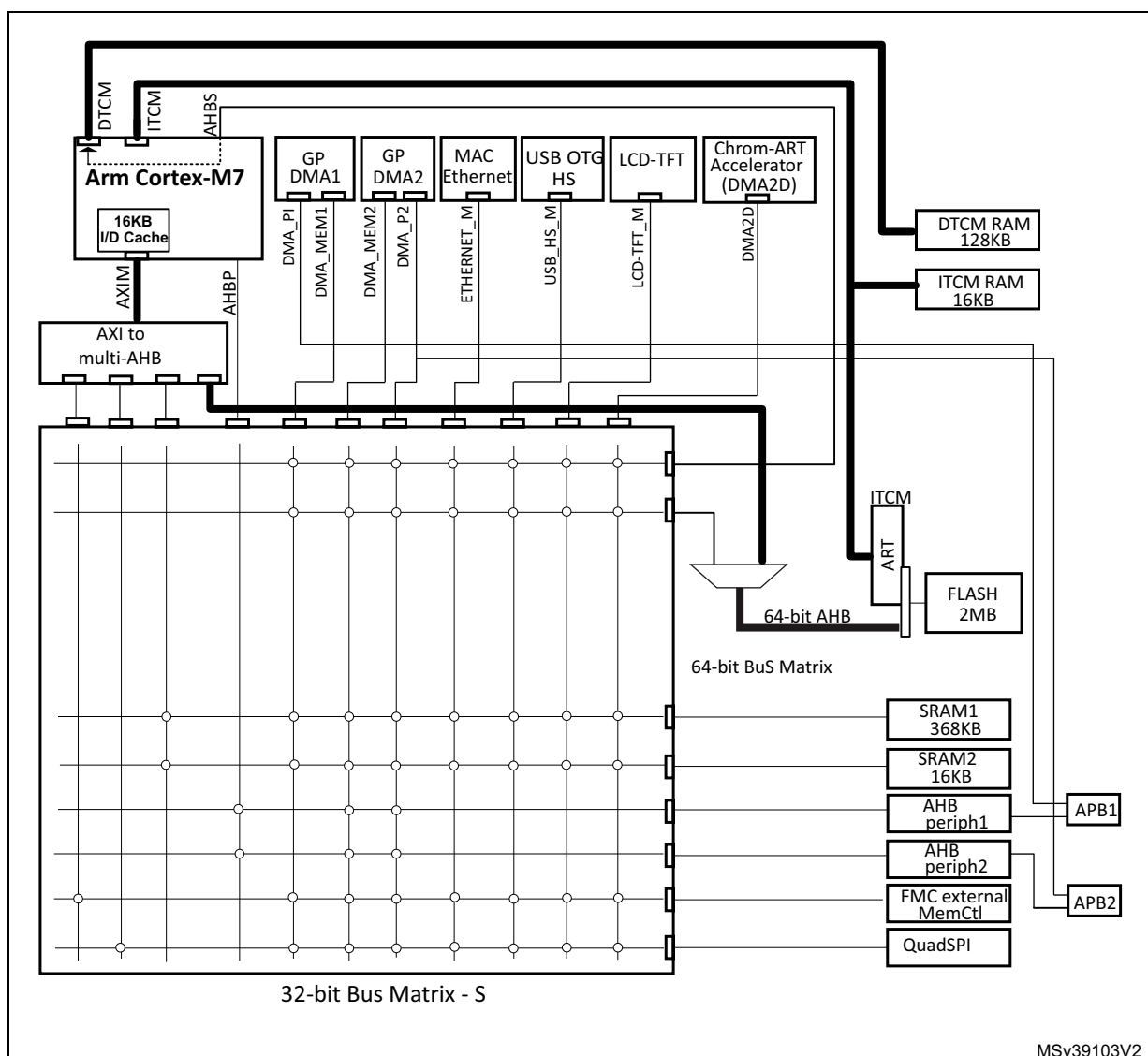
- 4 Kbytes of backup SRAM
This area is accessible only from the CPU. Its content is protected against possible unwanted write accesses, and is retained in Standby or VBAT mode.

3.6 AXI-AHB bus matrix

The STM32F765xx, STM32F767xx, STM32F768Ax and STM32F769xx system architecture is based on 2 sub-systems:

- An AXI to multi AHB bridge converting AXI4 protocol to AHB-Lite protocol:
 - 3x AXI to 32-bit AHB bridges connected to AHB bus matrix
 - 1x AXI to 64-bit AHB bridge connected to the embedded Flash memory
- A multi-AHB Bus-Matrix
 - The 32-bit multi-AHB bus matrix interconnects all the masters (CPU, DMAs, Ethernet, USB HS, LCD-TFT, and DMA2D) and the slaves (Flash memory, RAM, FMC, Quad-SPI, AHB and APB peripherals) and ensures a seamless and efficient operation even when several high-speed peripherals work simultaneously.

Figure 3. STM32F765xx, STM32F767xx, STM32F768Ax and STM32F769xx AXI-AHB bus matrix architecture⁽¹⁾



1. The above figure has large wires for 64-bits bus and thin wires for 32-bits bus.

3.7 DMA controller (DMA)

The devices feature two general-purpose dual-port DMAs (DMA1 and DMA2) with 8 streams each. They are able to manage memory-to-memory, peripheral-to-memory and memory-to-peripheral transfers. They feature dedicated FIFOs for APB/AHB peripherals, support burst transfer and are designed to provide the maximum peripheral bandwidth (AHB/APB).

The two DMA controllers support circular buffer management, so that no specific code is needed when the controller reaches the end of the buffer. The two DMA controllers also have a double buffering feature, which automates the use and switching of two memory buffers without requiring any special code.

Each stream is connected to dedicated hardware DMA requests, with support for software trigger on each stream. The configuration is made by software and the transfer sizes between the source and the destination are independent.

The DMA can be used with the main peripherals:

- SPI and I²S
- I²C
- USART
- General-purpose, basic and advanced-control timers TIMx
- DAC
- SDMMC
- Camera interface (DCMI)
- ADC
- SAI
- SPDIFRX
- Quad-SPI
- HDMI-CEC
- JPEG codec
- DFSDM1

3.8 Flexible memory controller (FMC)

The Flexible memory controller (FMC) includes three memory controllers:

- The NOR/PSRAM memory controller
- The NAND/memory controller
- The Synchronous DRAM (SDRAM/Mobile LPDDR SDRAM) controller

The main features of the FMC controller are the following:

- Interface with static-memory mapped devices including:
 - Static random access memory (SRAM)
 - NOR Flash memory/OneNAND Flash memory
 - PSRAM (4 memory banks)
 - NAND Flash memory with ECC hardware to check up to 8 Kbytes of data
- Interface with synchronous DRAM (SDRAM/Mobile LPDDR SDRAM) memories
- 8-, 16-, 32-bit data bus width
- Independent Chip Select control for each memory bank
- Independent configuration for each memory bank
- Write FIFO
- Read FIFO for SDRAM controller
- The maximum FMC_CLK/FMC_SDCLK frequency for synchronous accesses is HCLK/2

LCD parallel interface

The FMC can be configured to interface seamlessly with most graphic LCD controllers. It supports the Intel 8080 and Motorola 6800 modes, and is flexible enough to adapt to specific LCD interfaces. This LCD parallel interface capability makes it easy to build cost-effective graphic applications using LCD modules with embedded controllers or high performance solutions using external controllers with dedicated acceleration.

3.9 Quad-SPI memory interface (QUADSPI)

All the devices embed a Quad-SPI memory interface, which is a specialized communication interface targeting Single, Dual or Quad-SPI Flash memories. It can work in:

- Direct mode through registers
- External Flash status register polling mode
- Memory mapped mode.

Up to 256 Mbytes external Flash are memory mapped, supporting 8, 16 and 32-bit access. Code execution is supported.

The opcode and the frame format are fully programmable. The communication can be either in Single Data Rate or Dual Data Rate.

3.10 LCD-TFT controller

The LCD-TFT display controller provides a 24-bit parallel digital RGB (Red, Green, Blue) and delivers all signals to interface directly to a broad range of LCD and TFT panels up to XGA (1024x768) resolution with the following features:

- 2 display layers with dedicated FIFO (64x32-bit)
- Color Look-Up table (CLUT) up to 256 colors (256x24-bit) per layer
- Up to 8 input color formats selectable per layer
- Flexible blending between two layers using alpha value (per pixel or constant)
- Flexible programmable parameters for each layer
- Color keying (transparency color)
- Up to 4 programmable interrupt events

3.11 Chrom-ART Accelerator (DMA2D)

The Chrom-Art Accelerator (DMA2D) is a graphic accelerator which offers advanced bit blitting, row data copy and pixel format conversion. It supports the following functions:

- Rectangle filling with a fixed color
- Rectangle copy
- Rectangle copy with pixel format conversion
- Rectangle composition with blending and pixel format conversion

Various image format codings are supported, from indirect 4bpp color mode up to 32bpp direct color. It embeds dedicated memory to store color lookup tables.

An interrupt can be generated when an operation is complete or at a programmed watermark.

All the operations are fully automatized and are running independently from the CPU or the DMAs.

3.12 Nested vectored interrupt controller (NVIC)

The devices embed a nested vectored interrupt controller able to manage 16 priority levels, and handle up to 110 maskable interrupt channels plus the 16 interrupt lines of the Cortex[®]-M7 with FPU core.

- Closely coupled NVIC gives low-latency interrupt processing
- Interrupt entry vector table address passed directly to the core
- Allows early processing of interrupts
- Processing of late arriving, higher-priority interrupts
- Support tail chaining
- Processor state automatically saved
- Interrupt entry restored on interrupt exit with no instruction overhead

This hardware block provides flexible interrupt management features with minimum interrupt latency.

3.13 JPEG codec (JPEG)

The JPEG codec provides an fast and simple hardware compressor and decompressor of JPEG images with full management of JPEG headers.

The JPEG codec main features:

- 8-bit/channel pixel depths
- Single clock per pixel encoding and decoding
- Support for JPEG header generation and parsing
- Up to four programmable quantization tables
- Fully programmable Huffman tables (two AC and two DC)
- Fully programmable minimum coded unit (MCU)
- Encode/decode support (non simultaneous)
- Single clock Huffman coding and decoding
- Two-channel interface: Pixel/Compress In, Pixel/Compressed Out
- Stallable design
- Support for single, greyscale component
- Functionality to enable/disable header processing
- Internal register interface
- Fully synchronous design
- Configured for high-speed decode mode

3.14 External interrupt/event controller (EXTI)

The external interrupt/event controller consists of 25 edge-detector lines used to generate interrupt/event requests. Each line can be independently configured to select the trigger event (rising edge, falling edge, both) and can be masked independently. A pending register maintains the status of the interrupt requests. The EXTI can detect an external line with a pulse width shorter than the Internal APB2 clock period. Up to 168 GPIOs can be connected to the 16 external interrupt lines.

3.15 Clocks and startup

On reset the 16 MHz internal HSI RC oscillator is selected as the default CPU clock. The 16 MHz internal RC oscillator is factory-trimmed to offer 1% accuracy. The application can then select as system clock either the RC oscillator or an external 4-26 MHz clock source. This clock can be monitored for failure. If a failure is detected, the system automatically switches back to the internal RC oscillator and a software interrupt is generated (if enabled). This clock source is input to a PLL thus allowing to increase the frequency up to 216 MHz. Similarly, full interrupt management of the PLL clock entry is available when necessary (for example if an indirectly used external oscillator fails).

Several prescalers allow the configuration of the two AHB buses, the high-speed APB (APB2) and the low-speed APB (APB1) domains. The maximum frequency of the two AHB buses is 216 MHz while the maximum frequency of the high-speed APB domains is 108 MHz. The maximum allowed frequency of the low-speed APB domain is 54 MHz.

The devices embed two dedicated PLL (PLLI2S and PLLSAI) which allow to achieve audio class performance. In this case, the I²S and SAI master clock can generate all standard sampling frequencies from 8 kHz to 192 kHz.

3.16 Boot modes

At startup, the boot memory space is selected by the BOOT pin and BOOT_ADDx option bytes, allowing to program any boot memory address from 0x0000 0000 to 0x3FFF FFFF which includes:

- All Flash address space mapped on ITCM or AXIM interface
- All RAM address space: ITCM, DTCM RAMs and SRAMs mapped on AXIM interface
- The System memory bootloader

The boot loader is located in system memory. It is used to reprogram the Flash memory through a serial interface. Refer to *STM32 microcontroller system memory boot mode* application note (AN2606) for details.

3.17 Power supply schemes

- $V_{DD} = 1.7$ to 3.6 V: external power supply for I/Os and the internal regulator (when enabled), provided externally through V_{DD} pins.
- V_{SSA} , $V_{DDA} = 1.7$ to 3.6 V: external analog power supplies for ADC, DAC, Reset blocks, RCs and PLL. V_{DDA} and V_{SSA} must be connected to V_{DD} and V_{SS} , respectively.
- $V_{BAT} = 1.65$ to 3.6 V: power supply for RTC, external clock 32 kHz oscillator and backup registers (through power switch) when V_{DD} is not present.

Note: V_{DD}/V_{DDA} minimum value of 1.7 V is obtained when the internal reset is OFF (refer to [Section 3.18.2: Internal reset OFF](#)). Refer to [Table 3: Voltage regulator configuration mode versus device operating mode](#) to identify the packages supporting this option.

- $V_{DDSDMMC}$ can be connected either to V_{DD} or an external independent power supply (1.8 to 3.6V) for SDMMC2 pins (clock, command, and 4-bit data). For example, when the device is powered at 1.8V, an independent power supply 2.7V can be connected to $V_{DDSDMMC}$. When the $V_{DDSDMMC}$ is connected to a separated power supply, it is independent from V_{DD} or V_{DDA} but it must be the last supply to be provided and the first to disappear. The following conditions $V_{DDSDMMC}$ must be respected:
 - During the power-on phase ($V_{DD} < V_{DD_MIN}$), $V_{DDSDMMC}$ should be always lower than V_{DD}
 - During the power-down phase ($V_{DD} < V_{DD_MIN}$), $V_{DDSDMMC}$ should be always lower than V_{DD}
 - The $V_{DDSDMMC}$ rising and falling time rate specifications must be respected
 - In operating mode phase, $V_{DDSDMMC}$ could be lower or higher than V_{DD} : All associated GPIOs powered by $V_{DDSDMMC}$ are operating between $V_{DDSDMMC_MIN}$ and $V_{DDSDMMC_MAX}$.
- V_{DDUSB} can be connected either to V_{DD} or an external independent power supply (3.0 to 3.6V) for USB transceivers (refer to [Figure 4](#) and [Figure 5](#)). For example, when the device is powered at 1.8V, an independent power supply 3.3V can be connected to V_{DDUSB} . When the V_{DDUSB} is connected to a separated power supply, it is independent from V_{DD} or V_{DDA} but it must be the last supply to be provided and the first to

disappear. The following conditions V_{DDUSB} must be respected:

- During the power-on phase ($V_{DD} < V_{DD_MIN}$), V_{DDUSB} should be always lower than V_{DD}
- During the power-down phase ($V_{DD} < V_{DD_MIN}$), V_{DDUSB} should be always lower than V_{DD}
- The V_{DDUSB} rising and falling time rate specifications must be respected
- In operating mode phase, V_{DDUSB} could be lower or higher than V_{DD} :
 - If USB (USB OTG_HS/OTG_FS) is used, the associated GPIOs powered by V_{DDUSB} are operating between V_{DDUSB_MIN} and V_{DDUSB_MAX} .
 - The V_{DDUSB} supply both USB transceiver (USB OTG_HS and USB OTG_FS). If only one USB transceiver is used in the application, the GPIOs associated to the other USB transceiver are still supplied by V_{DDUSB} .
 - If USB (USB OTG_HS/OTG_FS) is not used, the associated GPIOs powered by V_{DDUSB} are operating between V_{DD_MIN} and V_{DD_MAX} .

Figure 4. V_{DDUSB} connected to V_{DD} power supply

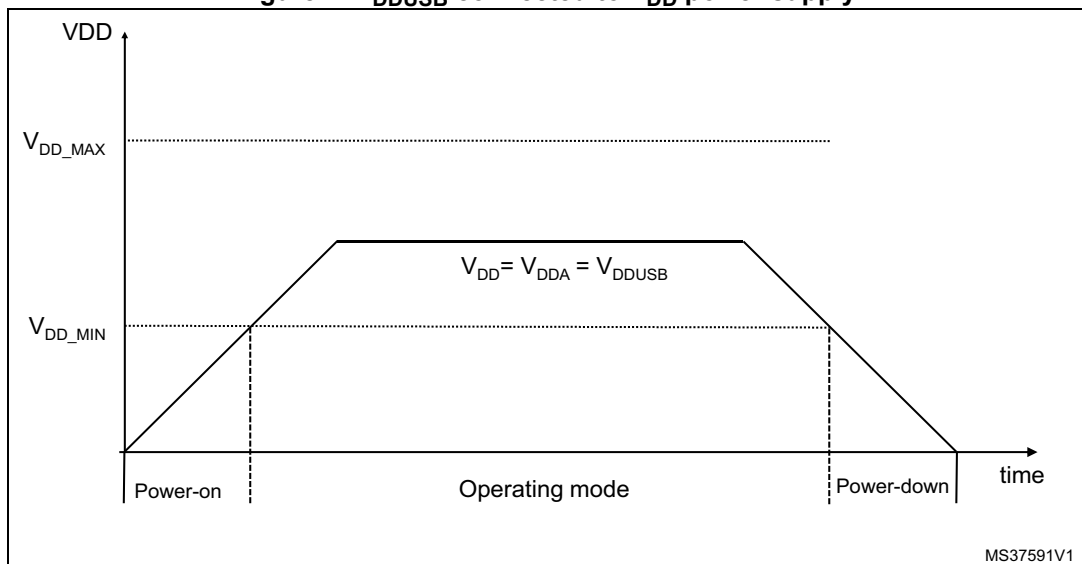
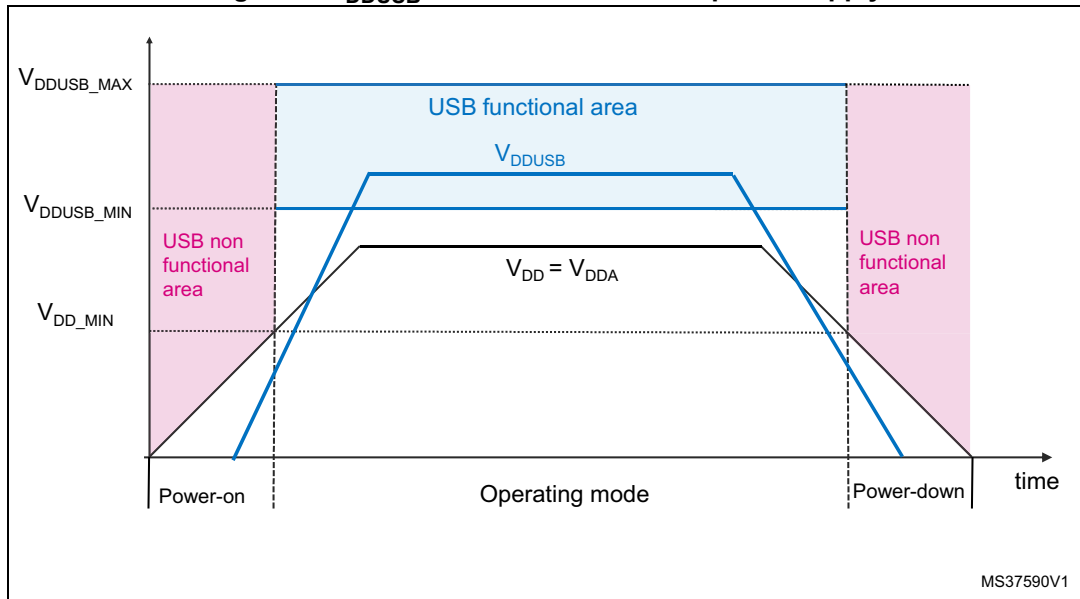


Figure 5. V_{DDUSB} connected to external power supply

The DSI (Display Serial Interface) sub-system uses several power supply pins which are independent from the other supply pins:

- V_{DDDSI} is an independent DSI power supply dedicated for DSI Regulator and MIPI D-PHY. This supply must be connected to global V_{DD} .
- The V_{CAPDSI} pin is the output of DSI Regulator (1.2V) which must be connected externally to $V_{DD12DSI}$.
- The $V_{DD12DSI}$ pin is used to supply the MIPI D-PHY, and to supply the clock and data lanes pins. An external capacitor of 2.2 μF must be connected on the $V_{DD12DSI}$ pin.
- The V_{SSDSI} pin is an isolated supply ground used for DSI sub-system.
- If the DSI functionality is not used at all, then:
 - The V_{DDDSI} pin must be connected to global V_{DD} .
 - The V_{CAPDSI} pin must be connected externally to $V_{DD12DSI}$ but the external capacitor is no more needed.
 - The V_{SSDSI} pin must be grounded.

3.18 Power supply supervisor

3.18.1 Internal reset ON

On packages embedding the PDR_ON pin, the power supply supervisor is enabled by holding PDR_ON high. On the other packages, the power supply supervisor is always enabled.

The device has an integrated power-on reset (POR)/ power-down reset (PDR) circuitry coupled with a Brownout reset (BOR) circuitry. At power-on, POR/PDR is always active and ensures proper operation starting from 1.8 V. After the 1.8 V POR threshold level is reached, the option byte loading process starts, either to confirm or modify default BOR thresholds, or to disable BOR permanently. Three BOR thresholds are available through

option bytes. The device remains in reset mode when V_{DD} is below a specified threshold, $V_{POR/PDR}$ or V_{BOR} , without the need for an external reset circuit.

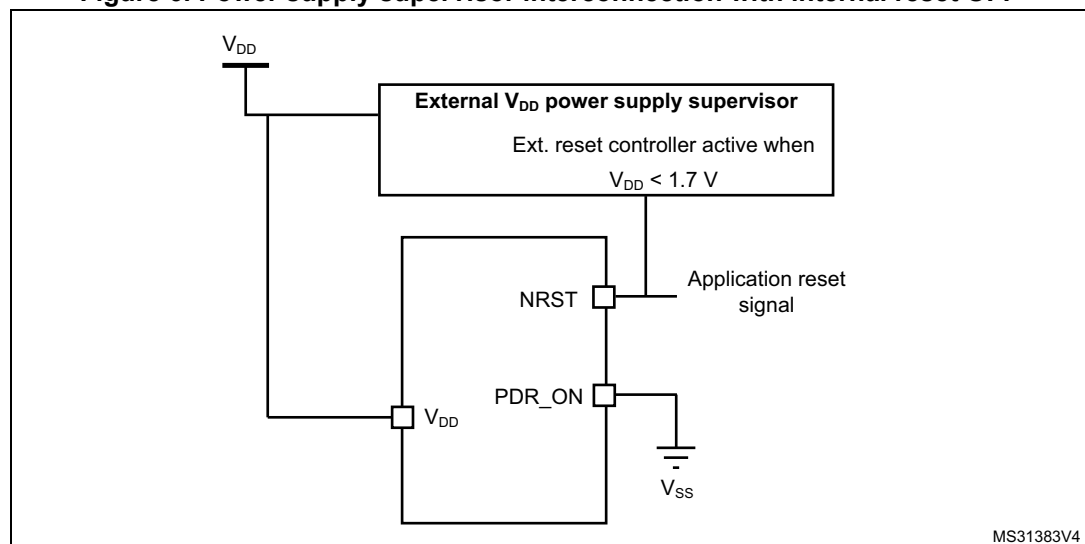
The device also features an embedded programmable voltage detector (PVD) that monitors the V_{DD}/V_{DDA} power supply and compares it to the V_{PVD} threshold. An interrupt can be generated when V_{DD}/V_{DDA} drops below the V_{PVD} threshold and/or when V_{DD}/V_{DDA} is higher than the V_{PVD} threshold. The interrupt service routine can then generate a warning message and/or put the MCU into a safe state. The PVD is enabled by software.

3.18.2 Internal reset OFF

This feature is available only on packages featuring the PDR_ON pin. The internal power-on reset (POR) / power-down reset (PDR) circuitry is disabled through the PDR_ON pin.

An external power supply supervisor should monitor V_{DD} and NRST and should maintain the device in reset mode as long as V_{DD} is below a specified threshold. PDR_ON should be connected to V_{SS} . Refer to [Figure 6: Power supply supervisor interconnection with internal reset OFF](#).

Figure 6. Power supply supervisor interconnection with internal reset OFF



The V_{DD} specified threshold, below which the device must be maintained under reset, is 1.7 V (see [Figure 7](#)).

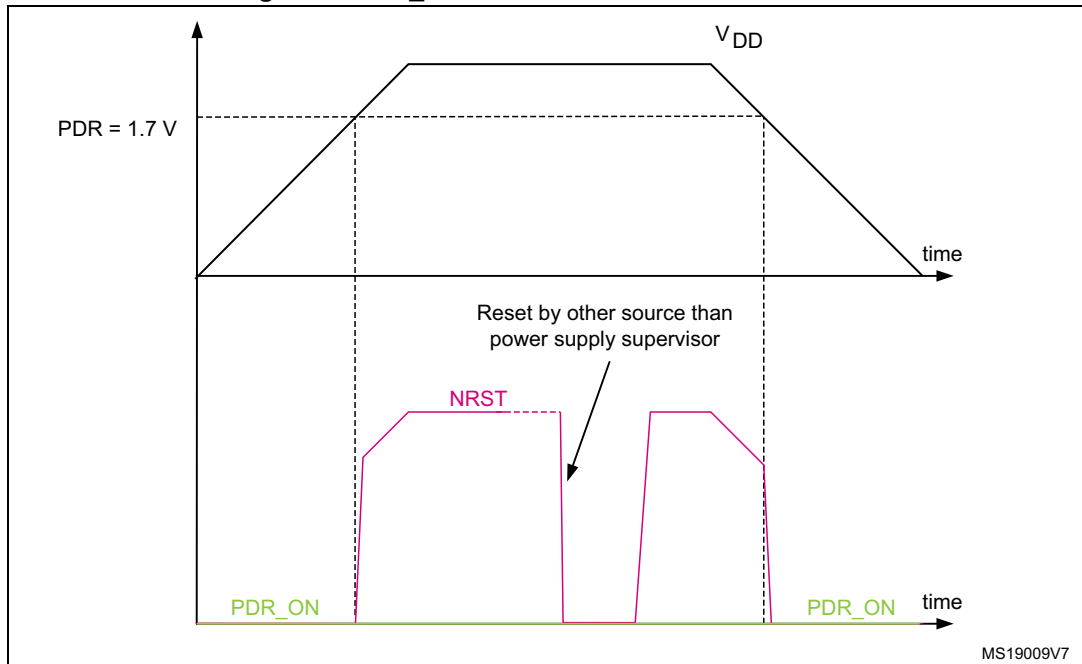
A comprehensive set of power-saving mode allows to design low-power applications.

When the internal reset is OFF, the following integrated features are no more supported:

- The integrated power-on reset (POR) / power-down reset (PDR) circuitry is disabled
- The brownout reset (BOR) circuitry must be disabled
- The embedded programmable voltage detector (PVD) is disabled
- V_{BAT} functionality is no more available and V_{BAT} pin should be connected to V_{DD} .

All the packages, except for the LQFP100, allow to disable the internal reset through the PDR_ON signal when connected to V_{SS} .

Figure 7. PDR_ON control with internal reset OFF



3.19 Voltage regulator

The regulator has four operating modes:

- Regulator ON
 - Main regulator mode (MR)
 - Low power regulator (LPR)
 - Power-down
- Regulator OFF

3.19.1 Regulator ON

On packages embedding the BYPASS_REG pin, the regulator is enabled by holding BYPASS_REG low. On all other packages, the regulator is always enabled.

There are three power modes configured by software when the regulator is ON:

- MR mode used in Run/sleep modes or in Stop modes
 - In Run/Sleep modes

The MR mode is used either in the normal mode (default mode) or the over-drive mode (enabled by software). Different voltages scaling are provided to reach the best compromise between maximum frequency and dynamic power consumption. The over-drive mode allows operating at a higher frequency than the normal mode for a given voltage scaling.
 - In Stop modes

The MR can be configured in two ways during stop mode:
 MR operates in normal mode (default mode of MR in stop mode)
 MR operates in under-drive mode (reduced leakage mode).

- LPR is used in the Stop modes:
 The LP regulator mode is configured by software when entering Stop mode.
 Like the MR mode, the LPR can be configured in two ways during stop mode:
 - LPR operates in normal mode (default mode when LPR is ON)
 - LPR operates in under-drive mode (reduced leakage mode).
- Power-down is used in Standby mode.
 The Power-down mode is activated only when entering in Standby mode. The regulator output is in high impedance and the kernel circuitry is powered down, inducing zero consumption. The contents of the registers and SRAM are lost.

Refer to [Table 3](#) for a summary of voltage regulator modes versus device operating modes.

Two external ceramic capacitors should be connected on V_{CAP_1} and V_{CAP_2} pin.

All packages have the regulator ON feature.

Table 3. Voltage regulator configuration mode versus device operating mode⁽¹⁾

| Voltage regulator configuration | Run mode | Sleep mode | Stop mode | Standby mode |
|---------------------------------|----------|------------|-----------|--------------|
| Normal mode | MR | MR | MR or LPR | - |
| Over-drive mode ⁽²⁾ | MR | MR | - | - |
| Under-drive mode | - | - | MR or LPR | - |
| Power-down mode | - | - | - | Yes |

1. '-' means that the corresponding configuration is not available.

2. The over-drive mode is not available when V_{DD} = 1.7 to 2.1 V.

3.19.2 Regulator OFF

This feature is available only on packages featuring the BYPASS_REG pin. The regulator is disabled by holding BYPASS_REG high. The regulator OFF mode allows to supply externally a V₁₂ voltage source through V_{CAP_1} and V_{CAP_2} pins.

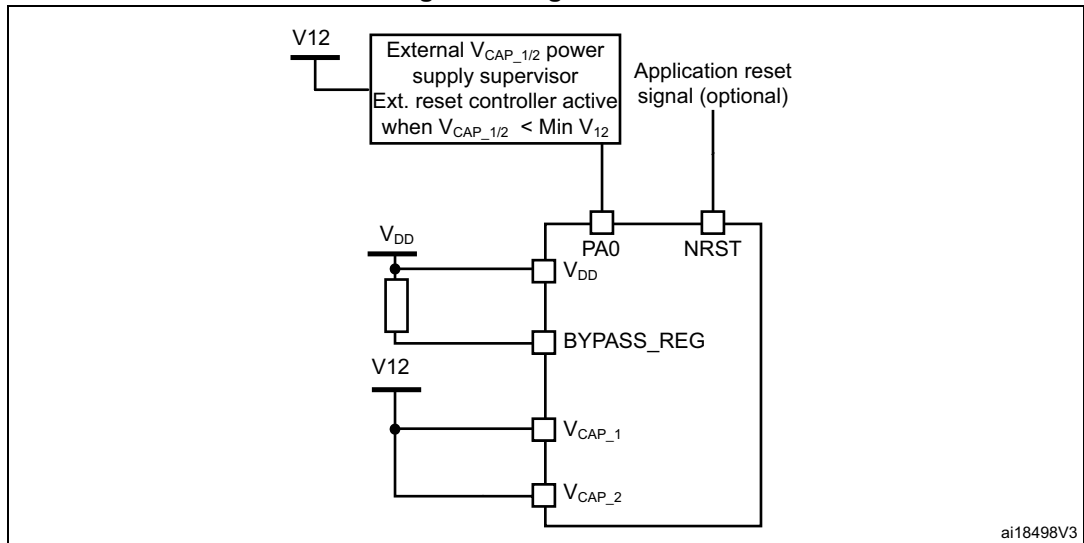
Since the internal voltage scaling is not managed internally, the external voltage value must be aligned with the targeted maximum frequency. The two 2.2 µF ceramic capacitors should be replaced by two 100 nF decoupling capacitors.

When the regulator is OFF, there is no more internal monitoring on V₁₂. An external power supply supervisor should be used to monitor the V₁₂ of the logic power domain. PA0 pin should be used for this purpose, and act as power-on reset on V₁₂ power domain.

In the regulator OFF mode, the following features are no more supported:

- PA0 cannot be used as a GPIO pin since it allows to reset a part of the V₁₂ logic power domain which is not reset by the NRST pin.
- As long as PA0 is kept low, the debug mode cannot be used under power-on reset. As a consequence, PA0 and NRST pins must be managed separately if the debug connection under reset or pre-reset is required.
- The over-drive and under-drive modes are not available.
- The Standby mode is not available.

Figure 8. Regulator OFF

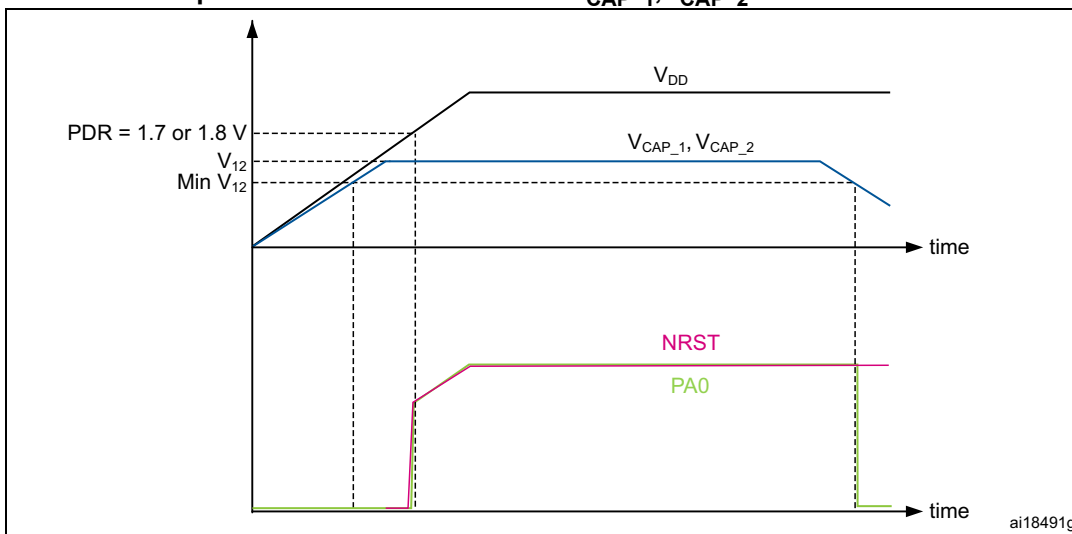


The following conditions must be respected:

- V_{DD} should always be higher than V_{CAP_1} and V_{CAP_2} to avoid current injection between power domains.
- If the time for V_{CAP_1} and V_{CAP_2} to reach V_{12} minimum value is faster than the time for V_{DD} to reach 1.7 V, then PA0 should be kept low to cover both conditions: until V_{CAP_1} and V_{CAP_2} reach V_{12} minimum value and until V_{DD} reaches 1.7 V (see [Figure 9](#)).
- Otherwise, if the time for V_{CAP_1} and V_{CAP_2} to reach V_{12} minimum value is slower than the time for V_{DD} to reach 1.7 V, then PA0 could be asserted low externally (see [Figure 10](#)).
- If V_{CAP_1} and V_{CAP_2} go below V_{12} minimum value and V_{DD} is higher than 1.7 V, then a reset must be asserted on PA0 pin.

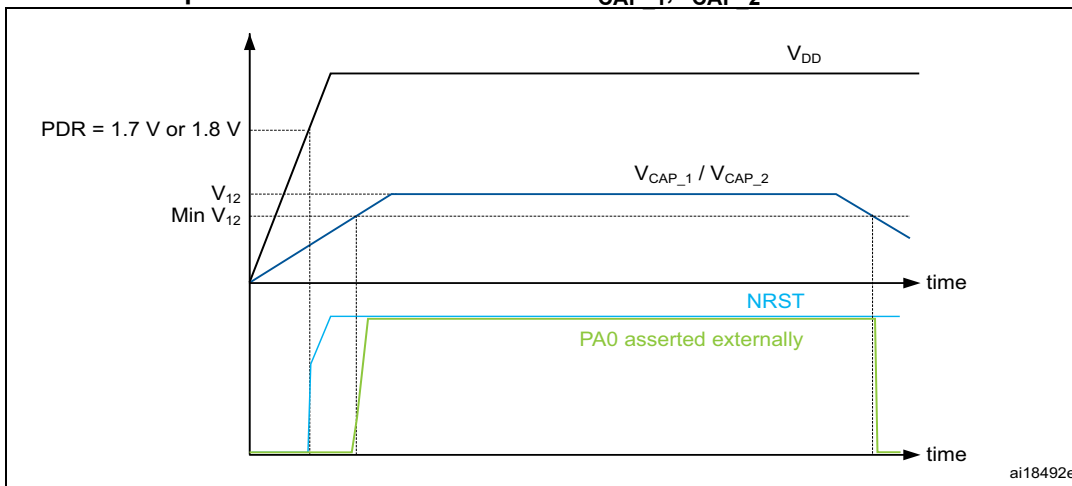
Note: The minimum value of V_{12} depends on the maximum frequency targeted in the application.

Figure 9. Startup in regulator OFF: slow V_{DD} slope - power-down reset risen after V_{CAP_1} , V_{CAP_2} stabilization



1. This figure is valid whatever the internal reset mode (ON or OFF).

Figure 10. Startup in regulator OFF mode: fast V_{DD} slope - power-down reset risen before V_{CAP_1} , V_{CAP_2} stabilization



1. This figure is valid whatever the internal reset mode (ON or OFF).

3.19.3 Regulator ON/OFF and internal reset ON/OFF availability

Table 4. Regulator ON/OFF and internal reset ON/OFF availability

| Package | Regulator ON | Regulator OFF | Internal reset ON | Internal reset OFF |
|--|---|---|--------------------------------------|--------------------------------------|
| LQFP100 | Yes | No | Yes | No |
| LQFP144, LQFP208 | | | Yes PDR_ON set to V _{DD} | Yes PDR_ON set to V _{SS} |
| LQFP176, UFBGA176, TFBGA100, TFBGA216 | Yes BYPASS_REG set to V _{SS} | Yes BYPASS_REG set to V _{DD} | | |
| WLCSP180 | Yes ⁽¹⁾ | | | |

1. Available only on dedicated part number. Refer to [Section 8: Ordering information](#).

3.20 Real-time clock (RTC), backup SRAM and backup registers

The RTC is an independent BCD timer/counter. It supports the following features:

- Calendar with subsecond, seconds, minutes, hours (12 or 24 format), week day, date, month, year, in BCD (binary-coded decimal) format.
- Automatic correction for 28, 29 (leap year), 30, and 31 days of the month.
- Two programmable alarms.
- On-the-fly correction from 1 to 32767 RTC clock pulses. This can be used to synchronize it with a master clock.
- Reference clock detection: a more precise second source clock (50 or 60 Hz) can be used to enhance the calendar precision.
- Digital calibration circuit with 0.95 ppm resolution, to compensate for quartz crystal inaccuracy.
- Three anti-tamper detection pins with programmable filter.
- Timestamp feature which can be used to save the calendar content. This function can be triggered by an event on the timestamp pin, or by a tamper event, or by a switch to V_{BAT} mode.
- 17-bit auto-reload wakeup timer (WUT) for periodic events with programmable resolution and period.

The RTC and the 32 backup registers are supplied through a switch that takes power either from the V_{DD} supply when present or from the V_{BAT} pin.

The backup registers are 32-bit registers used to store 128 bytes of user application data when V_{DD} power is not present. They are not reset by a system or power reset, or when the device wakes up from Standby mode.

The RTC clock sources can be:

- A 32.768 kHz external crystal (LSE)
- An external resonator or oscillator(LSE)
- The internal low power RC oscillator (LSI, with typical frequency of 32 kHz)
- The high-speed external clock (HSE) divided by 32

The RTC is functional in V_{BAT} mode and in all low-power modes when it is clocked by the LSE. When clocked by the LSI, the RTC is not functional in V_{BAT} mode, but is functional in all low-power modes.

All RTC events (Alarm, WakeUp Timer, Timestamp or Tamper) can generate an interrupt and wakeup the device from the low-power modes.

3.21 Low-power modes

The devices support three low-power modes to achieve the best compromise between low power consumption, short startup time and available wakeup sources:

- **Sleep mode**
In Sleep mode, only the CPU is stopped. All peripherals continue to operate and can wake up the CPU when an interrupt/event occurs.
- **Stop mode**
The Stop mode achieves the lowest power consumption while retaining the contents of SRAM and registers. All clocks in the 1.2 V domain are stopped, the PLL, the HSI RC and the HSE crystal oscillators are disabled.
The voltage regulator can be put either in main regulator mode (MR) or in low-power mode (LPR). Both modes can be configured as follows (see [Table 5: Voltage regulator modes in stop mode](#)):
 - Normal mode (default mode when MR or LPR is enabled)
 - Under-drive mode.
 The device can be woken up from the Stop mode by any of the EXTI line (the EXTI line source can be one of the 16 external lines, the PVD output, the RTC alarm / wakeup / tamper / time stamp events, the USB OTG FS/HS wakeup or the Ethernet wakeup and LPTIM1 asynchronous interrupt).

Table 5. Voltage regulator modes in stop mode

| Voltage regulator configuration | Main regulator (MR) | Low-power regulator (LPR) |
|---------------------------------|------------------------|---------------------------|
| Normal mode | MR ON | LPR ON |
| Under-drive mode | MR in under-drive mode | LPR in under-drive mode |

- **Standby mode**
The Standby mode is used to achieve the lowest power consumption. The internal voltage regulator is switched off so that the entire 1.2 V domain is powered off. The PLL, the HSI RC and the HSE crystal oscillators are also switched off. After entering

Standby mode, the SRAM and register contents are lost except for registers in the backup domain and the backup SRAM when selected.

The device exits the Standby mode when an external reset (NRST pin), an IWDG reset, a rising or falling edge on one of the 6 WKUP pins (PA0, PA2, PC1, PC13, PI8, PI11), or an RTC alarm / wakeup / tamper /time stamp event occurs.

The Standby mode is not supported when the embedded voltage regulator is bypassed and the 1.2 V domain is controlled by an external power.

3.22 V_{BAT} operation

The V_{BAT} pin allows to power the device V_{BAT} domain from an external battery, an external supercapacitor, or from V_{DD} when no external battery and an external supercapacitor are present.

V_{BAT} operation is activated when V_{DD} is not present.

The V_{BAT} pin supplies the RTC, the backup registers and the backup SRAM.

Note: When the microcontroller is supplied from V_{BAT} , external interrupts and RTC alarm/events do not exit it from V_{BAT} operation.

When the PDR_ON pin is connected to V_{SS} (Internal Reset OFF), the V_{BAT} functionality is no more available and the V_{BAT} pin should be connected to V_{DD} .

3.23 Timers and watchdogs

The devices include two advanced-control timers, eight general-purpose timers, two basic timers and two watchdog timers.

All timer counters can be frozen in debug mode.

[Table 6](#) compares the features of the advanced-control, general-purpose and basic timers.

Table 6. Timer feature comparison

| Timer type | Timer | Counter resolution | Counter type | Prescaler factor | DMA request generation | Capture/compare channels | Complementary output | Max interface clock (MHz) | Max timer clock (MHz) ⁽¹⁾ |
|-------------------|--------------|--------------------|-------------------|---------------------------------|------------------------|--------------------------|----------------------|---------------------------|--------------------------------------|
| Advanced -control | TIM1, TIM8 | 16-bit | Up, Down, Up/down | Any integer between 1 and 65536 | Yes | 4 | Yes | 108 | 216 |
| General purpose | TIM2, TIM5 | 32-bit | Up, Down, Up/down | Any integer between 1 and 65536 | Yes | 4 | No | 54 | 108/216 |
| | TIM3, TIM4 | 16-bit | Up, Down, Up/down | Any integer between 1 and 65536 | Yes | 4 | No | 54 | 108/216 |
| | TIM9 | 16-bit | Up | Any integer between 1 and 65536 | No | 2 | No | 108 | 216 |
| | TIM10, TIM11 | 16-bit | Up | Any integer between 1 and 65536 | No | 1 | No | 108 | 216 |
| | TIM12 | 16-bit | Up | Any integer between 1 and 65536 | No | 2 | No | 54 | 108/216 |
| | TIM13, TIM14 | 16-bit | Up | Any integer between 1 and 65536 | No | 1 | No | 54 | 108/216 |
| Basic | TIM6, TIM7 | 16-bit | Up | Any integer between 1 and 65536 | Yes | 0 | No | 54 | 108/216 |

1. The maximum timer clock is either 108 or 216 MHz depending on TIMPRE bit configuration in the RCC_DCKCFGR register.

3.23.1 Advanced-control timers (TIM1, TIM8)

The advanced-control timers (TIM1, TIM8) can be seen as three-phase PWM generators multiplexed on 6 channels. They have complementary PWM outputs with programmable inserted dead times. They can also be considered as complete general-purpose timers. Their 4 independent channels can be used for:

- Input capture
- Output compare
- PWM generation (edge- or center-aligned modes)
- One-pulse mode output

If configured as standard 16-bit timers, they have the same features as the general-purpose TIMx timers. If configured as 16-bit PWM generators, they have full modulation capability (0-100%).

The advanced-control timer can work together with the TIMx timers via the Timer Link feature for synchronization or event chaining.

TIM1 and TIM8 support independent DMA request generation.

3.23.2 General-purpose timers (TIMx)

There are ten synchronizable general-purpose timers embedded in the STM32F76xxx devices (see [Table 6](#) for differences).

- **TIM2, TIM3, TIM4, TIM5**

The STM32F76xxx include 4 full-featured general-purpose timers: TIM2, TIM5, TIM3, and TIM4. The TIM2 and TIM5 timers are based on a 32-bit auto-reload up/downcounter and a 16-bit prescaler. The TIM3 and TIM4 timers are based on a 16-bit auto-reload up/downcounter and a 16-bit prescaler. They all feature 4 independent channels for input capture/output compare, PWM or one-pulse mode output. This gives up to 16 input capture/output compare/PWMs on the largest packages.

The TIM2, TIM3, TIM4, TIM5 general-purpose timers can work together, or with the other general-purpose timers and the advanced-control timers TIM1 and TIM8 via the Timer Link feature for synchronization or event chaining.

Any of these general-purpose timers can be used to generate PWM outputs.

TIM2, TIM3, TIM4, TIM5 all have independent DMA request generation. They are capable of handling quadrature (incremental) encoder signals and the digital outputs from 1 to 4 hall-effect sensors.

- **TIM9, TIM10, TIM11, TIM12, TIM13, and TIM14**

These timers are based on a 16-bit auto-reload upcounter and a 16-bit prescaler. TIM10, TIM11, TIM13, and TIM14 feature one independent channel, whereas TIM9 and TIM12 have two independent channels for input capture/output compare, PWM or one-pulse mode output. They can be synchronized with the TIM2, TIM3, TIM4, TIM5 full-featured general-purpose timers. They can also be used as simple time bases.

3.23.3 Basic timers TIM6 and TIM7

These timers are mainly used for DAC trigger and waveform generation. They can also be used as a generic 16-bit time base.

TIM6 and TIM7 support independent DMA request generation.

3.23.4 Low-power timer (LPTIM1)

The low-power timer has an independent clock and is running also in Stop mode if it is clocked by LSE, LSI or an external clock. It is able to wakeup the devices from Stop mode.

This low-power timer supports the following features:

- 16-bit up counter with 16-bit autoreload register
- 16-bit compare register
- Configurable output: pulse, PWM
- Continuous / one-shot mode
- Selectable software / hardware input trigger
- Selectable clock source:
 - Internal clock source: LSE, LSI, HSI or APB clock
 - External clock source over LPTIM input (working even with no internal clock source running, used by the Pulse Counter Application)
- Programmable digital glitch filter
- Encoder mode

3.23.5 Independent watchdog

The independent watchdog is based on a 12-bit downcounter and 8-bit prescaler. It is clocked from an independent 32 kHz internal RC and as it operates independently from the main clock, it can operate in Stop and Standby modes. It can be used either as a watchdog to reset the device when a problem occurs, or as a free-running timer for application timeout management. It is hardware- or software-configurable through the option bytes.

3.23.6 Window watchdog

The window watchdog is based on a 7-bit downcounter that can be set as free-running. It can be used as a watchdog to reset the device when a problem occurs. It is clocked from the main clock. It has an early warning interrupt capability and the counter can be frozen in debug mode.

3.23.7 SysTick timer

This timer is dedicated to real-time operating systems, but could also be used as a standard downcounter. It features:

- A 24-bit downcounter
- Autoreload capability
- Maskable system interrupt generation when the counter reaches 0
- Programmable clock source

3.24 Inter-integrated circuit interface (I²C)

The devices embed 4 I2C. Refer to table [Table 7: I2C implementation](#) for the features implementation.

The I²C bus interface handles communications between the microcontroller and the serial I²C bus. It controls all I²C bus-specific sequencing, protocol, arbitration and timing.

The I2C peripheral supports:

- I²C-bus specification and user manual rev. 5 compatibility:
 - Slave and master modes, multimaster capability
 - Standard-mode (Sm), with a bitrate up to 100 kbit/s
 - Fast-mode (Fm), with a bitrate up to 400 kbit/s
 - Fast-mode Plus (Fm+), with a bitrate up to 1 Mbit/s and 20 mA output drive I/Os
 - 7-bit and 10-bit addressing mode, multiple 7-bit slave addresses
 - Programmable setup and hold times
 - Optional clock stretching
- System Management Bus (SMBus) specification rev 2.0 compatibility:
 - Hardware PEC (Packet Error Checking) generation and verification with ACK control
 - Address resolution protocol (ARP) support
 - SMBus alert
- Power System Management Protocol (PMBus™) specification rev 1.1 compatibility
- Independent clock: a choice of independent clock sources allowing the I2C communication speed to be independent from the PCLK reprogramming.
- Programmable analog and digital noise filters
- 1-byte buffer with DMA capability

Table 7. I2C implementation

| I2C features ⁽¹⁾ | I2C1 | I2C2 | I2C3 | I2C4 |
|--|------|------|------|------|
| Standard-mode (up to 100 kbit/s) | X | X | X | X |
| Fast-mode (up to 400 kbit/s) | X | X | X | X |
| Fast-mode Plus with 20 mA output drive I/Os (up to 1 Mbit/s) | X | X | X | X |
| Programmable analog and digital noise filters | X | X | X | X |
| SMBus/PMBus hardware support | X | X | X | X |
| Independent clock | X | X | X | X |

1. X: supported.

3.25 Universal synchronous/asynchronous receiver transmitters (USART)

The devices embed USART. Refer to [Table 8: USART implementation](#) for the features implementation.

The universal synchronous asynchronous receiver transmitter (USART) offers a flexible means of full-duplex data exchange with external equipment requiring an industry standard NRZ asynchronous serial data format.

The USART peripheral supports:

- Full-duplex asynchronous communications
- Configurable oversampling method by 16 or 8 to give flexibility between speed and clock tolerance
- Dual clock domain allowing convenient baud rate programming independent from the PCLK reprogramming
- A common programmable transmit and receive baud rate of up to 27 Mbit/s when the USART clock source is system clock frequency (max is 216 MHz) and oversampling by 8 is used.
- Auto baud rate detection
- Programmable data word length (7 or 8 or 9 bits) word length
- Programmable data order with MSB-first or LSB-first shifting
- Programmable parity (odd, even, no parity)
- Configurable stop bits (1 or 1.5 or 2 stop bits)
- Synchronous mode and clock output for synchronous communications
- Single-wire half-duplex communications
- Separate signal polarity control for transmission and reception
- Swappable Tx/Rx pin configuration
- Hardware flow control for modem and RS-485 transceiver
- Multiprocessor communications
- LIN master synchronous break send capability and LIN slave break detection capability
- IrDA SIR encoder decoder supporting 3/16 bit duration for normal mode
- Smartcard mode (T=0 and T=1 asynchronous protocols for Smartcards as defined in the ISO/IEC 7816-3 standard)
- Support for Modbus communication

[Table 8](#) summarizes the implementation of all U(S)ARTs instances

Table 8. USART implementation

| features ⁽¹⁾ | USART1/2/3/6 | UART4/5/7/8 |
|------------------------------------|-----------------|-------------|
| Data Length | 7, 8 and 9 bits | |
| Hardware flow control for modem | X | X |
| Continuous communication using DMA | X | X |
| Multiprocessor communication | X | X |
| Synchronous mode | X | - |

Table 8. USART implementation (continued)

| features ⁽¹⁾ | USART1/2/3/6 | UART4/5/7/8 |
|---------------------------------------|--------------|-------------|
| Smartcard mode | X | - |
| Single-wire half-duplex communication | X | X |
| IrDA SIR ENDEC block | X | X |
| LIN mode | X | X |
| Dual clock domain | X | X |
| Receiver timeout interrupt | X | X |
| Modbus communication | X | X |
| Auto baud rate detection | X | X |
| Driver Enable | X | X |

1. X: supported.

3.26 Serial peripheral interface (SPI)/inter- integrated sound interfaces (I2S)

The devices feature up to six SPIs in slave and master modes in full-duplex and simplex communication modes. SPI1, SPI4, SPI5, and SPI6 can communicate at up to 54 Mbits/s, SPI2 and SPI3 can communicate at up to 25 Mbit/s. The 3-bit prescaler gives 8 master mode frequencies and the frame is configurable from 4 to 16 bits. The SPI interfaces support NSS pulse mode, TI mode and Hardware CRC calculation. All the SPIs can be served by the DMA controller.

Three standard I²S interfaces (multiplexed with SPI1, SPI2 and SPI3) are available. They can be operated in master or slave mode, in simplex communication modes, and can be configured to operate with a 16-/32-bit resolution as an input or output channel. Audio sampling frequencies from 8 kHz up to 192 kHz are supported. When either or both of the I²S interfaces is/are configured in master mode, the master clock can be output to the external DAC/CODEC at 256 times the sampling frequency.

All I2Sx can be served by the DMA controller.

3.27 Serial audio interface (SAI)

The devices embed two serial audio interfaces.

The serial audio interface is based on two independent audio subblocks which can operate as transmitter or receiver with their FIFO. Many audio protocols are supported by each block: I2S standards, LSB or MSB-justified, PCM/DSP, TDM, AC'97 and SPDIF output, supporting audio sampling frequencies from 8 kHz up to 192 kHz. Both subblocks can be configured in master or in slave mode.

In master mode, the master clock can be output to the external DAC/CODEC at 256 times of the sampling frequency.

The two sub-blocks can be configured in synchronous mode when full-duplex mode is required.

SAI1 and SAI2 can be served by the DMA controller

3.28 SPDIFRX Receiver Interface (SPDIFRX)

The SPDIFRX peripheral, is designed to receive an S/PDIF flow compliant with IEC-60958 and IEC-61937. These standards support simple stereo streams up to high sample rate, and compressed multi-channel surround sound, such as those defined by Dolby or DTS (up to 5.1).

The main features of the SPDIFRX are the following:

- Up to 4 inputs available
- Automatic symbol rate detection
- Maximum symbol rate: 12.288 MHz
- Stereo stream from 32 to 192 kHz supported
- Supports Audio IEC-60958 and IEC-61937, consumer applications
- Parity bit management
- Communication using DMA for audio samples
- Communication using DMA for control and user channel information
- Interrupt capabilities

The SPDIFRX receiver provides all the necessary features to detect the symbol rate, and decode the incoming data stream. The user can select the wanted SPDIF input, and when a valid signal is available, the SPDIFRX re-samples the incoming signal, decodes the manchester stream, recognizes frames, sub-frames and blocks elements. It delivers to the CPU decoded data, and associated status flags.

The SPDIFRX also offers a signal named `spdif_frame_sync`, which toggles at the S/PDIF sub-frame rate that is used to compute the exact sample rate for clock drift algorithms.

3.29 Audio PLL (PLLI2S)

The devices feature an additional dedicated PLL for audio I²S and SAI applications. It allows to achieve error-free I²S sampling clock accuracy without compromising on the CPU performance, while using USB peripherals.

The PLLI2S configuration can be modified to manage an I²S/SAI sample rate change without disabling the main PLL (PLL) used for CPU, USB and Ethernet interfaces.

The audio PLL can be programmed with very low error to obtain sampling rates ranging from 8 KHz to 192 KHz.

In addition to the audio PLL, a master clock input pin can be used to synchronize the I²S/SAI flow with an external PLL (or Codec output).

3.30 Audio and LCD PLL (PLLSAI)

An additional PLL dedicated to audio and LCD-TFT is used for SAI1 peripheral in case the PLLI2S is programmed to achieve another audio sampling frequency (49.152 MHz or 11.2896 MHz) and the audio application requires both sampling frequencies simultaneously.

The PLLSAI is also used to generate the LCD-TFT clock.

3.31 SD/SDIO/MMC card host interface (SDMMC)

SDMMC host interfaces are available, that support the MultiMediaCard System Specification Version 4.2 in three different databus modes: 1-bit (default), 4-bit and 8-bit.

The interface allows data transfer at up to 50 MHz, and is compliant with the SD Memory Card Specification Version 2.0.

The SDMMC Card Specification Version 2.0 is also supported with two different databus modes: 1-bit (default) and 4-bit.

The current version supports only one SD/SDMMC/MMC4.2 card at any one time and a stack of MMC4.1 or previous.

The SDMMC can be served by the DMA controller

3.32 Ethernet MAC interface with dedicated DMA and IEEE 1588 support

The devices provide an IEEE-802.3-2002-compliant media access controller (MAC) for ethernet LAN communications through an industry-standard medium-independent interface (MII) or a reduced medium-independent interface (RMII). The microcontroller requires an external physical interface device (PHY) to connect to the physical LAN bus (twisted-pair, fiber, etc.). The PHY is connected to the device MII port using 17 signals for MII or 9 signals for RMII, and can be clocked using the 25 MHz (MII) from the microcontroller.

The devices include the following features:

- Supports 10 and 100 Mbit/s rates
- Dedicated DMA controller allowing high-speed transfers between the dedicated SRAM and the descriptors
- Tagged MAC frame support (VLAN support)
- Half-duplex (CSMA/CD) and full-duplex operation
- MAC control sublayer (control frames) support
- 32-bit CRC generation and removal
- Several address filtering modes for physical and multicast address (multicast and group addresses)
- 32-bit status code for each transmitted or received frame
- Internal FIFOs to buffer transmit and receive frames. The transmit FIFO and the receive FIFO are both 2 Kbytes.
- Supports hardware PTP (precision time protocol) in accordance with IEEE 1588 2008 (PTP V2) with the time stamp comparator connected to the TIM2 input
- Triggers interrupt when system time becomes greater than target time

3.33 Controller area network (bxCAN)

The three CANs are compliant with the 2.0A and B (active) specifications with a bit rate up to 1 Mbit/s. They can receive and transmit standard frames with 11-bit identifiers as well as extended frames with 29-bit identifiers. Each CAN has three transmit mailboxes, two receive FIFOs with 3 stages and 28 shared scalable filter banks (all of them can be used even if one CAN is used). 256 bytes of SRAM are allocated for CAN1 and CAN2. 512 bytes of SRAM are dedicated for CAN3.

3.34 Universal serial bus on-the-go full-speed (OTG_FS)

The devices embed an USB OTG full-speed device/host/OTG peripheral with integrated transceivers. The USB OTG FS peripheral is compliant with the USB 2.0 specification and with the OTG 2.0 specification. It has software-configurable endpoint setting and supports suspend/resume. The USB OTG controller requires a dedicated 48 MHz clock that is generated by a PLL connected to the HSE oscillator.

The major features are:

- Combined Rx and Tx FIFO size of 1.28 Kbytes with dynamic FIFO sizing
- Supports the session request protocol (SRP) and host negotiation protocol (HNP)
- 1 bidirectional control endpoint + 5 IN endpoints + 5 OUT endpoints
- 12 host channels with periodic OUT support
- Software configurable to OTG1.3 and OTG2.0 modes of operation
- USB 2.0 LPM (Link Power Management) support
- Battery Charging Specification Revision 1.2 support
- Internal FS OTG PHY support
- HNP/SNP/IP inside (no need for any external resistor)

For the OTG/Host modes, a power switch is needed in case bus-powered devices are connected

3.35 Universal serial bus on-the-go high-speed (OTG_HS)

The devices embed a USB OTG high-speed (up to 480 Mbit/s) device/host/OTG peripheral. The USB OTG HS supports both full-speed and high-speed operations. It integrates the transceivers for full-speed operation (12 Mbit/s) and features a UTMI low-pin interface (ULPI) for high-speed operation (480 Mbit/s). When using the USB OTG HS in HS mode, an external PHY device connected to the ULPI is required.

The USB OTG HS peripheral is compliant with the USB 2.0 specification and with the OTG 2.0 specification. It has software-configurable endpoint setting and supports suspend/resume. The USB OTG controller requires a dedicated 48 MHz clock that is generated by a PLL connected to the HSE oscillator.

The major features are:

- Combined Rx and Tx FIFO size of 4 Kbytes with dynamic FIFO sizing
- Supports the session request protocol (SRP) and host negotiation protocol (HNP)
- 8 bidirectional endpoints
- 16 host channels with periodic OUT support

- Software configurable to OTG1.3 and OTG2.0 modes of operation
- USB 2.0 LPM (Link Power Management) support
- Battery Charging Specification Revision 1.2 support
- Internal FS OTG PHY support
- External HS or HS OTG operation supporting ULPI in SDR mode. The OTG PHY is connected to the microcontroller ULPI port through 12 signals. It can be clocked using the 60 MHz output.
- Internal USB DMA
- HNP/SNP/IP inside (no need for any external resistor)
- for OTG/Host modes, a power switch is needed in case bus-powered devices are connected

3.36 High-definition multimedia interface (HDMI) - consumer electronics control (CEC)

The devices embed a HDMI-CEC controller that provides hardware support for the Consumer Electronics Control (CEC) protocol (Supplement 1 to the HDMI standard).

This protocol provides high-level control functions between all audiovisual products in an environment. It is specified to operate at low speeds with minimum processing and memory overhead. It has a clock domain independent from the CPU clock, allowing the HDMI-CEC controller to wakeup the MCU from Stop mode on data reception.

3.37 Digital camera interface (DCMI)

The devices embed a camera interface that can connect with camera modules and CMOS sensors through an 8-bit to 14-bit parallel interface, to receive video data. The camera interface can sustain a data transfer rate up to 54 Mbytes/s in 8-bit mode at 54 MHz. It features:

- Programmable polarity for the input pixel clock and synchronization signals
- Parallel data communication can be 8-, 10-, 12- or 14-bit
- Supports 8-bit progressive video monochrome or raw bayer format, YCbCr 4:2:2 progressive video, RGB 565 progressive video or compressed data (like JPEG)
- Supports continuous mode or snapshot (a single frame) mode
- Capability to automatically crop the image

3.38 Management Data Input/Output (MDIO) slaves

The devices embed a MDIO slave interface it includes the following features:

- 32 MDIO Registers addresses, each of which is managed using separate input and output data registers:
 - 32 x 16-bit firmware read/write, MDIO read-only output data registers
 - 32 x 16-bit firmware read-only, MDIO write-only input data registers
- Configurable slave (port) address
- Independently maskable interrupts/events:
 - MDIO Register write
 - MDIO Register read
 - MDIO protocol error
- Able to operate in and wake up from STOP mode

3.39 Random number generator (RNG)

All the devices embed an RNG that delivers 32-bit random numbers generated by an integrated analog circuit.

3.40 General-purpose input/outputs (GPIOs)

Each of the GPIO pins can be configured by software as output (push-pull or open-drain, with or without pull-up or pull-down), as input (floating, with or without pull-up or pull-down) or as peripheral alternate function. Most of the GPIO pins are shared with digital or analog alternate functions. All GPIOs are high-current-capable and have speed selection to better manage internal noise, power consumption and electromagnetic emission.

The I/O configuration can be locked if needed by following a specific sequence in order to avoid spurious writing to the I/Os registers.

A fast I/O handling allows a maximum I/O toggling up to 108 MHz.

3.41 Analog-to-digital converters (ADCs)

Three 12-bit analog-to-digital converters are embedded and each ADC shares up to 16 external channels, performing conversions in the single-shot or scan mode. In scan mode, automatic conversion is performed on a selected group of analog inputs.

Additional logic functions embedded in the ADC interface allow:

- Simultaneous sample and hold
- Interleaved sample and hold

The ADC can be served by the DMA controller. An analog watchdog feature allows very precise monitoring of the converted voltage of one, some or all selected channels. An interrupt is generated when the converted voltage is outside the programmed thresholds.

To synchronize A/D conversion and timers, the ADCs could be triggered by any of TIM1, TIM2, TIM3, TIM4, TIM5, or TIM8 timer.

3.42 Digital filter for Sigma-Delta Modulators (DFSDM)

The devices embed one DFSDM with 4 digital filters modules and 8 external input serial channels (transceivers) or alternately 8 internal parallel inputs support. The DFSDM peripheral is dedicated to interface the external $\Sigma\Delta$ modulators to microcontroller and then to perform digital filtering of the received data streams (which represent analog value on $\Sigma\Delta$ modulators inputs). The DFSDM can also interface PDM (Pulse Density Modulation) microphones and perform PDM to PCM conversion and filtering in hardware. The DFSDM features optional parallel data stream inputs from microcontrollers memory (through DMA/CPU transfers into DFSDM). The DFSDM transceivers support several serial interface formats (to support various $\Sigma\Delta$ modulators). The DFSDM digital filter modules perform digital processing according user selected filter parameters with up to 24-bit final ADC resolution.

The DFSDM peripheral supports:

- 8 multiplexed input digital serial channels:
 - Configurable SPI interface to connect various SD modulator(s)
 - Configurable Manchester coded 1 wire interface support
 - PDM (Pulse Density Modulation) microphone input support
 - Maximum input clock frequency up to 20 MHz (10 MHz for Manchester coding)
 - Clock output for SD modulator(s): 0..20 MHz
- Alternative inputs from 8 internal digital parallel channels (up to 16 bit input resolution):
 - internal sources: device memory data streams (DMA)
- 4 digital filter modules with adjustable digital signal processing:
 - Sincxfilter: filter order/type (1..5), oversampling ratio (up to 1..1024)
 - integrator: oversampling ratio (1..256)
- Up to 24-bit output data resolution, signed output data format
- Automatic data offset correction (offset stored in register by user)
- Continuous or single conversion
- Start-of-conversion triggered by:
 - Software trigger
 - Internal timers
 - External events
 - Start-of-conversion synchronously with first digital filter module (DFSDM0)
- Analog watchdog feature:
 - Low value and high value data threshold registers
 - Dedicated configurable Sincx digital filter (order = 1..3, oversampling ratio = 1..32)
 - Input from final output data or from selected input digital serial channels
 - Continuous monitoring independently from standard conversion
- Short circuit detector to detect saturated analog input values (bottom and top range):
 - Up to 8-bit counter to detect 1..256 consecutive 0's or 1's on serial data stream
 - Monitoring continuously each input serial channel
- Break signal generation on analog watchdog event or on short circuit detector event
- Extremes detector:
 - Storage of minimum and maximum values of final conversion data

- Refreshed by software
- DMA capability to read the final conversion data
- Interrupts: end of conversion, overrun, analog watchdog, short circuit, input serial channel clock absence
- “regular” or “injected” conversions:
 - “regular” conversions can be requested at any time or even in continuous mode without having any impact on the timing of “injected” conversions
 - “injected” conversions for precise timing and with high conversion priority

Table 9. DFSDM implementation

| DFSDM features | DFSDM1 |
|--|--------|
| Number of filters: x (DFSDM_FLTx) | 4 |
| Number of input transceivers/channels: y (DFSDM_CHy) | 8 |
| Internal ADC parallel input support | - |
| Number of external triggers (JEXTSEL size) | 32 |
| ID register support | - |

3.43 Temperature sensor

The temperature sensor has to generate a voltage that varies linearly with the temperature. The conversion range is between 1.7 V and 3.6 V. The temperature sensor is internally connected to the same input channel as V_{BAT} , ADC1_IN18, which is used to convert the sensor output voltage into a digital value. When the temperature sensor and V_{BAT} conversion are enabled at the same time, only V_{BAT} conversion is performed.

As the offset of the temperature sensor varies from chip to chip due to process variation, the internal temperature sensor is mainly suitable for applications that detect temperature changes instead of absolute temperatures. If an accurate temperature reading is needed, then an external temperature sensor part should be used.

3.44 Digital-to-analog converter (DAC)

The two 12-bit buffered DAC channels can be used to convert two digital signals into two analog voltage signal outputs.

This dual digital Interface supports the following features:

- Two DAC converters: one for each output channel
- 8-bit or 12-bit monotonic output
- Left or right data alignment in 12-bit mode
- Synchronized update capability
- Noise-wave generation
- Triangular-wave generation
- Dual DAC channel independent or simultaneous conversions
- DMA capability for each channel
- External triggers for conversion
- Input voltage reference V_{REF+}

Eight DAC trigger inputs are used in the device. The DAC channels are triggered through the timer update outputs that are also connected to different DMA streams.

3.45 Serial wire JTAG debug port (SWJ-DP)

The Arm SWJ-DP interface is embedded, and is a combined JTAG and serial wire debug port that enables either a serial wire debug or a JTAG probe to be connected to the target.

The debug is performed using 2 pins only instead of 5 required by the JTAG (JTAG pins could be re-use as GPIO with alternate function): the JTAG TMS and TCK pins are shared with SWDIO and SWCLK, respectively, and a specific sequence on the TMS pin is used to switch between JTAG-DP and SW-DP.

3.46 Embedded Trace Macrocell™

The Arm embedded trace Macrocell provides a greater visibility of the instruction and data flow inside the CPU core by streaming compressed data at a very high rate from the STM32F76xxx through a small number of ETM pins to an external hardware trace port analyzer (TPA) device. The TPA is connected to a host computer using USB, Ethernet, or

any other high-speed channel. Real-time instruction and data flow activity can be recorded and then formatted for display on the host computer that runs the debugger software. TPA hardware is commercially available from common development tool vendors.

The Embedded Trace Macrocell operates with third party debugger software tools.

3.47 DSI Host (DSIHOST)

The DSI Host is a dedicated peripheral for interfacing with MIPI[®] DSI compliant displays. It includes a dedicated video interface internally connected to the LTDC and a generic APB interface that can be used to transmit information to the display.

These interfaces are as follows:

- LTDC interface:
 - Used to transmit information in Video mode, in which the transfers from the host processor to the peripheral take the form of a real-time pixel stream (DPI).
 - Through a customized for mode, this interface can be used to transmit information in full bandwidth in the Adapted Command mode (DBI).
- APB slave interface:
 - Allows the transmission of generic information in Command mode, and follows a proprietary register interface.
 - Can operate concurrently with either LTDC interface in either Video mode or Adapted Command mode.
- Video mode pattern generator:
 - Allows the transmission of horizontal/vertical color bar and D-PHY BER testing pattern without any kind of stimuli.

The DSI Host main features:

- Compliant with MIPI[®] Alliance standards
- Interface with MIPI[®] D-PHY
- Supports all commands defined in the MIPI[®] Alliance specification for DCS:
 - Transmission of all Command mode packets through the APB interface
 - Transmission of commands in low-power and high-speed during Video mode
- Supports up to two D-PHY data lanes
- Bidirectional communication and escape mode support through data lane 0
- Supports non-continuous clock in D-PHY clock lane for additional power saving
- Supports Ultra Low-power mode with PLL disabled
- ECC and Checksum capabilities
- Support for End of Transmission Packet (EoTp)
- Fault recovery schemes
- 3D transmission support
- Configurable selection of system interfaces:
 - AMBA APB for control and optional support for Generic and DCS commands
 - Video Mode interface through LTDC
 - Adapted Command mode interface through LTDC
- Independently programmable Virtual Channel ID in

- Video mode
- Adapted Command mode
- APB Slave

Video Mode interfaces features:

- LTDC interface color coding mappings into 24-bit interface:
 - 16-bit RGB, configurations 1, 2, and 3
 - 18-bit RGB, configurations 1 and 2
 - 24-bit RGB
- Programmable polarity of all LTDC interface signals
- Maximum resolution is limited by available DSI physical link bandwidth:
 - Number of lanes: 2
 - Maximum speed per lane: 500 Mbps1Gbps

Adapted interface features

Support for sending large amounts of data through the memory_write_start(WMS) and memory_write_continue(WMC) DCS commands

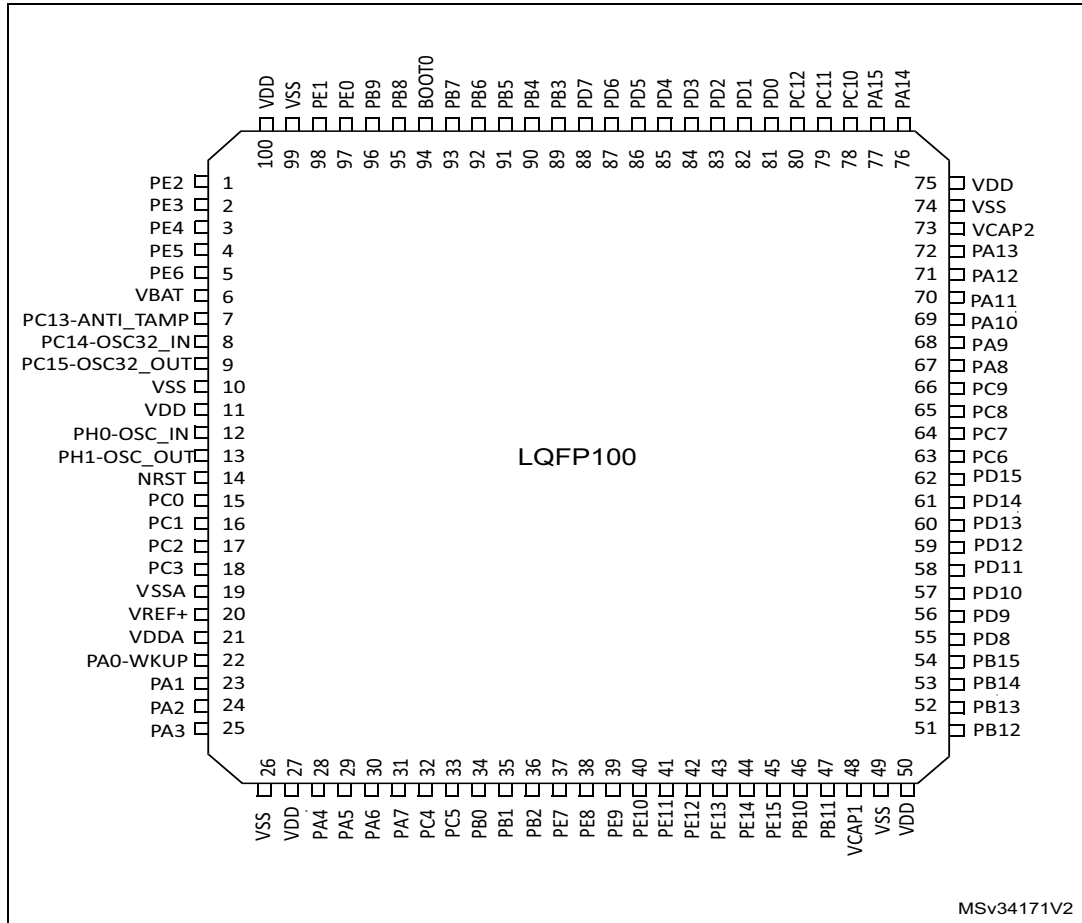
- LTDC interface color coding mappings into 24-bit interface:
 - 16-bit RGB, configurations 1, 2, and 3
 - 18-bit RGB, configurations 1 and 2
 - 24-bit RGB

Video mode pattern generator:

- Vertical and horizontal color bar generation without LTDC stimuli
- BER pattern without LTDC stimuli

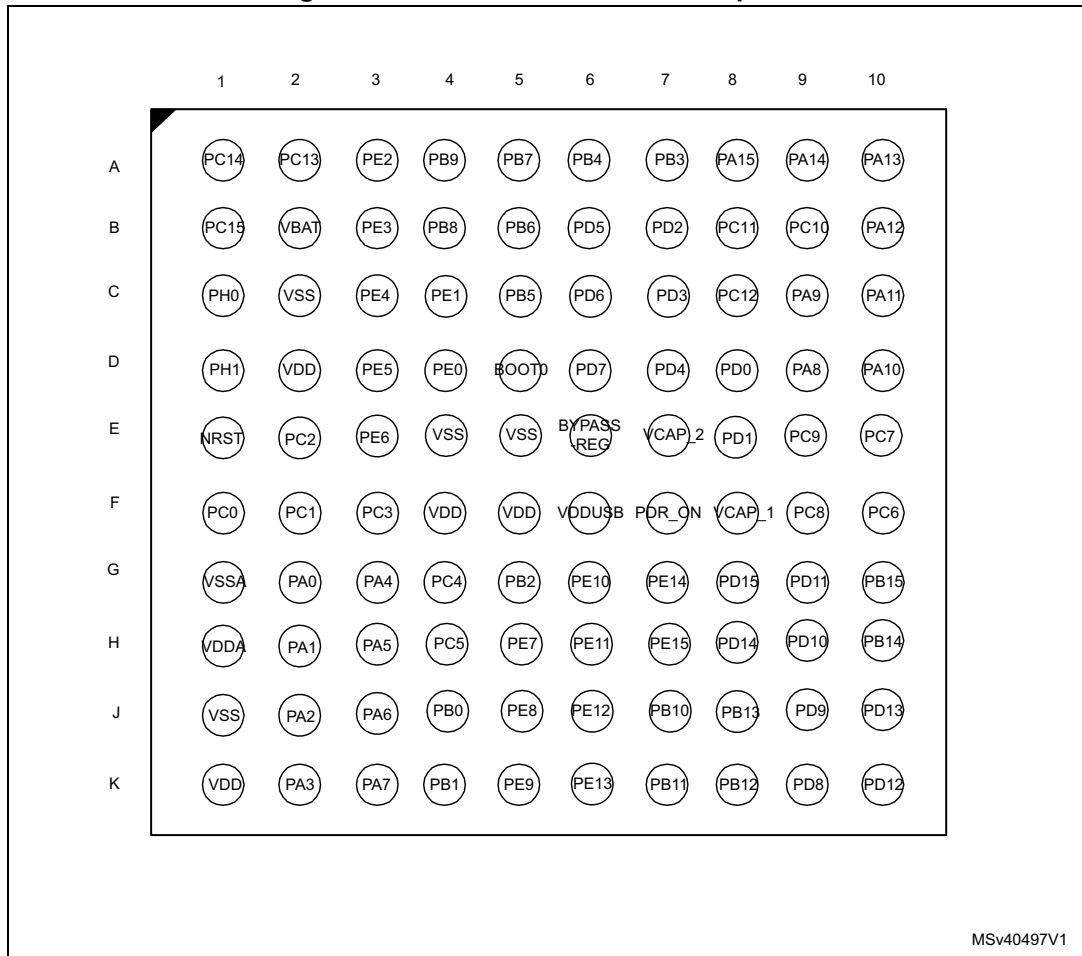
4 Pinouts and pin description

Figure 11. STM32F76xxx LQFP100 pinout



1. The above figure shows the package top view.

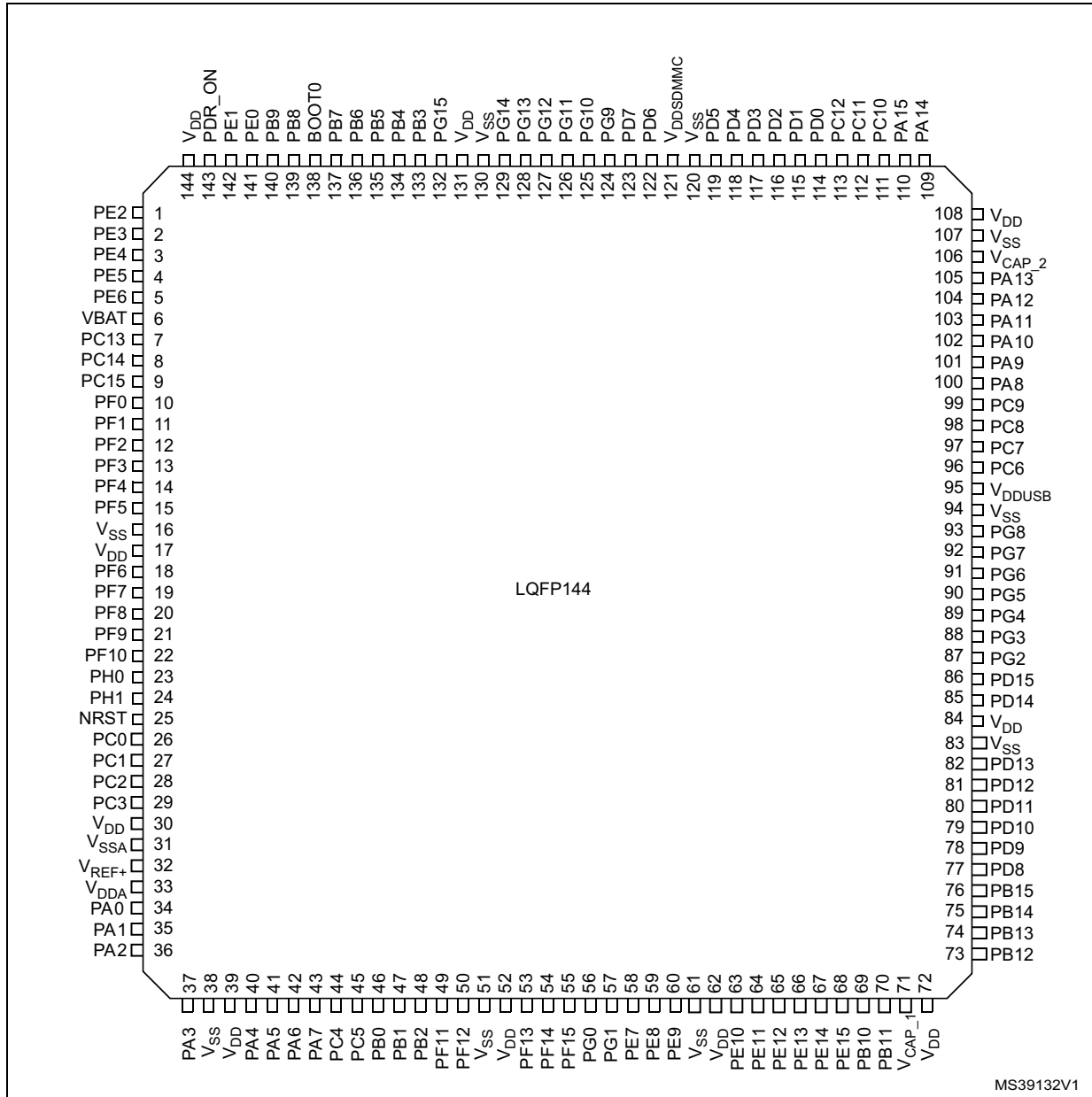
Figure 12. STM32F76xxx TFBGA100 pinout



MSv40497V1

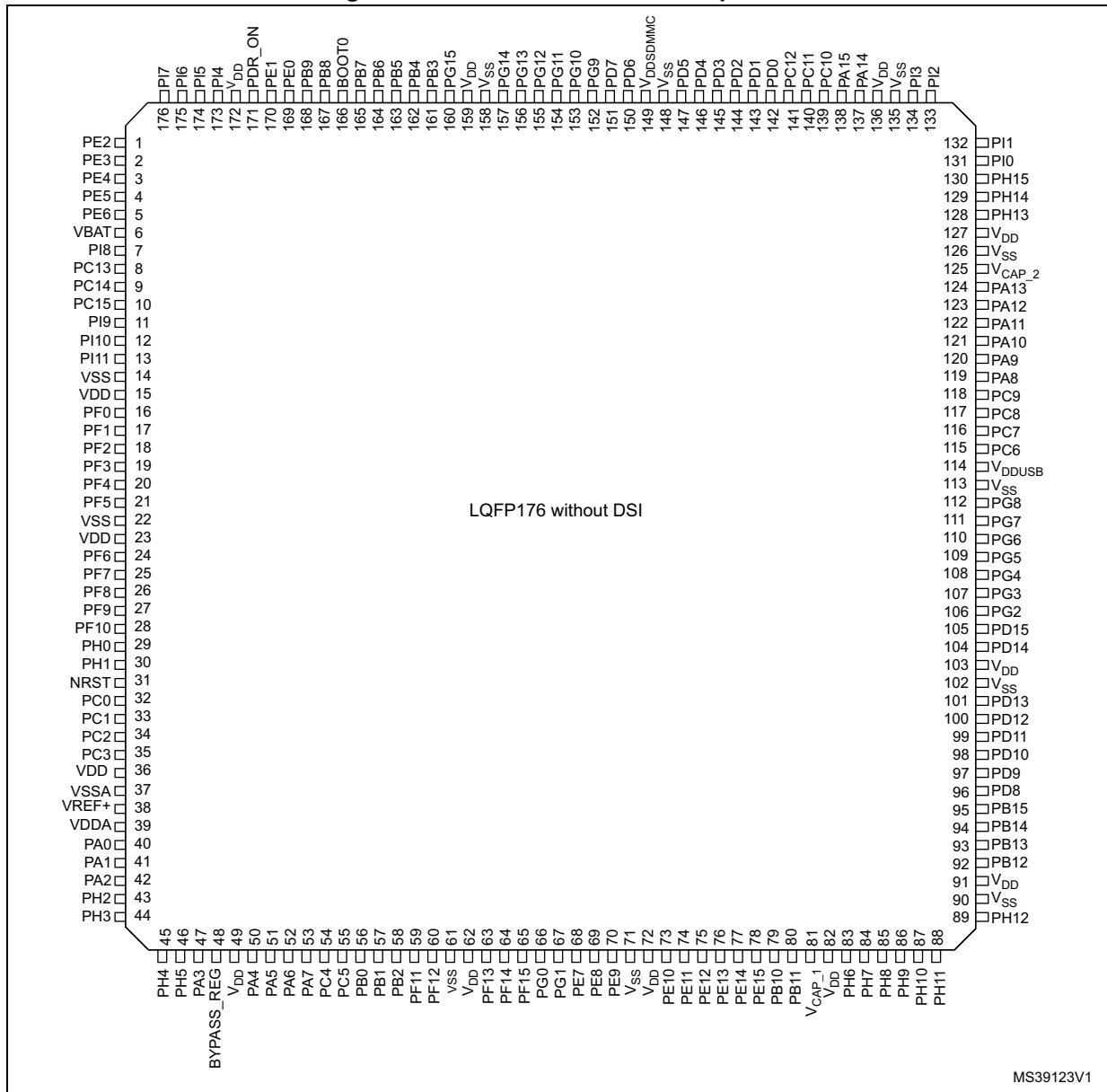
1. The above figure shows the package top view.

Figure 13. STM32F76xxx LQFP144 pinout



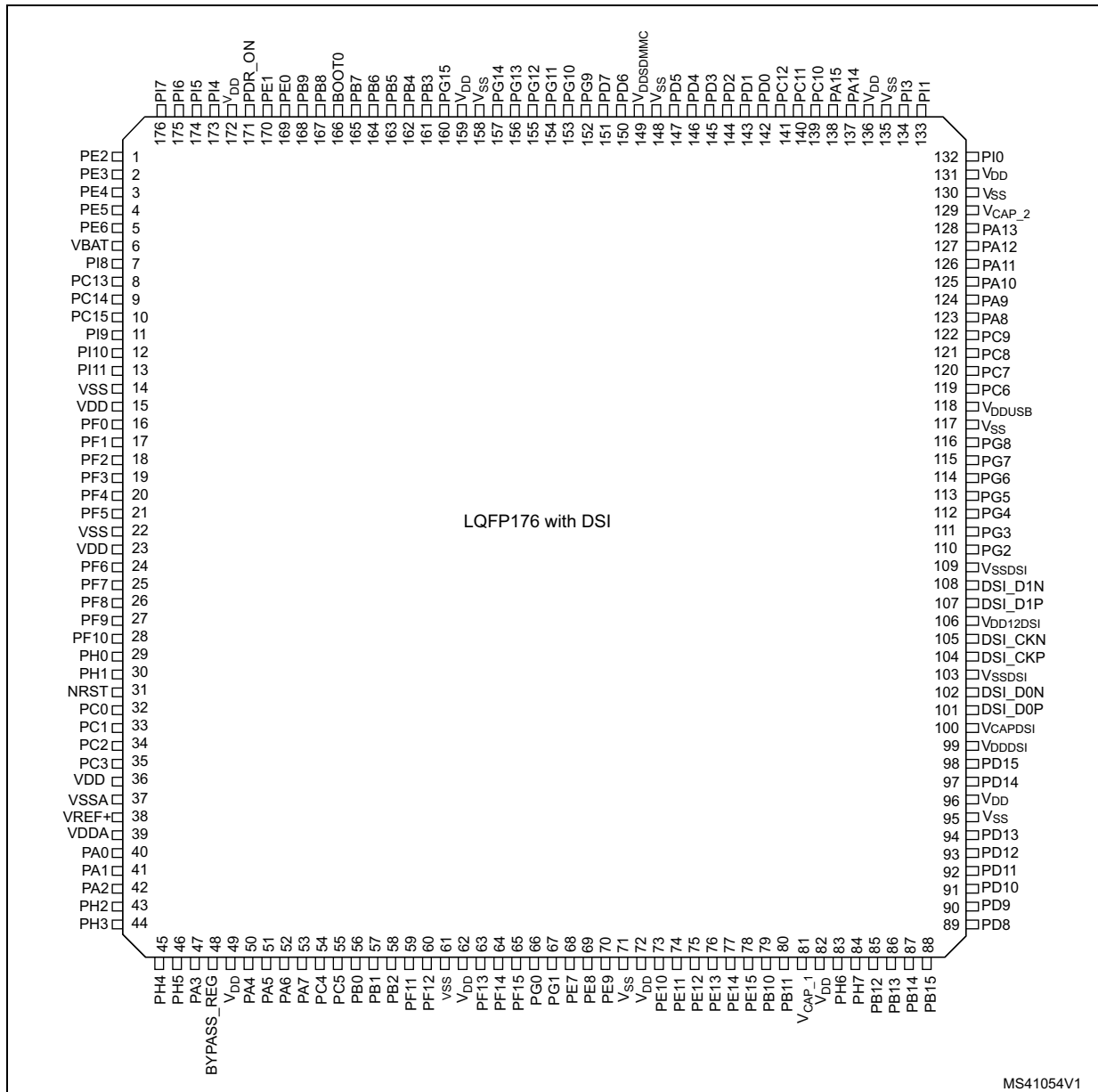
1. The above figure shows the package top view.

Figure 14. STM32F76xxx LQFP176 pinout



1. The above figure shows the package top view.

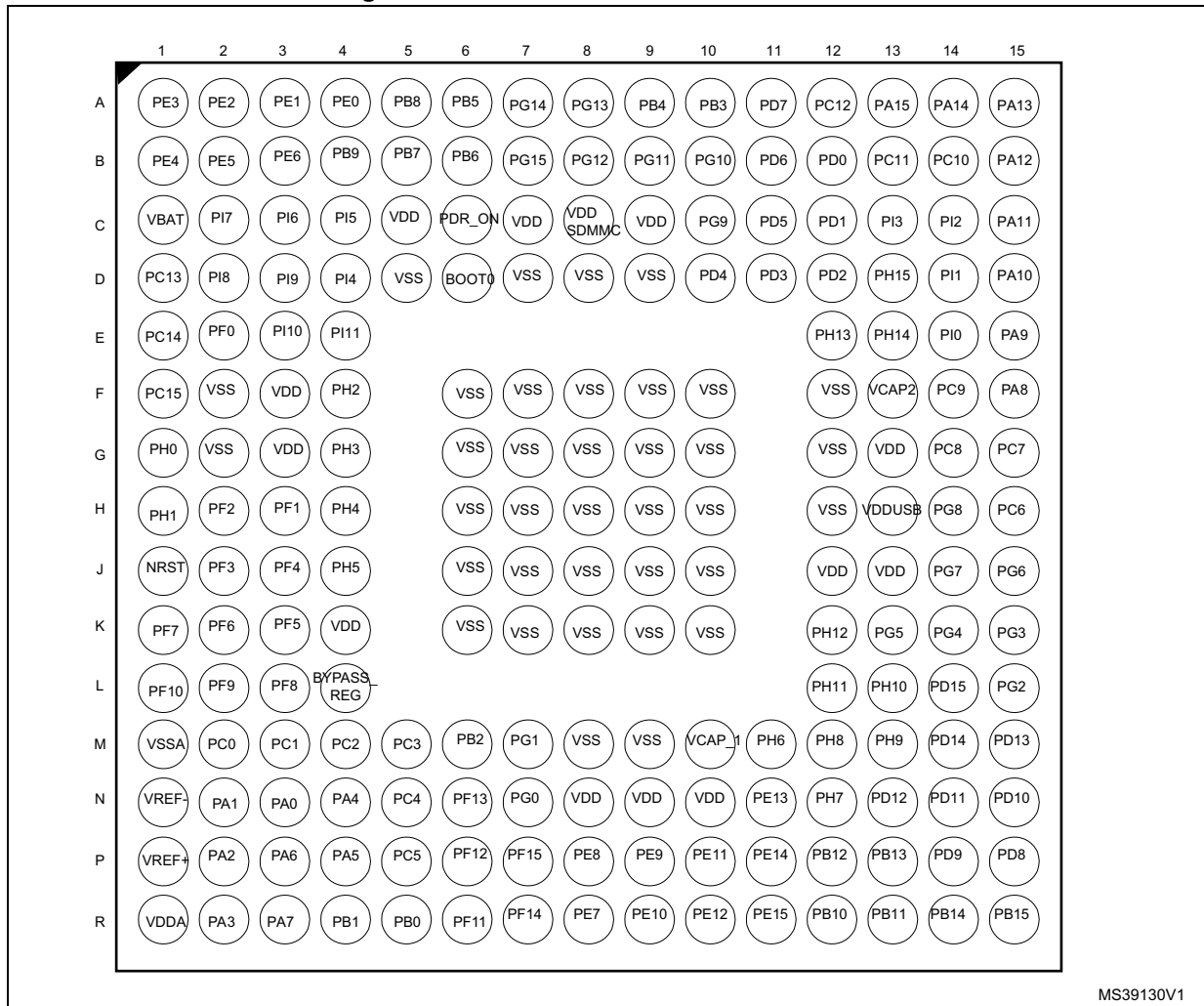
Figure 15. STM32F769xx LQFP176 pinout



MS41054V1

1. The above figure shows the package top view.

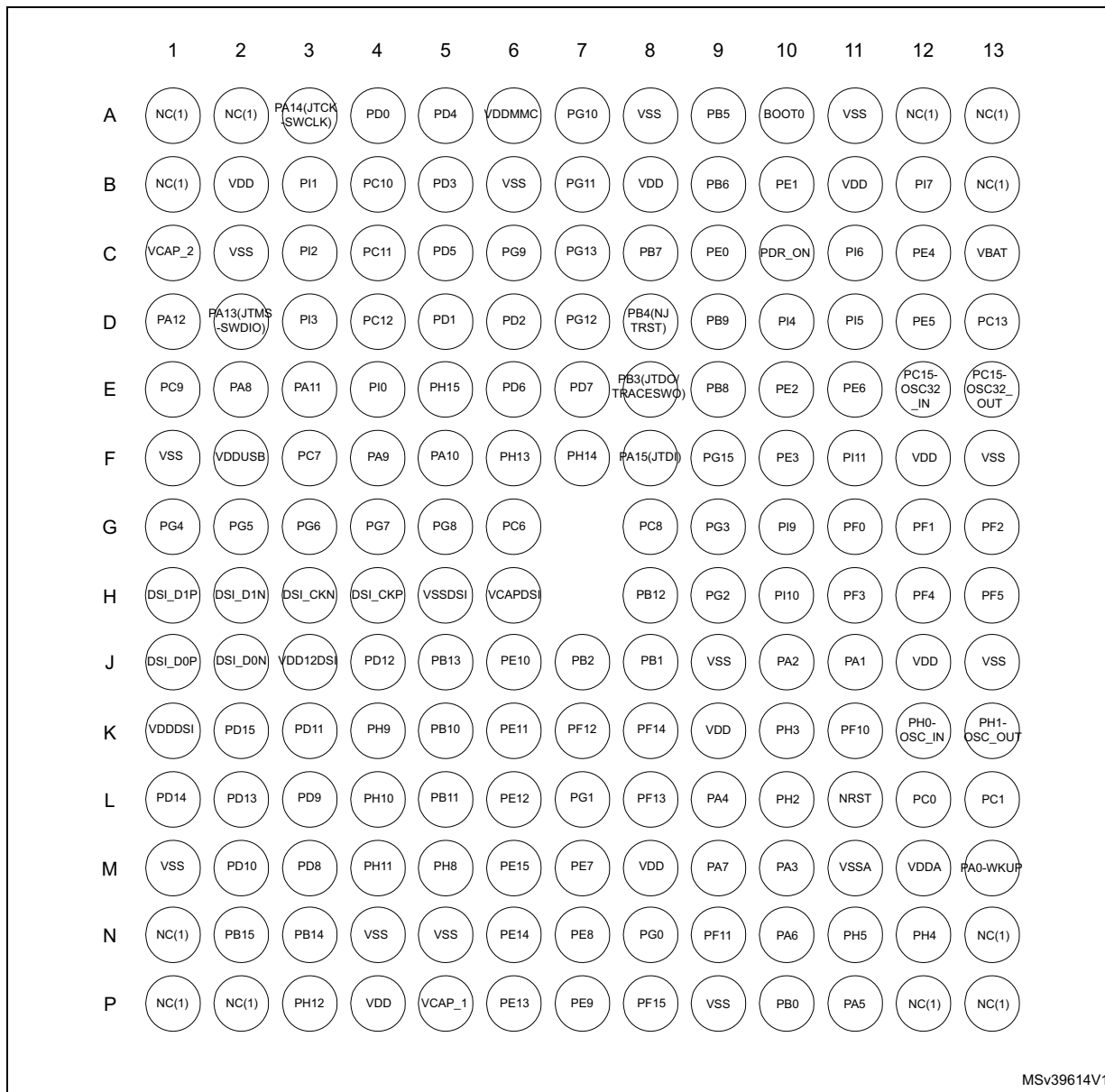
Figure 16. STM32F76xxx UFBGA176 ballout



MS39130V1

1. The above figure shows the package top view.

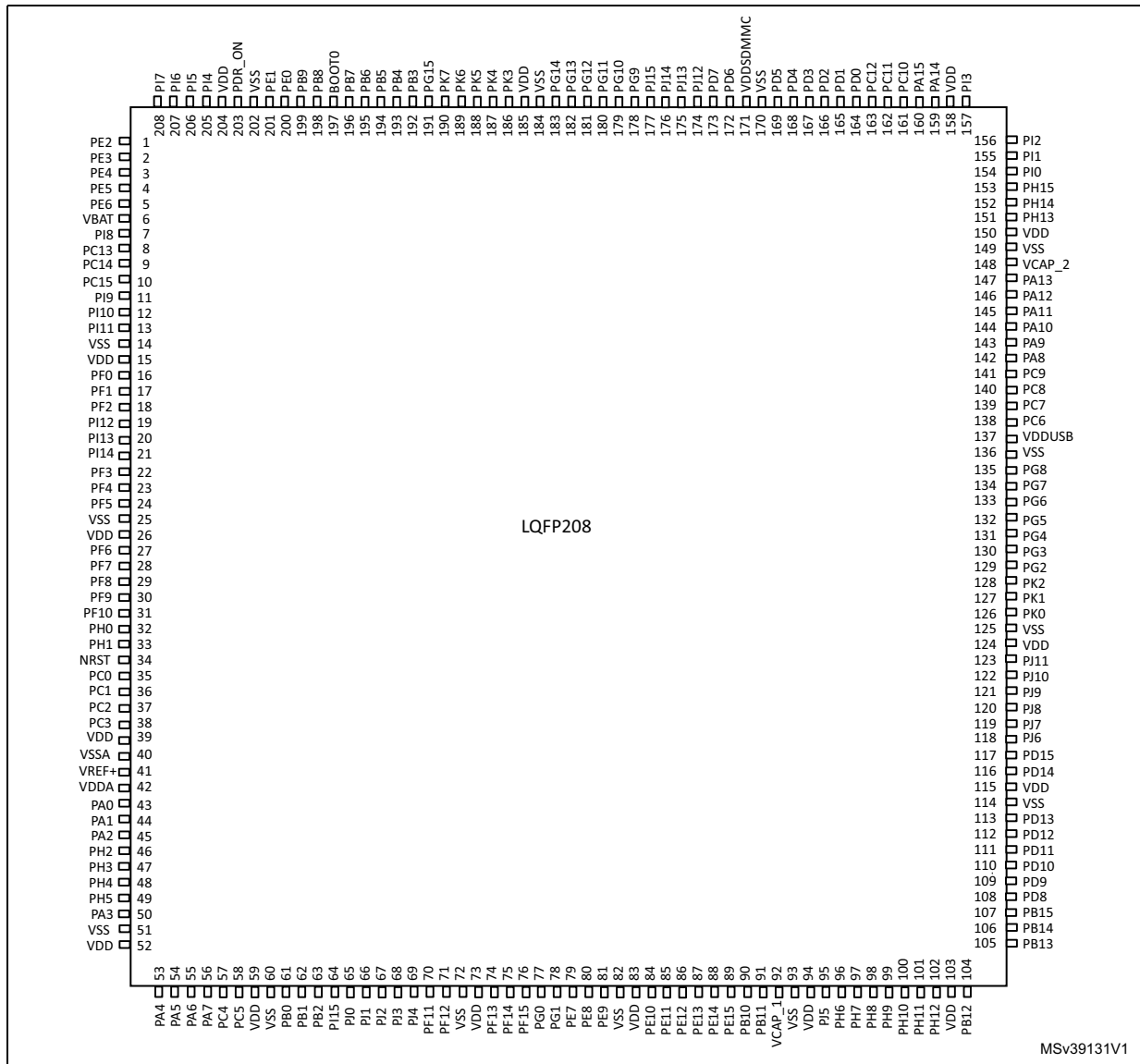
Figure 17. STM32F769Ax/STM32F768Ax WLCSP180 ballout



MSv39614V1

1. NC ball must not be connected to GND nor to VDD.
2. The above figure shows the package top view.

Figure 18. STM32F76xxx LQFP208 pinout

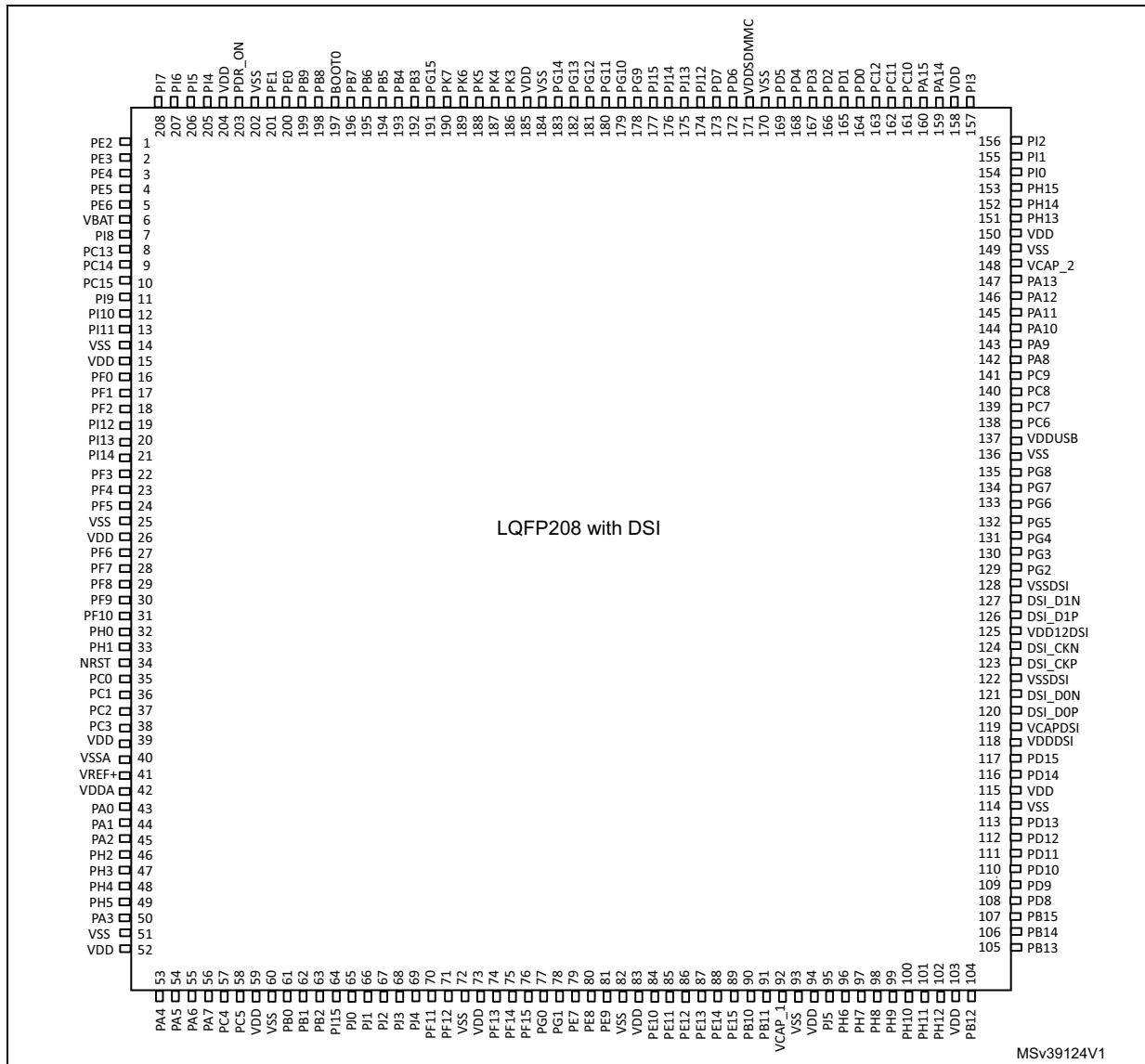


MSV39131V1

1. The above figure shows the package top view.

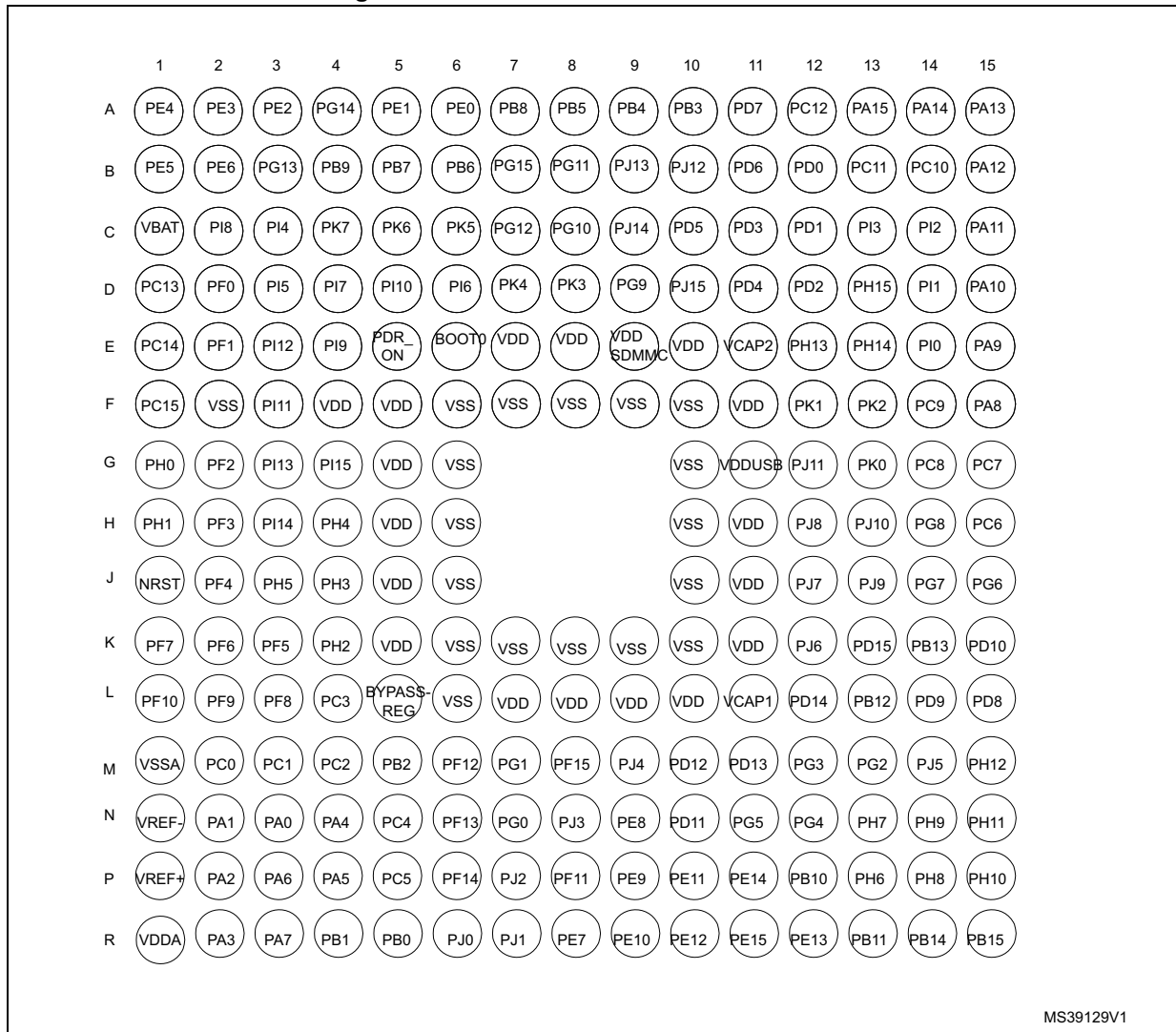


Figure 19. STM32F769xx LQFP208 pinout



1. The above figure shows the package top view.

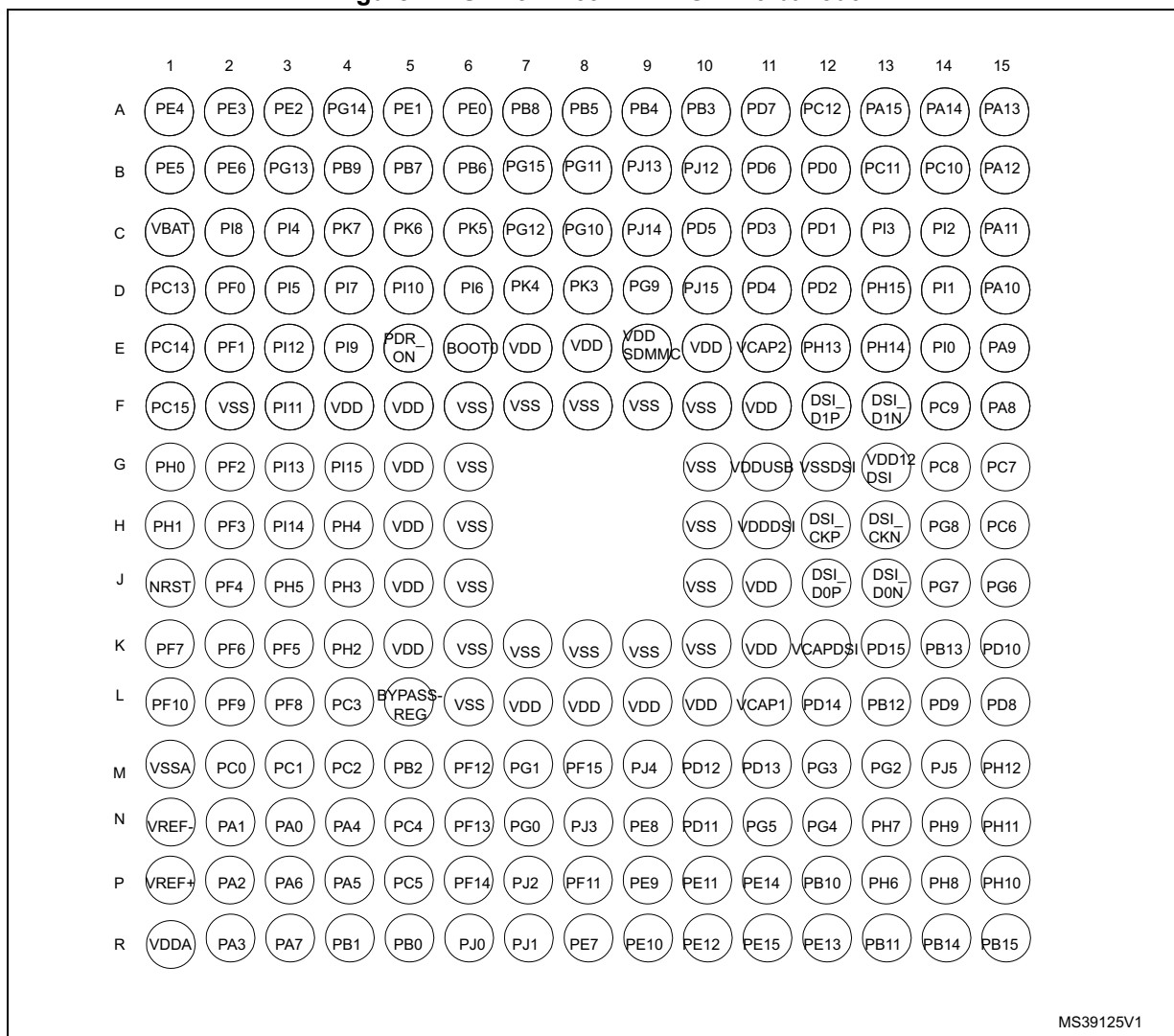
Figure 20. STM32F76xxx TFBGA216 ballout



MS39129V1

1. The above figure shows the package top view.

Figure 21. STM32F769xx TFBGA216 ballout



MS39125V1

1. The above figure shows the package top view.

Table 10. Legend/abbreviations used in the pinout table

| Name | Abbreviation | Definition |
|----------------------|---|--|
| Pin name | Unless otherwise specified in brackets below the pin name, the pin function during and after reset is the same as the actual pin name | |
| Pin type | S | Supply pin |
| | I | Input only pin |
| | I/O | Input / output pin |
| I/O structure | FT | 5 V tolerant I/O |
| | TTa | 3.3 V tolerant I/O directly connected to ADC |
| | B | Dedicated BOOT pin |
| | RST | Bidirectional reset pin with weak pull-up resistor |
| Notes | Unless otherwise specified by a note, all I/Os are set as floating inputs during and after reset | |
| Alternate functions | Functions selected through GPIOx_AFR registers | |
| Additional functions | Functions directly selected/enabled through peripheral registers | |

Table 11. STM32F765xx, STM32F767xx, STM32F768Ax and STM32F769xx pin and ball definitions

| Pin Number | | | | | | | | | | Pin name (function after reset) | Pin type | I/O structure | Notes | Alternate functions | Additional functions | |
|----------------------------|---------|---------|----------|---------|----------------------------|----------|-------------------------|---------|---------|---------------------------------|----------|---------------|-------|---------------------|---|----------|
| STM32F765xx STM32F767xx | | | | | STM32F768Ax STM32F769xx | | | | | | | | | | | |
| TFBGA100 | LQFP100 | LQFP144 | UFBGA176 | LQFP176 | LQFP208 | TFBGA216 | WLCSP180 ⁽¹⁾ | LQFP176 | LQFP208 | | | | | | | TFBGA216 |
| A3 | 1 | 1 | A2 | 1 | 1 | A3 | E10 | 1 | 1 | A3 | PE2 | I/O | FT | - | TRACECLK, SPI4_SCK, SAI1_MCLK_A, QUADSPI_BK1_IO2, ETH_MII_TXD3, FMC_A23, EVENTOUT | - |
| B3 | 2 | 2 | A1 | 2 | 2 | A2 | F10 | 2 | 2 | A2 | PE3 | I/O | FT | - | TRACED0, SAI1_SD_B, FMC_A19, EVENTOUT | - |

Table 11. STM32F765xx, STM32F767xx, STM32F768Ax and STM32F769xx pin and ball definitions (continued)

| Pin Number | | | | | | | | | | | Pin name (function after reset) | Pin type | I/O structure | Notes | Alternate functions | Additional functions |
|----------------------------|---------|---------|----------|---------|---------|----------------------------|-------------------------|---------|---------|----------|---------------------------------|----------|---------------|------------|--|--|
| STM32F765xx STM32F767xx | | | | | | STM32F768Ax STM32F769xx | | | | | | | | | | |
| TFBGA100 | LQFP100 | LQFP144 | UFBGA176 | LQFP176 | LQFP208 | TFBGA216 | WLCSP180 ⁽¹⁾ | LQFP176 | LQFP208 | TFBGA216 | | | | | | |
| C3 | 3 | 3 | B1 | 3 | 3 | A1 | C12 | 3 | 3 | A1 | PE4 | I/O | FT | - | TRACED1, SPI4_NSS, SAI1_FS_A, DFSDM1_DATIN3, FMC_A20, DCM1_D4, LCD_B0, EVENTOUT | - |
| D3 | 4 | 4 | B2 | 4 | 4 | B1 | D12 | 4 | 4 | B1 | PE5 | I/O | FT | - | TRACED2, TIM9_CH1, SPI4_MISO, SAI1_SCK_A, DFSDM1_CKIN3, FMC_A21, DCM1_D6, LCD_G0, EVENTOUT | - |
| E3 | 5 | 5 | B3 | 5 | 5 | B2 | E11 | 5 | 5 | B2 | PE6 | I/O | FT | - | TRACED3, TIM1_BKIN2, TIM9_CH2, SPI4_MOSI, SAI1_SD_A, SAI2_MCLK_B, FMC_A22, DCM1_D7, LCD_G1, EVENTOUT | - |
| - | - | - | - | - | - | G6 | - | - | - | G6 | VSS | S | - | - | - | - |
| - | - | - | - | - | - | F5 | - | - | - | F5 | VDD | S | - | - | - | - |
| B2 | 6 | 6 | C1 | 6 | 6 | C1 | C13 | 6 | 6 | C1 | VBAT | S | - | - | - | - |
| - | - | - | D2 | 7 | 7 | C2 | NC | 7 | 7 | C2 | PI8 | I/O | FT | (2) | EVENTOUT | RTC_TAMP2/ RTC_TS/ WKUP5 |
| A2 | 7 | 7 | D1 | 8 | 8 | D1 | D13 | 8 | 8 | D1 | PC13 | I/O | FT | (2) | EVENTOUT | RTC_TAMP1/ RTC_TS/ RTC_OUT/ WKUP4 |
| A1 | 8 | 8 | E1 | 9 | 9 | E1 | E12 | 9 | 9 | E1 | PC14- OSC32_IN | I/O | FT | (2) (3) | EVENTOUT | OSC32_IN |
| B1 | 9 | 9 | F1 | 10 | 10 | F1 | E13 | 10 | 10 | F1 | PC15- OSC32_O UT | I/O | FT | (2) (3) | EVENTOUT | OSC32_OUT |
| - | - | - | - | - | - | G5 | - | - | - | G5 | VDD | S | - | - | - | - |
| - | - | - | D3 | 11 | 11 | E4 | G10 | 11 | 11 | E4 | PI9 | I/O | FT | - | UART4_RX, CAN1_RX, FMC_D30, LCD_VSYNC, EVENTOUT | - |
| - | - | - | E3 | 12 | 12 | D5 | H10 | 12 | 12 | D5 | PI10 | I/O | FT | - | ETH_MII_RX_ER, FMC_D31, LCD_HSYNC, EVENTOUT | - |
| - | - | - | E4 | 13 | 13 | F3 | F11 | 13 | 13 | F3 | PI11 | I/O | FT | - | LCD_G6, OTG_HS_ULPI_DIR, EVENTOUT | WKUP6 |
| - | - | - | F2 | 14 | 14 | F2 | F13 | 14 | 14 | F2 | VSS | S | - | - | - | - |

Table 11. STM32F765xx, STM32F767xx, STM32F768Ax and STM32F769xx pin and ball definitions (continued)

| Pin Number | | | | | | | | | | | Pin name (function after reset) | Pin type | I/O structure | Notes | Alternate functions | Additional functions |
|----------------------------|---------|---------|----------|---------|---------|----------------------------|-------------------------|---------|---------|----------|---------------------------------|----------|---------------|----------------|--|----------------------|
| STM32F765xx STM32F767xx | | | | | | STM32F768Ax STM32F769xx | | | | | | | | | | |
| TFBGA100 | LQFP100 | LQFP144 | UFBGA176 | LQFP176 | LQFP208 | TFBGA216 | WLCSP180 ⁽¹⁾ | LQFP176 | LQFP208 | TFBGA216 | | | | | | |
| - | - | - | F3 | 15 | 15 | F4 | F12 | 15 | 15 | F4 | VDD | S | - | - | - | - |
| - | - | 10 | E2 | 16 | 16 | D2 | G11 | 16 | 16 | D2 | PF0 | I/O | FT | - | I2C2_SDA, FMC_A0, EVENTOUT | - |
| - | - | 11 | H3 | 17 | 17 | E2 | G12 | 17 | 17 | E2 | PF1 | I/O | FT | - | I2C2_SCL, FMC_A1, EVENTOUT | - |
| - | - | 12 | H2 | 18 | 18 | G2 | G13 | 18 | 18 | G2 | PF2 | I/O | FT | - | I2C2_SMBA, FMC_A2, EVENTOUT | - |
| - | - | - | - | - | 19 | E3 | NC | - | 19 | E3 | PI12 | I/O | FT | - | LCD_HSYNC, EVENTOUT | - |
| - | - | - | - | - | 20 | G3 | NC | - | 20 | G3 | PI13 | I/O | FT | - | LCD_VSYNC, EVENTOUT | - |
| - | - | - | - | - | 21 | H3 | NC | - | 21 | H3 | PI14 | I/O | FT | - | LCD_CLK, EVENTOUT | - |
| - | - | 13 | J2 | 19 | 22 | H2 | H11 | 19 | 22 | H2 | PF3 | I/O | FT | - | FMC_A3, EVENTOUT | ADC3_IN9 |
| - | - | 14 | J3 | 20 | 23 | J2 | H12 | 20 | 23 | J2 | PF4 | I/O | FT | - | FMC_A4, EVENTOUT | ADC3_IN14 |
| - | - | 15 | K3 | 21 | 24 | K3 | H13 | 21 | 24 | K3 | PF5 | I/O | FT | - | FMC_A5, EVENTOUT | ADC3_IN15 |
| C2 | 10 | 16 | G2 | 22 | 25 | H6 | J13 | 22 | 25 | H6 | VSS | S | - | - | - | - |
| D2 | 11 | 17 | G3 | 23 | 26 | H5 | J12 | 23 | 26 | H5 | VDD | S | - | - | - | - |
| - | - | 18 | K2 | 24 | 27 | K2 | NC | 24 | 27 | K2 | PF6 | I/O | FT | - | TIM10_CH1, SPI5_NSS, SAI1_SD_B, UART7_RX, QUADSPI_BK1_IO3, EVENTOUT | ADC3_IN4 |
| - | - | 19 | K1 | 25 | 28 | K1 | NC | 25 | 28 | K1 | PF7 | I/O | FT | - | TIM11_CH1, SPI5_SCK, SAI1_MCLK_B, UART7_TX, QUADSPI_BK1_IO2, EVENTOUT | ADC3_IN5 |
| - | - | 20 | L3 | 26 | 29 | L3 | NC | 26 | 29 | L3 | PF8 | I/O | FT | - | SPI5_MISO, SAI1_SCK_B, UART7_RTS, TIM13_CH1, QUADSPI_BK1_IO0, EVENTOUT | ADC3_IN6 |
| - | - | 21 | L2 | 27 | 30 | L2 | NC | 27 | 30 | L2 | PF9 | I/O | FT | - | SPI5_MOSI, SAI1_FS_B, UART7_CTS, TIM14_CH1, QUADSPI_BK1_IO1, EVENTOUT | ADC3_IN7 |
| - | - | 22 | L1 | 28 | 31 | L1 | K11 | 28 | 31 | L1 | PF10 | I/O | FT | - | QUADSPI_CLK, DCMI_D11, LCD_DE, EVENTOUT | ADC3_IN8 |
| C1 | 12 | 23 | G1 | 29 | 32 | G1 | K12 | 29 | 32 | G1 | PH0-OSC_IN | I/O | FT | ⁽³⁾ | EVENTOUT | OSC_IN |

Table 11. STM32F765xx, STM32F767xx, STM32F768Ax and STM32F769xx pin and ball definitions (continued)

| Pin Number | | | | | | | | | | | Pin name (function after reset) | Pin type | I/O structure | Notes | Alternate functions | Additional functions |
|----------------------------|---------|---------|----------|---------|---------|----------------------------|-------------------------|---------|---------|----------|---------------------------------|----------|---------------|-------|--|---|
| STM32F765xx STM32F767xx | | | | | | STM32F768Ax STM32F769xx | | | | | | | | | | |
| TFBGA100 | LQFP100 | LQFP144 | UFBGA176 | LQFP176 | LQFP208 | TFBGA216 | WLCSP180 ⁽¹⁾ | LQFP176 | LQFP208 | TFBGA216 | | | | | | |
| D1 | 13 | 24 | H1 | 30 | 33 | H1 | K13 | 30 | 33 | H1 | PH1-OSC_OUT | I/O | FT | (3) | EVENTOUT | OSC_OUT |
| E1 | 14 | 25 | J1 | 31 | 34 | J1 | L11 | 31 | 34 | J1 | NRST | I/O | RS T | - | - | - |
| F1 | 15 | 26 | M2 | 32 | 35 | M2 | L12 | 32 | 35 | M2 | PC0 | I/O | FT | - | DFSDM1_CKIN0, DFSDM1_DATIN4, SAI2_FS_B, OTG_HS_ULPI_STP, FMC_SDNWE, LCD_R5, EVENTOUT | ADC1_IN10, ADC2_IN10, ADC3_IN10 |
| F2 | 16 | 27 | M3 | 33 | 36 | M3 | L13 | 33 | 36 | M3 | PC1 | I/O | FT | - | TRACED0, DFSDM1_DATIN0, SPI2_MOSI/I2S2_SD, SAI1_SD_A, DFSDM1_CKIN4, ETH_MDC, MDIOS_MDC, EVENTOUT | ADC1_IN11, ADC2_IN11, ADC3_IN11, RTC_TAMP3/ WKUP3 |
| E2 | 17 | 28 | M4 | 34 | 37 | M4 | NC | 34 | 37 | M4 | PC2 | I/O | FT | - | DFSDM1_CKIN1, SPI2_MISO, DFSDM1_CKOUT, OTG_HS_ULPI_DIR, ETH_MII_TXD2, FMC_SDNE0, EVENTOUT | ADC1_IN12, ADC2_IN12, ADC3_IN12 |
| F3 | 18 | 29 | M5 | 35 | 38 | L4 | NC | 35 | 38 | L4 | PC3 | I/O | FT | - | DFSDM1_DATIN1, SPI2_MOSI/I2S2_SD, OTG_HS_ULPI_NXT, ETH_MII_TX_CLK, FMC_SDCKE0, EVENTOUT | ADC1_IN13, ADC2_IN13, ADC3_IN13 |
| - | - | 30 | - | 36 | 39 | J5 | - | 36 | 39 | J5 | VDD | S | - | - | - | - |
| - | - | - | - | - | - | J6 | - | - | - | J6 | VSS | S | - | - | - | - |
| G1 | 19 | 31 | M1 | 37 | 40 | M1 | M11 | 37 | 40 | M1 | VSSA | S | - | - | - | - |
| - | - | - | N1 | - | - | N1 | - | - | - | N1 | VREF- | S | - | - | - | - |
| - | 20 | 32 | P1 | 38 | 41 | P1 | - | 38 | 41 | P1 | VREF+ | S | - | - | - | - |
| H1 | 21 | 33 | R1 | 39 | 42 | R1 | M12 | 39 | 42 | R1 | VDDA | S | - | - | - | - |
| G2 | 22 | 34 | N3 | 40 | 43 | N3 | M13 | 40 | 43 | N3 | PA0-WKUP | I/O | FT | (4) | TIM2_CH1/TIM2_ETR, TIM5_CH1, TIM8_ETR, USART2_CTS, UART4_TX, SAI2_SD_B, ETH_MII_CRCS, EVENTOUT | ADC1_IN0, ADC2_IN0, ADC3_IN0, WKUP1 |

Table 11. STM32F765xx, STM32F767xx, STM32F768Ax and STM32F769xx pin and ball definitions (continued)

| Pin Number | | | | | | | | | | | Pin name (function after reset) | Pin type | I/O structure | Notes | Alternate functions | Additional functions |
|----------------------------|---------|---------|----------|---------|---------|----------------------------|-------------------------|---------|---------|----------|---------------------------------|----------|---------------|-------|---|-------------------------------------|
| STM32F765xx STM32F767xx | | | | | | STM32F768Ax STM32F769xx | | | | | | | | | | |
| TFBGA100 | LQFP100 | LQFP144 | UFBGA176 | LQFP176 | LQFP208 | TFBGA216 | WLCSP180 ⁽¹⁾ | LQFP176 | LQFP208 | TFBGA216 | | | | | | |
| H2 | 23 | 35 | N2 | 41 | 44 | N2 | J11 | 41 | 44 | N2 | PA1 | I/O | FT | - | TIM2_CH2, TIM5_CH2, USART2_RTS, UART4_RX, QUADSPI_BK1_IO3, SAI2_MCLK_B, ETH_MII_RX_CLK/ETH_RMII_REF_CLK, LCD_R2, EVENTOUT | ADC1_IN1, ADC2_IN1, ADC3_IN1 |
| J2 | 24 | 36 | P2 | 42 | 45 | P2 | J10 | 42 | 45 | P2 | PA2 | I/O | FT | - | TIM2_CH3, TIM5_CH3, TIM9_CH1, USART2_TX, SAI2_SCK_B, ETH_MDIO, MDIOS_MDIO, LCD_R1, EVENTOUT | ADC1_IN2, ADC2_IN2, ADC3_IN2, WKUP2 |
| - | - | - | F4 | 43 | 46 | K4 | L10 | 43 | 46 | K4 | PH2 | I/O | FT | - | LPTIM1_IN2, QUADSPI_BK2_IO0, SAI2_SCK_B, ETH_MII_CRS, FMC_SDCKE0, LCD_R0, EVENTOUT | - |
| - | - | - | G4 | 44 | 47 | J4 | K10 | 44 | 47 | J4 | PH3 | I/O | FT | - | QUADSPI_BK2_IO1, SAI2_MCLK_B, ETH_MII_COL, FMC_SDNE0, LCD_R1, EVENTOUT | - |
| - | - | - | H4 | 45 | 48 | H4 | N12 | 45 | 48 | H4 | PH4 | I/O | FT | - | I2C2_SCL, LCD_G5, OTG_HS_ULPI_NXT, LCD_G4, EVENTOUT | - |
| - | - | - | J4 | 46 | 49 | J3 | N11 | 46 | 49 | J3 | PH5 | I/O | FT | - | I2C2_SDA, SPI5_NSS, FMC_SDNWE, EVENTOUT | - |
| K2 | 25 | 37 | R2 | 47 | 50 | R2 | M10 | 47 | 50 | R2 | PA3 | I/O | FT | - | TIM2_CH4, TIM5_CH4, TIM9_CH2, USART2_RX, LCD_B2, OTG_HS_ULPI_D0, ETH_MII_COL, LCD_B5, EVENTOUT | ADC1_IN3, ADC2_IN3, ADC3_IN3 |
| J1 | 26 | 38 | - | - | 51 | K6 | J9 | - | 51 | K6 | VSS | S | - | - | - | - |
| E6 | - | - | L4 | 48 | - | L5 | .(5) | 48 | - | L5 | BYPASS_REG | I | FT | - | - | - |
| K1 | 27 | 39 | K4 | 49 | 52 | K5 | K9 | 49 | 52 | K5 | VDD | S | - | - | - | - |
| G3 | 28 | 40 | N4 | 50 | 53 | N4 | L9 | 50 | 53 | N4 | PA4 | I/O | TTa | - | SPI1_NSS/I2S1_WS, SPI3_NSS/I2S3_WS, USART2_CK, SPI6_NSS, OTG_HS_SOF, DCMI_HSYNC, LCD_VSYNC, EVENTOUT | ADC1_IN4, ADC2_IN4, DAC_OUT1 |

Table 11. STM32F765xx, STM32F767xx, STM32F768Ax and STM32F769xx pin and ball definitions (continued)

| Pin Number | | | | | | | | | | | Pin name (function after reset) | Pin type | I/O structure | Notes | Alternate functions | Additional functions |
|----------------------------|---------|---------|----------|---------|---------|----------------------------|-------------------------|---------|---------|----------|---------------------------------|----------|---------------|-------|--|------------------------------------|
| STM32F765xx STM32F767xx | | | | | | STM32F768Ax STM32F769xx | | | | | | | | | | |
| TFBGA100 | LQFP100 | LQFP144 | UFBGA176 | LQFP176 | LQFP208 | TFBGA216 | WLCSP180 ⁽¹⁾ | LQFP176 | LQFP208 | TFBGA216 | | | | | | |
| H3 | 29 | 41 | P4 | 51 | 54 | P4 | P11 | 51 | 54 | P4 | PA5 | I/O | TTa | - | TIM2_CH1/TIM2_ETR, TIM8_CH1N, SPI1_SCK/I2S1_CK, SPI6_SCK, OTG_HS_ULPI_CK, LCD_R4, EVENTOUT | ADC1_IN5, ADC2_IN5, DAC_OUT2 |
| J3 | 30 | 42 | P3 | 52 | 55 | P3 | N10 | 52 | 55 | P3 | PA6 | I/O | FT | - | TIM1_BKIN, TIM3_CH1, TIM8_BKIN, SPI1_MISO, SPI6_MISO, TIM13_CH1, MDIOS_MDC, DCMI_PIXCLK, LCD_G2, EVENTOUT | ADC1_IN6, ADC2_IN6 |
| K3 | 31 | 43 | R3 | 53 | 56 | R3 | M9 | 53 | 56 | R3 | PA7 | I/O | FT | - | TIM1_CH1N, TIM3_CH2, TIM8_CH1N, SPI1_MOSI/I2S1_SD, SPI6_MOSI, TIM14_CH1, ETH_MII_RX_DV/ETH_RMII_C RS_DV, FMC_SDNWE, EVENTOUT | ADC1_IN7, ADC2_IN7 |
| G4 | 32 | 44 | N5 | 54 | 57 | N5 | NC | 54 | 57 | N5 | PC4 | I/O | FT | - | DFSDM1_CKIN2, I2S1_MCK, SPDIF_RX2, ETH_MII_RXD0/ETH_RMII_RX D0, FMC_SDNE0, EVENTOUT | ADC1_IN14, ADC2_IN14 |
| H4 | 33 | 45 | P5 | 55 | 58 | P5 | NC | 55 | 58 | P5 | PC5 | I/O | FT | - | DFSDM1_DATIN2, SPDIF_RX3, ETH_MII_RXD1/ETH_RMII_RX D1, FMC_SDCKE0, EVENTOUT | ADC1_IN15, ADC2_IN15 |
| - | - | - | - | - | 59 | L7 | - | - | 59 | L7 | VDD | S | - | - | - | - |
| - | - | - | - | - | 60 | L6 | - | - | 60 | L6 | VSS | S | - | - | - | - |
| J4 | 34 | 46 | R5 | 56 | 61 | R5 | P10 | 56 | 61 | R5 | PB0 | I/O | FT | - | TIM1_CH2N, TIM3_CH3, TIM8_CH2N, DFSDM1_CKOUT, UART4_CTS, LCD_R3, OTG_HS_ULPI_D1, ETH_MII_RXD2, LCD_G1, EVENTOUT | ADC1_IN8, ADC2_IN8 |
| K4 | 35 | 47 | R4 | 57 | 62 | R4 | J8 | 57 | 62 | R4 | PB1 | I/O | FT | - | TIM1_CH3N, TIM3_CH4, TIM8_CH3N, DFSDM1_DATIN1, LCD_R6, OTG_HS_ULPI_D2, ETH_MII_RXD3, LCD_G0, EVENTOUT | ADC1_IN9, ADC2_IN9 |

Table 11. STM32F765xx, STM32F767xx, STM32F768Ax and STM32F769xx pin and ball definitions (continued)

| Pin Number | | | | | | | | | | | Pin name (function after reset) | Pin type | I/O structure | Notes | Alternate functions | Additional functions |
|----------------------------|---------|---------|----------|---------|---------|----------------------------|-------------------------|---------|---------|----------|---------------------------------|----------|---------------|-------|---|----------------------|
| STM32F765xx STM32F767xx | | | | | | STM32F768Ax STM32F769xx | | | | | | | | | | |
| TFBGA100 | LQFP100 | LQFP144 | UFBGA176 | LQFP176 | LQFP208 | TFBGA216 | WLCSP180 ⁽¹⁾ | LQFP176 | LQFP208 | TFBGA216 | | | | | | |
| G5 | 36 | 48 | M6 | 58 | 63 | M5 | J7 | 58 | 63 | M5 | PB2 | I/O | FT | - | SAI1_SD_A, SPI3_MOSI/I2S3_SD, QUADSPI_CLK, DFSDM1_CKIN1, EVENTOUT | - |
| - | - | - | - | - | 64 | G4 | NC | - | 64 | G4 | PI15 | I/O | FT | - | LCD_G2, LCD_R0, EVENTOUT | - |
| - | - | - | - | - | 65 | R6 | NC | - | 65 | R6 | PJ0 | I/O | FT | - | LCD_R7, LCD_R1, EVENTOUT | - |
| - | - | - | - | - | 66 | R7 | NC | - | 66 | R7 | PJ1 | I/O | FT | - | LCD_R2, EVENTOUT | - |
| - | - | - | - | - | 67 | P7 | NC | - | 67 | P7 | PJ2 | I/O | FT | - | DSI_TE, LCD_R3, EVENTOUT | - |
| - | - | - | - | - | 68 | N8 | NC | - | 68 | N8 | PJ3 | I/O | FT | - | LCD_R4, EVENTOUT | - |
| - | - | - | - | - | 69 | M9 | NC | - | 69 | M9 | PJ4 | I/O | FT | - | LCD_R5, EVENTOUT | - |
| - | - | 49 | R6 | 59 | 70 | P8 | N9 | 59 | 70 | P8 | PF11 | I/O | FT | - | SPI5_MOSI, SAI2_SD_B, FMC_SDNRAS, DCMI_D12, EVENTOUT | - |
| - | - | 50 | P6 | 60 | 71 | M6 | K7 | 60 | 71 | M6 | PF12 | I/O | FT | - | FMC_A6, EVENTOUT | - |
| - | - | 51 | M8 | 61 | 72 | K7 | P9 | 61 | 72 | K7 | VSS | S | - | - | - | - |
| - | - | 52 | N8 | 62 | 73 | L8 | M8 | 62 | 73 | L8 | VDD | S | - | - | - | - |
| - | - | 53 | N6 | 63 | 74 | N6 | L8 | 63 | 74 | N6 | PF13 | I/O | FT | - | I2C4_SMBA, DFSDM1_DATIN6, FMC_A7, EVENTOUT | - |
| - | - | 54 | R7 | 64 | 75 | P6 | K8 | 64 | 75 | P6 | PF14 | I/O | FT | - | I2C4_SCL, DFSDM1_CKIN6, FMC_A8, EVENTOUT | - |
| - | - | 55 | P7 | 65 | 76 | M8 | P8 | 65 | 76 | M8 | PF15 | I/O | FT | - | I2C4_SDA, FMC_A9, EVENTOUT | - |
| - | - | 56 | N7 | 66 | 77 | N7 | N8 | 66 | 77 | N7 | PG0 | I/O | FT | - | FMC_A10, EVENTOUT | - |
| - | - | 57 | M7 | 67 | 78 | M7 | L7 | 67 | 78 | M7 | PG1 | I/O | FT | - | FMC_A11, EVENTOUT | - |
| H5 | 37 | 58 | R8 | 68 | 79 | R8 | M7 | 68 | 79 | R8 | PE7 | I/O | FT | - | TIM1_ETR, DFSDM1_DATIN2, UART7_RX, QUADSPI_BK2_IO0, FMC_D4, EVENTOUT | - |
| J5 | 38 | 59 | P8 | 69 | 80 | N9 | N7 | 69 | 80 | N9 | PE8 | I/O | FT | - | TIM1_CH1N, DFSDM1_CKIN2, UART7_TX, QUADSPI_BK2_IO1, FMC_D5, EVENTOUT | - |

Table 11. STM32F765xx, STM32F767xx, STM32F768Ax and STM32F769xx pin and ball definitions (continued)

| Pin Number | | | | | | | | | | | Pin name (function after reset) | Pin type | I/O structure | Notes | Alternate functions | Additional functions |
|----------------------------|---------|---------|----------|---------|---------|----------------------------|-------------------------|---------|---------|----------|---------------------------------|----------|---------------|-------|--|----------------------|
| STM32F765xx STM32F767xx | | | | | | STM32F768Ax STM32F769xx | | | | | | | | | | |
| TFBGA100 | LQFP100 | LQFP144 | UFBGA176 | LQFP176 | LQFP208 | TFBGA216 | WLCSP180 ⁽¹⁾ | LQFP176 | LQFP208 | TFBGA216 | | | | | | |
| K5 | 39 | 60 | P9 | 70 | 81 | P9 | P7 | 70 | 81 | P9 | PE9 | I/O | FT | - | TIM1_CH1, DFSDM1_CKOUT, UART7_RTS, QUADSPI_BK2_IO2, FMC_D6, EVENTOUT | - |
| - | - | 61 | M9 | 71 | 82 | K8 | - | 71 | 82 | K8 | VSS | S | - | - | - | - |
| - | - | 62 | N9 | 72 | 83 | L9 | - | 72 | 83 | L9 | VDD | S | - | - | - | - |
| G6 | 40 | 63 | R9 | 73 | 84 | R9 | J6 | 73 | 84 | R9 | PE10 | I/O | FT | - | TIM1_CH2N, DFSDM1_DATIN4, UART7_CTS, QUADSPI_BK2_IO3, FMC_D7, EVENTOUT | - |
| H6 | 41 | 64 | P10 | 74 | 85 | P10 | K6 | 74 | 85 | P10 | PE11 | I/O | FT | - | TIM1_CH2, SPI4_NSS, DFSDM1_CKIN4, SAI2_SD_B, FMC_D8, LCD_G3, EVENTOUT | - |
| J6 | 42 | 65 | R10 | 75 | 86 | R10 | L6 | 75 | 86 | R10 | PE12 | I/O | FT | - | TIM1_CH3N, SPI4_SCK, DFSDM1_DATIN5, SAI2_SCK_B, FMC_D9, LCD_B4, EVENTOUT | - |
| K6 | 43 | 66 | N11 | 76 | 87 | R12 | P6 | 76 | 87 | R12 | PE13 | I/O | FT | - | TIM1_CH3, SPI4_MISO, DFSDM1_CKIN5, SAI2_FS_B, FMC_D10, LCD_DE, EVENTOUT | - |
| G7 | 44 | 67 | P11 | 77 | 88 | P11 | N6 | 77 | 88 | P11 | PE14 | I/O | FT | - | TIM1_CH4, SPI4_MOSI, SAI2_MCLK_B, FMC_D11, LCD_CLK, EVENTOUT | - |
| H7 | 45 | 68 | R11 | 78 | 89 | R11 | M6 | 78 | 89 | R11 | PE15 | I/O | FT | - | TIM1_BKIN, FMC_D12, LCD_R7, EVENTOUT | - |
| J7 | 46 | 69 | R12 | 79 | 90 | P12 | K5 | 79 | 90 | P12 | PB10 | I/O | FT | - | TIM2_CH3, I2C2_SCL, SPI2_SCK/I2S2_CK, DFSDM1_DATIN7, USART3_TX, QUADSPI_BK1_NCS, OTG_HS_ULPI_D3, ETH_MII_RX_ER, LCD_G4, EVENTOUT | - |

Table 11. STM32F765xx, STM32F767xx, STM32F768Ax and STM32F769xx pin and ball definitions (continued)

| Pin Number | | | | | | | | | | | Pin name (function after reset) | Pin type | I/O structure | Notes | Alternate functions | Additional functions |
|----------------------------|---------|---------|----------|---------|---------|----------------------------|-------------------------|---------|---------|----------|---------------------------------|----------|---------------|-------|---|----------------------|
| STM32F765xx STM32F767xx | | | | | | STM32F768Ax STM32F769xx | | | | | | | | | | |
| TFBGA100 | LQFP100 | LQFP144 | UFBGA176 | LQFP176 | LQFP208 | TFBGA216 | WLCSP180 ⁽¹⁾ | LQFP176 | LQFP208 | TFBGA216 | | | | | | |
| K7 | 47 | 70 | R13 | 80 | 91 | R13 | L5 | 80 | 91 | R13 | PB11 | I/O | FT | - | TIM2_CH4, I2C2_SDA, DFSDM1_CKIN7, USART3_RX, OTG_HS_ULPI_D4, ETH_MII_TX_EN/ETH_RMII_TX_EN, DSI_TE, LCD_G5, EVENTOUT | - |
| F8 | 48 | 71 | M10 | 81 | 92 | L11 | P5 | 81 | 92 | L11 | VCAP_1 | S | - | - | - | - |
| - | 49 | - | - | - | 93 | K9 | N5 | - | 93 | K9 | VSS | S | - | - | - | - |
| - | 50 | 72 | N10 | 82 | 94 | L10 | P4 | 82 | 94 | L10 | VDD | S | - | - | - | - |
| - | - | - | - | - | 95 | M14 | NC | - | 95 | M14 | PJ5 | I/O | FT | - | LCD_R6, EVENTOUT | - |
| - | - | - | M11 | 83 | 96 | P13 | NC | 83 | 96 | P13 | PH6 | I/O | FT | - | I2C2_SMBA, SPI5_SCK, TIM12_CH1, ETH_MII_RXD2, FMC_SDNE1, DCMI_D8, EVENTOUT | - |
| - | - | - | N12 | 84 | 97 | N13 | NC | 84 | 97 | N13 | PH7 | I/O | FT | - | I2C3_SCL, SPI5_MISO, ETH_MII_RXD3, FMC_SDCKE1, DCMI_D9, EVENTOUT | - |
| - | - | - | M12 | 85 | 98 | P14 | M5 | - | 98 | P14 | PH8 | I/O | FT | - | I2C3_SDA, FMC_D16, DCMI_HSYNC, LCD_R2, EVENTOUT | - |
| - | - | - | M13 | 86 | 99 | N14 | K4 | - | 99 | N14 | PH9 | I/O | FT | - | I2C3_SMBA, TIM12_CH2, FMC_D17, DCMI_D0, LCD_R3, EVENTOUT | - |
| - | - | - | L13 | 87 | 100 | P15 | L4 | - | 100 | P15 | PH10 | I/O | FT | - | TIM5_CH1, I2C4_SMBA, FMC_D18, DCMI_D1, LCD_R4, EVENTOUT | - |
| - | - | - | L12 | 88 | 101 | N15 | M4 | - | 101 | N15 | PH11 | I/O | FT | - | TIM5_CH2, I2C4_SCL, FMC_D19, DCMI_D2, LCD_R5, EVENTOUT | - |
| - | - | - | K12 | 89 | 102 | M15 | P3 | - | 102 | M15 | PH12 | I/O | FT | - | TIM5_CH3, I2C4_SDA, FMC_D20, DCMI_D3, LCD_R6, EVENTOUT | - |
| - | - | - | H12 | 90 | - | K10 | N4 | - | - | K10 | VSS | S | - | - | - | - |
| - | - | - | J12 | 91 | 103 | K11 | - | - | 103 | K11 | VDD | S | - | - | - | - |

Table 11. STM32F765xx, STM32F767xx, STM32F768Ax and STM32F769xx pin and ball definitions (continued)

| Pin Number | | | | | | | | | | | Pin name (function after reset) | Pin type | I/O structure | Notes | Alternate functions | Additional functions |
|----------------------------|---------|---------|----------|---------|---------|----------------------------|-------------------------|---------|---------|----------|---------------------------------|----------|---------------|-------|--|----------------------|
| STM32F765xx STM32F767xx | | | | | | STM32F768Ax STM32F769xx | | | | | | | | | | |
| TFBGA100 | LQFP100 | LQFP144 | UFBGA176 | LQFP176 | LQFP208 | TFBGA216 | WLCSP180 ⁽¹⁾ | LQFP176 | LQFP208 | TFBGA216 | | | | | | |
| K8 | 51 | 73 | P12 | 92 | 104 | L13 | H8 | 85 | 104 | L13 | PB12 | I/O | FT | - | TIM1_BKIN, I2C2_SMBA, SPI2_NSS/I2S2_WS, DFSDM1_DATIN1, USART3_CK, UART5_RX, CAN2_RX, OTG_HS_ULPI_D5, ETH_MII_TXD0/ETH_RMII_TXD0, OTG_HS_ID, EVENTOUT | - |
| J8 | 52 | 74 | P13 | 93 | 105 | K14 | J5 | 86 | 105 | K14 | PB13 | I/O | FT | - | TIM1_CH1N, SPI2_SCK/I2S2_CK, DFSDM1_CKIN1, USART3_CTS, UART5_TX, CAN2_TX, OTG_HS_ULPI_D6, ETH_MII_TXD1/ETH_RMII_TXD1, EVENTOUT | OTG_HS_VBUS |
| H10 | 53 | 75 | R14 | 94 | 106 | R14 | N3 | 87 | 106 | R14 | PB14 | I/O | FT | - | TIM1_CH2N, TIM8_CH2N, USART1_TX, SPI2_MISO, DFSDM1_DATIN2, USART3_RTS, UART4_RTS, TIM12_CH1, SDMMC2_D0, OTG_HS_DM, EVENTOUT | - |
| G10 | 54 | 76 | R15 | 95 | 107 | R15 | N2 | 88 | 107 | R15 | PB15 | I/O | FT | - | RTC_REFIN, TIM1_CH3N, TIM8_CH3N, USART1_RX, SPI2_MOSI/I2S2_SD, DFSDM1_CKIN2, UART4_CTS, TIM12_CH2, SDMMC2_D1, OTG_HS_DP, EVENTOUT | - |
| K9 | 55 | 77 | P15 | 96 | 108 | L15 | M3 | 89 | 108 | L15 | PD8 | I/O | FT | - | DFSDM1_CKIN3, USART3_TX, SPDIF_RX1, FMC_D13, EVENTOUT | - |
| J9 | 56 | 78 | P14 | 97 | 109 | L14 | L3 | 90 | 109 | L14 | PD9 | I/O | FT | - | DFSDM1_DATIN3, USART3_RX, FMC_D14, EVENTOUT | - |
| H9 | 57 | 79 | N15 | 98 | 110 | K15 | M2 | 91 | 110 | K15 | PD10 | I/O | FT | - | DFSDM1_CKOUT, USART3_CK, FMC_D15, LCD_B3, EVENTOUT | - |
| G9 | 58 | 80 | N14 | 99 | 111 | N10 | K3 | 92 | 111 | N10 | PD11 | I/O | FT | - | I2C4_SMBA, USART3_CTS, QUADSPI_BK1_IO0, SAI2_SD_A, FMC_A16/FMC_CLE, EVENTOUT | - |

Table 11. STM32F765xx, STM32F767xx, STM32F768Ax and STM32F769xx pin and ball definitions (continued)

| Pin Number | | | | | | | | | | | Pin name (function after reset) | Pin type | I/O structure | Notes | Alternate functions | Additional functions |
|----------------------------|---------|---------|----------|---------|---------|----------------------------|-------------------------|---------|---------|----------|---------------------------------|----------|---------------|-------|---|----------------------|
| STM32F765xx STM32F767xx | | | | | | STM32F768Ax STM32F769xx | | | | | | | | | | |
| TFBGA100 | LQFP100 | LQFP144 | UFBGA176 | LQFP176 | LQFP208 | TFBGA216 | WLCSP180 ⁽¹⁾ | LQFP176 | LQFP208 | TFBGA216 | | | | | | |
| K10 | 59 | 81 | N13 | 100 | 112 | M10 | J4 | 93 | 112 | M10 | PD12 | I/O | FT | - | TIM4_CH1, LPTIM1_IN1, I2C4_SCL, USART3_RTS, QUADSPI_BK1_IO1, SAI2_FS_A, FMC_A17/FMC_ALE, EVENTOUT | - |
| J10 | 60 | 82 | M15 | 101 | 113 | M11 | L2 | 94 | 113 | M11 | PD13 | I/O | FT | - | TIM4_CH2, LPTIM1_OUT, I2C4_SDA, QUADSPI_BK1_IO3, SAI2_SCK_A, FMC_A18, EVENTOUT | - |
| - | - | 83 | - | 102 | 114 | J10 | M1 | 95 | 114 | J10 | VSS | S | - | - | - | - |
| - | - | 84 | J13 | 103 | 115 | J11 | - | 96 | 115 | J11 | VDD | S | - | - | - | - |
| H8 | 61 | 85 | M14 | 104 | 116 | L12 | L1 | 97 | 116 | L12 | PD14 | I/O | FT | - | TIM4_CH3, UART8_CTS, FMC_D0, EVENTOUT | - |
| G8 | 62 | 86 | L14 | 105 | 117 | K13 | K2 | 98 | 117 | K13 | PD15 | I/O | FT | - | TIM4_CH4, UART8_RTS, FMC_D1, EVENTOUT | - |
| - | - | - | - | - | 118 | K12 | - | - | - | - | PJ6 | I/O | FT | - | LCD_R7, EVENTOUT | - |
| - | - | - | - | - | 119 | J12 | - | - | - | - | PJ7 | I/O | FT | - | LCD_G0, EVENTOUT | - |
| - | - | - | - | - | 120 | H12 | - | - | - | - | PJ8 | I/O | FT | - | LCD_G1, EVENTOUT | - |
| - | - | - | - | - | 121 | J13 | - | - | - | - | PJ9 | I/O | FT | - | LCD_G2, EVENTOUT | - |
| - | - | - | - | - | 122 | H13 | - | - | - | - | PJ10 | I/O | FT | - | LCD_G3, EVENTOUT | - |
| - | - | - | - | - | 123 | G12 | - | - | - | - | PJ11 | I/O | FT | - | LCD_G4, EVENTOUT | - |
| - | - | - | - | - | 124 | H11 | - | - | - | - | VDD | S | - | - | - | - |
| - | - | - | - | - | - | - | K1 | 99 | 118 | H11 | VDDDSI | S | - | - | - | - |
| - | - | - | - | - | 125 | H10 | - | - | - | H10 | VSS | S | - | - | - | - |
| - | - | - | - | - | - | - | H6 | 100 | 119 | K12 | VCAPDSI | S | - | - | - | - |
| - | - | - | - | - | - | - | J3 | - | - | G13 | VDD12DSI | S | - | - | - | - |
| - | - | - | - | - | - | - | J1 | 101 | 120 | J12 | DSI_D0P | I/O | - | - | - | - |
| - | - | - | - | - | - | - | J2 | 102 | 121 | J13 | DSI_D0N | I/O | - | - | - | - |
| - | - | - | - | - | - | - | H5 | 103 | 122 | G12 | VSSDSI | S | - | - | - | - |
| - | - | - | - | - | - | - | H4 | 104 | 123 | H12 | DSI_CKP | I/O | - | - | - | - |

Table 11. STM32F765xx, STM32F767xx, STM32F768Ax and STM32F769xx pin and ball definitions (continued)

| Pin Number | | | | | | | | | | | Pin name (function after reset) | Pin type | I/O structure | Notes | Alternate functions | Additional functions |
|----------------------------|---------|---------|----------|---------|---------|----------|----------------------------|---------|---------|----------|---------------------------------|----------|---------------|-------|--|----------------------|
| STM32F765xx STM32F767xx | | | | | | | STM32F768Ax STM32F769xx | | | | | | | | | |
| TFBGA100 | LQFP100 | LQFP144 | UFBGA176 | LQFP176 | LQFP208 | TFBGA216 | WLCSP180 ⁽¹⁾ | LQFP176 | LQFP208 | TFBGA216 | | | | | | |
| - | - | - | - | - | - | - | H3 | 105 | 124 | H13 | DSI_CKN | I/O | - | - | - | - |
| - | - | - | - | - | - | - | - | 106 | 125 | - | VDD12DSI | S | - | - | - | - |
| - | - | - | - | - | - | - | H1 | 107 | 126 | F12 | DSI_D1P | I/O | - | - | - | - |
| - | - | - | - | - | - | - | H2 | 108 | 127 | F13 | DSI_D1N | I/O | - | - | - | - |
| - | - | - | - | - | - | - | - | 109 | 128 | - | VSSDSI | S | - | - | - | - |
| - | - | - | - | - | 126 | G13 | - | - | - | - | PK0 | I/O | FT | - | LCD_G5, EVENTOUT | - |
| - | - | - | - | - | 127 | F12 | - | - | - | - | PK1 | I/O | FT | - | LCD_G6, EVENTOUT | - |
| - | - | - | - | - | 128 | F13 | - | - | - | - | PK2 | I/O | FT | - | LCD_G7, EVENTOUT | - |
| - | - | 87 | L15 | 106 | 129 | M13 | H9 | 110 | 129 | M13 | PG2 | I/O | FT | - | FMC_A12, EVENTOUT | - |
| - | - | 88 | K15 | 107 | 130 | M12 | G9 | 111 | 130 | M12 | PG3 | I/O | FT | - | FMC_A13, EVENTOUT | - |
| - | - | 89 | K14 | 108 | 131 | N12 | G1 | 112 | 131 | N12 | PG4 | I/O | FT | - | FMC_A14/FMC_BA0, EVENTOUT | - |
| - | - | 90 | K13 | 109 | 132 | N11 | G2 | 113 | 132 | N11 | PG5 | I/O | FT | - | FMC_A15/FMC_BA1, EVENTOUT | - |
| - | - | 91 | J15 | 110 | 133 | J15 | G3 | 114 | 133 | J15 | PG6 | I/O | FT | - | FMC_NE3, DCMI_D12, LCD_R7, EVENTOUT | - |
| - | - | 92 | J14 | 111 | 134 | J14 | G4 | 115 | 134 | J14 | PG7 | I/O | FT | - | SAI1_MCLK_A, USART6_CK, FMC_INT, DCMI_D13, LCD_CLK, EVENTOUT | - |
| - | - | 93 | H14 | 112 | 135 | H14 | G5 | 116 | 135 | H14 | PG8 | I/O | FT | - | SPI6_NSS, SPDIF_RX2, USART6_RTS, ETH_PPS_OUT, FMC_SDCLK, LCD_G7, EVENTOUT | - |
| - | - | 94 | G12 | 113 | 136 | G10 | F1 | 117 | 136 | G10 | VSS | S | - | - | - | - |
| F6 | - | 95 | H13 | 114 | 137 | G11 | F2 | 118 | 137 | G11 | VDDUSB | S | - | - | - | - |
| F10 | 63 | 96 | H15 | 115 | 138 | H15 | G6 | 119 | 138 | H15 | PC6 | I/O | FT | - | TIM3_CH1, TIM8_CH1, I2S2_MCK, DFSDM1_CKIN3, USART6_TX, FMC_NWAIT, SDMMC2_D6, SDMMC1_D6, DCMI_D0, LCD_HSYNC, EVENTOUT | - |

Table 11. STM32F765xx, STM32F767xx, STM32F768Ax and STM32F769xx pin and ball definitions (continued)

| Pin Number | | | | | | | | | | | Pin name (function after reset) | Pin type | I/O structure | Notes | Alternate functions | Additional functions |
|----------------------------|---------|---------|----------|---------|---------|----------------------------|-------------------------|---------|---------|----------|---------------------------------|----------|---------------|-------|--|----------------------|
| STM32F765xx STM32F767xx | | | | | | STM32F768Ax STM32F769xx | | | | | | | | | | |
| TFBGA100 | LQFP100 | LQFP144 | UFBGA176 | LQFP176 | LQFP208 | TFBGA216 | WLCSP180 ⁽¹⁾ | LQFP176 | LQFP208 | TFBGA216 | | | | | | |
| E10 | 64 | 97 | G15 | 116 | 139 | G15 | F3 | 120 | 139 | G15 | PC7 | I/O | FT | - | TIM3_CH2, TIM8_CH2, I2S3_MCK, DFSDM1_DATIN3, USART6_RX, FMC_NE1, SDMMC2_D7, SDMMC1_D7, DCMI_D1, LCD_G6, EVENTOUT | - |
| F9 | 65 | 98 | G14 | 117 | 140 | G14 | G8 | 121 | 140 | G14 | PC8 | I/O | FT | - | TRACED1, TIM3_CH3, TIM8_CH3, UART5_RTS, USART6_CK, FMC_NE2/FMC_NCE, SDMMC1_D0, DCMI_D2, EVENTOUT | - |
| E9 | 66 | 99 | F14 | 118 | 141 | F14 | E1 | 122 | 141 | F14 | PC9 | I/O | FT | - | MCO2, TIM3_CH4, TIM8_CH4, I2C3_SDA, I2S_CKIN, UART5_CTS, QUADSPI_BK1_IO0, LCD_G3, SDMMC1_D1, DCMI_D3, LCD_B2, EVENTOUT | -- |
| D9 | 67 | 100 | F15 | 119 | 142 | F15 | E2 | 123 | 142 | F15 | PA8 | I/O | FT | - | MCO1, TIM1_CH1, TIM8_BKIN2, I2C3_SCL, USART1_CK, OTG_FS_SOF, CAN3_RX, UART7_RX, LCD_B3, LCD_R6, EVENTOUT | - |
| C9 | 68 | 101 | E15 | 120 | 143 | E15 | F4 | 124 | 143 | E15 | PA9 | I/O | FT | - | TIM1_CH2, I2C3_SMBA, SPI2_SCK/I2S2_CK, USART1_TX, DCMI_D0, LCD_R5, EVENTOUT | OTG_FS_VB US |
| D10 | 69 | 102 | D15 | 121 | 144 | D15 | F5 | 125 | 144 | D15 | PA10 | I/O | FT | - | TIM1_CH3, USART1_RX, LCD_B4, OTG_FS_ID, MDIOS_MDIO, DCMI_D1, LCD_B1, EVENTOUT | - |
| C10 | 70 | 103 | C15 | 122 | 145 | C15 | E3 | 126 | 145 | C15 | PA11 | I/O | FT | - | TIM1_CH4, SPI2_NSS/I2S2_WS, UART4_RX, USART1_CTS, CAN1_RX, OTG_FS_DM, LCD_R4, EVENTOUT | - |
| B10 | 71 | 104 | B15 | 123 | 146 | B15 | D1 | 127 | 146 | B15 | PA12 | I/O | FT | - | TIM1_ETR, SPI2_SCK/I2S2_CK, UART4_TX, USART1_RTS, SAI2_FS_B, CAN1_TX, OTG_FS_DP, LCD_R5, EVENTOUT | - |

Table 11. STM32F765xx, STM32F767xx, STM32F768Ax and STM32F769xx pin and ball definitions (continued)

| Pin Number | | | | | | | | | | | Pin name (function after reset) | Pin type | I/O structure | Notes | Alternate functions | Additional functions |
|----------------------------|---------|---------|----------|---------|---------|----------------------------|-------------------------|---------|---------|----------|---------------------------------|----------|---------------|-------|--|----------------------|
| STM32F765xx STM32F767xx | | | | | | STM32F768Ax STM32F769xx | | | | | | | | | | |
| TFBGA100 | LQFP100 | LQFP144 | UFBGA176 | LQFP176 | LQFP208 | TFBGA216 | WLCSP180 ⁽¹⁾ | LQFP176 | LQFP208 | TFBGA216 | | | | | | |
| A10 | 72 | 105 | A15 | 124 | 147 | A15 | D2 | 128 | 147 | A15 | PA13(JTMS-SWDIO) | I/O | FT | - | JTMS-SWDIO, EVENTOUT | - |
| E7 | 73 | 106 | F13 | 125 | 148 | E11 | C1 | 129 | 148 | E11 | VCAP_2 | S | - | - | - | - |
| E5 | 74 | 107 | F12 | 126 | 149 | F10 | C2 | 130 | 149 | F10 | VSS | S | - | - | - | - |
| F5 | 75 | 108 | G13 | 127 | 150 | F11 | B2 | 131 | 150 | F11 | VDD | S | - | - | - | - |
| - | - | - | E12 | 128 | 151 | E12 | F6 | - | 151 | E12 | PH13 | I/O | FT | - | TIM8_CH1N, UART4_TX, CAN1_TX, FMC_D21, LCD_G2, EVENTOUT | - |
| - | - | - | E13 | 129 | 152 | E13 | F7 | - | 152 | E13 | PH14 | I/O | FT | - | TIM8_CH2N, UART4_RX, CAN1_RX, FMC_D22, DCMI_D4, LCD_G3, EVENTOUT | - |
| - | - | - | D13 | 130 | 153 | D13 | E5 | - | 153 | D13 | PH15 | I/O | FT | - | TIM8_CH3N, FMC_D23, DCMI_D11, LCD_G4, EVENTOUT | - |
| - | - | - | E14 | 131 | 154 | E14 | E4 | 132 | 154 | E14 | PI0 | I/O | FT | - | TIM5_CH4, SPI2_NSS/I2S2_WS, FMC_D24, DCMI_D13, LCD_G5, EVENTOUT | - |
| - | - | - | D14 | 132 | 155 | D14 | B3 | 133 | 155 | D14 | PI1 | I/O | FT | - | TIM8_BKIN2, SPI2_SCK/I2S2_CK, FMC_D25, DCMI_D8, LCD_G6, EVENTOUT | - |
| - | - | - | C14 | 133 | 156 | C14 | C3 | - | 156 | C14 | PI2 | I/O | FT | - | TIM8_CH4, SPI2_MISO, FMC_D26, DCMI_D9, LCD_G7, EVENTOUT | - |
| - | - | - | C13 | 134 | 157 | C13 | D3 | 134 | 157 | C13 | PI3 | I/O | FT | - | TIM8_ETR, SPI2_MOSI/I2S2_SD, FMC_D27, DCMI_D10, EVENTOUT | - |
| - | - | - | D9 | 135 | - | F9 | - | 135 | - | F9 | VSS | S | - | - | - | - |
| - | - | - | C9 | 136 | 158 | E10 | - | 136 | 158 | E10 | VDD | S | - | - | - | -- |
| A9 | 76 | 109 | A14 | 137 | 159 | A14 | A3 | 137 | 159 | A14 | PA14(JTCK-SWCLK) | I/O | FT | - | JTCK-SWCLK, EVENTOUT | - |

Table 11. STM32F765xx, STM32F767xx, STM32F768Ax and STM32F769xx pin and ball definitions (continued)

| Pin Number | | | | | | | | | | | Pin name (function after reset) | Pin type | I/O structure | Notes | Alternate functions | Additional functions |
|----------------------------|---------|---------|----------|---------|---------|----------------------------|-------------------------|---------|---------|----------|---------------------------------|----------|---------------|-------|---|----------------------|
| STM32F765xx STM32F767xx | | | | | | STM32F768Ax STM32F769xx | | | | | | | | | | |
| TFBGA100 | LQFP100 | LQFP144 | UFBGA176 | LQFP176 | LQFP208 | TFBGA216 | WLCSP180 ⁽¹⁾ | LQFP176 | LQFP208 | TFBGA216 | | | | | | |
| A8 | 77 | 110 | A13 | 138 | 160 | A13 | F8 | 138 | 160 | A13 | PA15(JTDI) | I/O | FT | - | JTDI, TIM2_CH1/TIM2_ETR, HDMI_CEC, SPI1_NSS/I2S1_WS, SPI3_NSS/I2S3_WS, SPI6_NSS, UART4_RTS, CAN3_TX, UART7_TX, EVENTOUT | - |
| B9 | 78 | 111 | B14 | 139 | 161 | B14 | B4 | 139 | 161 | B14 | PC10 | I/O | FT | - | DFSDM1_CKIN5, SPI3_SCK/I2S3_CK, USART3_TX, UART4_TX, QUADSPI_BK1_IO1, SDMMC1_D2, DCM1_D8, LCD_R2, EVENTOUT | - |
| B8 | 79 | 112 | B13 | 140 | 162 | B13 | C4 | 140 | 162 | B13 | PC11 | I/O | FT | - | DFSDM1_DATIN5, SPI3_MISO, USART3_RX, UART4_RX, QUADSPI_BK2_NCS, SDMMC1_D3, DCM1_D4, EVENTOUT | - |
| C8 | 80 | 113 | A12 | 141 | 163 | A12 | D4 | 141 | 163 | A12 | PC12 | I/O | FT | - | TRACED3, SPI3_MOSI/I2S3_SD, USART3_CK, UART5_TX, SDMMC1_CK, DCM1_D9, EVENTOUT | - |
| D8 | 81 | 114 | B12 | 142 | 164 | B12 | A4 | 142 | 164 | B12 | PD0 | I/O | FT | - | DFSDM1_CKIN6, DFSDM1_DATIN7, UART4_RX, CAN1_RX, FMC_D2, EVENTOUT | - |
| E8 | 82 | 115 | C12 | 143 | 165 | C12 | D5 | 143 | 165 | C12 | PD1 | I/O | FT | - | DFSDM1_DATIN6, DFSDM1_CKIN7, UART4_TX, CAN1_TX, FMC_D3, EVENTOUT | -- |
| B7 | 83 | 116 | D12 | 144 | 166 | D12 | D6 | 144 | 166 | D12 | PD2 | I/O | FT | - | TRACED2, TIM3_ETR, UART5_RX, SDMMC1_CMD, DCM1_D11, EVENTOUT | - |
| C7 | 84 | 117 | D11 | 145 | 167 | C11 | B5 | 145 | 167 | C11 | PD3 | I/O | FT | - | DFSDM1_CKOUT, SPI2_SCK/I2S2_CK, DFSDM1_DATIN0, USART2_CTS, FMC_CLK, DCM1_D5, LCD_G7, EVENTOUT | - |
| D7 | 85 | 118 | D10 | 146 | 168 | D11 | A5 | 146 | 168 | D11 | PD4 | I/O | FT | - | DFSDM1_CKIN0, USART2_RTS, FMC_NOE, EVENTOUT | - |

Table 11. STM32F765xx, STM32F767xx, STM32F768Ax and STM32F769xx pin and ball definitions (continued)

| Pin Number | | | | | | | | | | | Pin name (function after reset) | Pin type | I/O structure | Notes | Alternate functions | Additional functions |
|----------------------------|---------|---------|----------|---------|---------|----------------------------|-------------------------|---------|---------|----------|---------------------------------|----------|---------------|-------|--|----------------------|
| STM32F765xx STM32F767xx | | | | | | STM32F768Ax STM32F769xx | | | | | | | | | | |
| TFBGA100 | LQFP100 | LQFP144 | UFBGA176 | LQFP176 | LQFP208 | TFBGA216 | WLCSP180 ⁽¹⁾ | LQFP176 | LQFP208 | TFBGA216 | | | | | | |
| B6 | 86 | 119 | C11 | 147 | 169 | C10 | C5 | 147 | 169 | C10 | PD5 | I/O | FT | - | USART2_TX, FMC_NWE, EVENTOUT | - |
| - | - | 120 | D8 | 148 | 170 | F8 | B6 | 148 | 170 | F8 | VSS | S | - | - | - | - |
| - | - | 121 | C8 | 149 | 171 | E9 | A6 | 149 | 171 | E9 | VDDSDM MC | S | - | - | - | - |
| C6 | 87 | 122 | B11 | 150 | 172 | B11 | E6 | 150 | 172 | B11 | PD6 | I/O | FT | - | DFSDM1_CKIN4, SPI3_MOSI/I2S3_SD, SAI1_SD_A, USART2_RX, DFSDM1_DATIN1, SDMMC2_CK, FMC_NWAIT, DCMI_D10, LCD_B2, EVENTOUT | - |
| D6 | 88 | 123 | A11 | 151 | 173 | A11 | E7 | 151 | 173 | A11 | PD7 | I/O | FT | - | DFSDM1_DATIN4, SPI1_MOSI/I2S1_SD, DFSDM1_CKIN1, USART2_CK, SPDIF_RX0, SDMMC2_CMD, FMC_NE1, EVENTOUT | - |
| - | - | - | - | - | 174 | B10 | NC | - | 174 | B10 | PJ12 | I/O | FT | - | LCD_G3, LCD_B0, EVENTOUT | - |
| - | - | - | - | - | 175 | B9 | NC | - | 175 | B9 | PJ13 | I/O | FT | - | LCD_G4, LCD_B1, EVENTOUT | - |
| - | - | - | - | - | 176 | C9 | NC | - | 176 | C9 | PJ14 | I/O | FT | - | LCD_B2, EVENTOUT | - |
| - | - | - | - | - | 177 | D10 | - | - | 177 | D10 | PJ15 | I/O | FT | - | LCD_B3, EVENTOUT | - |
| - | - | 124 | C10 | 152 | 178 | D9 | C6 | 152 | 178 | D9 | PG9 | I/O | FT | - | SPI1_MISO, SPDIF_RX3, USART6_RX, QUADSPI_BK2_IO2, SAI2_FS_B, SDMMC2_D0, FMC_NE2/FMC_NCE, DCMI_VSYNC, EVENTOUT | - |
| - | - | 125 | B10 | 153 | 179 | C8 | A7 | 153 | 179 | C8 | PG10 | I/O | FT | - | SPI1_NSS/I2S1_WS, LCD_G3, SAI2_SD_B, SDMMC2_D1, FMC_NE3, DCMI_D2, LCD_B2, EVENTOUT | - |
| - | - | 126 | B9 | 154 | 180 | B8 | B7 | 154 | 180 | B8 | PG11 | I/O | FT | - | SPI1_SCK/I2S1_CK, SPDIF_RX0, SDMMC2_D2, ETH_MII_TX_EN/ETH_RMII_T X_EN, DCMI_D3, LCD_B3, EVENTOUT | - |

Table 11. STM32F765xx, STM32F767xx, STM32F768Ax and STM32F769xx pin and ball definitions (continued)

| Pin Number | | | | | | | | | | | Pin name (function after reset) | Pin type | I/O structure | Notes | Alternate functions | Additional functions |
|----------------------------|---------|---------|----------|---------|---------|----------------------------|-------------------------|---------|---------|----------|---------------------------------|----------|---------------|-------|---|----------------------|
| STM32F765xx STM32F767xx | | | | | | STM32F768Ax STM32F769xx | | | | | | | | | | |
| TFBGA100 | LQFP100 | LQFP144 | UFBGA176 | LQFP176 | LQFP208 | TFBGA216 | WLCSP180 ⁽¹⁾ | LQFP176 | LQFP208 | TFBGA216 | | | | | | |
| - | - | 127 | B8 | 155 | 181 | C7 | D7 | 155 | 181 | C7 | PG12 | I/O | FT | - | LPTIM1_IN1, SPI6_MISO, SPDIF_RX1, USART6_RTS, LCD_B4, SDMMC2_D3, FMC_NE4, LCD_B1, EVENTOUT | - |
| - | - | 128 | A8 | 156 | 182 | B3 | C7 | 156 | 182 | B3 | PG13 | I/O | FT | - | TRACED0, LPTIM1_OUT, SPI6_SCK, USART6_CTS, ETH_MII_TXD0/ETH_RMII_TXD0, FMC_A24, LCD_R0, EVENTOUT | - |
| - | - | 129 | A7 | 157 | 183 | A4 | NC | 157 | 183 | A4 | PG14 | I/O | FT | - | TRACED1, LPTIM1_ETR, SPI6_MOSI, USART6_TX, QUADSPI_BK2_IO3, ETH_MII_TXD1/ETH_RMII_TXD1, FMC_A25, LCD_B0, EVENTOUT | - |
| - | - | 130 | D7 | 158 | 184 | F7 | A8 | 158 | 184 | F7 | VSS | S | - | - | - | - |
| - | - | 131 | C7 | 159 | 185 | E8 | B8 | 159 | 185 | E8 | VDD | S | - | - | - | - |
| - | - | - | - | - | 186 | D8 | NC | - | 186 | D8 | PK3 | I/O | FT | - | LCD_B4, EVENTOUT | - |
| - | - | - | - | - | 187 | D7 | NC | - | 187 | D7 | PK4 | I/O | FT | - | LCD_B5, EVENTOUT | - |
| - | - | - | - | - | 188 | C6 | NC | - | 188 | C6 | PK5 | I/O | FT | - | LCD_B6, EVENTOUT | - |
| - | - | - | - | - | 189 | C5 | NC | - | 189 | C5 | PK6 | I/O | FT | - | LCD_B7, EVENTOUT | - |
| - | - | - | - | - | 190 | C4 | NC | - | 190 | C4 | PK7 | I/O | FT | - | LCD_DE, EVENTOUT | - |
| - | - | 132 | B7 | 160 | 191 | B7 | F9 | 160 | 191 | B7 | PG15 | I/O | FT | - | USART6_CTS, FMC_SDN CAS, DCMI_D13, EVENTOUT | - |
| A7 | 89 | 133 | A10 | 161 | 192 | A10 | E8 | 161 | 192 | A10 | PB3 (JTDO/TRACESWO) | I/O | FT | - | JTDO/TRACESWO, TIM2_CH2, SPI1_SCK/I2S1_CK, SPI3_SCK/I2S3_CK, SPI6_SCK, SDMMC2_D2, CAN3_RX, UART7_RX, EVENTOUT | - |
| A6 | 90 | 134 | A9 | 162 | 193 | A9 | D8 | 162 | 193 | A9 | PB4(NJTRST) | I/O | FT | - | NJTRST, TIM3_CH1, SPI1_MISO, SPI3_MISO, SPI2_NSS/I2S2_WS, SPI6_MISO, SDMMC2_D3, CAN3_TX, UART7_TX, EVENTOUT | - |

Table 11. STM32F765xx, STM32F767xx, STM32F768Ax and STM32F769xx pin and ball definitions (continued)

| Pin Number | | | | | | | | | | | Pin name (function after reset) | Pin type | I/O structure | Notes | Alternate functions | Additional functions |
|----------------------------|---------|---------|----------|---------|---------|----------------------------|-------------------------|---------|---------|----------|---------------------------------|----------|---------------|-------|--|----------------------|
| STM32F765xx STM32F767xx | | | | | | STM32F768Ax STM32F769xx | | | | | | | | | | |
| TFBGA100 | LQFP100 | LQFP144 | UFBGA176 | LQFP176 | LQFP208 | TFBGA216 | WLCSP180 ⁽¹⁾ | LQFP176 | LQFP208 | TFBGA216 | | | | | | |
| C5 | 91 | 135 | A6 | 163 | 194 | A8 | A9 | 163 | 194 | A8 | PB5 | I/O | FT | - | UART5_RX, TIM3_CH2, I2C1_SMBA, SPI1_MOSI/I2S1_SD, SPI3_MOSI/I2S3_SD, SPI6_MOSI, CAN2_RX, OTG_HS_ULPI_D7, ETH_PPS_OUT, FMC_SDCKE1, DCM1_D10, LCD_G7, EVENTOUT | - |
| B5 | 92 | 136 | B6 | 164 | 195 | B6 | B9 | 164 | 195 | B6 | PB6 | I/O | FT | - | UART5_TX, TIM4_CH1, HDMI_CEC, I2C1_SCL, DFSDM1_DATIN5, USART1_TX, CAN2_TX, QUADSPI_BK1_NCS, I2C4_SCL, FMC_SDNE1, DCM1_D5, EVENTOUT | - |
| A5 | 93 | 137 | B5 | 165 | 196 | B5 | C8 | 165 | 196 | B5 | PB7 | I/O | FT | - | TIM4_CH2, I2C1_SDA, DFSDM1_CKIN5, USART1_RX, I2C4_SDA, FMC_NL, DCM1_VSYNC, EVENTOUT | - |
| D5 | 94 | 138 | D6 | 166 | 197 | E6 | A10 | 166 | 197 | E6 | BOOT0 | I | B | - | - | VPP |
| B4 | 95 | 139 | A5 | 167 | 198 | A7 | E9 | 167 | 198 | A7 | PB8 | I/O | FT | - | I2C4_SCL, TIM4_CH3, TIM10_CH1, I2C1_SCL, DFSDM1_CKIN7, UART5_RX, CAN1_RX, SDMMC2_D4, ETH_MII_TXD3, SDMMC1_D4, DCM1_D6, LCD_B6, EVENTOUT | - |
| A4 | 96 | 140 | B4 | 168 | 199 | B4 | D9 | 168 | 199 | B4 | PB9 | I/O | FT | - | I2C4_SDA, TIM4_CH4, TIM11_CH1, I2C1_SDA, SPI2_NSS/I2S2_WS, DFSDM1_DATIN7, UART5_TX, CAN1_TX, SDMMC2_D5, I2C4_SMBA, SDMMC1_D5, DCM1_D7, LCD_B7, EVENTOUT | - |
| D4 | 97 | 141 | A4 | 169 | 200 | A6 | C9 | 169 | 200 | A6 | PE0 | I/O | FT | - | TIM4_ETR, LPTIM1_ETR, UART8_RX, SAI2_MCLK_A, FMC_NBL0, DCM1_D2, EVENTOUT | - |
| C4 | 98 | 142 | A3 | 170 | 201 | A5 | B10 | 170 | 201 | A5 | PE1 | I/O | FT | - | LPTIM1_IN2, UART8_TX, FMC_NBL1, DCM1_D3, EVENTOUT | - |

Table 11. STM32F765xx, STM32F767xx, STM32F768Ax and STM32F769xx pin and ball definitions (continued)

| Pin Number | | | | | | | | | | | Pin name (function after reset) | Pin type | I/O structure | Notes | Alternate functions | Additional functions |
|----------------------------|---------|---------|----------|---------|---------|----------------------------|-------------------------|---------|---------|----------|---------------------------------|----------|---------------|-------|--|----------------------|
| STM32F765xx STM32F767xx | | | | | | STM32F768Ax STM32F769xx | | | | | | | | | | |
| TFBGA100 | LQFP100 | LQFP144 | UFBGA176 | LQFP176 | LQFP208 | TFBGA216 | WLCSP180 ⁽¹⁾ | LQFP176 | LQFP208 | TFBGA216 | | | | | | |
| E4 | 99 | - | D5 | - | 202 | F6 | A11 | - | 202 | F6 | VSS | S | - | - | - | - |
| F7 | - | 143 | C6 | 171 | 203 | E5 | C10 | 171 | 203 | E5 | PDR_ON | S | - | - | - | - |
| F4 | 100 | 144 | C5 | 172 | 204 | E7 | B11 | 172 | 204 | E7 | VDD | S | - | - | - | - |
| - | - | - | D4 | 173 | 205 | C3 | D10 | 173 | 205 | C3 | PI4 | I/O | FT | - | TIM8_BKIN, SAI2_MCLK_A, FMC_NBL2, DCMI_D5, LCD_B4, EVENTOUT | - |
| - | - | - | C4 | 174 | 206 | D3 | D11 | 174 | 206 | D3 | PI5 | I/O | FT | - | TIM8_CH1, SAI2_SCK_A, FMC_NBL3, DCMI_VSYNC, LCD_B5, EVENTOUT | - |
| - | - | - | C3 | 175 | 207 | D6 | C11 | 175 | 207 | D6 | PI6 | I/O | FT | - | TIM8_CH2, SAI2_SD_A, FMC_D28, DCMI_D6, LCD_B6, EVENTOUT | - |
| - | - | - | C2 | 176 | 208 | D4 | B12 | 176 | 208 | D4 | PI7 | I/O | FT | - | TIM8_CH3, SAI2_FS_A, FMC_D29, DCMI_D7, LCD_B7, EVENTOUT | - |
| - | - | - | F6 | - | - | - | - | - | - | - | VSS | S | - | - | - | - |
| - | - | - | F7 | - | - | - | - | - | - | - | VSS | S | - | - | - | - |
| - | - | - | F8 | - | - | - | - | - | - | - | VSS | S | - | - | - | - |
| - | - | - | F9 | - | - | - | - | - | - | - | VSS | S | - | - | - | - |
| - | - | - | F10 | - | - | - | - | - | - | - | VSS | S | - | - | - | - |
| - | - | - | G6 | - | - | - | - | - | - | - | VSS | S | - | - | - | - |
| - | - | - | G7 | - | - | - | - | - | - | - | VSS | S | - | - | - | - |
| - | - | - | G8 | - | - | - | - | - | - | - | VSS | S | - | - | - | - |
| - | - | - | G9 | - | - | - | - | - | - | - | VSS | S | - | - | - | - |
| - | - | - | G10 | - | - | - | - | - | - | - | VSS | S | - | - | - | - |
| - | - | - | H6 | - | - | - | - | - | - | - | VSS | S | - | - | - | - |
| - | - | - | H7 | - | - | - | - | - | - | - | VSS | S | - | - | - | - |
| - | - | - | H8 | - | - | - | - | - | - | - | VSS | S | - | - | - | - |
| - | - | - | H9 | - | - | - | - | - | - | - | VSS | S | - | - | - | - |
| - | - | - | H10 | - | - | - | - | - | - | - | VSS | S | - | - | - | - |
| - | - | - | J6 | - | - | - | - | - | - | - | VSS | S | - | - | - | - |

Table 11. STM32F765xx, STM32F767xx, STM32F768Ax and STM32F769xx pin and ball definitions (continued)

| Pin Number | | | | | | | | | | Pin name (function after reset) | Pin type | I/O structure | Notes | Alternate functions | Additional functions | |
|----------------------------|---------|---------|----------|---------|----------------------------|----------|-------------------------|---------|---------|---------------------------------|----------|---------------|-------|---------------------|----------------------|----------|
| STM32F765xx STM32F767xx | | | | | STM32F768Ax STM32F769xx | | | | | | | | | | | |
| TFBGA100 | LQFP100 | LQFP144 | UFBGA176 | LQFP176 | LQFP208 | TFBGA216 | WLCSP180 ⁽¹⁾ | LQFP176 | LQFP208 | | | | | | | TFBGA216 |
| - | - | - | J7 | - | - | - | - | - | - | - | VSS | S | - | - | - | - |
| - | - | - | J8 | - | - | - | - | - | - | - | VSS | S | - | - | - | - |
| - | - | - | J9 | - | - | - | - | - | - | - | VSS | S | - | - | - | - |
| - | - | - | J10 | - | - | - | - | - | - | - | VSS | S | - | - | - | - |
| - | - | - | K6 | - | - | - | - | - | - | - | VSS | S | - | - | - | - |
| - | - | - | K7 | - | - | - | - | - | - | - | VSS | S | - | - | - | - |
| - | - | - | K8 | - | - | - | - | - | - | - | VSS | S | - | - | - | - |
| - | - | - | K9 | - | - | - | - | - | - | - | VSS | S | - | - | - | - |
| - | - | - | K10 | - | - | - | - | - | - | - | VSS | S | - | - | - | - |

1. NC (not-connected) pins are not bonded. They must be configured by software to output push-pull and forced to 0 in the output data register to avoid an extra current consumption in low-power modes. list of pins: PI8, PI12, PI13, PI14, PF6, PF7, PF8, PF9, PC2, PC3, PC4, PC5, PI15, PJ0, PJ1, PJ2, PJ3, PJ4, PJ5, PH6, PH7, PJ12, PJ13, PJ14, PJ15, PG14, PK3, PK4, PK5, PK6 and PK7.
2. PC13, PC14, PC15 and PI8 are supplied through the power switch. Since the switch only sinks a limited amount of current (3 mA), the use of GPIOs PC13 to PC15 and PI8 in output mode is limited: - The speed should not exceed 2 MHz with a maximum load of 30 pF. - These I/Os must not be used as a current source (e.g. to drive an LED).
3. FT = 5 V tolerant except when in analog mode or oscillator mode (for PC14, PC15, PH0 and PH1).
4. If the device is in regulator OFF/internal reset ON mode (BYPASS_REG pin is set to VDD), then PA0 is used as an internal reset (active low).
5. Internally connected to VDD or VSS depending on part number.

Table 12. FMC pin definition

| Pin name | NOR/PSRAM/SRAM | NOR/PSRAM Mux | NAND16 | SDRAM |
|----------|----------------|---------------|--------|-------|
| PF0 | A0 | - | - | A0 |
| PF1 | A1 | - | - | A1 |
| PF2 | A2 | - | - | A2 |
| PF3 | A3 | - | - | A3 |
| PF4 | A4 | - | - | A4 |
| PF5 | A5 | - | - | A5 |
| PF12 | A6 | - | - | A6 |
| PF13 | A7 | - | - | A7 |
| PF14 | A8 | - | - | A8 |
| PF15 | A9 | - | - | A9 |
| PG0 | A10 | - | - | A10 |
| PG1 | A11 | - | - | A11 |
| PG2 | A12 | - | - | A12 |
| PG3 | A13 | - | - | - |
| PG4 | A14 | - | - | BA0 |
| PG5 | A15 | - | - | BA1 |
| PD11 | A16 | A16 | CLE | - |
| PD12 | A17 | A17 | ALE | - |
| PD13 | A18 | A18 | - | - |
| PE3 | A19 | A19 | - | - |
| PE4 | A20 | A20 | - | - |
| PE5 | A21 | A21 | - | - |
| PE6 | A22 | A22 | - | - |
| PE2 | A23 | A23 | - | - |
| PG13 | A24 | A24 | - | - |
| PG14 | A25 | A25 | - | - |
| PD14 | D0 | DA0 | D0 | D0 |
| PD15 | D1 | DA1 | D1 | D1 |
| PD0 | D2 | DA2 | D2 | D2 |
| PD1 | D3 | DA3 | D3 | D3 |
| PE7 | D4 | DA4 | D4 | D4 |
| PE8 | D5 | DA5 | D5 | D5 |
| PE9 | D6 | DA6 | D6 | D6 |
| PE10 | D7 | DA7 | D7 | D7 |

Table 12. FMC pin definition (continued)

| Pin name | NOR/PSRAM/SRAM | NOR/PSRAM Mux | NAND16 | SDRAM |
|----------|----------------|---------------|--------|-------|
| PE11 | D8 | DA8 | D8 | D8 |
| PE12 | D9 | DA9 | D9 | D9 |
| PE13 | D10 | DA10 | D10 | D10 |
| PE14 | D11 | DA11 | D11 | D11 |
| PE15 | D12 | DA12 | D12 | D12 |
| PD8 | D13 | DA13 | D13 | D13 |
| PD9 | D14 | DA14 | D14 | D14 |
| PD10 | D15 | DA15 | D15 | D15 |
| PH8 | D16 | - | - | D16 |
| PH9 | D17 | - | - | D17 |
| PH10 | D18 | - | - | D18 |
| PH11 | D19 | - | - | D19 |
| PH12 | D20 | - | - | D20 |
| PH13 | D21 | - | - | D21 |
| PH14 | D22 | - | - | D22 |
| PH15 | D23 | - | - | D23 |
| PI0 | D24 | - | - | D24 |
| PI1 | D25 | - | - | D25 |
| PI2 | D26 | - | - | D26 |
| PI3 | D27 | - | - | D27 |
| PI6 | D28 | - | - | D28 |
| PI7 | D29 | - | - | D29 |
| PI9 | D30 | - | - | D30 |
| PI10 | D31 | - | - | D31 |
| PD7 | NE1 | NE1 | - | - |
| PG6 | NE3 | - | - | - |
| PG9 | NE2 | NE2 | NCE | - |
| PG10 | NE3 | NE3 | - | - |
| PG11 | - | - | - | - |
| PG12 | NE4 | NE4 | - | - |
| PD3 | CLK | CLK | - | - |
| PD4 | NOE | NOE | NOE | - |
| PD5 | NWE | NWE | NWE | - |
| PD6 | NWAIT | NWAIT | NWAIT | - |

Table 12. FMC pin definition (continued)

| Pin name | NOR/PSRAM/SRAM | NOR/PSRAM Mux | NAND16 | SDRAM |
|----------|----------------|---------------|--------|--------|
| PB7 | NADV | NADV | - | - |
| PF6 | - | - | - | - |
| PF7 | - | - | - | - |
| PF8 | - | - | - | - |
| PF9 | - | - | - | - |
| PF10 | - | - | - | - |
| PG6 | - | - | - | - |
| PG7 | - | - | INT | - |
| PE0 | NBL0 | NBL0 | - | NBL0 |
| PE1 | NBL1 | NBL1 | - | NBL1 |
| PI4 | NBL2 | - | - | NBL2 |
| PI5 | NBL3 | - | - | NBL3 |
| PG8 | - | - | - | SDCLK |
| PC0 | - | - | - | SDNWE |
| PF11 | - | - | - | SDNRAS |
| PG15 | - | - | - | SDNCAS |
| PH2 | - | - | - | SDCKE0 |
| PH3 | - | - | - | SDNE0 |
| PH6 | - | - | - | SDNE1 |
| PH7 | - | - | - | SDCKE1 |
| PH5 | - | - | - | SDNWE |
| PC2 | - | - | - | SDNE0 |
| PC3 | - | - | - | SDCKE0 |
| PC6 | NWAIT | NWAIT | NWAIT | - |
| PB5 | - | - | - | SDCKE1 |
| PB6 | - | - | - | SDNE1 |



Table 13. STM32F765xx, STM32F767xx, STM32F768Ax and STM32F769xx alternate function mapping

| Port | | AF0 | AF1 | AF2 | AF3 | AF4 | AF5 | AF6 | AF7 | AF8 | AF9 | AF10 | AF11 | AF12 | AF13 | AF14 | AF15 |
|--------|-----|-----------|--------------------|-----------|--------------------------------|-----------------------|--|--|--|------------------------------------|------------------------------------|--|---------------------------------|--------------------------------|--------------|-----------|-----------|
| Port | | SYS | I2C4/UART5/TIM1/2 | TIM3/4/5 | TIM8/9/10/11/LPTIM1/DFSDM1/CEC | I2C1/2/3/4/USART1/CEC | SPI1/I2S1/SPI2/I2S2/SPI3/I2S3/SPI4/5/6 | SPI2/I2S2/SPI3/I2S3/SPI6/I2C4/UART4/DFSDM1 | SPI2/I2S2/SPI3/I2S3/SPI6/USART1/2/3/UART5/DFSDM1/SPDIF | SPI6/SAI6/UART4/5/7/8/OTG_FS/SPDIF | CAN1/2/TIM12/13/14/QUADSPI/FMC/LCD | SAI2/QUADSPI/DMMC2/DFSDM1/OTG_HS/OTG1_FS/LCD | I2C4/CAN3/SDMMC2/ETH | UART7/FMC/SDMMC1/MDIOS/OTG2_FS | DCMI/LCD/DSI | LCD | SYS |
| Port A | PA0 | - | TIM2_C H1/TIM2_ETR | TIM5_C H1 | TIM8_ETR | - | - | - | USART2_CTS | UART4_TX | - | SAI2_SD_B | ETH_MII_CRS | - | - | - | EVEN TOUT |
| | PA1 | - | TIM2_C H2 | TIM5_C H2 | - | - | - | - | USART2_RTS | UART4_RX | QUADSPI_BK1_IO3 | SAI2_MC_K_B | ETH_MII_RX_CLK/ETH_RMII_REF_CLK | - | - | LCD_R2 | EVEN TOUT |
| | PA2 | - | TIM2_C H3 | TIM5_C H3 | TIM9_CH1 | - | - | - | USART2_TX | SAI2_SCK_B | - | - | ETH_MDIO | MDIOS_MDIO | - | LCD_R1 | EVEN TOUT |
| | PA3 | - | TIM2_C H4 | TIM5_C H4 | TIM9_CH2 | - | - | - | USART2_RX | - | LCD_B2 | OTG_HS_ULPI_D0 | ETH_MII_COL | - | - | LCD_B5 | EVEN TOUT |
| | PA4 | - | - | - | - | - | SPI1_NSS/I2S1_WS | SPI3_NSS/I2S3_WS | USART2_CK | SPI6_NSS | - | - | - | OTG_HS_SOF | DCMI_H_SYNC | LCD_VSYNC | EVEN TOUT |
| | PA5 | - | TIM2_C H1/TIM2_ETR | - | TIM8_CH1N | - | SPI1_SCK/I2S1_CK | - | - | SPI6_SCK | - | OTG_HS_ULPI_CK | - | - | - | LCD_R4 | EVEN TOUT |
| | PA6 | - | TIM1_BKIN | TIM3_C H1 | TIM8_BKIN | - | SPI1_MISO | - | - | SPI6_MISO | TIM13_C H1 | - | - | MDIOS_MDC | DCMI_PIXCLK | LCD_G2 | EVEN TOUT |
| | PA7 | - | TIM1_C H1N | TIM3_C H2 | TIM8_CH1N | - | SPI1_MOSI/I2S1_SD | - | - | SPI6_MOSI | TIM14_C H1 | - | ETH_MII_RX_DV/ETH_RMII_CRS_DV | FMC_SD_NWE | - | - | EVEN TOUT |
| | PA8 | MCO1 | TIM1_C H1 | - | TIM8_BKIN2 | I2C3_SCL | - | - | USART1_CK | - | - | OTG_FS_SOF | CAN3_RX | UART7_RX | LCD_B3 | LCD_R6 | EVEN TOUT |
| | PA9 | - | TIM1_C H2 | - | - | I2C3_SMBA | SPI2_SCK/I2S2_CK | - | USART1_TX | - | - | - | - | - | DCMI_D0 | LCD_R5 | EVEN TOUT |
| PA10 | - | TIM1_C H3 | - | - | - | - | - | USART1_RX | - | LCD_B4 | OTG_FS_ID | - | MDIOS_MDIO | DCMI_D1 | LCD_B1 | EVEN TOUT | |



Table 13. STM32F765xx, STM32F767xx, STM32F768Ax and STM32F769xx alternate function mapping (continued)

| Port | | AF0 | AF1 | AF2 | AF3 | AF4 | AF5 | AF6 | AF7 | AF8 | AF9 | AF10 | AF11 | AF12 | AF13 | AF14 | AF15 |
|--------|------|---------------|--------------------|-----------|--------------------------------|-----------------------|--|--|--|---|------------------------------------|---|----------------------|--------------------------------|--------------|--------|-----------|
| Port | | SYS | I2C4/UART5/TIM1/2 | TIM3/4/5 | TIM8/9/10/11/LPTIM1/DFSDM1/CEC | I2C1/2/3/4/USART1/CEC | SPI1/I2S1/SPI2/I2S2/SPI3/I2S3/SPI4/5/6 | SPI2/I2S2/SPI3/I2S3/SAI1/I2C4/UART4/DFSDM1 | SPI2/I2S2/SPI3/I2S3/SPI6/USART1/2/3/UART5/DFSDM1/SPDIF | SPI6/SAI2/USART6/UART4/5/7/8/OTG_FS/SPDIF | CAN1/2/TIM12/13/14/QUADSPI/FMC/LCD | SAI2/QUADSPI/SDMMC2/DFSDM1/OTG_HS/OTG1_FS/LCD | I2C4/CAN3/SDMMC2/ETH | UART7/FMC/SDMMC1/MDIOS/OTG2_FS | DCMI/LCD/DSI | LCD | SYS |
| Port A | PA11 | - | TIM1_C H4 | - | - | - | SPI2_NS S/I2S2_WS | UART4_RX | USART1_CTS | - | CAN1_RX | OTG_FS_DM | - | - | - | LCD_R4 | EVEN TOUT |
| | PA12 | - | TIM1_ETR | - | - | - | SPI2_SCK/I2S2_CK | UART4_TX | USART1_RTS | SAI2_FS_B | CAN1_TX | OTG_FS_DP | - | - | - | LCD_R5 | EVEN TOUT |
| | PA13 | JTMS-SWDIO | - | - | - | - | - | - | - | - | - | - | - | - | - | - | EVEN TOUT |
| | PA14 | JTCK-SWCLK | - | - | - | - | - | - | - | - | - | - | - | - | - | - | EVEN TOUT |
| | PA15 | JTDI | TIM2_C H1/TIM2_ETR | - | - | HDMI-CEC | SPI1_NS S/I2S1_WS | SPI3_NS S/I2S3_WS | SPI6_NS S | UART4_RTS | - | - | CAN3_TX | UART7_TX | - | - | EVEN TOUT |
| Port B | PB0 | - | TIM1_C H2N | TIM3_C H3 | TIM8_CH 2N | - | - | DFSDM1_CKOUT | - | UART4_CTS | LCD_R3 | OTG_HS_ULPI_D1 | ETH_MII_RXD2 | - | - | LCD_G1 | EVEN TOUT |
| | PB1 | - | TIM1_C H3N | TIM3_C H4 | TIM8_CH 3N | - | - | DFSDM1_DATIN1 | - | - | LCD_R6 | OTG_HS_ULPI_D2 | ETH_MII_RXD3 | - | - | LCD_G0 | EVEN TOUT |
| | PB2 | - | - | - | - | - | - | SAI1_SDA | SPI3_MOSI/I2S3_SD | - | QUADSPI_CLK | DFSDM1_CKIN1 | - | - | - | - | EVEN TOUT |
| | PB3 | JTDO/TRACESWO | TIM2_C H2 | - | - | - | SPI1_SCK/I2S1_CK | SPI3_SCK/I2S3_CK | - | SPI6_SCK | - | SDMMC2_D2 | CAN3_RX | UART7_RX | - | - | EVEN TOUT |
| | PB4 | NJTRST | - | TIM3_C H1 | - | - | SPI1_MISO | SPI3_MISO | SPI2_NS S/I2S2_WS | SPI6_MISO | - | SDMMC2_D3 | CAN3_TX | UART7_TX | - | - | EVEN TOUT |
| | PB5 | - | UART5_RX | TIM3_C H2 | - | I2C1_SMB | SPI1_MOSI/I2S1_SD | SPI3_MOSI/I2S3_SD | - | SPI6_MOSI | CAN2_RX | OTG_HS_ULPI_D7 | ETH_PPS_OUT | FMC_SD_CKE1 | DCMI_D10 | LCD_G7 | EVEN TOUT |
| | PB6 | - | UART5_TX | TIM4_C H1 | HDMI-CEC | I2C1_SCL | - | DFSDM1_DATIN5 | USART1_TX | - | CAN2_TX | QUADSPI_BK1_NCS | I2C4_SCL | FMC_SD_NE1 | DCMI_D5 | - | EVEN TOUT |



Table 13. STM32F765xx, STM32F767xx, STM32F768Ax and STM32F769xx alternate function mapping (continued)

| Port | | AF0 | AF1 | AF2 | AF3 | AF4 | AF5 | AF6 | AF7 | AF8 | AF9 | AF10 | AF11 | AF12 | AF13 | AF14 | AF15 |
|--------|------|-----------|-------------------|-----------|--------------------------------|-----------------------|--|--|--|---|------------------------------------|---|------------------------------|--------------------------------|--------------|--------|-----------|
| | | SYS | I2C4/UART5/TIM1/2 | TIM3/4/5 | TIM8/9/10/11/LPTIM1/DFSDM1/CEC | I2C1/2/3/4/USART1/CEC | SPI1/I2S1/SPI2/I2S2/SPI3/I2S3/SPI4/5/6 | SPI2/I2S2/SPI3/I2S3/SAI1/I2C4/UART4/DFSDM1 | SPI2/I2S2/SPI3/I2S3/SPI6/USART1/2/3/UART5/DFSDM1/SPDIF | SPI6/SAI2/USART6/UART4/5/7/8/OTG_FS/SPDIF | CAN1/2/TIM12/13/14/QUADSPI/FMC/LCD | SAI2/QUADSPI/SDMMC2/DFSDM1/OTG_HS/OTG1_FS/LCD | I2C4/CAN3/SDMMC2/ETH | UART7/FMC/SDMMC1/MDIOS/OTG2_FS | DCMI/LCD/DSI | LCD | SYS |
| Port B | PB7 | - | - | TIM4_C H2 | - | I2C1_SDA | - | DFSDM1_CKIN5 | USART1_RX | - | - | - | I2S4_SDA | FMC_NL | DCMI_V SYNC | - | EVEN TOUT |
| | PB8 | - | I2C4_SCL | TIM4_C H3 | TIM10_C H1 | I2C1_SCL | - | DFSDM1_CKIN7 | UART5_RX | - | CAN1_RX | SDMMC2_D4 | ETH_MII_TXD3 | SDMMC_D4 | DCMI_D6 | LCD_B6 | EVEN TOUT |
| | PB9 | - | I2C4_SDA | TIM4_C H4 | TIM11_CH1 | I2C1_SDA | SPI2_NSS/I2S2_WS | DFSDM1_DATIN7 | UART5_TX | - | CAN1_TX | SDMMC2_D5 | I2C4_SMB A | SDMMC_D5 | DCMI_D7 | LCD_B7 | EVEN TOUT |
| | PB10 | - | TIM2_C H3 | - | - | I2C2_SCL | SPI2_SCK/I2S2_CK | DFSDM1_DATIN7 | USART3_TX | - | QUADSPI_BK1_NCS | OTG_HS_ULPI_D3 | ETH_MII_RX_ER | - | - | LCD_G4 | EVEN TOUT |
| | PB11 | - | TIM2_C H4 | - | - | I2C2_SDA | - | DFSDM1_CKIN7 | USART3_RX | - | - | OTG_HS_ULPI_D4 | ETH_MII_TX_EN/ETH_RMII_TX_EN | - | DSI_TE | LCD_G5 | EVEN TOUT |
| | PB12 | - | TIM1_BKIN | - | - | I2C2_SMB A | SPI2_NSS/I2S2_WS | DFSDM1_DATIN1 | USART3_CK | UART5_RX | CAN2_RX | OTG_HS_ULPI_D5 | ETH_MII_TXD0/ETH_RMII_TXD0 | OTG_HS_ID | - | - | EVEN TOUT |
| | PB13 | - | TIM1_C H1N | - | - | - | SPI2_SCK/I2S2_CK | DFSDM1_CKIN1 | USART3_CTS | UART5_TX | CAN2_TX | OTG_HS_ULPI_D6 | ETH_MII_TXD1/ETH_RMII_TXD1 | - | - | - | EVEN TOUT |
| | PB14 | - | TIM1_C H2N | - | TIM8_CH2N | USART1_TX | SPI2_MISO | DFSDM1_DATIN2 | USART3_RTS | UART4_RTS | TIM12_C H1 | SDMMC2_D0 | - | OTG_HS_DM | - | - | EVEN TOUT |
| | PB15 | RTC_REFIN | TIM1_C H3N | - | TIM8_CH3N | USART1_RX | SPI2_MOSI/I2S2_SD | DFSDM1_CKIN2 | - | UART4_CTS | TIM12_C H2 | SDMMC2_D1 | - | OTG_HS_DP | - | - | EVEN TOUT |



Table 13. STM32F765xx, STM32F767xx, STM32F768Ax and STM32F769xx alternate function mapping (continued)

| Port | AF0 | AF1 | AF2 | AF3 | AF4 | AF5 | AF6 | AF7 | AF8 | AF9 | AF10 | AF11 | AF12 | AF13 | AF14 | AF15 | |
|--------|------|-------------------|----------|--------------------------------|-----------------------|--|--|---|------------------------------------|--|----------------------|--------------------------------|----------------------------|-------------|---------|------------|-----------|
| | SYS | I2C4/UART5/TIM1/2 | TIM3/4/5 | TIM8/9/10/11/LPTIM1/DFSDM1/CEC | I2C1/2/3/4/USART1/CEC | SPI1/I2S1/SPI2/I2S2/SPI3/I2S3/SPI6/I2C4/UART4/DFSDM1 | SPI2/I2S2/SPI3/I2S3/SPI6/USART1/2/3/UART5/DFSDM1/SPDIF | SPI6/SAI2/USART6/UART4/5/7/8/OTG_FS/SPDIF | CAN1/2/TIM12/13/14/QUADSPI/FMC/LCD | SAI2/QUADSPI/SDMMC2/DFSDM1/OTG_HS/TG2_HS/OTG1_FS/LCD | I2C4/CAN3/SDMMC2/ETH | UART7/FMC/SDMMC1/MDIOS/OTG2_FS | DCMI/LCD/DSI | LCD | SYS | | |
| Port C | PC0 | - | - | - | DFSDM1_CKIN0 | - | - | DFSDM1_DATIN4 | - | SAI2_FS_B | - | OTG_HS_ULPI_STP | - | FMC_SD_NWE | - | LCD_R5 | EVEN TOUT |
| | PC1 | TRACED0 | - | - | DFSDM1_DATAIN0 | - | SPI2_MOSI/I2S2_SD | SAI1_SA_A | - | - | - | DFSDM1_CKIN4 | ETH_MD_C | MDIOS_MDC | - | - | EVEN TOUT |
| | PC2 | - | - | - | DFSDM1_CKIN1 | - | SPI2_MISO | DFSDM1_CKOUT | - | - | - | OTG_HS_ULPI_DIR | ETH_MII_TXD2 | FMC_SD_NE0 | - | - | EVEN TOUT |
| | PC3 | - | - | - | DFSDM1_DATAIN1 | - | SPI2_MOSI/I2S2_SD | - | - | - | - | OTG_HS_ULPI_NXT | ETH_MII_TX_CLK | FMC_SD_CKE0 | - | - | EVEN TOUT |
| | PC4 | - | - | - | DFSDM1_CKIN2 | - | I2S1_MCK | - | - | SPDIF_RX2 | - | - | ETH_MII_RXD0/ETH_RMII_RXD0 | FMC_SD_NE0 | - | - | EVEN TOUT |
| | PC5 | - | - | - | DFSDM1_DATAIN2 | - | - | - | - | SPDIF_RX3 | - | - | ETH_MII_RXD1/ETH_RMII_RXD1 | FMC_SD_CKE0 | - | - | EVEN TOUT |
| | PC6 | - | - | TIM3_CH1 | TIM8_CH1 | - | I2S2_MCK | - | DFSDM1_CKIN3 | USART6_TX | FMC_NW_AIT | SDMMC2_D6 | - | SDMMC_D6 | DCMI_D0 | LCD_HS_YNC | EVEN TOUT |
| | PC7 | - | - | TIM3_CH2 | TIM8_CH2 | - | - | I2S3_MCK | DFSDM1_DATAIN3 | USART6_RX | FMC_NE1 | SDMMC2_D7 | - | SDMMC_D7 | DCMI_D1 | LCD_G6 | EVEN TOUT |
| | PC8 | TRACED1 | - | TIM3_CH3 | TIM8_CH3 | - | - | - | UART5_RTS | USART6_CK | FMC_NE2/FMC_NCE | - | - | SDMMC_D0 | DCMI_D2 | - | EVEN TOUT |
| | PC9 | MCO2 | - | TIM3_CH4 | TIM8_CH4 | I2C3_SDA | I2S_CK1N | - | UART5_CTS | - | QUADSPI_BK1_IO0 | LCD_G3 | - | SDMMC_D1 | DCMI_D3 | LCD_B2 | EVEN TOUT |
| | PC10 | - | - | - | DFSDM1_CKIN5 | - | - | SPI3_SCK/I2S3_CK | USART3_TX | UART4_TX | QUADSPI_BK1_IO1 | - | - | SDMMC_D2 | DCMI_D8 | LCD_R2 | EVEN TOUT |



Table 13. STM32F765xx, STM32F767xx, STM32F768Ax and STM32F769xx alternate function mapping (continued)

| Port | | AF0 | AF1 | AF2 | AF3 | AF4 | AF5 | AF6 | AF7 | AF8 | AF9 | AF10 | AF11 | AF12 | AF13 | AF14 | AF15 |
|--------|------|---------|-------------------|----------|--------------------------------|-----------------------|--|--|--|---|------------------------------------|--|----------------------|--------------------------------|--------------|--------|-----------|
| | | SYS | I2C4/UART5/TIM1/2 | TIM3/4/5 | TIM8/9/10/11/LPTIM1/DFSDM1/CEC | I2C1/2/3/4/USART1/CEC | SPI1/I2S1/SPI2/I2S2/SPI3/I2S3/SPI4/5/6 | SPI2/I2S2/SPI3/I2S3/SAI1/I2C4/UART4/DFSDM1 | SPI2/I2S2/SPI3/I2S3/SPI6/USART1/2/3/UART5/DFSDM1/SPDIF | SPI6/SAI2/USART6/UART4/5/7/8/OTG_FS/SPDIF | CAN1/2/TIM12/13/14/QUADSPI/FMC/LCD | SAI2/QUADSPI/SDMMC2/DFSDM1/OTG2_HS/OTG1_FS/LCD | I2C4/CAN3/SDMMC2/ETH | UART7/FMC/SDMMC1/MDIOS/OTG2_FS | DCMI/LCD/DSI | LCD | SYS |
| Port C | PC11 | - | - | - | DFSDM1_DATAIN5 | - | - | SPI3_MISO | USART3_RX | UART4_RX | QUADSPI_BK2_NCS | - | - | SDMMC_D3 | DCMI_D4 | - | EVEN TOUT |
| | PC12 | TRACED3 | - | - | - | - | - | SPI3_MOSI/I2S3_SD | USART3_CK | UART5_TX | - | - | - | SDMMC_CK | DCMI_D9 | - | EVEN TOUT |
| | PC13 | - | - | - | - | - | - | - | - | - | - | - | - | - | - | - | EVEN TOUT |
| | PC14 | - | - | - | - | - | - | - | - | - | - | - | - | - | - | - | EVEN TOUT |
| | PC15 | - | - | - | - | - | - | - | - | - | - | - | - | - | - | - | EVEN TOUT |
| Port D | PD0 | - | - | - | DFSDM1_CKIN6 | - | - | DFSDM1_DATAIN7 | - | UART4_RX | CAN1_RX | - | - | FMC_D2 | - | - | EVEN TOUT |
| | PD1 | - | - | - | DFSDM1_DATAIN6 | - | - | DFSDM1_CKIN7 | - | UART4_TX | CAN1_TX | - | - | FMC_D3 | - | - | EVEN TOUT |
| | PD2 | TRACED2 | - | TIM3_ETR | - | - | - | - | - | UART5_RX | - | - | - | SDMMC_CMD | DCMI_D11 | - | EVEN TOUT |
| | PD3 | - | - | - | DFSDM1_CKOUT | - | SPI2_SCK/I2S2_CK | DFSDM1_DATAIN0 | USART2_CTS | - | - | - | - | FMC_CLK | DCMI_D5 | LCD_G7 | EVEN TOUT |
| | PD4 | - | - | - | - | - | - | DFSDM1_CKIN0 | USART2_RTS | - | - | - | - | FMC_NOE | - | - | EVEN TOUT |
| | PD5 | - | - | - | - | - | - | - | USART2_TX | - | - | - | - | FMC_NWE | - | - | EVEN TOUT |
| | PD6 | - | - | - | DFSDM1_CKIN4 | - | SPI3_MOSI/I2S3_SD | SAI1_SDA | USART2_RX | - | - | DFSDM1_DATAIN1 | SDMMC2_CK | FMC_WAIT | DCMI_D10 | LCD_B2 | EVEN TOUT |
| | PD7 | - | - | - | DFSDM1_DATAIN4 | - | SPI1_MOSI/I2S1_SD | DFSDM1_CKIN1 | USART2_CK | SPDIF_RX0 | - | - | SDMMC2_CMD | FMC_NE1 | - | - | EVEN TOUT |



Table 13. STM32F765xx, STM32F767xx, STM32F768Ax and STM32F769xx alternate function mapping (continued)

| Port | | AF0 | AF1 | AF2 | AF3 | AF4 | AF5 | AF6 | AF7 | AF8 | AF9 | AF10 | AF11 | AF12 | AF13 | AF14 | AF15 |
|--------|------|----------|-------------------|----------|--------------------------------|-----------------------|--|--|--|---|------------------------------------|---|----------------------|--------------------------------|--------------|--------|-----------|
| | | SYS | I2C4/UART5/TIM1/2 | TIM3/4/5 | TIM8/9/10/11/LPTIM1/DFSDM1/CEC | I2C1/2/3/4/USART1/CEC | SPI1/I2S1/SPI2/I2S2/SPI3/I2S3/SPI4/5/6 | SPI2/I2S2/SPI3/I2S3/SAI1/I2C4/UART4/DFSDM1 | SPI2/I2S2/SPI3/I2S3/SPI6/USART1/2/3/UART5/DFSDM1/SPDIF | SPI6/SAI2/USART6/UART4/5/7/8/OTG_FS/SPDIF | CAN1/2/TIM12/13/14/QUADSPI/FMC/LCD | SAI2/QUADSPI/SDMMC2/DFSDM1/OTG_HS/OTG1_FS/LCD | I2C4/CAN3/SDMMC2/ETH | UART7/FMC/SDMMC1/MDIOS/OTG2_FS | DCMI/LCD/DSI | LCD | SYS |
| Port D | PD8 | - | - | - | DFSDM1_CKIN3 | - | - | - | USART3_TX | SPDIF_RX1 | - | - | - | FMC_D13 | - | - | EVEN TOUT |
| | PD9 | - | - | - | DFSDM1_DATAIN3 | - | - | - | USART3_RX | - | - | - | - | FMC_D14 | - | - | EVEN TOUT |
| | PD10 | - | - | - | DFSDM1_CKOUT | - | - | - | USART3_CK | - | - | - | - | FMC_D15 | - | LCD_B3 | EVEN TOUT |
| | PD11 | - | - | - | - | I2C4_SMB_A | - | - | USART3_CTS | - | QUADSPI_BK1_IO0 | SAI2_SD_A | - | FMC_A16/FMC_CLE | - | - | EVEN TOUT |
| | PD12 | - | - | TIM4_CH1 | LPTIM1_IN1 | I2C4_SCL | - | - | USART3_RTS | - | QUADSPI_BK1_IO1 | SAI2_FS_A | - | FMC_A17/FMC_ALE | - | - | EVEN TOUT |
| | PD13 | - | - | TIM4_CH2 | LPTIM1_OUT | I2C4_SDA | - | - | - | - | QUADSPI_BK1_IO3 | SAI2_SCK_A | - | FMC_A18 | - | - | EVEN TOUT |
| | PD14 | - | - | TIM4_CH3 | - | - | - | - | - | UART8_CTS | - | - | - | FMC_D0 | - | - | EVEN TOUT |
| | PD15 | - | - | TIM4_CH4 | - | - | - | - | - | UART8_RTS | - | - | - | FMC_D1 | - | - | EVEN TOUT |
| Port E | PE0 | - | - | TIM4_ETR | LPTIM1_ETR | - | - | - | - | UART8_Rx | - | SAI2_MCK_A | - | FMC_NBL0 | DCMI_D2 | - | EVEN TOUT |
| | PE1 | - | - | - | LPTIM1_IN2 | - | - | - | - | UART8_Tx | - | - | - | FMC_NBL1 | DCMI_D3 | - | EVEN TOUT |
| | PE2 | TRACECLK | - | - | - | - | SPI4_SCK | SAI1_MCLK_A | - | - | QUADSPI_BK1_IO2 | - | ETH_MII_TXD3 | FMC_A23 | - | - | EVEN TOUT |
| | PE3 | TRACED0 | - | - | - | - | - | SAI1_SDB | - | - | - | - | - | FMC_A19 | - | - | EVEN TOUT |



Table 13. STM32F765xx, STM32F767xx, STM32F768Ax and STM32F769xx alternate function mapping (continued)

| Port | AF0 | AF1 | AF2 | AF3 | AF4 | AF5 | AF6 | AF7 | AF8 | AF9 | AF10 | AF11 | AF12 | AF13 | AF14 | AF15 | |
|--------|------|-------------------|------------|--------------------------------|-----------------------|--|--|--|---|------------------------------------|--|----------------------|--------------------------------|--------------|---------|---------|-----------|
| | SYS | I2C4/UART5/TIM1/2 | TIM3/4/5 | TIM8/9/10/11/LPTIM1/DFSDM1/CEC | I2C1/2/3/4/USART1/CEC | SPI1/I2S1/SPI2/I2S2/SPI3/I2S3/SPI4/I2S4/SPI4/5/6 | SPI2/I2S2/SPI3/I2S3/SAI1/I2C4/UART4/DFSDM1 | SPI2/I2S2/SPI3/I2S3/SPI6/USART1/2/3/UART5/DFSDM1/SPDIF | SPI6/SAI2/USART6/UART4/5/7/8/OTG_FS/SPDIF | CAN1/2/TIM12/13/14/QUADSPI/FMC/LCD | SAI2/QUADSPI/SDMMC2/DFSDM1/OTG2_HS/OTG1_FS/LCD | I2C4/CAN3/SDMMC2/ETH | UART7/FMC/SDMMC1/MDIOS/OTG2_FS | DCMI/LCD/DSI | LCD | SYS | |
| Port E | PE4 | TRACED1 | - | - | - | - | SPI4_NS | SAI1_FS | - | - | - | DFSDM1_DATAIN3 | - | FMC_A20 | DCMI_D4 | LCD_B0 | EVEN TOUT |
| | PE5 | TRACED2 | - | - | TIM9_CH1 | - | SPI4_MI | SAI1_SC | - | - | - | DFSDM1_CKIN3 | - | FMC_A21 | DCMI_D6 | LCD_G0 | EVEN TOUT |
| | PE6 | TRACED3 | TIM1_BKIN2 | - | TIM9_CH2 | - | SPI4_M | SAI1_SD | - | - | - | SAI2_MC | - | FMC_A22 | DCMI_D7 | LCD_G1 | EVEN TOUT |
| | PE7 | - | TIM1_ETR | - | - | - | - | DFSDM1_DATAIN2 | - | UART7_Rx | - | QUADSPI_BK2_IO0 | - | FMC_D4 | - | - | EVEN TOUT |
| | PE8 | - | TIM1_CH1N | - | - | - | - | DFSDM1_CKIN2 | - | UART7_Tx | - | QUADSPI_BK2_IO1 | - | FMC_D5 | - | - | EVEN TOUT |
| | PE9 | - | TIM1_CH1 | - | - | - | - | DFSDM1_CKOUT | - | UART7_RTS | - | QUADSPI_BK2_IO2 | - | FMC_D6 | - | - | EVEN TOUT |
| | PE10 | - | TIM1_CH2N | - | - | - | - | DFSDM1_DATAIN4 | - | UART7_CTS | - | QUADSPI_BK2_IO3 | - | FMC_D7 | - | - | EVEN TOUT |
| | PE11 | - | TIM1_CH2 | - | - | - | SPI4_NS | DFSDM1_CKIN4 | - | - | - | SAI2_SD | - | FMC_D8 | - | LCD_G3 | EVEN TOUT |
| | PE12 | - | TIM1_CH3N | - | - | - | SPI4_SC | DFSDM1_DATAIN5 | - | - | - | SAI2_SC | - | FMC_D9 | - | LCD_B4 | EVEN TOUT |
| | PE13 | - | TIM1_CH3 | - | - | - | SPI4_MI | DFSDM1_CKIN5 | - | - | - | SAI2_FS | - | FMC_D10 | - | LCD_DE | EVEN TOUT |
| | PE14 | - | TIM1_CH4 | - | - | - | SPI4_M | - | - | - | - | SAI2_MC | - | FMC_D11 | - | LCD_CLK | EVEN TOUT |
| | PE15 | - | TIM1_BKIN | - | - | - | - | - | - | - | - | - | - | FMC_D12 | - | LCD_R7 | EVEN TOUT |



Table 13. STM32F765xx, STM32F767xx, STM32F768Ax and STM32F769xx alternate function mapping (continued)

| Port | AF0 | AF1 | AF2 | AF3 | AF4 | AF5 | AF6 | AF7 | AF8 | AF9 | AF10 | AF11 | AF12 | AF13 | AF14 | AF15 | |
|--------|------|-------------------|----------|--------------------------------|-----------------------|--|--|--|---|------------------------------------|---|----------------------|--------------------------------|--------------|----------|-----------|-----------|
| | SYS | I2C4/UART5/TIM1/2 | TIM3/4/5 | TIM8/9/10/11/LPTIM1/DFSDM1/CEC | I2C1/2/3/4/USART1/CEC | SPI1/I2S1/SPI2/I2S2/SPI3/I2S3/SPI4/5/6 | SPI2/I2S2/SPI3/I2S3/SAI1/I2C4/UART4/DFSDM1 | SPI2/I2S2/SPI3/I2S3/SPI6/USART1/2/3/UART5/DFSDM1/SPDIF | SPI6/SAI2/USART6/UART4/5/7/8/OTG_FS/SPDIF | CAN1/2/TIM12/13/14/QUADSPI/FMC/LCD | SAI2/QUADSPI/SDMMC2/DFSDM1/OTG_HS/OTG1_FS/LCD | I2C4/CAN3/SDMMC2/ETH | UART7/FMC/SDMMC1/MDIOS/OTG2_FS | DCMI/LCD/DSI | LCD | SYS | |
| Port F | PF0 | - | - | - | - | I2C2_SD_A | - | - | - | - | - | - | FMC_A0 | - | - | EVEN TOUT | |
| | PF1 | - | - | - | - | I2C2_SCL | - | - | - | - | - | - | FMC_A1 | - | - | EVEN TOUT | |
| | PF2 | - | - | - | - | I2C2_SMB_A | - | - | - | - | - | - | FMC_A2 | - | - | EVEN TOUT | |
| | PF3 | - | - | - | - | - | - | - | - | - | - | - | FMC_A3 | - | - | EVEN TOUT | |
| | PF4 | - | - | - | - | - | - | - | - | - | - | - | FMC_A4 | - | - | EVEN TOUT | |
| | PF5 | - | - | - | - | - | - | - | - | - | - | - | FMC_A5 | - | - | EVEN TOUT | |
| | PF6 | - | - | - | TIM10_CH1 | - | SPI5_NSS | SAI1_SDB | - | UART7_Rx | QUADSPI_BK1_IO3 | - | - | - | - | - | EVEN TOUT |
| | PF7 | - | - | - | TIM11_CH1 | - | SPI5_SCK | SAI1_MCLK_B | - | UART7_Tx | QUADSPI_BK1_IO2 | - | - | - | - | - | EVEN TOUT |
| | PF8 | - | - | - | - | - | SPI5_MISO | SAI1_SCK_B | - | UART7_RTS | TIM13_CH1 | QUADSPI_BK1_IO0 | - | - | - | - | EVEN TOUT |
| | PF9 | - | - | - | - | - | SPI5_MOSI | SAI1_FS_B | - | UART7_CTS | TIM14_CH1 | QUADSPI_BK1_IO1 | - | - | - | - | EVEN TOUT |
| | PF10 | - | - | - | - | - | - | - | - | - | QUADSPI_CLK | - | - | - | DCMI_D11 | LCD_DE | EVEN TOUT |
| | PF11 | - | - | - | - | - | SPI5_MOSI | - | - | - | - | SAI2_SDB | - | FMC_SDNRAS | DCMI_D12 | - | EVEN TOUT |



Table 13. STM32F765xx, STM32F767xx, STM32F768Ax and STM32F769xx alternate function mapping (continued)

| Port | | AF0 | AF1 | AF2 | AF3 | AF4 | AF5 | AF6 | AF7 | AF8 | AF9 | AF10 | AF11 | AF12 | AF13 | AF14 | AF15 |
|--------|------|-----|-------------------|----------|--------------------------------|-----------------------|--|--|--|---|------------------------------------|--|----------------------|--------------------------------|--------------|----------|-----------|
| | | SYS | I2C4/UART5/TIM1/2 | TIM3/4/5 | TIM8/9/10/11/LPTIM1/DFSDM1/CEC | I2C1/2/3/4/USART1/CEC | SPI1/I2S1/SPI2/I2S2/SPI3/I2S3/SPI4/5/6 | SPI2/I2S2/SPI3/I2S3/SAI1/I2C4/UART4/DFSDM1 | SPI2/I2S2/SPI3/I2S3/SPI6/USART1/2/3/UART5/DFSDM1/SPDIF | SPI6/SAI2/USART6/UART4/5/7/8/OTG_FS/SPDIF | CAN1/2/TIM12/13/14/QUADSPI/FMC/LCD | SAI2/QUADSPI/SDMMC2/DFSDM1/OTG2_HS/OTG1_FS/LCD | I2C4/CAN3/SDMMC2/ETH | UART7/FMC/SDMMC1/MDIOS/OTG2_FS | DCMI/LCD/DSI | LCD | SYS |
| Port F | PF12 | - | - | - | - | - | - | - | - | - | - | - | - | FMC_A6 | - | - | EVEN TOUT |
| | PF13 | - | - | - | - | I2C4_SMB | - | DFSDM1_DATAIN6 | - | - | - | - | - | FMC_A7 | - | - | EVEN TOUT |
| | PF14 | - | - | - | - | I2C4_SCL | - | DFSDM1_CKIN6 | - | - | - | - | - | FMC_A8 | - | - | EVEN TOUT |
| | PF15 | - | - | - | - | I2C4_SDA | - | - | - | - | - | - | - | FMC_A9 | - | - | EVEN TOUT |
| Port G | PG0 | - | - | - | - | - | - | - | - | - | - | - | - | FMC_A10 | - | - | EVEN TOUT |
| | PG1 | - | - | - | - | - | - | - | - | - | - | - | - | FMC_A11 | - | - | EVEN TOUT |
| | PG2 | - | - | - | - | - | - | - | - | - | - | - | - | FMC_A12 | - | - | EVEN TOUT |
| | PG3 | - | - | - | - | - | - | - | - | - | - | - | - | FMC_A13 | - | - | EVEN TOUT |
| | PG4 | - | - | - | - | - | - | - | - | - | - | - | - | FMC_A14/FMC_BA0 | - | - | EVEN TOUT |
| | PG5 | - | - | - | - | - | - | - | - | - | - | - | - | FMC_A15/FMC_BA1 | - | - | EVEN TOUT |
| | PG6 | - | - | - | - | - | - | - | - | - | - | - | - | FMC_NE3 | DCMI_D12 | LCD_R7 | EVEN TOUT |
| | PG7 | - | - | - | - | - | - | SAI1_MCLK_A | - | USART6_CK | - | - | - | - | FMC_INT | DCMI_D13 | LCD_CLK |



Table 13. STM32F765xx, STM32F767xx, STM32F768Ax and STM32F769xx alternate function mapping (continued)

| Port | | AF0 | AF1 | AF2 | AF3 | AF4 | AF5 | AF6 | AF7 | AF8 | AF9 | AF10 | AF11 | AF12 | AF13 | AF14 | AF15 |
|--------|------|---------|-------------------|----------|--------------------------------|-----------------------|--|--|--|---|------------------------------------|---|------------------------------|--------------------------------|--------------|--------|-----------|
| | | SYS | I2C4/UART5/TIM1/2 | TIM3/4/5 | TIM8/9/10/11/LPTIM1/DFSDM1/CEC | I2C1/2/3/4/USART1/CEC | SPI1/I2S1/SPI2/I2S2/SPI3/I2S3/SPI4/5/6 | SPI2/I2S2/SPI3/I2S3/SAI1/I2C4/UART4/DFSDM1 | SPI2/I2S2/SPI3/I2S3/SPI6/USART1/2/3/UART5/DFSDM1/SPDIF | SPI6/SAI2/USART6/UART4/5/7/8/OTG_FS/SPDIF | CAN1/2/TIM12/13/14/QUADSPI/FMC/LCD | SAI2/QUADSPI/SDMMC2/DFSDM1/OTG_HS/OTG1_FS/LCD | I2C4/CAN3/SDMMC2/ETH | UART7/FMC/SDMMC1/MDIOS/OTG2_FS | DCMI/LCD/DSI | LCD | SYS |
| Port G | PG8 | - | - | - | - | - | SPI6_NS | - | SPDIF_RX2 | USART6_RTS | - | - | ETH_PPS_OUT | FMC_SD_CLK | - | LCD_G7 | EVEN TOUT |
| | PG9 | - | - | - | - | - | SPI1_MISO | - | SPDIF_RX3 | USART6_RX | QUADSPI_BK2_IO2 | SAI2_FS_B | SDMMC2_D0 | FMC_NE2/FMC_NCE | DCMI_VSYNC | - | EVEN TOUT |
| | PG10 | - | - | - | - | - | SPI1_NSS1_WS | - | - | - | LCD_G3 | SAI2_SD_B | SDMMC2_D1 | FMC_NE3 | DCMI_D2 | LCD_B2 | EVEN TOUT |
| | PG11 | - | - | - | - | - | SPI1_SCK/I2S1_CLK | - | SPDIF_RX0 | - | - | SDMMC2_D2 | ETH_MII_TX_EN/ETH_RMII_TX_EN | - | DCMI_D3 | LCD_B3 | EVEN TOUT |
| | PG12 | - | - | - | LPTIM1_IN1 | - | SPI6_MISO | - | SPDIF_RX1 | USART6_RTS | LCD_B4 | - | SDMMC2_D3 | FMC_NE4 | - | LCD_B1 | EVEN TOUT |
| | PG13 | TRACED0 | - | - | LPTIM1_OUT | - | SPI6_SCK | - | - | USART6_CTS | - | - | ETH_MII_TXD0/ETH_RMII_TXD0 | FMC_A24 | - | LCD_R0 | EVEN TOUT |
| | PG14 | TRACED1 | - | - | LPTIM1_ETR | - | SPI6_MOSI | - | - | USART6_TX | QUADSPI_BK2_IO3 | - | ETH_MII_TXD1/ETH_RMII_TXD1 | FMC_A25 | - | LCD_B0 | EVEN TOUT |
| | PG15 | - | - | - | - | - | - | - | - | USART6_CTS | - | - | - | FMC_SDNCAS | DCMI_D13 | - | EVEN TOUT |



Table 13. STM32F765xx, STM32F767xx, STM32F768Ax and STM32F769xx alternate function mapping (continued)

| Port | AF0 | AF1 | AF2 | AF3 | AF4 | AF5 | AF6 | AF7 | AF8 | AF9 | AF10 | AF11 | AF12 | AF13 | AF14 | AF15 | | |
|--------|------|-------------------|----------|--------------------------------|-----------------------|--|--|--|---|------------------------------------|---|-------------------------|--------------------------------|----------------|----------------|--------|-----------|-----------|
| | SYS | I2C4/UART5/TIM1/2 | TIM3/4/5 | TIM8/9/10/11/LPTIM1/DFSDM1/CEC | I2C1/2/3/4/USART1/CEC | SPI1/I2S1/SPI2/I2S2/SPI3/I2S3/SPI4/5/6 | SPI2/I2S2/SPI3/I2S3/SAI1/I2C4/UART4/DFSDM1 | SPI2/I2S2/SPI3/I2S3/SPI6/USART1/2/3/UART5/DFSDM1/SPDIF | SPI6/SAI2/USART6/UART4/5/7/8/OTG_FS/SPDIF | CAN1/2/TIM12/13/14/QUADSPI/FMC/LCD | SAI2/QUADSPI/SDMMC2/DSDM1/OTG2_HS/OTG1_FS/LCD | I2C4/CAN3/SDMMC2/ETH | UART7/FMC/SDMMC1/MDIOS/OTG2_FS | DCMI/LCD/DSI | LCD | SYS | | |
| Port H | PH0 | - | - | - | - | - | - | - | - | - | - | - | - | - | - | - | EVEN TOUT | |
| | PH1 | - | - | - | - | - | - | - | - | - | - | - | - | - | - | - | - | EVEN TOUT |
| | PH2 | - | - | - | LPTIM1_I N2 | - | - | - | - | - | QUADSP I_BK2_IO 0 | SAI2_SC K_B | ETH_MII_ CRS | FMC_SD CKE0 | - | LCD_R0 | - | EVEN TOUT |
| | PH3 | - | - | - | - | - | - | - | - | - | QUADSP I_BK2_IO 1 | SAI2_MC K_B | ETH_MII_ COL | FMC_SD NE0 | - | LCD_R1 | - | EVEN TOUT |
| | PH4 | - | - | - | - | I2C2_SC L | - | - | - | - | LCD_G5 | OTG_HS_ ULPI_NX T | - | - | - | LCD_G4 | - | EVEN TOUT |
| | PH5 | - | - | - | - | I2C2_SD A | SPI5_NS S | - | - | - | - | - | - | FMC_SD NWE | - | - | - | EVEN TOUT |
| | PH6 | - | - | - | - | I2C2_SM BA | SPI5_SC K | - | - | - | TIM12_C H1 | - | ETH_MII_ RXD2 | FMC_SD NE1 | DCMI_D 8 | - | - | EVEN TOUT |
| | PH7 | - | - | - | - | I2C3_SC L | SPI5_MI SO | - | - | - | - | - | ETH_MII_ RXD3 | FMC_SD CKE1 | DCMI_D 9 | - | - | EVEN TOUT |
| | PH8 | - | - | - | - | I2C3_SD A | - | - | - | - | - | - | - | FMC_D1 6 | DCMI_H SYNC | LCD_R2 | - | EVEN TOUT |
| | PH9 | - | - | - | - | I2C3_SM BA | - | - | - | - | TIM12_C H2 | - | - | FMC_D1 7 | DCMI_D 0 | LCD_R3 | - | EVEN TOUT |
| | PH10 | - | - | TIM5_C H1 | - | I2C4_SM BA | - | - | - | - | - | - | - | FMC_D1 8 | DCMI_D 1 | LCD_R4 | - | EVEN TOUT |
| | PH11 | - | - | TIM5_C H2 | - | I2C4_SC L | - | - | - | - | - | - | - | FMC_D1 9 | DCMI_D 2 | LCD_R5 | - | EVEN TOUT |
| | PH12 | - | - | TIM5_C H3 | - | I2C4_SD A | - | - | - | - | - | - | - | FMC_D2 0 | DCMI_D 3 | LCD_R6 | - | EVEN TOUT |
| | PH13 | - | - | - | TIM8_CH 1N | - | - | - | - | - | UART4_T X | CAN1_T X | - | - | FMC_D2 1 | - | LCD_G2 | EVEN TOUT |



Table 13. STM32F765xx, STM32F767xx, STM32F768Ax and STM32F769xx alternate function mapping (continued)

| Port | | AF0 | AF1 | AF2 | AF3 | AF4 | AF5 | AF6 | AF7 | AF8 | AF9 | AF10 | AF11 | AF12 | AF13 | AF14 | AF15 | |
|--------|------|-----|-------------------|----------|--------------------------------|-----------------------|--|--|--|---|-------------------------------------|--|----------------------|---------------------------------|--------------|-----------|-----------|-----------|
| Port | | SYS | I2C4/UART5/TIM1/2 | TIM3/4/5 | TIM8/9/10/11/LPTIM1/DFSDM1/CEC | I2C1/2/3/4/USART1/CEC | SPI1/I2S1/SPI2/I2S2/SPI3/I2S3/SPI4/5/6 | SPI2/I2S2/SPI3/I2S3/SAI1/I2C4/UART4/DFSDM1 | SPI2/I2S2/SPI3/I2S3/SPI6/USART1/2/3/UART5/DFSDM1/SPDIF | SPI6/SAI2/USART6/UART4/5/7/8/OTG_FS/SPDIF | CAN1/2/TIM12/13/14/QUADSPI/FMCC/LCD | SAI2/QUADSPI/DMC2/DFSDM1/OTG2_HS/OTG1_FS/LCD | I2C4/CAN3/SDMMC2/ETH | UART7/FMCC/SDMMC1/MDIOS/OTG2_FS | DCMI/LCD/DSI | LCD | SYS | |
| Port H | PH14 | - | - | - | TIM8_CH2N | - | - | - | - | UART4_RX | CAN1_RX | - | - | FMC_D2_2 | DCMI_D4 | LCD_G3 | EVEN TOUT | |
| | PH15 | - | - | - | TIM8_CH3N | - | - | - | - | - | - | - | - | FMC_D2_3 | DCMI_D11 | LCD_G4 | EVEN TOUT | |
| Port I | PI0 | - | - | TIM5_CH4 | - | - | SPI2_NS/S/I2S2_WS | - | - | - | - | - | - | FMC_D2_4 | DCMI_D13 | LCD_G5 | EVEN TOUT | |
| | PI1 | - | - | - | TIM8_BK1N2 | - | SPI2_SCK/I2S2_CK | - | - | - | - | - | - | FMC_D2_5 | DCMI_D8 | LCD_G6 | EVEN TOUT | |
| | PI2 | - | - | - | TIM8_CH4 | - | SPI2_MISO | - | - | - | - | - | - | FMC_D2_6 | DCMI_D9 | LCD_G7 | EVEN TOUT | |
| | PI3 | - | - | - | TIM8_ETR | - | SPI2_MOSI/I2S2_SD | - | - | - | - | - | - | FMC_D2_7 | DCMI_D10 | - | EVEN TOUT | |
| | PI4 | - | - | - | TIM8_BK1N | - | - | - | - | - | - | SAI2_MCK_A | - | FMC_NBL2 | DCMI_D5 | LCD_B4 | EVEN TOUT | |
| | PI5 | - | - | - | TIM8_CH1 | - | - | - | - | - | - | SAI2_SCK_A | - | FMC_NBL3 | DCMI_VSYNC | LCD_B5 | EVEN TOUT | |
| | PI6 | - | - | - | TIM8_CH2 | - | - | - | - | - | - | SAI2_SDA | - | FMC_D2_8 | DCMI_D6 | LCD_B6 | EVEN TOUT | |
| | PI7 | - | - | - | TIM8_CH3 | - | - | - | - | - | - | SAI2_FSA | - | FMC_D2_9 | DCMI_D7 | LCD_B7 | EVEN TOUT | |
| | PI8 | - | - | - | - | - | - | - | - | - | - | - | - | - | - | - | - | EVEN TOUT |
| | PI9 | - | - | - | - | - | - | - | - | UART4_RX | CAN1_RX | - | - | FMC_D3_0 | - | LCD_VSYNC | EVEN TOUT | |
| | PI10 | - | - | - | - | - | - | - | - | - | - | - | ETH_MII_RX_ER | FMC_D3_1 | - | LCD_HSYNC | EVEN TOUT | |
| | PI11 | - | - | - | - | - | - | - | - | - | - | LCD_G6 | OTG_HS_ULPI_DIR | - | - | - | - | EVEN TOUT |



Table 13. STM32F765xx, STM32F767xx, STM32F768Ax and STM32F769xx alternate function mapping (continued)

| Port | | AF0 | AF1 | AF2 | AF3 | AF4 | AF5 | AF6 | AF7 | AF8 | AF9 | AF10 | AF11 | AF12 | AF13 | AF14 | AF15 |
|--------|------|-----|-------------------|----------|--------------------------------|-----------------------|--|--|--|---|------------------------------------|---|----------------------|--------------------------------|--------------|------------|-----------|
| | | SYS | I2C4/UART5/TIM1/2 | TIM3/4/5 | TIM8/9/10/11/LPTIM1/DFSDM1/CEC | I2C1/2/3/4/USART1/CEC | SPI1/I2S1/SPI2/I2S2/SPI3/I2S3/SPI4/5/6 | SPI2/I2S2/SPI3/I2S3/SAI1/I2C4/UART4/DFSDM1 | SPI2/I2S2/SPI3/I2S3/SPI6/USART1/2/3/UART5/DFSDM1/SPDIF | SPI6/SAI2/USART6/UART4/5/7/8/OTG_FS/SPDIF | CAN1/2/TIM12/13/14/QUADSPI/FMC/LCD | SAI2/QUADSPI/SDMMC2/DFSDM1/OTG_HS/OTG1_FS/LCD | I2C4/CAN3/SDMMC2/ETH | UART7/FMC/SDMMC1/MDIOS/OTG2_FS | DCMI/LCD/DSI | LCD | SYS |
| Port I | PI12 | - | - | - | - | - | - | - | - | - | - | - | - | - | - | LCD_HS YNC | EVEN TOUT |
| | PI13 | - | - | - | - | - | - | - | - | - | - | - | - | - | - | LCD_VS YNC | EVEN TOUT |
| | PI14 | - | - | - | - | - | - | - | - | - | - | - | - | - | - | LCD_CLK | EVEN TOUT |
| | PI15 | - | - | - | - | - | - | - | - | - | LCD_G2 | - | - | - | - | LCD_R0 | EVEN TOUT |
| Port J | PJ0 | - | - | - | - | - | - | - | - | - | LCD_R7 | - | - | - | - | LCD_R1 | EVEN TOUT |
| | PJ1 | - | - | - | - | - | - | - | - | - | - | - | - | - | - | LCD_R2 | EVEN TOUT |
| | PJ2 | - | - | - | - | - | - | - | - | - | - | - | - | DSI_TE | - | LCD_R3 | EVEN TOUT |
| | PJ3 | - | - | - | - | - | - | - | - | - | - | - | - | - | - | LCD_R4 | EVEN TOUT |
| | PJ4 | - | - | - | - | - | - | - | - | - | - | - | - | - | - | LCD_R5 | EVEN TOUT |
| | PJ5 | - | - | - | - | - | - | - | - | - | - | - | - | - | - | LCD_R6 | EVEN TOUT |
| | PJ6 | - | - | - | - | - | - | - | - | - | - | - | - | - | - | LCD_R7 | EVEN TOUT |
| | PJ7 | - | - | - | - | - | - | - | - | - | - | - | - | - | - | LCD_G0 | EVEN TOUT |
| | PJ8 | - | - | - | - | - | - | - | - | - | - | - | - | - | - | LCD_G1 | EVEN TOUT |
| | PJ9 | - | - | - | - | - | - | - | - | - | - | - | - | - | - | LCD_G2 | EVEN TOUT |
| | PJ10 | - | - | - | - | - | - | - | - | - | - | - | - | - | - | LCD_G3 | EVEN TOUT |



Table 13. STM32F765xx, STM32F767xx, STM32F768Ax and STM32F769xx alternate function mapping (continued)

| Port | | AF0 | AF1 | AF2 | AF3 | AF4 | AF5 | AF6 | AF7 | AF8 | AF9 | AF10 | AF11 | AF12 | AF13 | AF14 | AF15 |
|--------|------|-----|-------------------|----------|--------------------------------|-----------------------|--|--|--|---|------------------------------------|---|----------------------|--------------------------------|--------------|--------|-----------|
| | | SYS | I2C4/UART5/TIM1/2 | TIM3/4/5 | TIM8/9/10/11/LPTIM1/DFSDM1/CEC | I2C1/2/3/4/USART1/CEC | SPI1/I2S1/SPI2/I2S2/SPI3/I2S3/SPI4/5/6 | SPI2/I2S2/SPI3/I2S3/SAI1/I2C4/UART4/DFSDM1 | SPI2/I2S2/SPI3/I2S3/SPI6/USART1/2/3/UART2/3/DFSDM1/SPDIF | SPI6/SAI2/USART6/UART4/5/7/8/OTG_FS/SPDIF | CAN1/2/TIM12/13/14/QUADSPI/FMC/LCD | SAI2/QUADSPI/SDMMC2/DFSDM1/OTG_HS/OTG1_FS/LCD | I2C4/CAN3/SDMMC2/ETH | UART7/FMC/SDMMC1/MDIOS/OTG2_FS | DCMI/LCD/DSI | LCD | SYS |
| Port J | PJ11 | - | - | - | - | - | - | - | - | - | - | - | - | - | - | LCD_G4 | EVEN TOUT |
| | PJ12 | - | - | - | - | - | - | - | - | - | LCD_G3 | - | - | - | - | LCD_B0 | EVEN TOUT |
| | PJ13 | - | - | - | - | - | - | - | - | - | LCD_G4 | - | - | - | - | LCD_B1 | EVEN TOUT |
| | PJ14 | - | - | - | - | - | - | - | - | - | - | - | - | - | - | LCD_B2 | EVEN TOUT |
| | PJ15 | - | - | - | - | - | - | - | - | - | - | - | - | - | - | LCD_B3 | EVEN TOUT |
| Port K | PK0 | - | - | - | - | - | - | - | - | - | - | - | - | - | - | LCD_G5 | EVEN TOUT |
| | PK1 | - | - | - | - | - | - | - | - | - | - | - | - | - | - | LCD_G6 | EVEN TOUT |
| | PK2 | - | - | - | - | - | - | - | - | - | - | - | - | - | - | LCD_G7 | EVEN TOUT |
| | PK3 | - | - | - | - | - | - | - | - | - | - | - | - | - | - | LCD_B4 | EVEN TOUT |
| | PK4 | - | - | - | - | - | - | - | - | - | - | - | - | - | - | LCD_B5 | EVEN TOUT |
| | PK5 | - | - | - | - | - | - | - | - | - | - | - | - | - | - | LCD_B6 | EVEN TOUT |
| | PK6 | - | - | - | - | - | - | - | - | - | - | - | - | - | - | LCD_B7 | EVEN TOUT |
| | PK7 | - | - | - | - | - | - | - | - | - | - | - | - | - | - | LCD_DE | EVEN TOUT |

5 Memory mapping

Refer to the product line reference manual for details on the memory mapping as well as the boundary addresses for all peripherals.

6 Electrical characteristics

6.1 Parameter conditions

Unless otherwise specified, all voltages are referenced to V_{SS} .

6.1.1 Minimum and maximum values

Unless otherwise specified the minimum and maximum values are guaranteed in the worst conditions of ambient temperature, supply voltage and frequencies by tests in production on 100% of the devices with an ambient temperature at $T_A = 25\text{ °C}$ and $T_A = T_{Amax}$ (given by the selected temperature range).

Data based on characterization results, design simulation and/or technology characteristics are indicated in the table footnotes. Based on characterization, the minimum and maximum values refer to sample tests and represent the mean value plus or minus three times the standard deviation ($\text{mean} \pm 3\sigma$).

6.1.2 Typical values

Unless otherwise specified, typical data are based on $T_A = 25\text{ °C}$, $V_{DD} = 3.3\text{ V}$ (for the $1.7\text{ V} \leq V_{DD} \leq 3.6\text{ V}$ voltage range). They are given only as design guidelines and are not tested.

Typical ADC accuracy values are determined by characterization of a batch of samples from a standard diffusion lot over the full temperature range, where 95% of the devices have an error less than or equal to the value indicated ($\text{mean} \pm 2\sigma$).

6.1.3 Typical curves

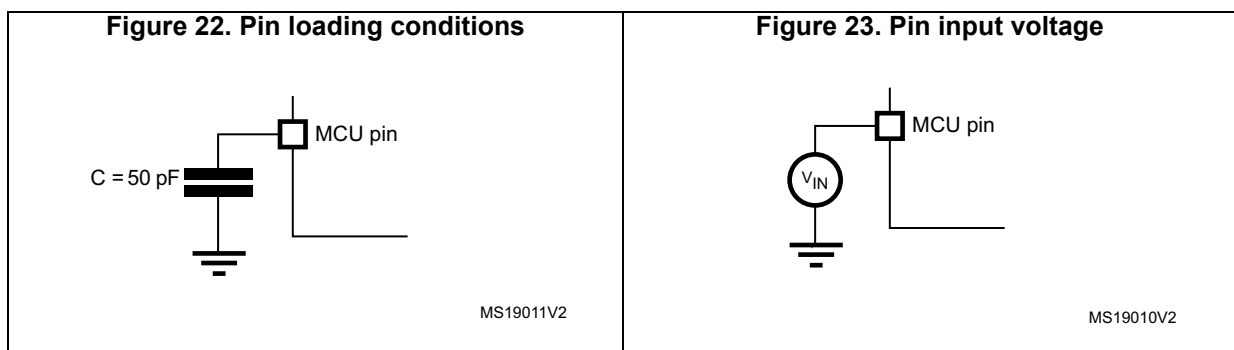
Unless otherwise specified, all typical curves are given only as design guidelines and are not tested.

6.1.4 Loading capacitor

The loading conditions used for pin parameter measurement are shown in [Figure 22](#).

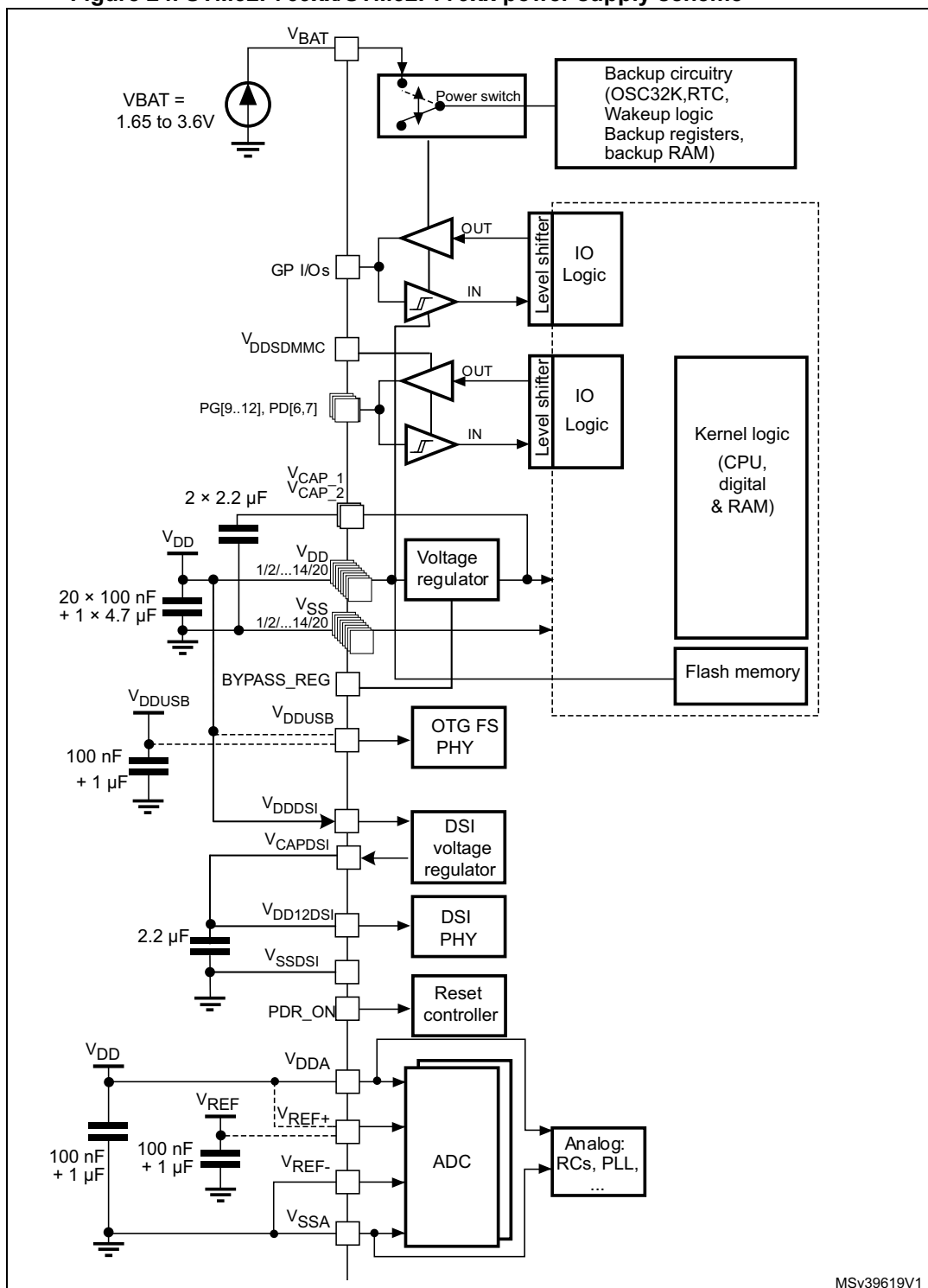
6.1.5 Pin input voltage

The input voltage measurement on a pin of the device is described in [Figure 23](#).



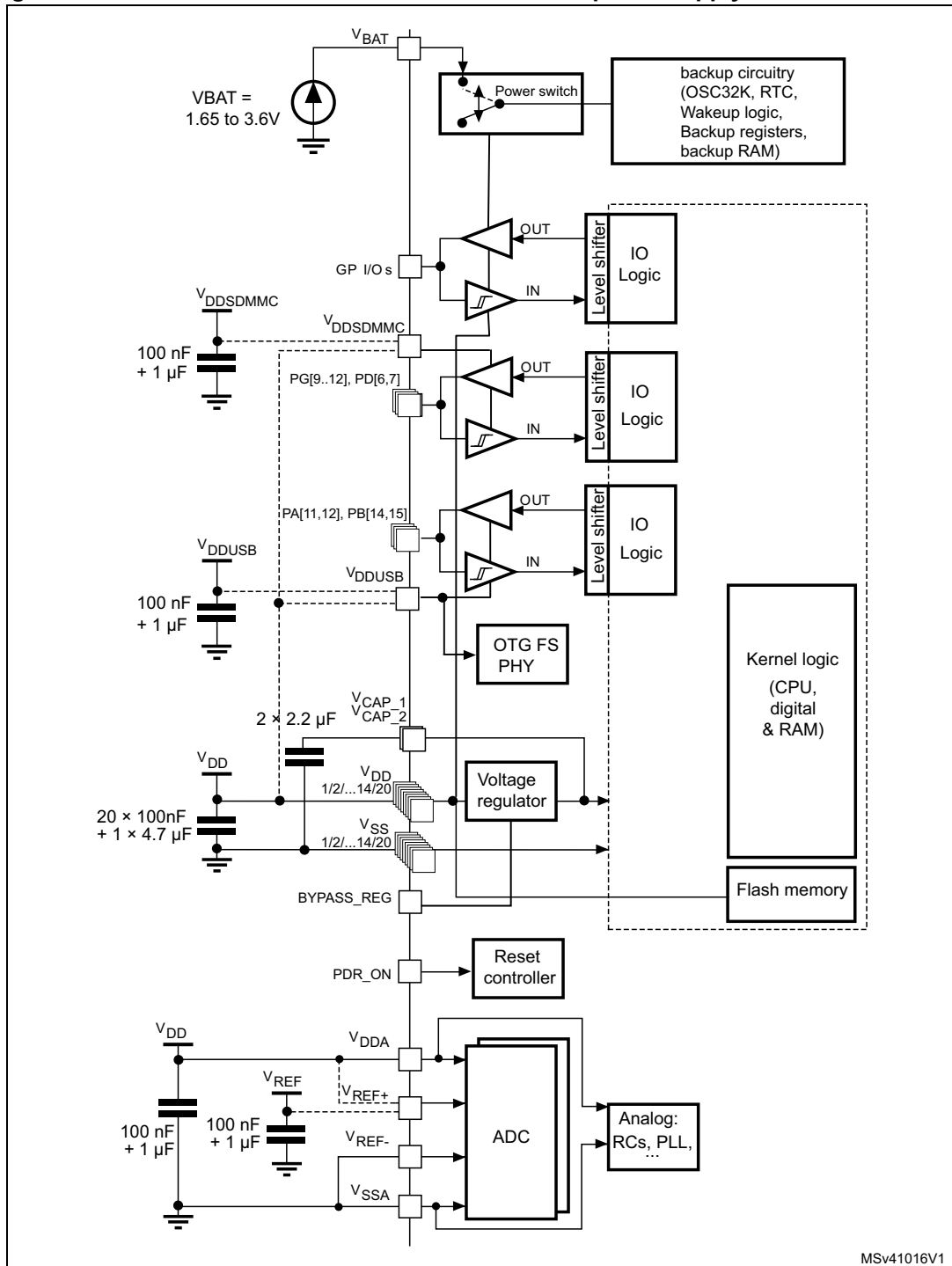
6.1.6 Power supply scheme

Figure 24. STM32F769xx/STM32F779xx power supply scheme



MSv39619V1

Figure 25. STM32F765xx/STM32F767xx/STM32F777xx power supply scheme

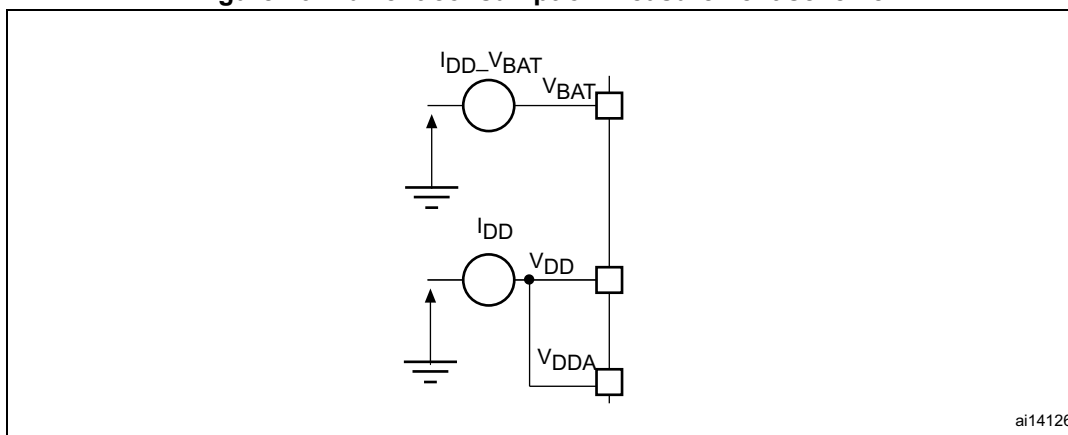


1. To connect BYPASS_REG and PDR_ON pins, refer to [Section 3.18: Power supply supervisor](#) and [Section 3.19: Voltage regulator](#).
2. The two 2.2 µF ceramic capacitors should be replaced by two 100 nF decoupling capacitors when the voltage regulator is OFF.
3. The 4.7 µF ceramic capacitor must be connected to one of the V_{DD} pin.
4. V_{DDA}=V_{DD} and V_{SSA}=V_{SS}.

Caution: Each power supply pair (V_{DD}/V_{SS} , V_{DDA}/V_{SSA} ...) must be decoupled with filtering ceramic capacitors as shown above. These capacitors must be placed as close as possible to, or below, the appropriate pins on the underside of the PCB to ensure good operation of the device. It is not recommended to remove filtering capacitors to reduce PCB size or cost. This might cause incorrect operation of the device.

6.1.7 Current consumption measurement

Figure 26. Current consumption measurement scheme



6.2 Absolute maximum ratings

Stresses above the absolute maximum ratings listed in [Table 14: Voltage characteristics](#), [Table 15: Current characteristics](#), and [Table 16: Thermal characteristics](#) may cause permanent damage to the device. These are stress ratings only and the functional operation of the device at these conditions is not implied. Exposure to maximum rating conditions for extended periods may affect device reliability. The device mission profile (application conditions) is compliant with JEDEC JESD47 Qualification Standard. Extended mission profiles are available on demand.

Table 14. Voltage characteristics

| Symbol | Ratings | Min | Max | Unit |
|----------------------|---|---|----------------|------|
| V_{DD-VSS} | External main supply voltage (including V_{DDA} , V_{DD} , V_{BAT} , V_{DDUSB} , V_{DDSI} ⁽¹⁾ and $V_{DDSDMMC}$) ⁽²⁾ | - 0.3 | 4.0 | V |
| V_{IN} | Input voltage on FT pins ⁽³⁾ | $V_{SS} - 0.3$ | $V_{DD} + 4.0$ | |
| | Input voltage on TTa pins | $V_{SS} - 0.3$ | 4.0 | |
| | Input voltage on any other pin | $V_{SS} - 0.3$ | 4.0 | |
| | Input voltage on BOOT pin | V_{SS} | 9.0 | |
| $ \Delta V_{DDx} $ | Variations between different V_{DD} power pins | - | 50 | mV |
| $ V_{SSx} - V_{SS} $ | Variations between all the different ground pins ⁽⁴⁾ | - | 50 | |
| $V_{ESD(HBM)}$ | Electrostatic discharge voltage (human body model) | see Section 6.3.18: Absolute maximum ratings (electrical sensitivity) | | - |

1. Applicable only for STM32F7x9 sales types.
2. All main power (V_{DD} , V_{DDA} , $V_{DDSDMMC}$, V_{DDUSB} , V_{DDDSI}) and ground (V_{SS} , V_{SSA}) pins must always be connected to the external power supply, in the permitted range.
3. V_{IN} maximum value must always be respected. Refer to [Table 15](#) for the values of the maximum allowed injected current.
4. Include V_{REF} pin.

Table 15. Current characteristics

| Symbol | Ratings | Max. | Unit |
|--------------------------------------|---|-------|------|
| ΣI_{VDD} | Total current into sum of all V_{DD_x} power lines (source) ⁽¹⁾ | 420 | mA |
| ΣI_{VSS} | Total current out of sum of all V_{SS_x} ground lines (sink) ⁽¹⁾ | -420 | |
| ΣI_{VDDUSB} | Total current into V_{DDUSB} power line (source) | 25 | |
| $\Sigma I_{VDDSDMMC}$ | Total current into $V_{DDSDMMC}$ power line (source) | 60 | |
| I_{VDD} | Maximum current into each V_{DD_x} power line (source) ⁽¹⁾ | 100 | |
| $I_{VDDSDMMC}$ | Maximum current into $V_{DDSDMMC}$ power line (source): PG[12:9], PD[7:6] | 100 | |
| I_{VSS} | Maximum current out of each V_{SS_x} ground line (sink) ⁽¹⁾ | -100 | |
| I_{IO} | Output current sunk by any I/O and control pin | 25 | |
| | Output current sourced by any I/Os and control pin | -25 | |
| ΣI_{IO} | Total output current sunk by sum of all I/O and control pins ⁽²⁾ | 120 | |
| | Total output current sunk by sum of all USB I/Os | 25 | |
| | Total output current sunk by sum of all SDMMC I/Os | 120 | |
| | Total output current sourced by sum of all I/Os and control pins except USB I/Os ⁽²⁾ | -120 | |
| $I_{INJ(PIN)}$ | Injected current on FT, FTf, RST and B pins ⁽³⁾ | -5/+0 | |
| | Injected current on TTa pins ⁽⁴⁾ | ±5 | |
| $\Sigma I_{INJ(PIN)}$ ⁽⁴⁾ | Total injected current (sum of all I/O and control pins) ⁽⁵⁾ | ±25 | |

1. All main power (V_{DD} , V_{DDA}) and ground (V_{SS} , V_{SSA}) pins must always be connected to the external power supply, in the permitted range.
2. This current consumption must be correctly distributed over all I/Os and control pins. The total output current must not be sunk/sourced between two consecutive power supply pins referring to high pin count LQFP packages.
3. Positive injection is not possible on these I/Os and does not occur for input voltages lower than the specified maximum value.
4. A positive injection is induced by $V_{IN} > V_{DDA}$ while a negative injection is induced by $V_{IN} < V_{SS}$. $I_{INJ(PIN)}$ must never be exceeded. Refer to [Table 14: Voltage characteristics](#) for the values of the maximum allowed input voltage.
5. When several inputs are submitted to a current injection, the maximum $\Sigma I_{INJ(PIN)}$ is the absolute sum of the positive and negative injected currents (instantaneous values).

Table 16. Thermal characteristics

| Symbol | Ratings | Value | Unit |
|-----------|------------------------------|--------------|------|
| T_{STG} | Storage temperature range | - 65 to +150 | °C |
| T_J | Maximum junction temperature | 125 | |

6.3 Operating conditions

6.3.1 General operating conditions

Table 17. General operating conditions

| Symbol | Parameter | Conditions ⁽¹⁾ | Min | Typ | Max | Unit | |
|------------------------------------|---|---|--------------------|-----|-----|------|-----|
| f _{HCLK} | Internal AHB clock frequency | Power Scale 3 (VOS[1:0] bits in PWR_CR register = 0x01), Regulator ON, over-drive OFF | 0 | - | 144 | MHz | |
| | | Power Scale 2 (VOS[1:0] bits in PWR_CR register = 0x10), Regulator ON | Over-drive OFF | 0 | - | | 168 |
| | | | Over-drive ON | | - | | 180 |
| | | Power Scale 1 (VOS[1:0] bits in PWR_CR register= 0x11), Regulator ON | Over-drive OFF | 0 | - | | 180 |
| Over-drive ON | - | | 216 ⁽²⁾ | | | | |
| f _{PCLK1} | Internal APB1 clock frequency | Over-drive OFF | 0 | - | 45 | | |
| | | Over-drive ON | 0 | - | 54 | | |
| f _{PCLK2} | Internal APB2 clock frequency | Over-drive OFF | 0 | - | 90 | | |
| | | Over-drive ON | 0 | - | 108 | | |
| V _{DD} | Standard operating voltage | - | 1.7 ⁽³⁾ | - | 3.6 | V | |
| V _{DDA} ⁽⁴⁾⁽⁵⁾ | Analog operating voltage (ADC limited to 1.2 M samples) | Must be the same potential as V _{DD} ⁽⁶⁾ | 1.7 ⁽³⁾ | - | 2.4 | | |
| | Analog operating voltage (ADC limited to 2.4 M samples) | | 2.4 | - | 3.6 | | |
| V _{DDUSB} | USB supply voltage (supply voltage for PA11,PA12, PB14 and PB15 pins) | USB not used | 1.7 | 3.3 | 3.6 | | |
| | | USB used | 3.0 | - | 3.6 | | |
| V _{BAT} | Backup operating voltage | - | 1.65 | - | 3.6 | | |
| V _{DDSDMMC} | SDMMC2 supply voltage (supply voltage for PG[12:9] and PD6 pins) | It can be different from VDD | - | 1.7 | - | | 3.6 |
| V _{DDDSI} | DSI system operating | - | 1.7 | - | 3.6 | | |

Table 17. General operating conditions (continued)

| Symbol | Parameter | Conditions ⁽¹⁾ | Min | Typ | Max | Unit |
|-----------------|--|---|-------|------|--------------------------|------|
| V ₁₂ | Regulator ON: 1.2 V internal voltage on V _{CAP_1} /V _{CAP_2} pins | Power Scale 3 ((VOS[1:0] bits in PWR_CR register = 0x01), 144 MHz HCLK max frequency) | 1.08 | 1.14 | 1.20 | V |
| | | Power Scale 2 ((VOS[1:0] bits in PWR_CR register = 0x10), 168 MHz HCLK max frequency with over-drive OFF or 180 MHz with over-drive ON) | 1.20 | 1.26 | 1.32 | |
| | | Power Scale 1 ((VOS[1:0] bits in PWR_CR register = 0x11), 180 MHz HCLK max frequency with over-drive OFF or 216 MHz with over-drive ON) | 1.26 | 1.32 | 1.40 | |
| | Regulator OFF: 1.2 V external voltage must be supplied from external regulator on V _{CAP_1} /V _{CAP_2} pins ⁽⁷⁾ | Max frequency 144 MHz | 1.10 | 1.14 | 1.20 | |
| | | Max frequency 168MHz | 1.20 | 1.26 | 1.32 | |
| | | Max frequency 180 MHz | 1.26 | 1.32 | 1.38 | |
| V _{IN} | Input voltage on RST and FT pins ⁽⁸⁾ | 2 V ≤ V _{DD} ≤ 3.6 V | - 0.3 | - | 5.5 | |
| | | V _{DD} ≤ 2 V | - 0.3 | - | 5.2 | |
| | Input voltage on TTa pins | - | - 0.3 | - | V _{DDA+} 0.3 | |
| | Input voltage on BOOT pin | - | 0 | - | 9 | |
| P _D | Power dissipation at T _A = 85 °C for suffix 6 or T _A = 105 °C for suffix 7 ⁽⁹⁾ | LQFP100 | - | - | 465 | mW |
| | | WLCSP180 | - | - | 641 | |
| | | LQFP144 | - | - | 500 | |
| | | LQFP176 | - | - | 526 | |
| | | UFBGA176 | - | - | 513 | |
| | | LQFP208 | - | - | 1053 | |
| | | TFBGA216 | - | - | 690 | |
| | | TFBGA100 | - | - | 552 | |
| T _A | Ambient temperature for 6 suffix version | Maximum power dissipation | - 40 | - | 85 | °C |
| | | Low power dissipation ⁽¹⁰⁾ | - 40 | - | 105 | |
| | Ambient temperature for 7 suffix version | Maximum power dissipation | - 40 | - | 105 | °C |
| | | Low power dissipation ⁽¹⁰⁾ | - 40 | - | 125 | |
| T _J | Junction temperature range | 6 suffix version | - 40 | - | 105 | °C |
| | | 7 suffix version | - 40 | - | 125 | |

1. The over-drive mode is not supported at the voltage ranges from 1.7 to 2.1 V.
2. 216 MHz maximum frequency for 6 suffix version (200 MHz maximum frequency for 7 suffix version).
3. V_{DD}/V_{DDA} minimum value of 1.7 V is obtained with the use of an external power supply supervisor (refer to [Section 3.18.2: Internal reset OFF](#)).
4. When the ADC is used, refer to [Table 71: ADC characteristics](#).
5. If V_{REF+} pin is present, it must respect the following condition: V_{DDA}-V_{REF+} < 1.2 V.

6. It is recommended to power V_{DD} and V_{DDA} from the same source. A maximum difference of 300 mV between V_{DD} and V_{DDA} can be tolerated during power-up and power-down operation.
7. The over-drive mode is not supported when the internal regulator is OFF.
8. To sustain a voltage higher than $V_{DD}+0.3$, the internal Pull-up and Pull-Down resistors must be disabled
9. If T_A is lower, higher P_D values are allowed as long as T_J does not exceed T_{Jmax} .
10. In low power dissipation state, T_A can be extended to this range as long as T_J does not exceed T_{Jmax} .

Table 18. Limitations depending on the operating power supply range

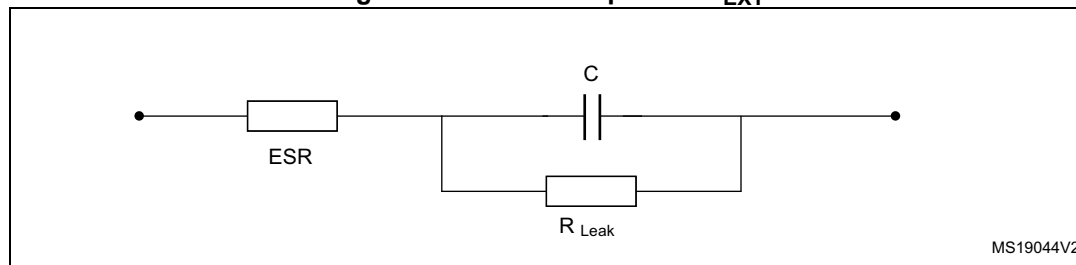
| Operating power supply range | ADC operation | Maximum Flash memory access frequency with no wait states ($f_{Flashmax}$) | Maximum HCLK frequency vs Flash memory wait states (1)(2) | I/O operation | Possible Flash memory operations |
|--|--------------------------------|--|---|------------------------|---|
| $V_{DD} = 1.7$ to 2.1 V ⁽³⁾ | Conversion time up to 1.2 Msps | 20 MHz | 180 MHz with 8 wait states and over-drive OFF | No I/O compensation | 8-bit erase and program operations only |
| $V_{DD} = 2.1$ to 2.4 V | Conversion time up to 1.2 Msps | 22 MHz | 216 MHz with 9 wait states and over-drive ON | No I/O compensation | 16-bit erase and program operations |
| $V_{DD} = 2.4$ to 2.7 V | Conversion time up to 2.4 Msps | 24 MHz | 216 MHz with 8 wait states and over-drive ON | I/O compensation works | 16-bit erase and program operations |
| $V_{DD} = 2.7$ to 3.6 V ⁽⁴⁾ | Conversion time up to 2.4 Msps | 30 MHz | 216 MHz with 6 wait states and over-drive ON | I/O compensation works | 32-bit erase and program operations |

1. Applicable only when the code is executed from Flash memory. When the code is executed from RAM, no wait state is required.
2. Thanks to the ART accelerator on ITCM interface and L1-cache on AXI interface, the number of wait states given here does not impact the execution speed from Flash memory since the ART accelerator or L1-cache allows to achieve a performance equivalent to 0-wait state program execution.
3. V_{DD}/V_{DDA} minimum value of 1.7 V is obtained with the use of an external power supply supervisor (refer to [Section 3.18.2: Internal reset OFF](#)).
4. The voltage range for USB full speed PHYs can drop down to 2.7 V. However the electrical characteristics of D- and D+ pins are degraded between 2.7 and 3 V.

6.3.2 VCAP1/VCAP2 external capacitor

Stabilization for the main regulator is achieved by connecting an external capacitor C_{EXT} to the VCAP1/VCAP2 pins. C_{EXT} is specified in [Table 19](#).

Figure 27. External capacitor C_{EXT}



1. Legend: ESR is the equivalent series resistance.

Table 19. VCAP1/VCAP2 operating conditions⁽¹⁾

| Symbol | Parameter | Conditions |
|--------|-----------------------------------|--------------|
| CEXT | Capacitance of external capacitor | 2.2 μ F |
| ESR | ESR of external capacitor | < 2 Ω |

1. When bypassing the voltage regulator, the two 2.2 μ F V_{CAP} capacitors are not required and should be replaced by two 100 nF decoupling capacitors.

6.3.3 Operating conditions at power-up / power-down (regulator ON)

Subject to general operating conditions for T_A .

Table 20. Operating conditions at power-up / power-down (regulator ON)

| Symbol | Parameter | Min | Max | Unit |
|-----------|-------------------------|-----|----------|-----------|
| t_{VDD} | V_{DD} rise time rate | 20 | ∞ | μ s/V |
| | V_{DD} fall time rate | 20 | ∞ | |

6.3.4 Operating conditions at power-up / power-down (regulator OFF)

Subject to general operating conditions for T_A .

Table 21. Operating conditions at power-up / power-down (regulator OFF)⁽¹⁾

| Symbol | Parameter | Conditions | Min | Max | Unit |
|------------|--|------------|-----|----------|-----------|
| t_{VDD} | V_{DD} rise time rate | Power-up | 20 | ∞ | μ s/V |
| | V_{DD} fall time rate | Power-down | 20 | ∞ | |
| t_{VCAP} | V_{CAP_1} and V_{CAP_2} rise time rate | Power-up | 20 | ∞ | |
| | V_{CAP_1} and V_{CAP_2} fall time rate | Power-down | 20 | ∞ | |

1. To reset the internal logic at power-down, a reset must be applied on pin PA0 when V_{DD} reach below 1.08 V.

6.3.5 Reset and power control block characteristics

The parameters given in [Table 22](#) are derived from tests performed under ambient temperature and V_{DD} supply voltage conditions summarized in [Table 17](#).

Table 22. Reset and power control block characteristics

| Symbol | Parameter | Conditions | Min | Typ | Max | Unit |
|-----------------------------|---|---|------|------|------|---------------|
| V_{PVD} | Programmable voltage detector level selection | PLS[2:0]=000 (rising edge) | 2.09 | 2.14 | 2.19 | V |
| | | PLS[2:0]=000 (falling edge) | 1.98 | 2.04 | 2.08 | V |
| | | PLS[2:0]=001 (rising edge) | 2.23 | 2.30 | 2.37 | V |
| | | PLS[2:0]=001 (falling edge) | 2.13 | 2.19 | 2.25 | V |
| | | PLS[2:0]=010 (rising edge) | 2.39 | 2.45 | 2.51 | V |
| | | PLS[2:0]=010 (falling edge) | 2.29 | 2.35 | 2.39 | V |
| | | PLS[2:0]=011 (rising edge) | 2.54 | 2.60 | 2.65 | V |
| | | PLS[2:0]=011 (falling edge) | 2.44 | 2.51 | 2.56 | V |
| | | PLS[2:0]=100 (rising edge) | 2.70 | 2.76 | 2.82 | V |
| | | PLS[2:0]=100 (falling edge) | 2.59 | 2.66 | 2.71 | V |
| | | PLS[2:0]=101 (rising edge) | 2.86 | 2.93 | 2.99 | V |
| | | PLS[2:0]=101 (falling edge) | 2.65 | 2.84 | 2.92 | V |
| | | PLS[2:0]=110 (rising edge) | 2.96 | 3.03 | 3.10 | V |
| | | PLS[2:0]=110 (falling edge) | 2.85 | 2.93 | 2.99 | V |
| | | PLS[2:0]=111 (rising edge) | 3.07 | 3.14 | 3.21 | V |
| PLS[2:0]=111 (falling edge) | 2.95 | 3.03 | 3.09 | V | | |
| $V_{PVDhyst}^{(1)}$ | PVD hysteresis | - | - | 100 | - | mV |
| $V_{POR/PDR}$ | Power-on/power-down reset threshold | Falling edge | 1.60 | 1.68 | 1.76 | V |
| | | Rising edge | 1.64 | 1.72 | 1.80 | V |
| $V_{PDRhyst}^{(1)}$ | PDR hysteresis | - | - | 40 | - | mV |
| V_{BOR1} | Brownout level 1 threshold | Falling edge | 2.13 | 2.19 | 2.24 | V |
| | | Rising edge | 2.23 | 2.29 | 2.33 | V |
| V_{BOR2} | Brownout level 2 threshold | Falling edge | 2.44 | 2.50 | 2.56 | V |
| | | Rising edge | 2.53 | 2.59 | 2.63 | V |
| V_{BOR3} | Brownout level 3 threshold | Falling edge | 2.75 | 2.83 | 2.88 | V |
| | | Rising edge | 2.85 | 2.92 | 2.97 | V |
| $V_{BORhyst}^{(1)}$ | BOR hysteresis | - | - | 100 | - | mV |
| $T_{RSTTEMPPO}^{(1)(2)}$ | POR reset temporization | - | 0.5 | 1.5 | 3.0 | ms |
| $I_{RUSH}^{(1)}$ | InRush current on voltage regulator power-on (POR or wakeup from Standby) | - | - | 160 | 250 | mA |
| $E_{RUSH}^{(1)}$ | InRush energy on voltage regulator power-on (POR or wakeup from Standby) | $V_{DD} = 1.7\text{ V}$, $T_A = 105\text{ °C}$, $I_{RUSH} = 171\text{ mA}$ for $31\text{ }\mu\text{s}$ | - | - | 5.4 | μC |

1. Guaranteed by design.
2. The reset temporization is measured from the power-on (POR reset or wakeup from V_{BAT}) to the instant when first instruction is read by the user application code.

6.3.6 Over-drive switching characteristics

When the over-drive mode switches from enabled to disabled or disabled to enabled, the system clock is stalled during the internal voltage set-up.

The over-drive switching characteristics are given in [Table 23](#). They are subject to general operating conditions for T_A.

Table 23. Over-drive switching characteristics⁽¹⁾

| Symbol | Parameter | Conditions | Min | Typ | Max | Unit |
|-----------|--------------------------------|---------------------------------------|-----|-----|-----|------|
| Tod_swen | Over_drive switch enable time | HSI | - | 45 | - | μs |
| | | HSE max for 4 MHz and min for 26 MHz | 45 | - | 100 | |
| | | External HSE 50 MHz | - | 40 | - | |
| Tod_swdis | Over_drive switch disable time | HSI | - | 20 | - | |
| | | HSE max for 4 MHz and min for 26 MHz. | 20 | - | 80 | |
| | | External HSE 50 MHz | - | 15 | - | |

1. Guaranteed by design.

6.3.7 Supply current characteristics

The current consumption is a function of several parameters and factors such as the operating voltage, ambient temperature, I/O pin loading, device software configuration, operating frequencies, I/O pin switching rate, program location in memory and executed binary code.

The current consumption is measured as described in [Figure 26: Current consumption measurement scheme](#).

All the run-mode current consumption measurements given in this section are performed with a reduced code that gives a consumption equivalent to CoreMark code.

Typical and maximum current consumption

The MCU is placed under the following conditions:

- All I/O pins are in input mode with a static value at V_{DD} or V_{SS} (no load).
- All peripherals are disabled except if it is explicitly mentioned.
- The Flash memory access time is adjusted both to f_{HCLK} frequency and V_{DD} range (see [Table 18: Limitations depending on the operating power supply range](#)).
- When the regulator is ON, the voltage scaling and over-drive mode are adjusted to f_{HCLK} frequency as follows:
 - Scale 3 for f_{HCLK} ≤ 144 MHz
 - Scale 2 for 144 MHz < f_{HCLK} ≤ 168 MHz
 - Scale 1 for 168 MHz < f_{HCLK} ≤ 216 MHz. The over-drive is only ON at 216 MHz.
- When the regulator is OFF, the V12 is provided externally as described in [Table 17: General operating conditions](#):
- The system clock is HCLK, f_{PCLK1} = f_{HCLK}/4, and f_{PCLK2} = f_{HCLK}/2.
- External clock frequency is 25 MHz and PLL is ON when f_{HCLK} is higher than 25 MHz.
- The typical current consumption values are obtained for 1.7 V ≤ V_{DD} ≤ 3.6 V voltage range and for T_A = 25 °C unless otherwise specified.
- The maximum values are obtained for 1.7 V ≤ V_{DD} ≤ 3.6 V voltage range and a maximum ambient temperature (T_A) unless otherwise specified.
- For the voltage range 1.7 V ≤ V_{DD} ≤ 3.6 V, the maximum frequency is 180 MHz.

Table 24. Typical and maximum current consumption in Run mode, code with data processing running from ITCM RAM, regulator ON

| Symbol | Parameter | Conditions | f _{HCLK} (MHz) | Typ | Max ⁽¹⁾ | | | Unit |
|-----------------|----------------------------|---|-------------------------|-----|------------------------|------------------------|-------------------------|------|
| | | | | | T _A = 25 °C | T _A = 85 °C | T _A = 105 °C | |
| I _{DD} | Supply current in RUN mode | All peripherals enabled ⁽²⁾⁽³⁾ | 216 | 193 | 221 ⁽⁴⁾ | 258 ⁽⁴⁾ | - | mA |
| | | | 200 | 179 | 207 | 244 | 279 | |
| | | | 180 | 159 | 176 ⁽⁴⁾ | 210 ⁽⁴⁾ | 238 ⁽⁴⁾ | |
| | | | 168 | 142 | 156 | 187 | 211 | |
| | | | 144 | 122 | 135 | 167 | 190 | |
| | | | 60 | 49 | 55 | 81 | 103 | |
| | | | 25 | 23 | 28 | 54 | 76 | |
| | | All peripherals disabled ⁽³⁾ | 216 | 95 | 107 ⁽⁴⁾ | 153 ⁽⁴⁾ | - | |
| | | | 200 | 88 | 100 | 146 | 180 | |
| | | | 180 | 78 | 88 ⁽⁴⁾ | 122 ⁽⁴⁾ | 147 ⁽⁴⁾ | |
| | | | 168 | 70 | 78 | 109 | 133 | |
| | | | 144 | 60 | 68 | 99 | 123 | |
| | | | 60 | 24 | 29 | 55 | 76 | |
| | | | 25 | 12 | 16 | 42 | 63 | |

1. Guaranteed by characterization results, unless otherwise specified.

2. When analog peripheral blocks such as ADCs, DACs, HSE, LSE, HSI, or LSI are ON, an additional power consumption should be considered.
3. When the ADC is ON (ADON bit set in the ADC_CR2 register), add an additional power consumption of 1.73 mA per ADC for the analog part.
4. Guaranteed by test in production.

Table 25. Typical and maximum current consumption in Run mode, code with data processing running from Flash memory (Single bank mode, ART ON except prefetch / L1-cache ON) or SRAM on AXI (L1-cache ON), regulator ON

| Symbol | Parameter | Conditions | f _{HCLK} (MHz) | Typ | Max ⁽¹⁾ | | | Unit |
|-----------------|----------------------------|---|-------------------------|-----|------------------------|------------------------|-------------------------|------|
| | | | | | T _A = 25 °C | T _A = 85 °C | T _A = 105 °C | |
| I _{DD} | Supply current in RUN mode | All peripherals enabled ⁽²⁾⁽³⁾ | 216 | 190 | 219 | 255 | - | mA |
| | | | 200 | 177 | 205 | 241 | 268 | |
| | | | 180 | 157 | 173 | 208 | 228 | |
| | | | 168 | 139 | 153 | 185 | 204 | |
| | | | 144 | 107 | 117 | 144 | 161 | |
| | | | 60 | 48 | 54 | 81 | 98 | |
| | | | 25 | 23 | 28 | 54 | 71 | |
| | | All peripherals disabled ⁽³⁾ | 216 | 92 | 104 | 150 | - | |
| | | | 200 | 86 | 97 | 143 | 170 | |
| | | | 180 | 76 | 85 | 119 | 140 | |
| | | | 168 | 67 | 75 | 107 | 126 | |
| | | | 144 | 52 | 58 | 84 | 101 | |
| | | | 60 | 23 | 28 | 54 | 71 | |
| | | | 25 | 11 | 15 | 42 | 56 | |

1. Guaranteed by characterization results.
2. When analog peripheral blocks such as ADCs, DACs, HSE, LSE, HSI, or LSI are ON, an additional power consumption should be considered.
3. When the ADC is ON (ADON bit set in the ADC_CR2 register), add an additional power consumption of 1.73 mA per ADC for the analog part.

Table 26. Typical and maximum current consumption in Run mode, code with data processing running from Flash memory (Dual bank mode, ART ON except prefetch / L1-cache ON), regulator ON

| Symbol | Parameter | Conditions | f _{HCLK} (MHz) | Typ | Max ⁽¹⁾ | | | Unit |
|-----------------|----------------------------|---|-------------------------|-----|------------------------|------------------------|-------------------------|------|
| | | | | | T _A = 25 °C | T _A = 85 °C | T _A = 105 °C | |
| I _{DD} | Supply current in RUN mode | All peripherals enabled ⁽²⁾⁽³⁾ | 216 | 190 | 219 | 255 | - | mA |
| | | | 200 | 177 | 204 | 242 | 268 | |
| | | | 180 | 157 | 173 | 208 | 228 | |
| | | | 168 | 139 | 153 | 185 | 204 | |
| | | | 144 | 107 | 117 | 144 | 161 | |
| | | | 60 | 48 | 54 | 81 | 98 | |
| | | | 25 | 23 | 28 | 54 | 71 | |
| | | All peripherals disabled ⁽³⁾ | 216 | 92 | 104 | 150 | - | |
| | | | 200 | 86 | 97 | 143 | 170 | |
| | | | 180 | 76 | 85 | 119 | 140 | |
| | | | 168 | 67 | 75 | 107 | 126 | |
| | | | 144 | 52 | 58 | 84 | 101 | |
| | | | 60 | 23 | 28 | 54 | 71 | |
| | | | 25 | 11 | 15 | 42 | 59 | |

1. Guaranteed by characterization results.
2. When analog peripheral blocks such as ADCs, DACs, HSE, LSE, HSI, or LSI are ON, an additional power consumption should be considered.
3. When the ADC is ON (ADON bit set in the ADC_CR2 register), add an additional power consumption of 1.73 mA per ADC for the analog part.

Table 27. Typical and maximum current consumption in Run mode, code with data processing running from Flash memory (Single bank mode) or SRAM on AXI (L1-cache disabled), regulator ON

| Symbol | Parameter | Conditions | f _{HCLK} (MHz) | Typ | Max ⁽¹⁾ | | | Unit |
|-----------------|----------------------------|---|-------------------------|-----|--------------------|----------|-----------|------|
| | | | | | TA= 25 °C | TA=85 °C | TA=105 °C | |
| I _{DD} | Supply current in RUN mode | All peripherals enabled ⁽²⁾⁽³⁾ | 216 | 190 | 209 | 255 | - | mA |
| | | | 200 | 177 | 194 | 241 | 268 | |
| | | | 180 | 160 | 175 | 211 | 232 | |
| | | | 168 | 144 | 156 | 189 | 209 | |
| | | | 144 | 115 | 125 | 152 | 170 | |
| | | | 60 | 56 | 62 | 89 | 107 | |
| | | 25 | 27 | 32 | 59 | 79 | | |
| | | All peripherals disabled ⁽³⁾ | 216 | 92 | 103 | 150 | - | |
| | | | 200 | 86 | 96 | 243 | 171 | |
| | | | 180 | 79 | 87 | 123 | 144 | |
| | | | 168 | 71 | 79 | 111 | 131 | |
| | | | 144 | 60 | 65 | 92 | 110 | |
| | | | 60 | 32 | 36 | 63 | 80 | |
| | | | 25 | 16 | 20 | 46 | 64 | |

1. Guaranteed by characterization results, unless otherwise specified.
2. When analog peripheral blocks such as ADCs, DACs, HSE, LSE, HSI, or LSI are ON, an additional power consumption should be considered.
3. When the ADC is ON (ADON bit set in the ADC_CR2 register), add an additional power consumption of 1.73 mA per ADC for the analog part.

Table 28. Typical and maximum current consumption in Run mode, code with data processing running from Flash memory (Dual bank mode), regulator ON

| Symbol | Parameter | Conditions | f _{HCLK} (MHz) | Typ | Max ⁽¹⁾ | | | Unit |
|-----------------|----------------------------|---|-------------------------|-----|--------------------|----------|-----------|------|
| | | | | | TA= 25 °C | TA=85 °C | TA=105 °C | |
| I _{DD} | Supply current in RUN mode | All peripherals enabled ⁽²⁾⁽³⁾ | 216 | 176 | 194 | 240 | - | mA |
| | | | 200 | 164 | 181 | 227 | 255 | |
| | | | 180 | 149 | 163 | 198 | 220 | |
| | | | 168 | 133 | 145 | 178 | 198 | |
| | | | 144 | 106 | 116 | 143 | 161 | |
| | | | 60 | 54 | 60 | 87 | 105 | |
| | | 25 | 27 | 31 | 58 | 76 | | |
| | | All peripherals disabled ⁽³⁾ | 216 | 77 | 88 | 135 | - | |
| | | | 200 | 72 | 82 | 129 | 157 | |
| | | | 180 | 67 | 75 | 110 | 131 | |
| | | | 168 | 60 | 67 | 99 | 120 | |
| | | | 144 | 50 | 56 | 83 | 101 | |
| | | | 60 | 29 | 34 | 60 | 78 | |
| | | | 25 | 15 | 19 | 45 | 63 | |

1. Guaranteed by characterization results, unless otherwise specified.
2. When analog peripheral blocks such as ADCs, DACs, HSE, LSE, HSI, or LSI are ON, an additional power consumption should be considered.
3. When the ADC is ON (ADON bit set in the ADC_CR2 register), add an additional power consumption of 1.73 mA per ADC for the analog part.

Table 29. Typical and maximum current consumption in Run mode, code with data processing running from Flash memory (Single bank mode) on ITCM interface (ART disabled), regulator ON

| Symbol | Parameter | Conditions | f _{HCLK} (MHz) | Typ | Max ⁽¹⁾ | | | Unit |
|-----------------|----------------------------|---|-------------------------|-----|--------------------|----------|-----------|------|
| | | | | | TA= 25 °C | TA=85 °C | TA=105 °C | |
| I _{DD} | Supply current in RUN mode | All peripherals enabled ⁽²⁾⁽³⁾ | 216 | 215 | 242 | 281 | - | mA |
| | | | 200 | 200 | 218 | 265 | 293 | |
| | | | 180 | 185 | 200 | 237 | 258 | |
| | | | 168 | 166 | 179 | 213 | 233 | |
| | | | 144 | 134 | 144 | 172 | 190 | |
| | | | 60 | 61 | 68 | 95 | 112 | |
| | | | 25 | 29 | 34 | 61 | 78 | |
| | | All peripherals disabled ⁽³⁾ | 216 | 118 | 129 | 177 | - | |
| | | | 200 | 110 | 120 | 168 | 196 | |
| | | | 180 | 104 | 113 | 149 | 170 | |
| | | | 168 | 94 | 102 | 135 | 155 | |
| | | | 144 | 79 | 85 | 113 | 130 | |
| | | | 60 | 37 | 42 | 69 | 86 | |
| | | | 25 | 18 | 22 | 48 | 66 | |

1. Guaranteed by characterization results, unless otherwise specified.
2. When analog peripheral blocks such as ADCs, DACs, HSE, LSE, HSI, or LSI are ON, an additional power consumption should be considered.
3. When the ADC is ON (ADON bit set in the ADC_CR2 register), add an additional power consumption of 1.73 mA per ADC for the analog part.

Table 30. Typical and maximum current consumption in Run mode, code with data processing running from Flash memory (Dual bank mode) on ITCM interface (ART disabled), regulator ON

| Symbol | Parameter | Conditions | f _{HCLK} (MHz) | Typ | Max ⁽¹⁾ | | | Unit |
|-----------------|----------------------------|---|-------------------------|-----|--------------------|----------|-----------|------|
| | | | | | TA= 25 °C | TA=85 °C | TA=105 °C | |
| I _{DD} | Supply current in RUN mode | All peripherals enabled ⁽²⁾⁽³⁾ | 216 | 191 | 218 | 255 | - | mA |
| | | | 200 | 178 | 195 | 241 | 269 | |
| | | | 180 | 164 | 179 | 214 | 236 | |
| | | | 168 | 147 | 160 | 192 | 212 | |
| | | | 144 | 121 | 130 | 157 | 175 | |
| | | | 60 | 60 | 66 | 93 | 111 | |
| | | | 25 | 28 | 33 | 59 | 77 | |
| | | All peripherals disabled ⁽³⁾ | 216 | 93 | 104 | 150 | - | |
| | | | 200 | 87 | 97 | 144 | 171 | |
| | | | 180 | 83 | 92 | 126 | 148 | |
| | | | 168 | 75 | 82 | 114 | 134 | |
| | | | 144 | 65 | 71 | 97 | 115 | |
| | | | 60 | 35 | 40 | 66 | 84 | |
| | | | 25 | 16 | 20 | 47 | 64 | |

1. Guaranteed by characterization results, unless otherwise specified.
2. When analog peripheral blocks such as ADCs, DACs, HSE, LSE, HSI, or LSI are ON, an additional power consumption should be considered.
3. When the ADC is ON (ADON bit set in the ADC_CR2 register), add an additional power consumption of 1.73 mA per ADC for the analog part.

Table 31. Typical and maximum current consumption in Run mode, code with data processing running from Flash memory (Single bank mode, ART ON except prefetch / L1-cache ON) or SRAM on AXI (L1-cache ON), regulator OFF

| Symbol | Parameter | Conditions | f _{HCLK} (MHz) | Typ | | Max ⁽¹⁾ | | | | | | Unit |
|---------------|--|---|-------------------------|-------|-----|--------------------|-----|-----------|-----|------------|-----|------|
| | | | | | | TA= 25 °C | | TA= 85 °C | | TA= 105 °C | | |
| | | | | IDD12 | IDD | IDD12 | IDD | IDD12 | IDD | IDD12 | IDD | |
| IDD12/ IDD | Supply current in RUN mode from V12 and VDD supply | All Peripherals Enabled ⁽²⁾⁽³⁾ | 180 | 152 | 1 | 167 | 2 | 200 | 2 | 220 | 2 | mA |
| | | | 168 | 136 | 1 | 148 | 2 | 179 | 2 | 198 | 2 | |
| | | | 144 | 105 | 1 | 115 | 2 | 141 | 2 | 158 | 2 | |
| | | | 60 | 47 | 1 | 53 | 2 | 79 | 2 | 96 | 2 | |
| | | | 25 | 22 | 1 | 27 | 2 | 53 | 2 | 70 | 2 | |
| | | All Peripherals Disabled ⁽³⁾ | 180 | 74 | 1 | 83 | 2 | 116 | 2 | 136 | 2 | |
| | | | 168 | 65 | 1 | 73 | 2 | 104 | 2 | 123 | 2 | |
| | | | 144 | 50 | 1 | 57 | 2 | 83 | 2 | 100 | 2 | |
| | | | 60 | 22 | 1 | 27 | 2 | 53 | 2 | 70 | 2 | |
| | | | 25 | 10 | 1 | 14 | 2 | 41 | 2 | 58 | 2 | |

1. Guaranteed by characterization results.
2. When analog peripheral blocks such as ADCs, DACs, HSE, LSE, HSI, or LSI are ON, an additional power consumption should be considered.
3. When the ADC is ON (ADON bit set in the ADC_CR2 register), add an additional power consumption of 1.73 mA per ADC for the analog part.

Table 32. Typical and maximum current consumption in Run mode, code with data processing running from Flash memory (Dual bank mode, ART ON except prefetch / L1-cache ON) or SRAM on AXI (L1-cache ON), regulator OFF

| Symbol | Parameter | Conditions | f _{HCLK} (MHz) | Typ | | Max ⁽¹⁾ | | | | | | Unit |
|---------------|--|---|-------------------------|-------|-----|--------------------|-----|-----------|-----|------------|-----|------|
| | | | | | | TA= 25 °C | | TA= 85 °C | | TA= 105 °C | | |
| | | | | IDD12 | IDD | IDD12 | IDD | IDD12 | IDD | IDD12 | IDD | |
| IDD12/ IDD | Supply current in RUN mode from V12 and VDD supply | All Peripherals Enabled ⁽²⁾⁽³⁾ | 180 | 152 | 1 | 167 | 2 | 200 | 2 | 220 | 2 | mA |
| | | | 168 | 136 | 1 | 148 | 2 | 179 | 2 | 198 | 2 | |
| | | | 144 | 105 | 1 | 115 | 2 | 141 | 2 | 158 | 2 | |
| | | | 60 | 47 | 1 | 53 | 2 | 79 | 2 | 96 | 2 | |
| | | | 25 | 22 | 1 | 27 | 2 | 53 | 2 | 70 | 2 | |
| | | All Peripherals Disabled ⁽³⁾ | 180 | 74 | 1 | 82 | 2 | 114 | 2 | 137 | 2 | |
| | | | 168 | 65 | 1 | 73 | 2 | 104 | 2 | 123 | 2 | |
| | | | 144 | 50 | 1 | 57 | 2 | 83 | 2 | 100 | 2 | |
| | | | 60 | 22 | 1 | 27 | 2 | 53 | 2 | 70 | 2 | |
| | | | 25 | 10 | 1 | 14 | 2 | 41 | 2 | 58 | 2 | |

1. Guaranteed by characterization results.
2. When analog peripheral blocks such as ADCs, DACs, HSE, LSE, HSI, or LSI are ON, an additional power consumption should be considered.
3. When the ADC is ON (ADON bit set in the ADC_CR2 register), add an additional power consumption of 1.73 mA per ADC for the analog part.

Table 33. Typical and maximum current consumption in Sleep mode, regulator ON

| Symbol | Parameter | Conditions | f _{HCLK} (MHz) | Typ | Max ⁽¹⁾ | | | Unit |
|-----------------|------------------------------|--|-------------------------|-----|------------------------|------------------------|-------------------------|------|
| | | | | | T _A = 25 °C | T _A = 85 °C | T _A = 105 °C | |
| I _{DD} | Supply current in Sleep mode | All peripherals enabled ⁽²⁾ | 216 | 128 | 144 ⁽³⁾ | 190 ⁽³⁾ | - | mA |
| | | | 200 | 119 | 134 | 180 | 214 | |
| | | | 180 | 105 | 118 ⁽³⁾ | 153 ⁽³⁾ | 178 ⁽³⁾ | |
| | | | 168 | 93 | 105 | 136 | 156 | |
| | | | 144 | 72 | 80 | 107 | 124 | |
| | | | 60 | 33 | 39 | 65 | 82 | |
| | | | 25 | 17 | 21 | 47 | 65 | |
| | | All peripherals disabled | 216 | 18 | 25 ⁽³⁾ | 71 ⁽³⁾ | - | |
| | | | 200 | 17 | 24 | 70 | 112 | |
| | | | 180 | 14 | 20 ⁽³⁾ | 54 ⁽³⁾ | 75 ⁽³⁾ | |
| | | | 168 | 13 | 18 | 49 | 69 | |
| | | | 144 | 10 | 14 | 40 | 58 | |
| | | | 60 | 6 | 10 | 36 | 53 | |
| | | | 25 | 4 | 8 | 34 | 51 | |

1. Guaranteed by characterization results, unless otherwise specified.
2. When analog peripheral blocks such as ADCs, DACs, HSE, LSE, HSI, or LSI are ON, an additional power consumption should be considered.
3. Guaranteed by test in production.

Table 34. Typical and maximum current consumption in Sleep mode, regulator OFF

| Symbol | Parameter | Conditions | f _{HCLK} (MHz) | Typ | | Max ⁽¹⁾ | | | | | | Unit |
|---------------|--|--|----------------------------|-------|-----|--------------------|-----|-----------|-----|------------|-----|------|
| | | | | | | TA= 25 °C | | TA= 85 °C | | TA= 105 °C | | |
| | | | | IDD12 | IDD | IDD12 | IDD | IDD12 | IDD | IDD12 | IDD | |
| IDD12/ IDD | Supply current in RUN mode from V12 and V _{DD} supply | All Peripherals Enabled ⁽²⁾ | 180 | 102 | 1 | 114 | 2 | 148 | 2 | 168 | 2 | mA |
| | | | 168 | 91 | 1 | 101 | 2 | 132 | 2 | 152 | 2 | |
| | | | 144 | 71 | 1 | 78 | 2 | 105 | 2 | 122 | 2 | |
| | | | 60 | 32 | 1 | 37 | 2 | 64 | 2 | 81 | 2 | |
| | | | 25 | 16 | 1 | 20 | 2 | 46 | 2 | 64 | 2 | |
| | | All Peripherals Disabled | 180 | 13 | 1 | 18 | 2 | 53 | 2 | 73 | 2 | |
| | | | 168 | 12 | 1 | 16 | 2 | 47 | 2 | 67 | 2 | |
| | | | 144 | 9 | 1 | 13 | 2 | 39 | 2 | 56 | 2 | |
| | | | 60 | 5 | 1 | 9 | 2 | 35 | 2 | 52 | 2 | |
| | | | 25 | 3 | 1 | 7 | 2 | 33 | 2 | 50 | 2 | |

1. Guaranteed by characterization results, unless otherwise specified.
2. When analog peripheral blocks such as ADCs, DACs, HSE, LSE, HSI, or LSI are ON, an additional power consumption should be considered.

Table 35. Typical and maximum current consumptions in Stop mode

| Symbol | Parameter | Conditions | Typ | Max ⁽¹⁾ | | | | Unit |
|--|--|---|------------------------|-------------------------|------------------------|-------------------------|----|------|
| | | | | V _{DD} = 3.6 V | | | | |
| | | | T _A = 25 °C | T _A = 25 °C | T _A = 85 °C | T _A = 105 °C | | |
| I _{DD_STOP_NM} (normal mode) | Supply current in Stop mode, main regulator in Run mode | Flash memory in Stop mode, all oscillators OFF, no IWDG | 0.55 | 3 | 18 | 27 | mA | |
| | | Flash memory in Deep power down mode, all oscillators OFF | 0.5 | 3 | 18 | 27 | | |
| | Supply current in Stop mode, main regulator in Low-power mode | Flash memory in Stop mode, all oscillators OFF, no IWDG | 0.42 | 2.5 | 15 | 24 | | |
| | | Flash memory in Deep power down mode, all oscillators OFF, no IWDG | 0.37 | 2.5 | 15 | 24 | | |
| I _{DD_STOP_UDM} (under-drive mode) | Supply current in Stop mode, main regulator in Low voltage and under-drive modes | Regulator in Run mode, Flash memory in Deep power down mode, all oscillators OFF, no IWDG | 0.18 | 1.2 | 6 | 10 | | |
| | | Regulator in Low-power mode, Flash memory in Deep power down mode, all oscillators OFF, no IWDG | 0.13 | 1.1 | 6 | 10 | | |

1. Data based on characterization, tested in production.

Table 36. Typical and maximum current consumptions in Standby mode

| Symbol | Parameter | Conditions | Typ ⁽¹⁾ | | | Max ⁽²⁾ | | | Unit |
|----------------------|--------------------------------|---|-------------------------|-------------------------|-------------------------|-------------------------|------------------------|-------------------------|------|
| | | | T _A = 25 °C | | | T _A = 25 °C | T _A = 85 °C | T _A = 105 °C | |
| | | | V _{DD} = 1.7 V | V _{DD} = 2.4 V | V _{DD} = 3.3 V | V _{DD} = 3.3 V | | | |
| I _{DD_STBY} | Supply current in Standby mode | Backup SRAM OFF, RTC and LSE OFF | 1.1 | 1.9 | 2.4 | 5 ⁽³⁾ | 18 ⁽³⁾ | 38 ⁽³⁾ | µA |
| | | Backup SRAM ON, RTC and LSE OFF | 1.9 | 2.7 | 3.2 | 6 ⁽³⁾ | 23 ⁽³⁾ | 48 ⁽³⁾ | |
| | | Backup SRAM OFF, RTC ON and LSE in low drive mode | 1.7 | 2.7 | 3.5 | 7 | 26 | 55 | |
| | | Backup SRAM OFF, RTC ON and LSE in medium low drive mode | 1.7 | 2.7 | 3.5 | 7 | 26 | 56 | |
| | | Backup SRAM OFF, RTC ON and LSE in medium high drive mode | 1.8 | 2.8 | 3.6 | 8 | 28 | 57 | |
| | | Backup SRAM OFF, RTC ON and LSE in high drive mode | 1.9 | 2.9 | 3.7 | 8 | 28 | 59 | |
| | | Backup SRAM ON, RTC ON and LSE in low drive mode | 2.4 | 3.4 | 4.3 | 8 | 31 | 65 | |
| | | Backup SRAM ON, RTC ON and LSE in Medium low drive mode | 2.4 | 3.5 | 4.3 | 8 | 31 | 65 | |
| | | Backup SRAM ON, RTC ON and LSE in Medium high drive mode | 2.6 | 3.7 | 4.5 | 8 | 33 | 68 | |
| | | Backup SRAM ON, RTC ON and LSE in High drive mode | 2.6 | 3.7 | 4.5 | 9 | 33 | 68 | |

1. The typical current consumption values are given with PDR OFF (internal reset OFF). When the PDR is OFF (internal reset OFF), the typical current consumption is reduced by additional 1.2 µA.
2. Guaranteed by characterization results, unless otherwise specified.
3. Guaranteed by test in production.

Table 37. Typical and maximum current consumptions in V_{BAT} mode

| Symbol | Parameter | Conditions ⁽¹⁾ | Typ | | | Max ⁽²⁾ | | Unit |
|----------------------|---|---|--------------------------|--------------------------|--------------------------|--------------------------|-------------------------|------|
| | | | T _A = 25 °C | | | T _A = 85 °C | T _A = 105 °C | |
| | | | V _{BAT} = 1.7 V | V _{BAT} = 2.4 V | V _{BAT} = 3.3 V | V _{BAT} = 3.6 V | | |
| I _{DD_VBAT} | Supply current in V _{BAT} mode | Backup SRAM OFF, RTC and LSE OFF | 0.03 | 0.04 | 0.04 | 0.2 | 0.4 | μA |
| | | Backup SRAM ON, RTC and LSE OFF | 0.77 | 0.78 | 0.83 | 3.2 | 7.4 | |
| | | Backup SRAM OFF, RTC ON and LSE in low drive mode | 0.62 | 0.8 | 1.13 | 4.4 | 10.2 | |
| | | Backup SRAM OFF, RTC ON and LSE in medium low drive mode | 0.65 | 0.83 | 1.17 | 4.6 | 10.6 | |
| | | Backup SRAM OFF, RTC ON and LSE in medium high drive mode | 0.75 | 0.94 | 1.28 | 5.0 | 11.4 | |
| | | Backup SRAM OFF, RTC ON and LSE in high drive mode | 0.9 | 1.08 | 1.43 | 5.5 | 12.8 | |
| | | Backup SRAM ON, RTC ON and LSE in low drive mode | 1.35 | 1.54 | 1.91 | 7.3 | 17.2 | |
| | | Backup SRAM ON, RTC ON and LSE in Medium low drive mode | 1.38 | 1.57 | 1.93 | 7.9 | 18.4 | |
| | | Backup SRAM ON, RTC ON and LSE in Medium high drive mode | 1.53 | 1.73 | 2.11 | 8.0 | 18.7 | |
| | | Backup SRAM ON, RTC ON and LSE in High drive mode | 1.67 | 1.87 | 2.26 | 9.0 | 21.0 | |

1. Crystal used: Abracon ABS07-120-32.768 kHz-T with a C_L of 6 pF for typical values.

2. Guaranteed by characterization results.

I/O system current consumption

The current consumption of the I/O system has two components: static and dynamic.

I/O static current consumption

All the I/Os used as inputs with pull-up generate a current consumption when the pin is externally held low. The value of this current consumption can be simply computed by using the pull-up/pull-down resistors values given in [Table 65: I/O static characteristics](#).

For the output pins, any external pull-down or external load must also be considered to estimate the current consumption.

An additional I/O current consumption is due to I/Os configured as inputs if an intermediate voltage level is externally applied. This current consumption is caused by the input Schmitt trigger circuits used to discriminate the input value. Unless this specific configuration is required by the application, this supply current consumption can be avoided by configuring these I/Os in analog mode. This is notably the case of ADC input pins which should be configured as analog inputs.

Caution: Any floating input pin can also settle to an intermediate voltage level or switch inadvertently, as a result of external electromagnetic noise. To avoid a current consumption related to floating pins, they must either be configured in analog mode, or forced internally to a definite digital value. This can be done either by using pull-up/down resistors or by configuring the pins in output mode.

I/O dynamic current consumption

In addition to the internal peripheral current consumption (see [Table 39: Peripheral current consumption](#)), the I/Os used by an application also contribute to the current consumption. When an I/O pin switches, it uses the current from the MCU supply voltage to supply the I/O pin circuitry and to charge/discharge the capacitive load (internal or external) connected to the pin:

$$I_{SW} = V_{DD} \times f_{SW} \times C$$

where

I_{SW} is the current sunk by a switching I/O to charge/discharge the capacitive load

V_{DD} is the MCU supply voltage

f_{SW} is the I/O switching frequency

C is the total capacitance seen by the I/O pin: $C = C_{INT} + C_{EXT}$

The test pin is configured in push-pull output mode and is toggled by software at a fixed frequency.

Table 38. Switching output I/O current consumption⁽¹⁾

| Symbol | Parameter | Conditions | I/O toggling frequency (fsw) MHz | Typ V _{DD} = 3.3 V | Typ V _{DD} = 1.8 V | Unit |
|-------------------|-----------------------|--|----------------------------------|-----------------------------|-----------------------------|------|
| I _{DDIO} | I/O switching Current | C _{EXT} = 0 pF C = C _{INT} + C _S + C _{EXT} | 2 | 0.1 | 0.1 | mA |
| | | | 8 | 0.4 | 0.2 | |
| | | | 25 | 1.1 | 0.7 | |
| | | | 50 | 2.4 | 1.3 | |
| | | | 60 | 3.1 | 1.6 | |
| | | | 84 | 4.3 | 2.4 | |
| | | | 90 | 4.9 | 2.6 | |
| | | | 100 | 5.4 | 2.8 | |
| | | C _{EXT} = 10 pF C = C _{INT} + C _S + C _{EXT} | 2 | 0.2 | 0.1 | |
| | | | 8 | 0.6 | 0.3 | |
| | | | 25 | 1.8 | 1.1 | |
| | | | 50 | 3.1 | 2.3 | |
| | | | 60 | 4.6 | 3.4 | |
| | | | 84 | 9.7 | 3.6 | |
| | | | 90 | 10.12 | 5.2 | |
| | | | 100 | 14.92 | 5.4 | |

Table 38. Switching output I/O current consumption⁽¹⁾ (continued)

| Symbol | Parameter | Conditions | I/O toggling frequency (fsw) MHz | Typ V _{DD} = 3.3 V | Typ V _{DD} = 1.8 V | Unit |
|-------------------|-----------------------|--|----------------------------------|-----------------------------|-----------------------------|------|
| I _{DDIO} | I/O switching Current | C _{EXT} = 22 pF C = C _{INT} + C _S + C _{EXT} | 2 | 0.3 | 0.1 | mA |
| | | | 8 | 1.0 | 0.5 | |
| | | | 25 | 3.5 | 1.6 | |
| | | | 50 | 5.9 | 4.2 | |
| | | | 60 | 10.0 | 4.4 | |
| | | | 84 | 19.12 | 5.8 | |
| | | | 90 | 19.6 | - | |
| | | C _{EXT} = 33 pF C = C _{INT} + C _S + C _{EXT} | 2 | 0.3 | 0.2 | |
| | | | 8 | 1.3 | 0.7 | |
| | | | 25 | 3.5 | 2.3 | |
| | | | 50 | 10.26 | 5.19 | |
| | | | 60 | 16.53 | - | |

1. C_{INT} + C_S, PCB board capacitance including the pad pin is estimated to 15 pF.

On-chip peripheral current consumption

The MCU is placed under the following conditions:

- At startup, all I/O pins are in analog input configuration.
- All peripherals are disabled unless otherwise mentioned.
- I/O compensation cell enabled.
- The ART/L1-cache is ON.
- Scale 1 mode selected, internal digital voltage V_{I2} = 1.32 V.
- HCLK is the system clock. f_{PCLK1} = f_{HCLK}/4, and f_{PCLK2} = f_{HCLK}/2.

The given value is calculated by measuring the difference of current consumption

- with all peripherals clocked off
- with only one peripheral clocked on
- f_{HCLK} = 216 MHz (Scale 1 + over-drive ON), f_{HCLK} = 168 MHz (Scale 2), f_{HCLK} = 144 MHz (Scale 3)
- Ambient operating temperature is 25 °C and V_{DD}=3.3 V.

Table 39. Peripheral current consumption

| Peripheral | | I _{DD} (Typ) ⁽¹⁾ | | | Unit |
|--|------------|--------------------------------------|------------------|------------------|--------|
| | | Scale 1 | Scale 2 | Scale 3 | |
| AHB1 (up to 216 MHz) | GPIOA | 2.9 | 2.8 | 2.2 | μA/MHz |
| | GPIOB | 3.0 | 2.9 | 2.2 | |
| | GPIOC | 2.9 | 2.8 | 2.2 | |
| | GIOD | 3.1 | 3.0 | 2.3 | |
| | GPIOE | 3.1 | 3.0 | 2.3 | |
| | GPIOF | 2.9 | 2.8 | 2.2 | |
| | GPIOG | 2.9 | 2.8 | 2.2 | |
| | GPIOH | 3.1 | 3.1 | 2.4 | |
| | GPIOI | 3.0 | 2.9 | 2.2 | |
| | GPIOJ | 2.9 | 2.9 | 2.2 | |
| | GPIOK | 2.8 | 2.8 | 2.4 | |
| | CRC | 1.0 | 0.9 | 0.8 | |
| | BKPSRAM | 0.9 | 0.9 | 0.7 | |
| | DMA1 | 3.17 x N + 11.63 | 3.08 x N + 11.39 | 2.6 x N + 9.64 | |
| | DMA2 | 3.33 x N + 12.84 | 3.27 x N + 11.84 | 2.75 x N + 10.10 | |
| | DMA2D | 77.7 | 76.3 | 63.5 | |
| ETH_MAC ETH_MAC_TX ETH_MAC_RX ETH_MAC_PTP | 40.1 | 39.5 | 32.8 | | |
| OTG_HS | 58.5 | 57.4 | 48.1 | | |
| OTG_HS+ULPI | 58.5 | 57.4 | 48.1 | | |
| AHB2 (up to 216 MHz) | DCMI | 2.9 | 2.8 | 2.1 | μA/MHz |
| | JPEG | 74.8 | 73.4 | 61.9 | |
| | RNG | 6.7 | 6.7 | 5.4 | |
| | USB_OTG_FS | 32.4 | 31.9 | 26.7 | |
| AHB3 (up to 216 MHz) | FMC | 18.6 | 18.2 | 15.1 | μA/MHz |
| | QSPI | 22.3 | 21.8 | 18.1 | |
| Bus matrix ⁽²⁾ | | 3.94 | 3.25 | 2.12 | μA/MHz |

Table 39. Peripheral current consumption (continued)

| Peripheral | | I _{DD} (Typ) ⁽¹⁾ | | | Unit |
|---------------------------|--------------------------|--------------------------------------|---------|---------|--------|
| | | Scale 1 | Scale 2 | Scale 3 | |
| APB1 (up to 54 MHz) | TIM2 | 19.1 | 18.7 | 14.7 | μA/MHz |
| | TIM3 | 14.6 | 14.0 | 10.6 | |
| | TIM4 | 15.4 | 14.7 | 11.4 | |
| | TIM5 | 18.1 | 17.6 | 13.6 | |
| | TIM6 | 3.1 | 2.7 | 1.4 | |
| | TIM7 | 3.0 | 2.7 | 1.1 | |
| | TIM12 | 8.1 | 7.8 | 5.6 | |
| | TIM13 | 5.4 | 5.1 | 3.1 | |
| | TIM14 | 5.6 | 5.3 | 3.3 | |
| | LPTIM1 | 9.8 | 9.6 | 6.9 | |
| | WWDG | 1.9 | 1.6 | 1.4 | |
| | SPI2/I2S2 ⁽³⁾ | 3.0 | 2.9 | 1.4 | |
| | SPI3/I2S3 ⁽³⁾ | 3.0 | 3.3 | 1.4 | |
| | SPDIFRX | 2.4 | 2.0 | 1.7 | |
| | USART2 | 12.6 | 12.7 | 9.2 | |
| | USART3 | 12.4 | 12.4 | 9.4 | |
| | UART4 | 10.7 | 10.9 | 8.1 | |
| | UART5 | 10.7 | 10.7 | 8.1 | |
| | I2C1 | 8.9 | 8.9 | 6.4 | |
| | I2C2 | 8.3 | 8.2 | 6.1 | |
| | I2C3 | 8.1 | 8.2 | 6.1 | |
| | I2C4 | 8.0 | 8.2 | 5.8 | |
| | CAN1 | 6.3 | 6.4 | 4.4 | |
| | CAN2 | 5.7 | 5.8 | 3.9 | |
| | CAN3 | 7.4 | 7.1 | 5.6 | |
| | HDMI-CEC | 2.2 | 1.8 | 1.4 | |
| | PWR | 1.3 | 0.9 | 0.8 | |
| | DAC ⁽⁴⁾ | 4.8 | 4.2 | 3.6 | |
| UART7 | 10.4 | 10.4 | 7.8 | | |
| UART8 | 11.1 | 11.3 | 8.3 | | |

Table 39. Peripheral current consumption (continued)

| Peripheral | | I _{DD} (Typ) ⁽¹⁾ | | | Unit |
|----------------------------|--------------------------|--------------------------------------|---------|---------|--------|
| | | Scale 1 | Scale 2 | Scale 3 | |
| APB2 (up to 108 MHz) | TIM1 | 24.1 | 23.8 | 19.6 | μA/MHz |
| | TIM8 | 24.5 | 24.2 | 20.0 | |
| | USART1 | 17.7 | 17.4 | 14.3 | |
| | USART6 | 11.9 | 11.8 | 9.4 | |
| | ADC1 ⁽⁵⁾ | 4.5 | 4.7 | 3.5 | |
| | ADC2 ⁽⁵⁾ | 4.5 | 4.7 | 3.3 | |
| | ADC3 ⁽⁵⁾ | 4.5 | 4.6 | 3.3 | |
| | SDMMC1 | 8.4 | 8.3 | 6.9 | |
| | SDMMC2 | 8.2 | 8.2 | 6.4 | |
| | SPI1/I2S1 ⁽³⁾ | 3.9 | 3.6 | 3.1 | |
| | SPI4 | 3.9 | 3.6 | 3.1 | |
| | SYSCFG | 2.5 | 2.2 | 1.9 | |
| | TIM9 | 8.0 | 8.0 | 6.2 | |
| | TIM10 | 5.0 | 5.1 | 3.7 | |
| | TIM11 | 6.9 | 6.9 | 5.3 | |
| | SPI5 | 2.7 | 2.8 | 1.8 | |
| | SPI6 | 3.1 | 3.2 | 2.2 | |
| | SAI1 | 3.2 | 3.3 | 2.2 | |
| | DFSDM1 | 10.9 | 10.7 | 9.0 | |
| | SAI2 | 3.9 | 3.9 | 2.8 | |
| MDIO | 7.1 | 7.0 | 5.8 | | |
| LTDC | 51.2 | 50.3 | 41.8 | | |
| DSI | 8.5 | 8.4 | 8.1 | | |

1. When the I/O compensation cell is ON, I_{DD} typical value increases by 0.22 mA.
2. The BusMatrix is automatically active when at least one master is ON.
3. To enable an I2S peripheral, first set the I2SMOD bit and then the I2SE bit in the SPI_I2SCFGR register.
4. When the DAC is ON and EN1/2 bits are set in DAC_CR register, add an additional power consumption of 0.75 mA per DAC channel for the analog part.
5. When the ADC is ON (ADON bit set in the ADC_CR2 register), add an additional power consumption of 1.73 mA per ADC for the analog part.

6.3.8 Wakeup time from low-power modes

The wakeup times given in [Table 40](#) are measured starting from the wakeup event trigger up to the first instruction executed by the CPU:

- For Stop or Sleep modes: the wakeup event is WFE.
- WKUP (PA0) pin is used to wakeup from Standby, Stop and Sleep modes.

All timings are derived from tests performed under ambient temperature and $V_{DD}=3.3$ V.

Table 40. Low-power mode wakeup timings

| Symbol | Parameter | Conditions | Typ ⁽¹⁾ | Max ⁽¹⁾ | Unit |
|---------------------|--|--|--------------------|--------------------|------------------|
| $t_{WUSLEEP}^{(2)}$ | Wakeup from Sleep | - | 13 | 13 | CPU clock cycles |
| $t_{WUSTOP}^{(2)}$ | Wakeup from Stop mode with MR/LP regulator in normal mode | Main regulator is ON | 14 | 14.9 | μ s |
| | | Main regulator is ON and Flash memory in Deep power down mode | 104.1 | 107.6 | |
| | | Low power regulator is ON | 21.4 | 24.2 | |
| | | Low power regulator is ON and Flash memory in Deep power down mode | 111.5 | 116.5 | |
| $t_{WUSTOP}^{(2)}$ | Wakeup from Stop mode with MR/LP regulator in Under-drive mode | Main regulator in under-drive mode (Flash memory in Deep power-down mode) | 107.4 | 113.2 | |
| | | Low power regulator in under-drive mode (Flash memory in Deep power-down mode) | 112.7 | 120 | |
| $t_{WUSTDBY}^{(2)}$ | Wakeup from Standby mode | Exit Standby mode on rising edge | 308 | 313 | |
| | | Exit Standby mode on falling edge | 307 | 313 | |

1. Guaranteed by characterization results.

2. The wakeup times are measured from the wakeup event to the point in which the application code reads the first

6.3.9 External clock source characteristics

High-speed external user clock generated from an external source

In bypass mode the HSE oscillator is switched off and the input pin is a standard I/O. The external clock signal has to respect the [Table 65: I/O static characteristics](#). However, the recommended clock input waveform is shown in [Figure 28](#).

The characteristics given in [Table 41](#) result from tests performed using an high-speed external clock source, and under ambient temperature and supply voltage conditions summarized in [Table 17](#).

Table 41. High-speed external user clock characteristics

| Symbol | Parameter | Conditions | Min | Typ | Max | Unit |
|--|---|---|--------------------|-----|--------------------|---------------|
| $f_{\text{HSE_ext}}$ | External user clock source frequency ⁽¹⁾ | | 1 | - | 50 | MHz |
| V_{HSEH} | OSC_IN input pin high level voltage | | $0.7V_{\text{DD}}$ | - | V_{DD} | V |
| V_{HSEL} | OSC_IN input pin low level voltage | | V_{SS} | - | $0.3V_{\text{DD}}$ | |
| $t_{\text{w(HSE)}}$ $t_{\text{w(HSE)}}$ | OSC_IN high or low time ⁽¹⁾ | | 5 | - | - | ns |
| $t_{\text{r(HSE)}}$ $t_{\text{f(HSE)}}$ | OSC_IN rise or fall time ⁽¹⁾ | | - | - | 10 | |
| $C_{\text{in(HSE)}}$ | OSC_IN input capacitance ⁽¹⁾ | - | - | 5 | - | pF |
| $\text{DuCy}_{\text{(HSE)}}$ | Duty cycle | - | 45 | - | 55 | % |
| I_{L} | OSC_IN Input leakage current | $V_{\text{SS}} \leq V_{\text{IN}} \leq V_{\text{DD}}$ | - | - | ± 1 | μA |

1. Guaranteed by design.

Low-speed external user clock generated from an external source

In bypass mode the LSE oscillator is switched off and the input pin is a standard I/O. The external clock signal has to respect the [Table 65: I/O static characteristics](#). However, the recommended clock input waveform is shown in [Figure 29](#).

The characteristics given in [Table 42](#) result from tests performed using an low-speed external clock source, and under ambient temperature and supply voltage conditions summarized in [Table 17](#).

Table 42. Low-speed external user clock characteristics

| Symbol | Parameter | Conditions | Min | Typ | Max | Unit |
|------------------------------|---|----------------------------------|-------------|--------|-------------|---------|
| f_{LSE_ext} | User External clock source frequency ⁽¹⁾ | | - | 32.768 | 1000 | kHz |
| V_{LSEH} | OSC32_IN input pin high level voltage | - | $0.7V_{DD}$ | - | V_{DD} | V |
| V_{LSEL} | OSC32_IN input pin low level voltage | | V_{SS} | - | $0.3V_{DD}$ | |
| $t_{w(LSE)}$ $t_{f(LSE)}$ | OSC32_IN high or low time ⁽¹⁾ | | 450 | - | - | ns |
| $t_{r(LSE)}$ $t_{f(LSE)}$ | OSC32_IN rise or fall time ⁽¹⁾ | | - | - | 50 | |
| $C_{in(LSE)}$ | OSC32_IN input capacitance ⁽¹⁾ | - | - | 5 | - | pF |
| DuCy(LSE) | Duty cycle | - | 30 | - | 70 | % |
| I_L | OSC32_IN Input leakage current | $V_{SS} \leq V_{IN} \leq V_{DD}$ | - | - | ± 1 | μA |

1. Guaranteed by design.

Figure 28. High-speed external clock source AC timing diagram

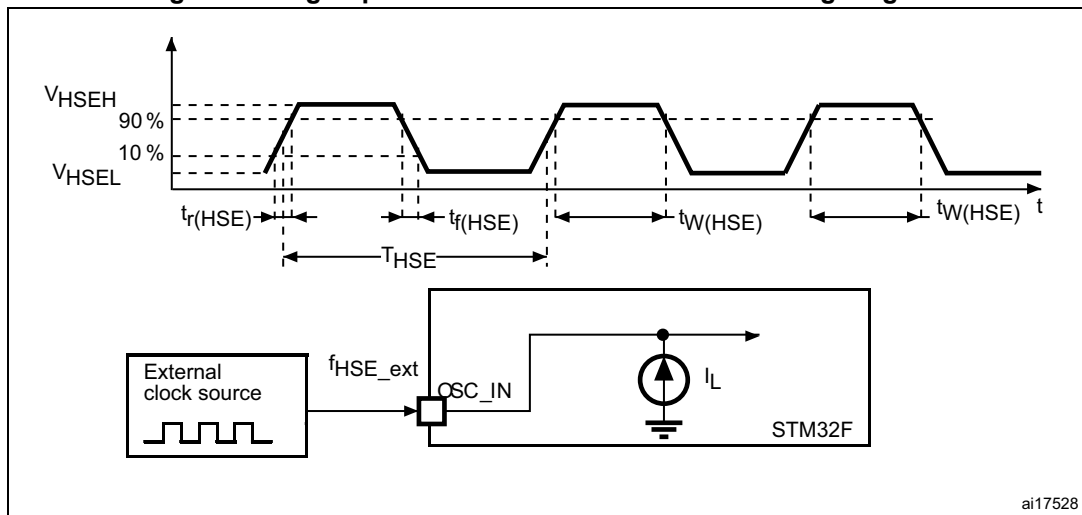
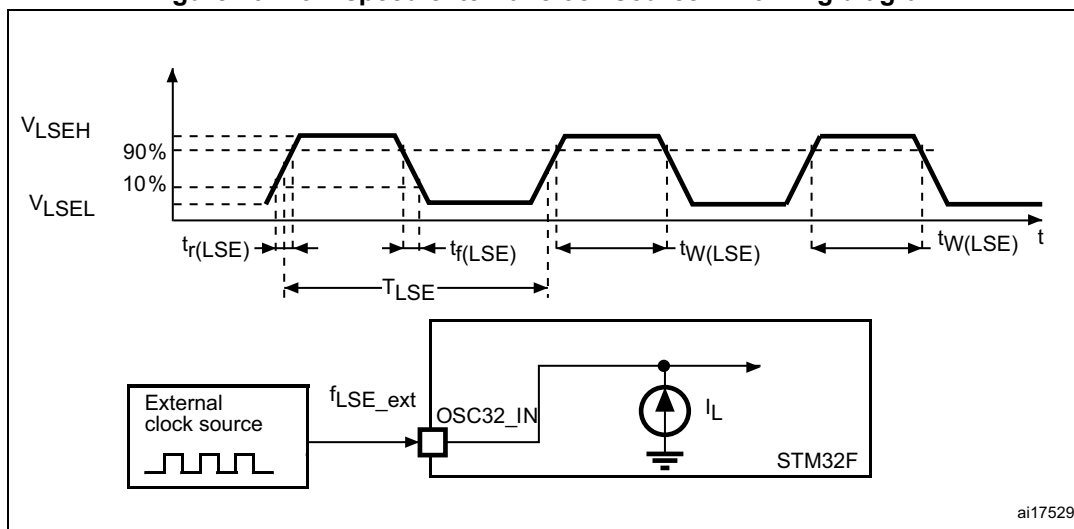


Figure 29. Low-speed external clock source AC timing diagram



High-speed external clock generated from a crystal/ceramic resonator

The high-speed external (HSE) clock can be supplied with a 4 to 26 MHz crystal/ceramic resonator oscillator. All the information given in this paragraph are based on characterization results obtained with typical external components specified in [Table 43](#). In the application, the resonator and the load capacitors have to be placed as close as possible to the oscillator pins in order to minimize output distortion and startup stabilization time. Refer to the crystal resonator manufacturer for more details on the resonator characteristics (frequency, package, accuracy).

Table 43. HSE 4-26 MHz oscillator characteristics⁽¹⁾

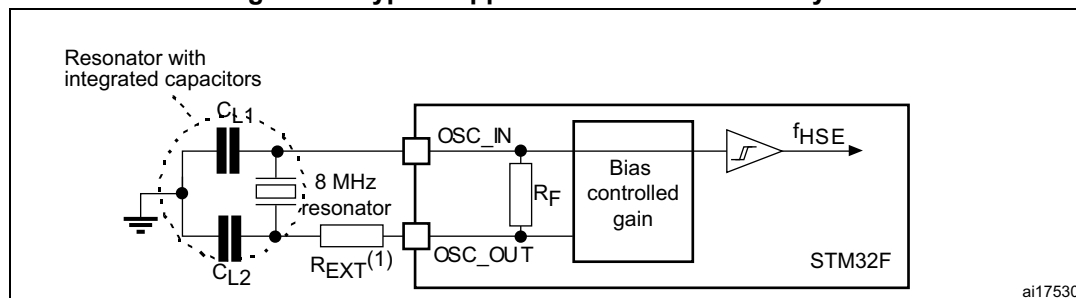
| Symbol | Parameter | Conditions | Min | Typ | Max | Unit |
|-------------------------------------|---|---|-------|-----|-----|------|
| f _{OSC_IN} | Oscillator frequency | - | 4 | - | 26 | MHz |
| R _F | Feedback resistor | - | - | 200 | - | kΩ |
| I _{DD} | HSE current consumption | V _{DD} =3.3 V, ESR= 30 Ω, C _L =5 pF@25 MHz | - | 450 | - | μA |
| | | V _{DD} =3.3 V, ESR= 30 Ω, C _L =10 pF@25 MHz | - | 530 | - | |
| ACC _{HSE} ⁽²⁾ | HSE accuracy | - | - 500 | - | 500 | ppm |
| G _{m_crit_max} | Maximum critical crystal g _m | Startup | - | - | 1 | mA/V |
| t _{SU(HSE)} ⁽³⁾ | Startup time | V _{DD} is stabilized | - | 2 | - | ms |

1. Guaranteed by design.
2. This parameter depends on the crystal used in the application. The minimum and maximum values must be respected to comply with USB standard specifications.
3. t_{SU(HSE)} is the startup time measured from the moment it is enabled (by software) to a stabilized 8 MHz oscillation is reached. This value is guaranteed by characterization results. It is measured for a standard crystal resonator and it can vary significantly with the crystal manufacturer.

For C_{L1} and C_{L2} , it is recommended to use high-quality external ceramic capacitors in the 5 pF to 25 pF range (typ.), designed for high-frequency applications, and selected to match the requirements of the crystal or resonator (see [Figure 30](#)). C_{L1} and C_{L2} are usually the same size. The crystal manufacturer typically specifies a load capacitance which is the series combination of C_{L1} and C_{L2} . The PCB and MCU pin capacitance must be included (10 pF can be used as a rough estimate of the combined pin and board capacitance) when sizing C_{L1} and C_{L2} .

Note: For information on selecting the crystal, refer to the application note AN2867 “Oscillator design guide for ST microcontrollers” available from the ST website www.st.com.

Figure 30. Typical application with an 8 MHz crystal



1. R_{EXT} value depends on the crystal characteristics.

Low-speed external clock generated from a crystal/ceramic resonator

The low-speed external (LSE) clock can be supplied with a 32.768 kHz crystal/ceramic resonator oscillator. All the information given in this paragraph are based on characterization results obtained with typical external components specified in [Table 44](#). In the application, the resonator and the load capacitors have to be placed as close as possible to the oscillator pins in order to minimize output distortion and startup stabilization time. Refer to the crystal resonator manufacturer for more details on the resonator characteristics (frequency, package, accuracy).

Table 44. LSE oscillator characteristics ($f_{LSE} = 32.768$ kHz) (1)

| Symbol | Parameter | Conditions | Min | Typ | Max | Unit |
|----------|-------------------------|--|-----|-----|-----|------|
| I_{DD} | LSE current consumption | LSEDRV[1:0]=00 Low drive capability | - | 250 | - | nA |
| | | LSEDRV[1:0]=10 Medium low drive capability | - | 300 | - | |
| | | LSEDRV[1:0]=01 Medium high drive capability | - | 370 | - | |
| | | LSEDRV[1:0]=11 High drive capability | - | 480 | - | |

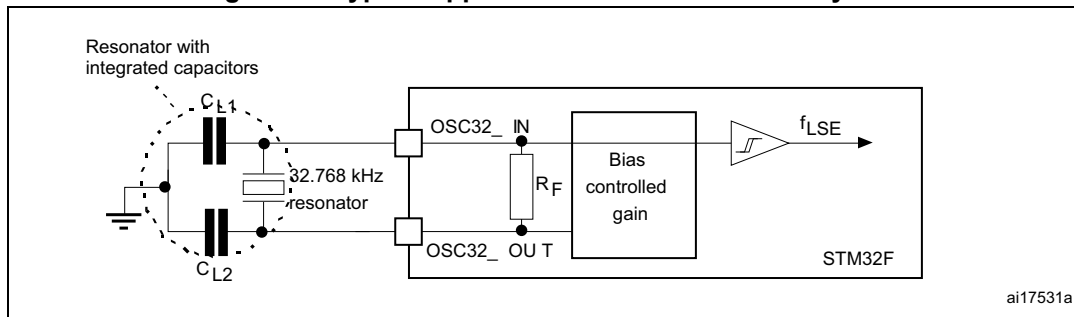
Table 44. LSE oscillator characteristics ($f_{LSE} = 32.768$ kHz) ⁽¹⁾ (continued)

| Symbol | Parameter | Conditions | Min | Typ | Max | Unit |
|--------------------|--------------------------------|--|-----|-----|------|-----------|
| $G_{m_crit_max}$ | Maximum critical crystal g_m | LSEDRV[1:0]=00 Low drive capability | - | - | 0.48 | $\mu A/V$ |
| | | LSEDRV[1:0]=10 Medium low drive capability | - | - | 0.75 | |
| | | LSEDRV[1:0]=01 Medium high drive capability | - | - | 1.7 | |
| | | LSEDRV[1:0]=11 High drive capability | - | - | 2.7 | |
| $t_{SU}^{(2)}$ | start-up time | V_{DD} is stabilized | - | 2 | - | s |

1. Guaranteed by design.
2. Guaranteed by characterization results. t_{SU} is the start-up time measured from the moment it is enabled (by software) to a stabilized 32.768 kHz oscillation is reached. This value is measured for a standard crystal resonator and it can vary significantly with the crystal manufacturer.

Note: For information on selecting the crystal, refer to the application note AN2867 “Oscillator design guide for ST microcontrollers” available from the ST website www.st.com.

Figure 31. Typical application with a 32.768 kHz crystal



6.3.10 Internal clock source characteristics

The parameters given in [Table 45](#) and [Table 46](#) are derived from tests performed under ambient temperature and V_{DD} supply voltage conditions summarized in [Table 17](#).

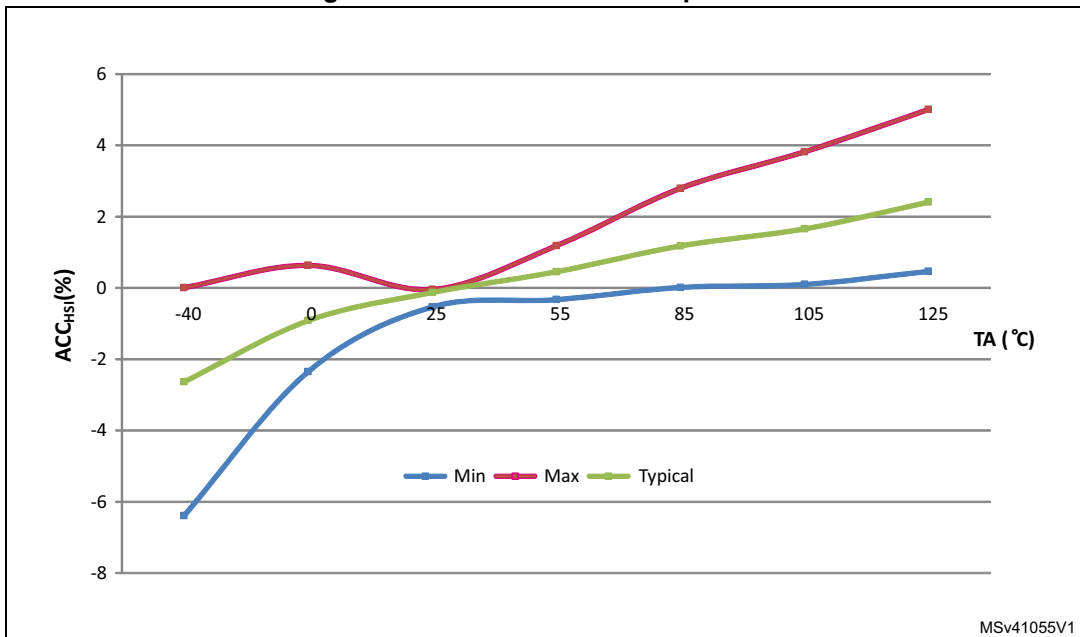
High-speed internal (HSI) RC oscillator

Table 45. HSI oscillator characteristics (1)

| Symbol | Parameter | Conditions | Min | Typ | Max | Unit |
|------------------------------|---------------------------------------|--|-----|-----|-----|------|
| f_{HSI} | Frequency | - | - | 16 | - | MHz |
| ACC_{HSI} | HSI user trimming step ⁽²⁾ | - | - | - | 1 | % |
| | Accuracy of the HSI oscillator | $T_A = -40$ to 105 °C ⁽³⁾ | - 8 | - | 4.5 | % |
| | | $T_A = -10$ to 85 °C ⁽³⁾ | - 4 | - | 4 | % |
| | | $T_A = 25$ °C ⁽⁴⁾ | - 1 | - | 1 | % |
| $t_{su(HSI)}$ ⁽²⁾ | HSI oscillator startup time | - | - | 2.2 | 4 | μs |
| $I_{DD(HSI)}$ ⁽²⁾ | HSI oscillator power consumption | - | - | 60 | 80 | μA |

- $V_{DD} = 3.3$ V, PLL OFF, $T_A = -40$ to 125 °C unless otherwise specified.
- Guaranteed by design.
- Guaranteed by characterization results.
- Factory calibrated, parts not soldered.

Figure 32. ACC_{HSI} versus temperature



- Guaranteed by characterization results.

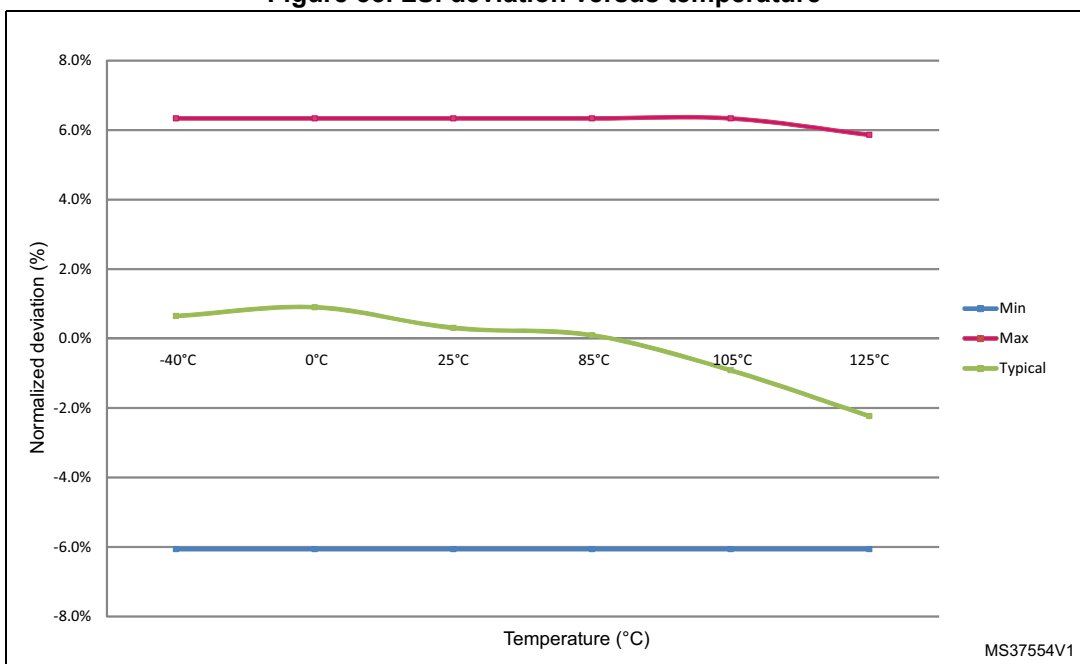
Low-speed internal (LSI) RC oscillator

Table 46. LSI oscillator characteristics (1)

| Symbol | Parameter | Min | Typ | Max | Unit |
|---------------------|----------------------------------|-----|-----|-----|---------|
| $f_{LSI}^{(2)}$ | Frequency | 17 | 32 | 47 | kHz |
| $t_{su(LSI)}^{(3)}$ | LSI oscillator startup time | - | 15 | 40 | μs |
| $I_{DD(LSI)}^{(3)}$ | LSI oscillator power consumption | - | 0.4 | 0.6 | μA |

- $V_{DD} = 3 V, T_A = -40$ to 105 °C unless otherwise specified.
- Guaranteed by characterization results.
- Guaranteed by design.

Figure 33. LSI deviation versus temperature



6.3.11 PLL characteristics

The parameters given in [Table 47](#) and [Table 48](#) are derived from tests performed under temperature and V_{DD} supply voltage conditions summarized in [Table 17](#).

Table 47. Main PLL characteristics

| Symbol | Parameter | Conditions | Min | Typ | Max | Unit | |
|-----------------------|--|--|---------------------|------|--------------|------|----|
| f_{PLL_IN} | PLL input clock ⁽¹⁾ | - | 0.95 ⁽²⁾ | 1 | 2.10 | MHz | |
| f_{PLL_OUT} | PLL multiplier output clock | - | 24 | - | 216 | | |
| f_{PLL48_OUT} | 48 MHz PLL multiplier output clock | - | - | 48 | 75 | | |
| f_{VCO_OUT} | PLL VCO output | - | 100 | - | 432 | | |
| t_{LOCK} | PLL lock time | VCO freq = 192 MHz | 75 | - | 200 | μs | |
| | | VCO freq = 432 MHz | 100 | - | 300 | | |
| Jitter ⁽³⁾ | Cycle-to-cycle jitter | System clock 216 MHz | RMS | - | 25 | - | ps |
| | | | peak to peak | - | ±150 | - | |
| | Period Jitter | | RMS | - | 15 | - | |
| | peak to peak | | - | ±200 | - | | |
| | Main clock output (MCO) for RMI Ethernet | Cycle to cycle at 50 MHz on 1000 samples | - | 32 | - | | |
| | Main clock output (MCO) for MII Ethernet | Cycle to cycle at 25 MHz on 1000 samples | - | 40 | - | | |
| | Bit Time CAN jitter | Cycle to cycle at 1 MHz on 1000 samples | - | 330 | - | | |
| $I_{DD(PLL)}^{(4)}$ | PLL power consumption on V_{DD} | VCO freq = 192 MHz VCO freq = 432 MHz | 0.15 0.45 | - | 0.40 0.75 | mA | |
| $I_{DDA(PLL)}^{(4)}$ | PLL power consumption on V_{DDA} | VCO freq = 192 MHz VCO freq = 432 MHz | 0.30 0.55 | - | 0.40 0.85 | mA | |

1. Take care of using the appropriate division factor M to obtain the specified PLL input clock values. The M factor is shared between PLL and PLLI2S.
2. Guaranteed by design.
3. The use of 2 PLLs in parallel could degraded the Jitter up to +30%.
4. Guaranteed by characterization results.

Table 48. PLLI2S characteristics

| Symbol | Parameter | Conditions | Min | Typ | Max | Unit | |
|---|--|--|--|-----|------|------|----|
| f _{PLLI2S_IN} | PLLI2S input clock ⁽¹⁾ | - | 0.95 ⁽²⁾ | 1 | 2.10 | MHz | |
| f _{PLLI2SP_OUT} | PLLI2S multiplier output clock for SPDIFRX | - | - | - | 216 | | |
| f _{PLLI2SQ_OUT} | PLLI2S multiplier output clock for SAI | - | - | - | 216 | | |
| f _{PLLI2SR_OUT} | PLLI2S multiplier output clock for I2S | - | - | - | 216 | | |
| f _{VCO_OUT} | PLLI2S VCO output | - | 100 | - | 432 | | |
| t _{LOCK} | PLLI2S lock time | VCO freq = 192 MHz | 75 | - | 200 | µs | |
| | | VCO freq = 432 MHz | 100 | - | 300 | | |
| Jitter ⁽³⁾ | Master I2S clock jitter | Cycle to cycle at 12.288 MHz on 48KHz period, N=432, R=5 | RMS | - | 90 | - | - |
| | | | peak to peak | - | ±280 | - | ps |
| | | | Average frequency of 12.288 MHz N = 432, R = 5 on 1000 samples | - | 90 | - | ps |
| | WS I2S clock jitter | Cycle to cycle at 48 KHz on 1000 samples | - | 400 | - | ps | |
| I _{DD(PLLI2S)} ⁽⁴⁾ | PLLI2S power consumption on V _{DD} | VCO freq = 192 MHz | 0.15 | - | 0.40 | mA | |
| | | VCO freq = 432 MHz | 0.45 | - | 0.75 | | |
| I _{DDA(PLLI2S)} ⁽⁴⁾ | PLLI2S power consumption on V _{DDA} | VCO freq = 192 MHz | 0.30 | - | 0.40 | mA | |
| | | VCO freq = 432 MHz | 0.55 | - | 0.85 | | |

1. Take care of using the appropriate division factor M to have the specified PLL input clock values.
2. Guaranteed by design.
3. Value given with main PLL running.
4. Guaranteed by characterization results.

Table 49. PLLISAI characteristics

| Symbol | Parameter | Conditions | Min | Typ | Max | Unit |
|--------------------------|--|------------|---------------------|-----|------|------|
| f _{PLLSAI_IN} | PLLSAI input clock ⁽¹⁾ | - | 0.95 ⁽²⁾ | 1 | 2.10 | MHz |
| f _{PLLSAIP_OUT} | PLLSAI multiplier output clock for 48 MHz | - | - | 48 | 75 | |
| f _{PLLSAIQ_OUT} | PLLSAI multiplier output clock for SAI | - | - | - | 216 | |
| f _{PLLSAIR_OUT} | PLLSAI multiplier output clock for LCD-TFT | - | - | - | 216 | |
| f _{VCO_OUT} | PLLSAI VCO output | - | 100 | - | 432 | |

Table 49. PLLISAI characteristics (continued)

| Symbol | Parameter | Conditions | Min | Typ | Max | Unit |
|--|--|--|--------------|-----|------|------|
| t _{LOCK} | PLLISAI lock time | VCO freq = 192 MHz | 75 | - | 200 | µs |
| | | VCO freq = 432 MHz | 100 | - | 300 | |
| Jitter ⁽³⁾ | Master SAI clock jitter | Cycle to cycle at 12.288 MHz on 48KHz period, N=432, R=5 | RMS | - | 90 | - |
| | | | peak to peak | - | ±280 | - |
| | Average frequency of 12.288 MHz N = 432, R = 5 on 1000 samples | | - | 90 | - | ps |
| | FS clock jitter | Cycle to cycle at 48 KHz on 1000 samples | - | 400 | - | ps |
| I _{DD(PLLISAI)} ⁽⁴⁾ | PLLISAI power consumption on V _{DD} | VCO freq = 192 MHz | 0.15 | - | 0.40 | mA |
| | | VCO freq = 432 MHz | 0.45 | - | 0.75 | |
| I _{DDA(PLLISAI)} ⁽⁴⁾ | PLLISAI power consumption on V _{DDA} | VCO freq = 192 MHz | 0.30 | - | 0.40 | mA |
| | | VCO freq = 432 MHz | 0.55 | - | 0.85 | |

1. Take care of using the appropriate division factor M to have the specified PLL input clock values.
2. Guaranteed by design.
3. Value given with main PLL running.
4. Guaranteed by characterization results.

6.3.12 PLL spread spectrum clock generation (SSCG) characteristics

The spread spectrum clock generation (SSCG) feature allows to reduce electromagnetic interferences (see [Table 61: EMI characteristics](#)). It is available only on the main PLL.

Table 50. SSCG parameters constraint

| Symbol | Parameter | Min | Typ | Max ⁽¹⁾ | Unit |
|-------------------|-----------------------|------|-----|---------------------|------|
| f _{Mod} | Modulation frequency | - | - | 10 | KHz |
| md | Peak modulation depth | 0.25 | - | 2 | % |
| MODEPER * INCSTEP | - | - | - | 2 ¹⁵ - 1 | - |

1. Guaranteed by design.

Equation 1

The frequency modulation period (MODEPER) is given by the equation below:

$$\text{MODEPER} = \text{round}[f_{\text{PLL_IN}} / (4 \times f_{\text{Mod}})]$$

f_{PLL_IN} and f_{Mod} must be expressed in Hz.

As an example:

If $f_{PLL_IN} = 1$ MHz, and $f_{MOD} = 1$ kHz, the modulation depth (MODEPER) is given by equation 1:

$$MODEPER = \text{round}[10^6 / (4 \times 10^3)] = 250$$

Equation 2

Equation 2 allows to calculate the increment step (INCSTEP):

$$INCSTEP = \text{round}[(2^{15} - 1) \times md \times PLLN / (100 \times 5 \times MODEPER)]$$

f_{VCO_OUT} must be expressed in MHz.

With a modulation depth (md) = $\pm 2\%$ (4 % peak to peak), and $PLLN = 240$ (in MHz):

$$INCSTEP = \text{round}[(2^{15} - 1) \times 2 \times 240 / (100 \times 5 \times 250)] = 126md(\text{quantitized})\%$$

An amplitude quantization error may be generated because the linear modulation profile is obtained by taking the quantized values (rounded to the nearest integer) of MODPER and INCSTEP. As a result, the achieved modulation depth is quantized. The percentage quantized modulation depth is given by the following formula:

$$md_{\text{quantized}}\% = (MODEPER \times INCSTEP \times 100 \times 5) / ((2^{15} - 1) \times PLLN)$$

As a result:

$$md_{\text{quantized}}\% = (250 \times 126 \times 100 \times 5) / ((2^{15} - 1) \times 240) = 2.002\%(\text{peak})$$

Figure 34 and Figure 35 show the main PLL output clock waveforms in center spread and down spread modes, where:

- F0 is f_{PLL_OUT} nominal.
- T_{mode} is the modulation period.
- md is the modulation depth.

Figure 34. PLL output clock waveforms in center spread mode

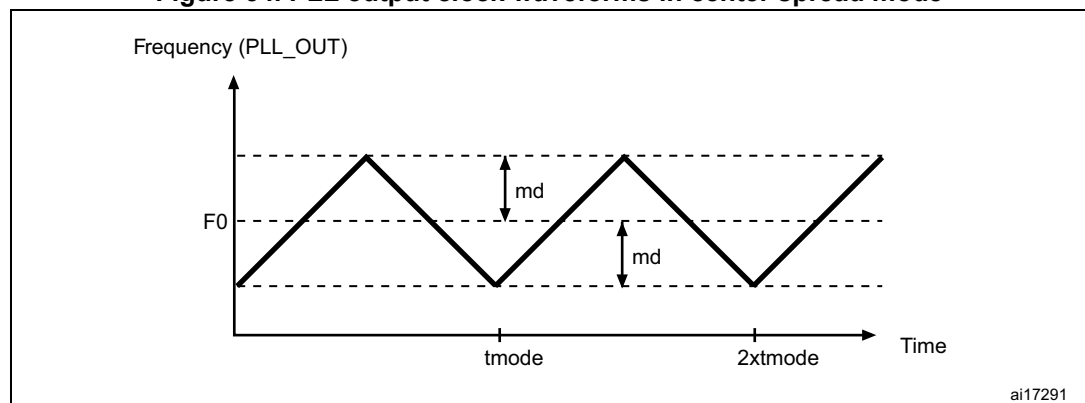
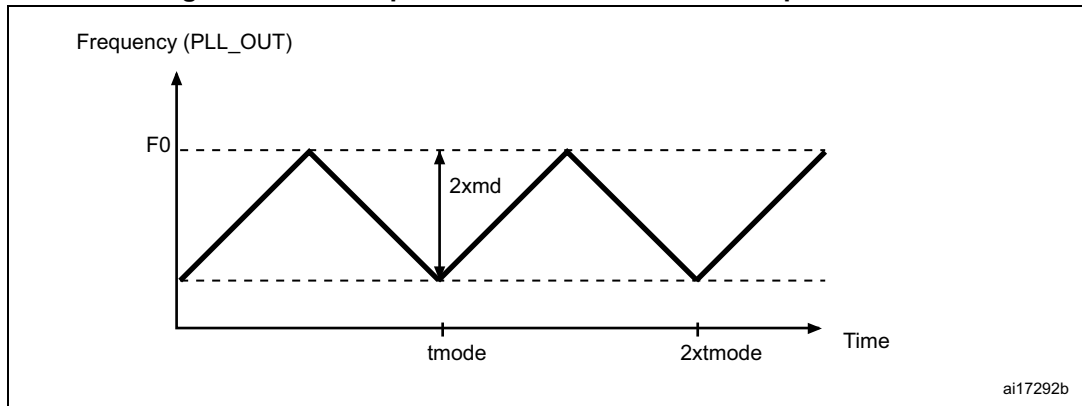


Figure 35. PLL output clock waveforms in down spread mode



6.3.13 MIPI D-PHY characteristics

The parameters given in [Table 51](#) and [Table 52](#) are derived from tests performed under temperature and V_{DD} supply voltage conditions summarized in [Table 17](#).

Table 51. MIPI D-PHY characteristics⁽¹⁾

| Symbol | Parameter | Conditions | Min | Typ | Max | Unit |
|---------------------------------------|---|------------|-----|-----|-----------------|----------|
| Hi-Speed Input/Output Characteristics | | | | | | |
| U_{INST} | UI instantaneous | - | 2 | - | 12.5 | ns |
| V_{CMTX} | HS transmit common mode voltage | - | 150 | 200 | 250 | mV |
| $ \Delta V_{CMTX} $ | V_{CMTX} mismatch when output is Differential-1 or Differential-0 | - | - | - | 5 | |
| $ V_{OD} $ | HS transmit differential voltage | - | 140 | 200 | 270 | |
| $ \Delta V_{OD} $ | V_{OD} mismatch when output is Differential-1 or Differential-0 | - | - | - | 14 | |
| V_{OHHS} | HS output high voltage | - | - | - | 360 | |
| Z_{OS} | Single ended output impedance | - | 40 | 50 | 62.5 | Ω |
| ΔZ_{OS} | Single ended output impedance mismatch | - | - | - | 10 | % |
| t_{HSr} & t_{HSf} | 20%-80% rise and fall time | - | 100 | - | $0.35 \cdot UI$ | ps |
| LP Receiver Input Characteristics | | | | | | |
| V_{IL} | Logic 0 input voltage (not in ULP State) | - | - | - | 550 | mV |
| $V_{IL-ULPS}$ | Logic 0 input voltage in ULP State | - | - | - | 300 | |
| V_{IH} | Input high level voltage | - | 880 | - | - | |
| V_{hys} | Voltage hysteresis | - | 25 | - | - | |
| LP Emitter Output Characteristics | | | | | | |

Table 51. MIPI D-PHY characteristics⁽¹⁾ (continued)

| Symbol | Parameter | Conditions | Min | Typ | Max | Unit |
|--|------------------------------------|------------|-----|-----|-----|------|
| V _{IL} | Output low level voltage | - | 1.1 | 1.2 | 1.2 | V |
| V _{IL-ULPS} | Output high level voltage | - | -50 | - | 50 | mV |
| V _{IH} | Output impedance of LP transmitter | - | 110 | - | - | Ω |
| V _{hys} | 15%-85% rise and fall time | - | - | - | 25 | ns |
| LP Contention Detector Characteristics | | | | | | |
| V _{ILCD} | Logic 0 contention threshold | - | - | - | 200 | mV |
| V _{IHCD} | Logic 0 contention threshold | - | 450 | - | - | |

1. Guaranteed based on test during characterization.

Table 52. MIPI D-PHY AC characteristics LP mode and HS/LP transitions⁽¹⁾

| Symbol | Parameter | Conditions | Min | Typ | Max | Unit |
|--|--|------------|-----|-----|-----|------|
| T _{LPX} | Transmitted length of any Low-Power state period | - | 50 | - | - | ns |
| T _{CLK-PREPARE} | Time that the transmitter drives the Clock Lane LP-00 Line state immediately before the HS-0 Line state starting the HS transmission. | - | 38 | - | 95 | |
| T _{CLK-PREPARE} + T _{CLK-ZERO} | Time that the transmitter drives the HS-0 state prior to starting the clock. | - | 300 | - | - | |
| T _{CLK-PRE} | Time that the HS clock shall be driven by the transmitter prior to any associated Data Lane beginning the transition from LP to HS mode. | - | 8 | - | - | UI |

Table 52. MIPI D-PHY AC characteristics LP mode and HS/LP transitions⁽¹⁾ (continued)

| Symbol | Parameter | Conditions | Min | Typ | Max | Unit |
|--|---|------------|--------------------------------------|-----|--------------|------|
| $T_{\text{CLK-POST}}$ | Time that the transmitter continues to send HS clock after the last associated Data Lane has transitioned to LP Mode. | - | $62+52*UI$ | - | - | ns |
| $T_{\text{CLK-TRAIL}}$ | Time that the transmitter drives the HS-0 state after the last payload clock bit of an HS transmission burst. | - | 60 | - | - | |
| $T_{\text{HS-PREPARE}}$ | Time that the transmitter drives the Data Lane LP-00 Line state immediately before the HS-0 Line state starting the HS transmission. | - | $40+4*UI$ | - | $85+6*UI$ | |
| $T_{\text{HS-PREPARE}} + T_{\text{HS-ZERO}}$ | $T_{\text{HS-PREPARE}}$ + Time that the transmitter drives the HS-0 state prior to transmitting the Sync sequence. | - | $145+10*UI$ | - | - | |
| $T_{\text{HS-TRAIL}}$ | Time that the transmitter drives the flipped differential state after last payload data bit of a HS transmission burst. | - | Max ($n*8*UI$, $60+n*4*UI$) | - | - | |
| $T_{\text{HS-EXIT}}$ | Time that the transmitter drives LP-11 following a HS burst. | - | 100 | - | - | |
| T_{REOT} | 30%-85% rise time and fall time | - | - | - | 35 | |
| T_{EOT} | Transmitted time interval from the start of $T_{\text{HS-TRAIL}}$ or $T_{\text{CLK-TRAIL}}$, to the start of the LP-11 state following a HS burst. | - | - | - | $105+n*12UI$ | |

1. Guaranteed based on test during characterization.

Figure 36. MIPI D-PHY HS/LP clock lane transition timing diagram

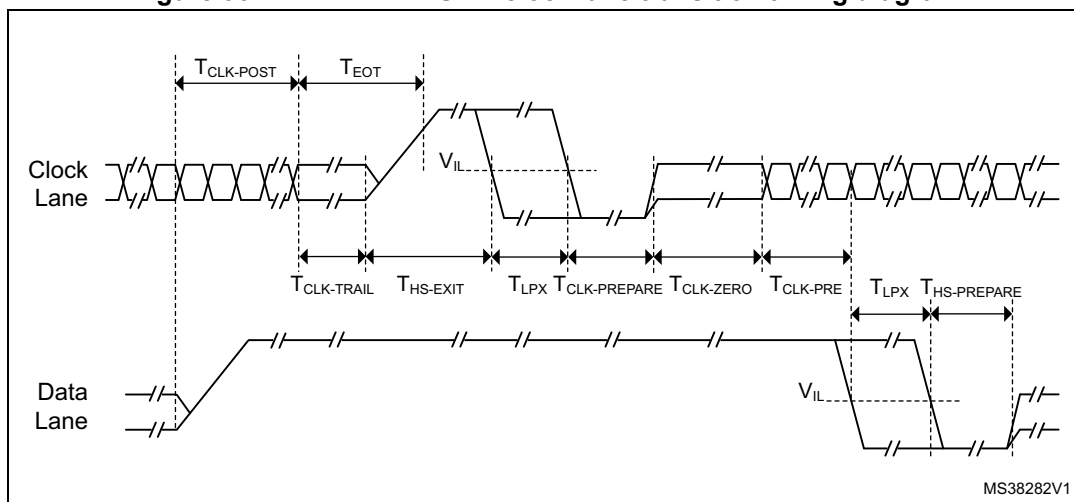
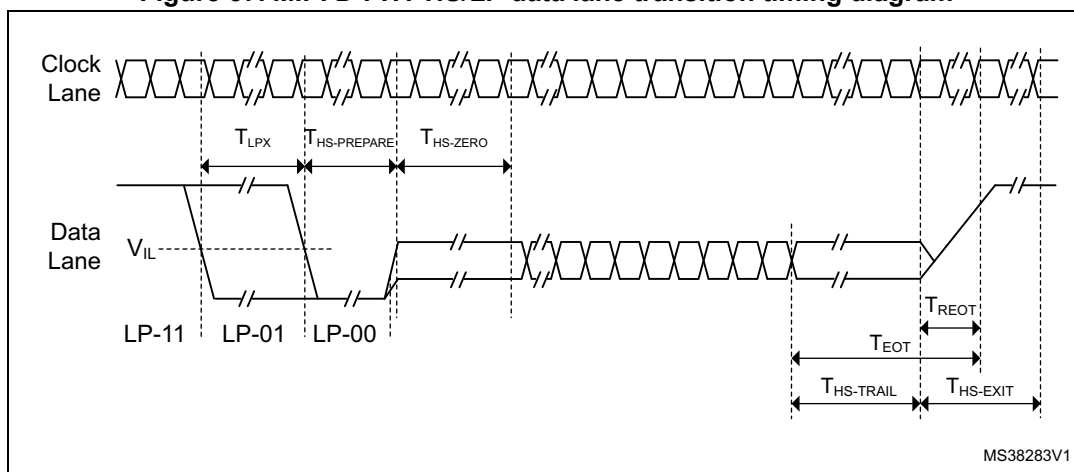


Figure 37. MIPI D-PHY HS/LP data lane transition timing diagram



6.3.14 MIPI D-PHY PLL characteristics

The parameters given in [Table 53](#) are derived from tests performed under temperature and V_{DD} supply voltage conditions summarized in [Table 17](#).

Table 53. DSI-PLL characteristics⁽¹⁾

| Symbol | Parameter | Conditions | Min | Typ | Max | Unit |
|------------------|-----------------------------|------------|-------|-----|------|---------|
| f_{PLL_IN} | PLL input clock | - | 4 | - | 100 | MHz |
| f_{PLL_INFIN} | PFD input clock | - | 4 | - | 25 | |
| f_{PLL_OUT} | PLL multiplier output clock | - | 31.25 | - | 500 | |
| f_{VCO_OUT} | PLL VCO output | - | 500 | - | 1000 | |
| t_{LOCK} | PLL lock time | - | - | - | 200 | μs |

Table 53. DSI-PLL characteristics⁽¹⁾ (continued)

| Symbol | Parameter | Conditions | Min | Typ | Max | Unit |
|----------------------|--|---------------------------------|-----|------|------|------|
| I _{DD(PLL)} | PLL power consumption on V _{DD12} | f _{VCO_OUT} = 500 MHz | - | 0.55 | 0.70 | mA |
| | | f _{VCO_OUT} = 600 MHz | - | 0.65 | 0.80 | |
| | | f _{VCO_OUT} = 1000 MHz | - | 0.95 | 1.20 | |

1. Based on test during characterization.

6.3.15 MIPI D-PHY regulator characteristics

The parameters given in [Table 54](#) are derived from tests performed under temperature and V_{DD} supply voltage conditions summarized in [Table 17](#).

Table 54. DSI regulator characteristics⁽¹⁾

| Symbol | Parameter | Conditions | Min | Typ | Max | Unit |
|-----------------------|---|---|------|------|------|------|
| V _{DD12DSI} | 1.2 V internal voltage on V _{DD12DSI} | - | 1.15 | 1.20 | 1.30 | V |
| C _{EXT} | External capacitor on V _{CAPDSI} | - | 1.1 | 2.2 | 3.3 | μF |
| ESR | External Serial Resistor | - | 0 | 25 | 600 | mΩ |
| I _{DDDSIREG} | Regulator power consumption | - | 100 | 120 | 125 | μA |
| I _{DDDSI} | DSI system (regulator, PLL and D-PHY) current consumption on V _{DDDSI} | Ultra Low Power Mode (Reg. ON + PLL OFF) | - | 290 | 600 | μA |
| | | Stop State (Reg. ON + PLL OFF) | - | 290 | 600 | |
| I _{DDDSILP} | DSI system current consumption on V _{DDDSI} in LP mode communication ⁽²⁾ | 10 MHz escape clock (Reg. ON + PLL OFF) | - | 4.3 | 5.0 | mA |
| | | 20 MHz escape clock (Reg. ON + PLL OFF) | - | 4.3 | 5.0 | |
| I _{DDDSIHS} | DSI system (regulator, PLL and D-PHY) current consumption on V _{DDDSI} in HS mode communication ⁽³⁾ | 300 Mbps - 1 data lane (Reg. ON + PLL ON) | - | 8.0 | 8.8 | mA |
| | | 300 Mbps - 2data lane (Reg. ON + PLL ON) | - | 11.4 | 12.5 | |
| | | 500 Mbps - 1 data lane (Reg. ON + PLL ON) | - | 13.5 | 14.7 | |
| | | 500 Mbps - 2data lane (Reg. ON + PLL ON) | - | 18.0 | 19.6 | |
| | DSI system (regulator, PLL and D-PHY) current consumption on V _{DDDSI} in HS mode with CLK like payload | - | 21.4 | 23.3 | | |
| t _{WAKEUP} | Startup delay | C _{EXT} = 2.2 μF | - | 110 | - | μs |
| | | C _{EXT} = 3.3 μF | - | - | 160 | |
| I _{INRUSH} | Inrush current on V _{DDDSI} | External capacitor load at start | - | 60 | 200 | mA |

1. Based on test during characterization.

2. Values based on an average traffic in LP Command Mode.

3. Values based on an average traffic (3/4 HS traffic & 1/4 LP) in Video Mode.

6.3.16 Memory characteristics

Flash memory

The characteristics are given at $T_A = -40$ to 105 °C unless otherwise specified.

The devices are shipped to customers with the Flash memory erased.

Table 55. Flash memory characteristics

| Symbol | Parameter | Conditions | Min | Typ | Max | Unit |
|----------|----------------|---|-----|-----|-----|------|
| I_{DD} | Supply current | Write / Erase 8-bit mode, $V_{DD} = 1.7$ V | - | 14 | - | mA |
| | | Write / Erase 16-bit mode, $V_{DD} = 2.1$ V | - | 17 | - | |
| | | Write / Erase 32-bit mode, $V_{DD} = 3.3$ V | - | 24 | - | |

Table 56. Flash memory programming (single bank configuration nDBANK=1)

| Symbol | Parameter | Conditions | Min ⁽¹⁾ | Typ | Max ⁽¹⁾ | Unit |
|------------------|----------------------------|---|--------------------|------|--------------------|---------|
| t_{prog} | Word programming time | Program/erase parallelism (PSIZE) = x 8/16/32 | - | 16 | 100 ⁽²⁾ | μ s |
| $t_{ERASE32KB}$ | Sector (32 KB) erase time | Program/erase parallelism (PSIZE) = x 8 | - | 400 | 800 | ms |
| | | Program/erase parallelism (PSIZE) = x 16 | - | 250 | 600 | |
| | | Program/erase parallelism (PSIZE) = x 32 | - | 200 | 500 | |
| $t_{ERASE128KB}$ | Sector (128 KB) erase time | Program/erase parallelism (PSIZE) = x 8 | - | 1100 | 2400 | ms |
| | | Program/erase parallelism (PSIZE) = x 16 | - | 800 | 1400 | |
| | | Program/erase parallelism (PSIZE) = x 32 | - | 500 | 1100 | |
| $t_{ERASE256KB}$ | Sector (256 KB) erase time | Program/erase parallelism (PSIZE) = x 8 | - | 2.1 | 4 | s |
| | | Program/erase parallelism (PSIZE) = x 16 | - | 1.5 | 2.6 | |
| | | Program/erase parallelism (PSIZE) = x 32 | - | 1 | 2 | |
| t_{ME} | Mass erase time | Program/erase parallelism (PSIZE) = x 8 | - | 16 | 32 | s |
| | | Program/erase parallelism (PSIZE) = x 16 | - | 11 | 22 | |
| | | Program/erase parallelism (PSIZE) = x 32 | - | 8 | 16 | |

Table 56. Flash memory programming (single bank configuration nDBANK=1) (continued)

| Symbol | Parameter | Conditions | Min ⁽¹⁾ | Typ | Max ⁽¹⁾ | Unit |
|-------------------|---------------------|--------------------------|--------------------|-----|--------------------|------|
| V _{prog} | Programming voltage | 32-bit program operation | 2.7 | - | 3 | V |
| | | 16-bit program operation | 2.1 | - | 3.6 | V |
| | | 8-bit program operation | 1.7 | - | 3.6 | V |

1. Guaranteed by characterization results.
2. The maximum programming time is measured after 100K erase operations.

Table 57. Flash memory programming (dual bank configuration nDBANK=0)

| Symbol | Parameter | Conditions | Min ⁽¹⁾ | Typ | Max ⁽¹⁾ | Unit |
|-------------------------|----------------------------|---|--------------------|------|--------------------|------|
| t _{prog} | Word programming time | Program/erase parallelism (PSIZE) = x 8/16/32 | - | 16 | 100 ⁽²⁾ | µs |
| t _{ERASE16KB} | Sector (16 KB) erase time | Program/erase parallelism (PSIZE) = x 8 | - | 400 | 800 | ms |
| | | Program/erase parallelism (PSIZE) = x 16 | - | 250 | 600 | |
| | | Program/erase parallelism (PSIZE) = x 32 | - | 200 | 500 | |
| t _{ERASE64KB} | Sector (64 KB) erase time | Program/erase parallelism (PSIZE) = x 8 | - | 1100 | 2400 | ms |
| | | Program/erase parallelism (PSIZE) = x 16 | - | 800 | 1400 | |
| | | Program/erase parallelism (PSIZE) = x 32 | - | 500 | 1100 | |
| t _{ERASE128KB} | Sector (128 KB) erase time | Program/erase parallelism (PSIZE) = x 8 | - | 2.1 | 4 | s |
| | | Program/erase parallelism (PSIZE) = x 16 | - | 1.5 | 2.6 | |
| | | Program/erase parallelism (PSIZE) = x 32 | - | 1 | 2 | |
| t _{ME} | Mass erase time | Program/erase parallelism (PSIZE) = x 8 | - | 16 | 32 | s |
| | | Program/erase parallelism (PSIZE) = x 16 | - | 11 | 22 | |
| | | Program/erase parallelism (PSIZE) = x 32 | - | 8 | 16 | |

Table 57. Flash memory programming (dual bank configuration nDBANK=0) (continued)

| Symbol | Parameter | Conditions | Min ⁽¹⁾ | Typ | Max ⁽¹⁾ | Unit |
|-------------------|---------------------|--|--------------------|-----|--------------------|------|
| t _{BE} | Bank erase time | Program/erase parallelism (PSIZE) = x 8 | - | 16 | 32 | s |
| | | Program/erase parallelism (PSIZE) = x 16 | - | 11 | 22 | |
| | | Program/erase parallelism (PSIZE) = x 32 | - | 8 | 16 | |
| V _{prog} | Programming voltage | 32-bit program operation | 2.7 | - | 3 | V |
| | | 16-bit program operation | 2.1 | - | 3.6 | V |
| | | 8-bit program operation | 1.7 | - | 3.6 | V |

1. Guaranteed by characterization results.
2. The maximum programming time is measured after 100K erase operations.

Table 58. Flash memory programming with V_{PP}

| Symbol | Parameter | Conditions | Min ⁽¹⁾ | Typ | Max ⁽¹⁾ | Unit |
|---------------------------------|---|--|--------------------|-----|--------------------|------|
| t _{prog} | Double word programming | T _A = 0 to +40 °C V _{DD} = 3.3 V V _{PP} = 8.5 V | - | 16 | 100 ⁽²⁾ | μs |
| t _{ERASE32KB} | Sector (32 KB) erase time | | - | 180 | - | ms |
| t _{ERASE128KB} | Sector (128 KB) erase time | | - | 450 | - | |
| t _{ERASE256KB} | Sector (256 KB) erase time | | - | 900 | - | |
| t _{ME} | Mass erase time | - | - | 6.9 | - | s |
| V _{prog} | Programming voltage | - | 2.7 | - | 3.6 | V |
| V _{PP} | V _{PP} voltage range | - | 7 | - | 9 | V |
| I _{PP} | Minimum current sunk on the V _{PP} pin | - | 10 | - | - | mA |
| t _{VPP} ⁽³⁾ | Cumulative time during which V _{PP} is applied | - | - | - | 1 | hour |

1. Guaranteed by design.
2. The maximum programming time is measured after 100K erase operations.
3. V_{PP} should only be connected during programming/erasing.

Table 59. Flash memory endurance and data retention

| Symbol | Parameter | Conditions | Value | Unit |
|------------------|----------------|---|--------------------|---------|
| | | | Min ⁽¹⁾ | |
| N _{END} | Endurance | T _A = -40 to +85 °C (6 suffix versions) T _A = -40 to +105 °C (7 suffix versions) | 10 | kcycles |
| t _{RET} | Data retention | 1 kcycle ⁽²⁾ at T _A = 85 °C | 30 | Years |
| | | 1 kcycle ⁽²⁾ at T _A = 105 °C | 10 | |
| | | 10 kcycles ⁽²⁾ at T _A = 55 °C | 20 | |

1. Guaranteed by characterization results.
2. Cycling performed over the whole temperature range.

6.3.17 EMC characteristics

Susceptibility tests are performed on a sample basis during device characterization.

Functional EMS (electromagnetic susceptibility)

While a simple application is executed on the device (toggling 2 LEDs through I/O ports), the device is stressed by two electromagnetic events until a failure occurs. The failure is indicated by the LEDs:

- **Electrostatic discharge (ESD)** (positive and negative) is applied to all device pins until a functional disturbance occurs. This test is compliant with the IEC 61000-4-2 standard.
- **FTB**: A burst of fast transient voltage (positive and negative) is applied to V_{DD} and V_{SS} through a 100 pF capacitor, until a functional disturbance occurs. This test is compliant with the IEC 61000-4-4 standard.

A device reset allows normal operations to be resumed.

The test results are given in [Table 60](#). They are based on the EMS levels and classes defined in application note AN1709.

Table 60. EMS characteristics

| Symbol | Parameter | Conditions | Level/Class |
|------------|---|---|-------------|
| V_{FESD} | Voltage limits to be applied on any I/O pin to induce a functional disturbance | $V_{DD} = 3.3\text{ V}$, $T_A = +25\text{ °C}$, $f_{HCLK} = 216\text{ MHz}$, conforms to IEC 61000-4-2 | 2B |
| V_{FTB} | Fast transient voltage burst limits to be applied through 100 pF on V_{DD} and V_{SS} pins to induce a functional disturbance | $V_{DD} = 3.3\text{ V}$, $T_A = +25\text{ °C}$, $f_{HCLK} = 168\text{ MHz}$, conforms to IEC 61000-4-2 | 5A |

As a consequence, it is recommended to add a serial resistor (1 k Ω) located as close as possible to the MCU to the pins exposed to noise (connected to tracks longer than 50 mm on PCB).

Designing hardened software to avoid noise problems

EMC characterization and optimization are performed at component level with a typical application environment and simplified MCU software. It should be noted that good EMC performance is highly dependent on the user application and the software in particular.

Therefore it is recommended that the user applies EMC software optimization and prequalification tests in relation with the EMC level requested for his application.

Software recommendations

The software flowchart must include the management of runaway conditions such as:

- Corrupted program counter
- Unexpected reset
- Critical Data corruption (control registers...)

Prequalification trials

Most of the common failures (unexpected reset and program counter corruption) can be reproduced by manually forcing a low state on the NRST pin or the Oscillator pins for 1 second.

To complete these trials, ESD stress can be applied directly on the device, over the range of specification values. When unexpected behavior is detected, the software can be hardened to prevent unrecoverable errors occurring (see application note AN1015).

Electromagnetic Interference (EMI)

The electromagnetic field emitted by the device are monitored while a simple application, executing EEMBC code, is running. This emission test is compliant with SAE IEC61967-2 standard which specifies the test board and the pin loading.

Table 61. EMI characteristics

| Symbol | Parameter | Conditions | Monitored frequency band | Max vs. [f _{HSE} /f _{CPU}] | Unit |
|------------------|------------|--|--------------------------|---|------|
| | | | | 8/200 MHz | |
| S _{EMI} | Peak level | V _{DD} = 3.6 V, T _A = 25 °C, TFBGA216 package, conforming to IEC61967-2 ART/L1-cache ON, over-drive ON, all peripheral clocks enabled, clock dithering disabled. | 0.1 to 30 MHz | 5 | dBμV |
| | | | 30 to 130 MHz | 10 | |
| | | | 130 MHz to 1 GHz | 18 | |
| | | | 1 GHz to 2 GHz | 10 | |
| | | | EMI Level | 3.5 | |
| | | V _{DD} = 3.6 V, T _A = 25 °C, TFBGA216 package, conforming to IEC61967-2 ART/L1-cache ON, over-drive ON, all peripheral clocks enabled, clock dithering enabled. | 0.1 to 30 MHz | 2 | dBμV |
| | | | 30 to 130 MHz | 9 | |
| | | | 130 MHz to 1 GHz | 14 | |
| | | | 1 GHz to 2 GHz | 9 | |
| | | | EMI Level | 3 | |

6.3.18 Absolute maximum ratings (electrical sensitivity)

Based on three different tests (ESD, LU) using specific measurement methods, the device is stressed in order to determine its performance in terms of electrical sensitivity.

Electrostatic discharge (ESD)

Electrostatic discharges (a positive then a negative pulse separated by 1 second) are applied to the pins of each sample according to each pin combination. The sample size depends on the number of supply pins in the device (3 parts × (n+1) supply pins). This test conforms to the ANSI/ESDA/JEDEC JS-001-2012 and ANSI/ESD S5.3.1-2009 standards.

Table 62. ESD absolute maximum ratings

| Symbol | Ratings | Conditions | Class | Maximum value ⁽¹⁾ | Unit |
|----------------|---|--|-------|------------------------------|------|
| $V_{ESD(HBM)}$ | Electrostatic discharge voltage (human body model) | $T_A = +25\text{ °C}$ conforming to ANSI/ESDA/JEDEC JS-001-2012 | 2 | 2000 | V |
| $V_{ESD(CDM)}$ | Electrostatic discharge voltage (charge device model) | $T_A = +25\text{ °C}$ conforming to ANSI/ESD S5.3.1-2009, all packages except TFBGA100 | 3 | 250 | |
| | | $T_A = +25\text{ °C}$ conforming to ANSI/ESD S5.3.1-2009, TFBGA100 package | 4 | 500 | |

1. Guaranteed by characterization results.

Static latchup

Two complementary static tests are required on six parts to assess the latchup performance:

- A supply overvoltage is applied to each power supply pin
- A current injection is applied to each input, output and configurable I/O pin

These tests are compliant with EIA/JESD 78A IC latchup standard.

Table 63. Electrical sensitivities

| Symbol | Parameter | Conditions | Class |
|--------|-----------------------|--|------------|
| LU | Static latch-up class | $T_A = +105\text{ °C}$ conforming to JESD78A | II level A |

6.3.19 I/O current injection characteristics

As a general rule, a current injection to the I/O pins, due to external voltage below V_{SS} or above V_{DD} (for standard, 3 V-capable I/O pins) should be avoided during the normal product operation. However, in order to give an indication of the robustness of the microcontroller in cases when an abnormal injection accidentally happens, susceptibility tests are performed on a sample basis during the device characterization.

Functional susceptibility to I/O current injection

While a simple application is executed on the device, the device is stressed by injecting current into the I/O pins programmed in floating input mode. While current is injected into the I/O pin, one at a time, the device is checked for functional failures.

The failure is indicated by an out of range parameter: ADC error above a certain limit (>5 LSB TUE), out of conventional limits of induced leakage current on adjacent pins (out of $-5\text{ }\mu\text{A}/+0\text{ }\mu\text{A}$ range), or other functional failure (for example reset, oscillator frequency deviation).

A negative induced leakage current is caused by negative injection and positive induced leakage current by positive injection.

The test results are given in [Table 64](#).

Table 64. I/O current injection susceptibility

| Symbol | Description | Functional susceptibility | | Unit |
|------------------|---|---------------------------|--------------------|------|
| | | Negative injection | Positive injection | |
| I _{INJ} | Injected current on BOOT0, DSI_D0P, DSI_D0N, DSI_D1P, DSI_D1N, DSI_CKP, DSI_CKN pin | - 0 | 0 | mA |
| | Injected current on NRST pin | - 0 | NA ⁽¹⁾ | |
| | Injected current on PC0, PC2, PH1_OSCOUT pins | - 0 | NA ⁽¹⁾ | |
| | Injected current on any other FT pin | - 5 | NA ⁽¹⁾ | |
| | Injected current on any other pins | - 5 | +5 | |

1. Injection is not possible.

Note: It is recommended to add a Schottky diode (pin to ground) to analog pins which may potentially inject negative currents.

6.3.20 I/O port characteristics

General input/output characteristics

Unless otherwise specified, the parameters given in [Table 65: I/O static characteristics](#) are derived from tests performed under the conditions summarized in [Table 17](#). All I/Os are CMOS and TTL compliant.

Table 65. I/O static characteristics

| Symbol | Parameter | Conditions | Min | Typ | Max | Unit |
|------------------|--|--|-----|-----|---|------|
| V _{IL} | FT, TTa and NRST I/O input low level voltage | 1.7 V ≤ V _{DD} ≤ 3.6 V | - | - | 0.35V _{DD} - 0.04 ⁽¹⁾ | V |
| | | | | | 0.3V _{DD} ⁽²⁾ | |
| | BOOT I/O input low level voltage | 1.75 V ≤ V _{DD} ≤ 3.6 V, -40 °C ≤ T _A ≤ 105 °C | - | - | 0.1V _{DD} + 0.1 ⁽¹⁾ | |
| | | 1.7 V ≤ V _{DD} ≤ 3.6 V, 0 °C ≤ T _A ≤ 105 °C | - | - | | |
| V _{IH} | FT, TTa and NRST I/O input high level voltage ⁽⁵⁾ | 1.7 V ≤ V _{DD} ≤ 3.6 V | | - | 0.45V _{DD} + 0.3 ⁽¹⁾ | V |
| | | | | | 0.7V _{DD} ⁽²⁾ | |
| | BOOT I/O input high level voltage | 1.75 V ≤ V _{DD} ≤ 3.6 V, -40 °C ≤ T _A ≤ 105 °C | | | 0.17V _{DD} + 0.7 ⁽¹⁾ | |
| | | 1.7 V ≤ V _{DD} ≤ 3.6 V, 0 °C ≤ T _A ≤ 105 °C | | | | |
| V _{HYS} | FT, TTa and NRST I/O input hysteresis | 1.7 V ≤ V _{DD} ≤ 3.6 V | | - | - | V |
| | | | | | 10%V _{DD} ⁽³⁾ | |
| | BOOT I/O input hysteresis | 1.75 V ≤ V _{DD} ≤ 3.6 V, -40 °C ≤ T _A ≤ 105 °C | | | | |
| | | 1.7 V ≤ V _{DD} ≤ 3.6 V, 0 °C ≤ T _A ≤ 105 °C | 0.1 | - | - | |

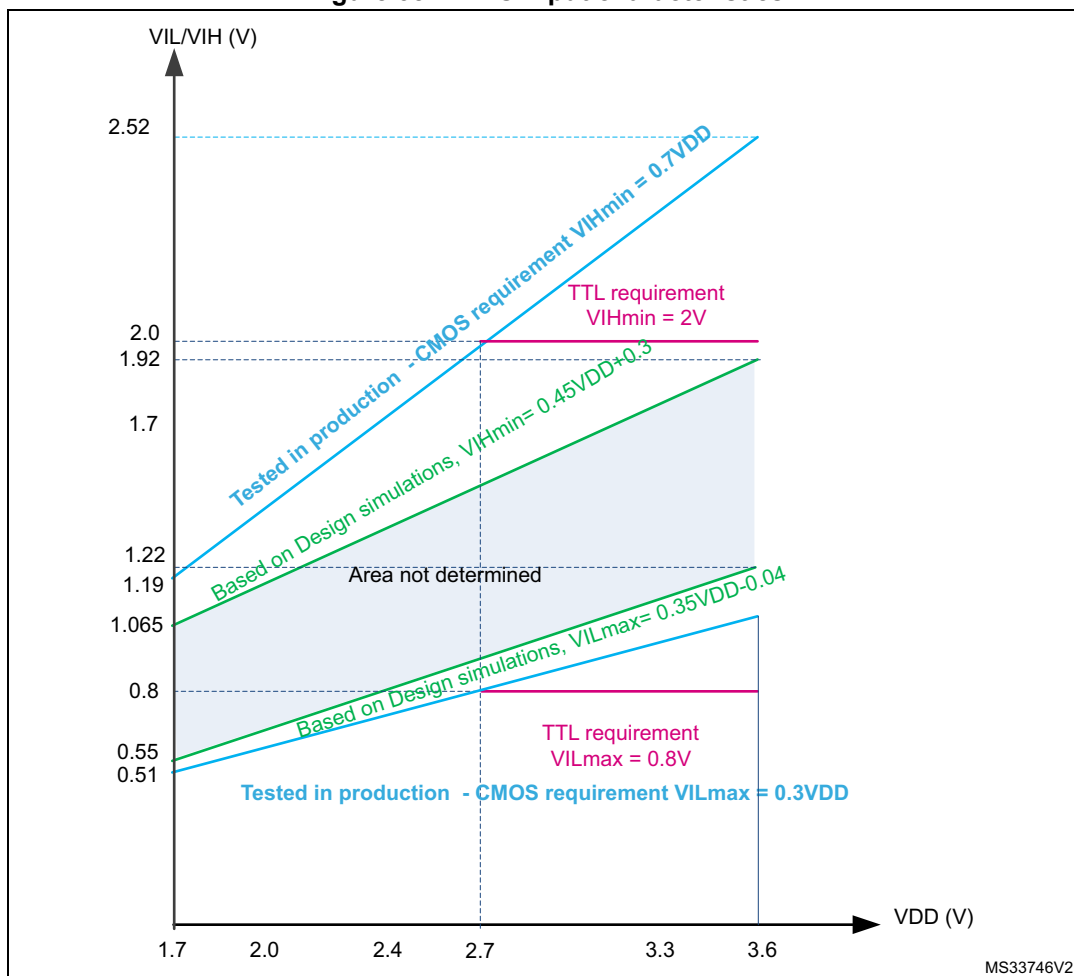
Table 65. I/O static characteristics (continued)

| Symbol | Parameter | | Conditions | Min | Typ | Max | Unit |
|--------------------------------|---|--|----------------------------------|-----|-----|-----|------|
| I _{Ikg} | I/O input leakage current ⁽⁴⁾ | | $V_{SS} \leq V_{IN} \leq V_{DD}$ | - | - | ±1 | µA |
| | I/O FT input leakage current ⁽⁵⁾ | | $V_{IN} = 5\text{ V}$ | - | - | 3 | |
| R _{PU} | Weak pull-up equivalent resistor ⁽⁶⁾ | All pins except for PA10/PB12 (OTG_FS_ID, OTG_HS_ID) | $V_{IN} = V_{SS}$ | 30 | 40 | 50 | kΩ |
| | | PA10/PB12 (OTG_FS_ID, OTG_HS_ID) | | 7 | 10 | 14 | |
| R _{PD} | Weak pull-down equivalent resistor ⁽⁷⁾ | All pins except for PA10/PB12 (OTG_FS_ID, OTG_HS_ID) | $V_{IN} = V_{DD}$ | 30 | 40 | 50 | |
| | | PA10/PB12 (OTG_FS_ID, OTG_HS_ID) | | 7 | 10 | 14 | |
| C _{IO} ⁽⁸⁾ | I/O pin capacitance | | - | - | 5 | - | pF |

1. Guaranteed by design.
2. Tested in production.
3. With a minimum of 200 mV.
4. Leakage could be higher than the maximum value, if negative current is injected on adjacent pins, Refer to [Table 64: I/O current injection susceptibility](#)
5. To sustain a voltage higher than VDD +0.3 V, the internal pull-up/pull-down resistors must be disabled. Leakage could be higher than the maximum value, if negative current is injected on adjacent pins. Refer to [Table 64: I/O current injection susceptibility](#)
6. Pull-up resistors are designed with a true resistance in series with a switchable PMOS. This PMOS contribution to the series resistance is minimum (~10% order).
7. Pull-down resistors are designed with a true resistance in series with a switchable NMOS. This NMOS contribution to the series resistance is minimum (~10% order).
8. Hysteresis voltage between Schmitt trigger switching levels. Guaranteed by characterization results.

All I/Os are CMOS and TTL compliant (no software configuration required). Their characteristics cover more than the strict CMOS-technology or TTL parameters. The coverage of these requirements for FT I/Os is shown in [Figure 38](#).

Figure 38. FT I/O input characteristics



Output driving current

The GPIOs (general purpose input/outputs) can sink or source up to ±8 mA, and sink or source up to ±20 mA (with a relaxed VOL/VOH) except PC13, PC14, PC15 and PI8 which can sink or source up to ±3mA. When using the PC13 to PC15 and PI8 GPIOs in output mode, the speed should not exceed 2 MHz with a maximum load of 30 pF.

In the user application, the number of I/O pins which can drive current must be limited to respect the absolute maximum rating specified in Section 6.2. In particular:

- The sum of the currents sourced by all the I/Os on VDD, plus the maximum Run consumption of the MCU sourced on VDD, cannot exceed the absolute maximum rating ΣIVDD (see Table 15).
- The sum of the currents sunk by all the I/Os on VSS plus the maximum Run consumption of the MCU sunk on VSS cannot exceed the absolute maximum rating ΣIVSS (see Table 15).

Output voltage levels

Unless otherwise specified, the parameters given in Table 66 are derived from tests performed under ambient temperature and VDD supply voltage conditions summarized in Table 17. All I/Os are CMOS and TTL compliant.

Table 66. Output voltage characteristics

| Symbol | Parameter | Conditions | Min | Max | Unit |
|----------------|--|--|----------------------|--------------------|------|
| $V_{OL}^{(1)}$ | Output low level voltage for an I/O pin | CMOS port ⁽²⁾ $I_{IO} = +8 \text{ mA}$ $2.7 \text{ V} \leq V_{DD} \leq 3.6 \text{ V}$ | - | 0.4 | V |
| $V_{OH}^{(3)}$ | Output high level voltage for an I/O pin except PC14 | CMOS port ⁽²⁾ $I_{IO} = -8 \text{ mA}$ $2.7 \text{ V} \leq V_{DD} \leq 3.6 \text{ V}$ | $V_{DD} - 0.4$ | - | |
| $V_{OH}^{(3)}$ | Output high level voltage for PC14 | CMOS port ⁽²⁾ $I_{IO} = -2 \text{ mA}$ $2.7 \text{ V} \leq V_{DD} \leq 3.6 \text{ V}$ | $V_{DD} - 0.4$ | - | |
| $V_{OL}^{(1)}$ | Output low level voltage for an I/O pin | TTL port ⁽²⁾ $I_{IO} = +8 \text{ mA}$ $2.7 \text{ V} \leq V_{DD} \leq 3.6 \text{ V}$ | - | 0.4 | V |
| $V_{OH}^{(3)}$ | Output high level voltage for an I/O pin except PC14 | TTL port ⁽²⁾ $I_{IO} = -8 \text{ mA}$ $2.7 \text{ V} \leq V_{DD} \leq 3.6 \text{ V}$ | 2.4 | - | |
| $V_{OL}^{(1)}$ | Output low level voltage for an I/O pin | $I_{IO} = +20 \text{ mA}$ $2.7 \text{ V} \leq V_{DD} \leq 3.6 \text{ V}$ | - | 1.3 ⁽⁴⁾ | V |
| $V_{OH}^{(3)}$ | Output high level voltage for an I/O pin except PC14 | $I_{IO} = -20 \text{ mA}$ $2.7 \text{ V} \leq V_{DD} \leq 3.6 \text{ V}$ | $V_{DD} - 1.3^{(4)}$ | - | |
| $V_{OL}^{(1)}$ | Output low level voltage for an I/O pin | $I_{IO} = +6 \text{ mA}$ $1.8 \text{ V} \leq V_{DD} \leq 3.6 \text{ V}$ | - | 0.4 ⁽⁴⁾ | V |
| $V_{OH}^{(3)}$ | Output high level voltage for an I/O pin except PC14 | $I_{IO} = -6 \text{ mA}$ $1.8 \text{ V} \leq V_{DD} \leq 3.6 \text{ V}$ | $V_{DD} - 0.4^{(4)}$ | - | |
| $V_{OL}^{(1)}$ | Output low level voltage for an I/O pin | $I_{IO} = +4 \text{ mA}$ $1.7 \text{ V} \leq V_{DD} \leq 3.6 \text{ V}$ | - | 0.4 ⁽⁵⁾ | V |
| $V_{OH}^{(3)}$ | Output high level voltage for an I/O pin except PC14 | $I_{IO} = -4 \text{ mA}$ $1.7 \text{ V} \leq V_{DD} \leq 3.6 \text{ V}$ | $V_{DD} - 0.4^{(5)}$ | - | |
| $V_{OH}^{(3)}$ | Output high level voltage for PC14 | $I_{IO} = -1 \text{ mA}$ $1.7 \text{ V} \leq V_{DD} \leq 3.6 \text{ V}$ | $V_{DD} - 0.4^{(5)}$ | - | |

1. The I_{IO} current sunk by the device must always respect the absolute maximum rating specified in [Table 15](#) and the sum of I_{IO} (I/O ports and control pins) must not exceed I_{VSS} .
2. TTL and CMOS outputs are compatible with JEDEC standards JESD36 and JESD52.
3. The I_{IO} current sourced by the device must always respect the absolute maximum rating specified in [Table 15](#) and the sum of I_{IO} (I/O ports and control pins) must not exceed I_{VDD} .
4. Based on characterization data.
5. Guaranteed by design.

Input/output AC characteristics

The definition and values of input/output AC characteristics are given in [Figure 39](#) and [Table 67](#), respectively.

Unless otherwise specified, the parameters given in [Table 67](#) are derived from tests performed under the ambient temperature and V_{DD} supply voltage conditions summarized in [Table 17](#).

Table 67. I/O AC characteristics⁽¹⁾⁽²⁾

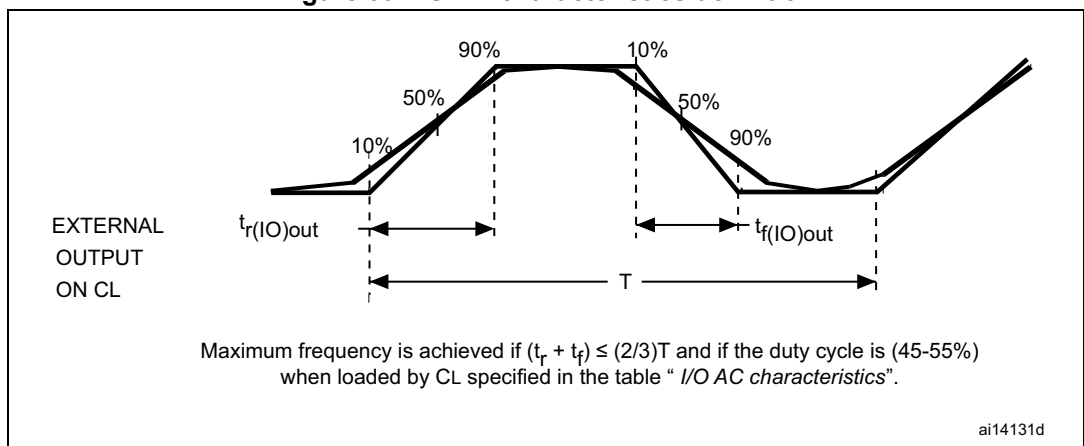
| OSPEEDRy [1:0] bit value ⁽¹⁾ | Symbol | Parameter | Conditions | Min | Typ | Max | Unit | |
|---|---|---|---|--|-----|--------------------|------|----|
| 00 | $f_{\max(\text{IO})\text{out}}$ | Maximum frequency ⁽³⁾ | $C_L = 50 \text{ pF}, V_{DD} \geq 2.7 \text{ V}$ | - | - | 4 | MHz | |
| | | | $C_L = 50 \text{ pF}, V_{DD} \geq 1.7 \text{ V}$ | - | - | 2 | | |
| | | | $C_L = 10 \text{ pF}, V_{DD} \geq 2.7 \text{ V}$ | - | - | 8 | | |
| | | | $C_L = 10 \text{ pF}, V_{DD} \geq 1.8 \text{ V}$ | - | - | 4 | | |
| | | | $C_L = 10 \text{ pF}, V_{DD} \geq 1.7 \text{ V}$ | - | - | 3 | | |
| | $t_{f(\text{IO})\text{out}}/$ $t_{r(\text{IO})\text{out}}$ | Output high to low level fall time and output low to high level rise time | $C_L = 50 \text{ pF}, V_{DD} = 1.7 \text{ V to } 3.6 \text{ V}$ | - | - | 100 | ns | |
| 01 | $f_{\max(\text{IO})\text{out}}$ | Maximum frequency ⁽³⁾ | $C_L = 50 \text{ pF}, V_{DD} \geq 2.7 \text{ V}$ | - | - | 25 | MHz | |
| | | | $C_L = 50 \text{ pF}, V_{DD} \geq 1.8 \text{ V}$ | - | - | 12.5 | | |
| | | | $C_L = 50 \text{ pF}, V_{DD} \geq 1.7 \text{ V}$ | - | - | 10 | | |
| | | | $C_L = 10 \text{ pF}, V_{DD} \geq 2.7 \text{ V}$ | - | - | 50 | | |
| | | | $C_L = 10 \text{ pF}, V_{DD} \geq 1.8 \text{ V}$ | - | - | 20 | | |
| | | | $C_L = 10 \text{ pF}, V_{DD} \geq 1.7 \text{ V}$ | - | - | 12.5 | | |
| | | $t_{f(\text{IO})\text{out}}/$ $t_{r(\text{IO})\text{out}}$ | Output high to low level fall time and output low to high level rise time | $C_L = 50 \text{ pF}, V_{DD} \geq 2.7 \text{ V}$ | - | - | 10 | ns |
| | | $C_L = 10 \text{ pF}, V_{DD} \geq 2.7 \text{ V}$ | - | - | 6 | | | |
| | | $C_L = 50 \text{ pF}, V_{DD} \geq 1.7 \text{ V}$ | - | - | 20 | | | |
| | | $C_L = 10 \text{ pF}, V_{DD} \geq 1.7 \text{ V}$ | - | - | 10 | | | |
| 10 | $f_{\max(\text{IO})\text{out}}$ | Maximum frequency ⁽³⁾ | $C_L = 40 \text{ pF}, V_{DD} \geq 2.7 \text{ V}$ | - | - | 50 ⁽⁴⁾ | MHz | |
| | | | $C_L = 10 \text{ pF}, V_{DD} \geq 2.7 \text{ V}$ | - | - | 100 ⁽⁴⁾ | | |
| | | | $C_L = 40 \text{ pF}, V_{DD} \geq 1.7 \text{ V}$ | - | - | 25 | | |
| | | | $C_L = 10 \text{ pF}, V_{DD} \geq 1.8 \text{ V}$ | - | - | 50 | | |
| | | | $C_L = 10 \text{ pF}, V_{DD} \geq 1.7 \text{ V}$ | - | - | 42.5 | | |
| | | $t_{f(\text{IO})\text{out}}/$ $t_{r(\text{IO})\text{out}}$ | Output high to low level fall time and output low to high level rise time | $C_L = 40 \text{ pF}, V_{DD} \geq 2.7 \text{ V}$ | - | - | 6 | ns |
| | | | $C_L = 10 \text{ pF}, V_{DD} \geq 2.7 \text{ V}$ | - | - | 4 | | |
| | | | $C_L = 40 \text{ pF}, V_{DD} \geq 1.7 \text{ V}$ | - | - | 10 | | |
| | | $C_L = 10 \text{ pF}, V_{DD} \geq 1.7 \text{ V}$ | - | - | 6 | | | |

Table 67. I/O AC characteristics⁽¹⁾⁽²⁾ (continued)

| OSPEEDRy [1:0] bit value ⁽¹⁾ | Symbol | Parameter | Conditions | Min | Typ | Max | Unit |
|---|--|---|---|-----|-----|--------------------|------|
| 11 | f _{max(IO)out} | Maximum frequency ⁽³⁾ | C _L = 30 pF, V _{DD} ≥ 2.7 V | - | - | 100 ⁽⁴⁾ | MHz |
| | | | C _L = 30 pF, V _{DD} ≥ 1.8 V | - | - | 50 | |
| | | | C _L = 30 pF, V _{DD} ≥ 1.7 V | - | - | 42.5 | |
| | | | C _L = 10 pF, V _{DD} ≥ 2.7 V | - | - | 180 ⁽⁴⁾ | |
| | | | C _L = 10 pF, V _{DD} ≥ 1.8 V | - | - | 100 | |
| | | | C _L = 10 pF, V _{DD} ≥ 1.7 V | - | - | 72.5 | |
| | t _{f(IO)out} / t _{r(IO)out} | Output high to low level fall time and output low to high level rise time | C _L = 30 pF, V _{DD} ≥ 2.7 V | - | - | 4 | ns |
| | | | C _L = 30 pF, V _{DD} ≥ 1.8 V | - | - | 6 | |
| | | | C _L = 30 pF, V _{DD} ≥ 1.7 V | - | - | 7 | |
| | | | C _L = 10 pF, V _{DD} ≥ 2.7 V | - | - | 2.5 | |
| | | | C _L = 10 pF, V _{DD} ≥ 1.8 V | - | - | 3.5 | |
| | | | C _L = 10 pF, V _{DD} ≥ 1.7 V | - | - | 4 | |
| - | tEXTIpw | Pulse width of external signals detected by the EXTI controller | - | 10 | - | - | ns |

1. Guaranteed by design.
2. The I/O speed is configured using the OSPEEDRy[1:0] bits. Refer to the STM32F76xxx and STM32F77xxx reference manual for a description of the GPIOx_SPEEDR GPIO port output speed register.
3. The maximum frequency is defined in [Figure 39](#).
4. For maximum frequencies above 50 MHz and V_{DD} > 2.4 V, the compensation cell should be used.

Figure 39. I/O AC characteristics definition



6.3.21 NRST pin characteristics

The NRST pin input driver uses CMOS technology. It is connected to a permanent pull-up resistor, R_{PU} (see [Table 65: I/O static characteristics](#)).

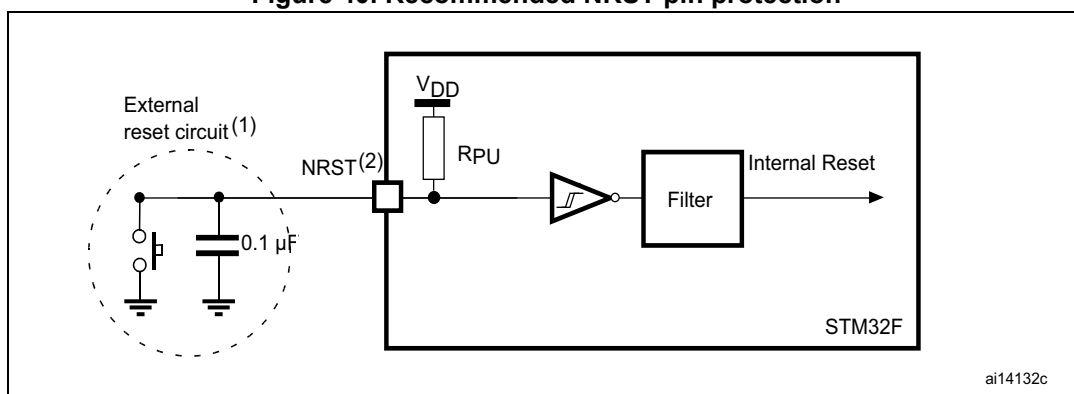
Unless otherwise specified, the parameters given in [Table 68](#) are derived from tests performed under the ambient temperature and V_{DD} supply voltage conditions summarized in [Table 17](#).

Table 68. NRST pin characteristics

| Symbol | Parameter | Conditions | Min | Typ | Max | Unit |
|-------------------------------|---|-----------------------|-----|-----|-----|------------|
| R_{PU} | Weak pull-up equivalent resistor ⁽¹⁾ | $V_{IN} = V_{SS}$ | 30 | 40 | 50 | k Ω |
| $V_{F(NRST)}$ ⁽²⁾ | NRST Input filtered pulse | - | - | - | 100 | ns |
| $V_{NF(NRST)}$ ⁽²⁾ | NRST Input not filtered pulse | $V_{DD} > 2.7 V$ | 300 | - | - | ns |
| T_{NRST_OUT} | Generated reset pulse duration | Internal Reset source | 20 | - | - | μs |

1. The pull-up is designed with a true resistance in series with a switchable PMOS. This PMOS contribution to the series resistance must be minimum (~10% order).
2. Guaranteed by design.

Figure 40. Recommended NRST pin protection



1. The reset network protects the device against parasitic resets. 0.1 μF capacitor must be placed as close as possible to the chip.
2. The user must ensure that the level on the NRST pin can go below the $V_{IL(NRST)}$ max level specified in [Table 65](#). Otherwise the reset is not taken into account by the device.

6.3.22 TIM timer characteristics

The parameters given in [Table 69](#) are guaranteed by design.

Refer to [Section 6.3.20: I/O port characteristics](#) for details on the input/output alternate function characteristics (output compare, input capture, external clock, PWM output).

Table 69. TIMx characteristics⁽¹⁾⁽²⁾

| Symbol | Parameter | Conditions ⁽³⁾ | Min | Max | Unit |
|------------------|--|---|-----|----------------------|---------------|
| $t_{res(TIM)}$ | Timer resolution time | AHB/APBx prescaler=1 or 2 or 4, $f_{TIMxCLK} = 216$ MHz | 1 | - | $t_{TIMxCLK}$ |
| | | AHB/APBx prescaler>4, $f_{TIMxCLK} = 100$ MHz | 1 | - | $t_{TIMxCLK}$ |
| f_{EXT} | Timer external clock frequency on CH1 to CH4 | $f_{TIMxCLK} = 216$ MHz | 0 | $f_{TIMxCLK}/2$ | MHz |
| Res_{TIM} | Timer resolution | | - | 16/32 | bit |
| t_{MAX_COUNT} | Maximum possible count with 32-bit counter | - | - | 65536×65536 | $t_{TIMxCLK}$ |

1. TIMx is used as a general term to refer to the TIM1 to TIM12 timers.
2. Guaranteed by design.
3. The maximum timer frequency on APB1 or APB2 is up to 216 MHz, by setting the TIMPRE bit in the RCC_DCKCFGR register, if APBx prescaler is 1 or 2 or 4, then $TIMxCLK = HCLK$, otherwise $TIMxCLK = 4 \times PCLKx$.

6.3.23 RTC characteristics

Table 70. RTC characteristics

| Symbol | Parameter | Conditions | Min | Max |
|--------|------------------------------------|--|-----|-----|
| - | $f_{PCLK1}/RTCCLK$ frequency ratio | Any read/write operation from/to an RTC register | 4 | - |

6.3.24 12-bit ADC characteristics

Unless otherwise specified, the parameters given in [Table 71](#) are derived from tests performed under the ambient temperature, f_{PCLK2} frequency and V_{DDA} supply voltage conditions summarized in [Table 17](#).

Table 71. ADC characteristics

| Symbol | Parameter | Conditions | Min | Typ | Max | Unit |
|------------|----------------------------|--------------------------------|--------------------|-----|-----------|------|
| V_{DDA} | Power supply | $V_{DDA} - V_{REF+} < 1.2$ V | 1.7 ⁽¹⁾ | - | 3.6 | V |
| V_{REF+} | Positive reference voltage | | 1.7 ⁽¹⁾ | - | V_{DDA} | V |
| f_{ADC} | ADC clock frequency | $V_{DDA} = 1.7^{(1)}$ to 2.4 V | 0.6 | 15 | 18 | MHz |
| | | $V_{DDA} = 2.4$ to 3.6 V | 0.6 | 30 | 36 | MHz |

Table 71. ADC characteristics (continued)

| Symbol | Parameter | Conditions | Min | Typ | Max | Unit |
|------------------------------------|--|--|---|-----|-------------------|--------------------|
| f _{TRIG} ⁽²⁾ | External trigger frequency | f _{ADC} = 30 MHz, 12-bit resolution | - | - | 1764 | kHz |
| | | - | - | - | 17 | 1/f _{ADC} |
| V _{AIN} | Conversion voltage range ⁽³⁾ | - | 0 (V _{SSA} or V _{REF} - tied to ground) | - | V _{REF+} | V |
| R _{AIN} ⁽²⁾ | External input impedance | See Equation 1 for details | - | - | 50 | kΩ |
| R _{ADC} ⁽²⁾⁽⁴⁾ | Sampling switch resistance | - | 1.5 | - | 6 | kΩ |
| C _{ADC} ⁽²⁾ | Internal sample and hold capacitor | - | - | 4 | 7 | pF |
| t _{lat} ⁽²⁾ | Injection trigger conversion latency | f _{ADC} = 30 MHz | - | - | 0.100 | μs |
| | | - | - | - | 3 ⁽⁵⁾ | 1/f _{ADC} |
| t _{latr} ⁽²⁾ | Regular trigger conversion latency | f _{ADC} = 30 MHz | - | - | 0.067 | μs |
| | | - | - | - | 2 ⁽⁵⁾ | 1/f _{ADC} |
| t _S ⁽²⁾ | Sampling time | f _{ADC} = 30 MHz | 0.100 | - | 16 | μs |
| | | - | 3 | - | 480 | 1/f _{ADC} |
| t _{STAB} ⁽²⁾ | Power-up time | - | - | 2 | 3 | μs |
| t _{CONV} ⁽²⁾ | Total conversion time (including sampling time) | f _{ADC} = 30 MHz 12-bit resolution | 0.50 | - | 16.40 | μs |
| | | f _{ADC} = 30 MHz 10-bit resolution | 0.43 | - | 16.34 | μs |
| | | f _{ADC} = 30 MHz 8-bit resolution | 0.37 | - | 16.27 | μs |
| | | f _{ADC} = 30 MHz 6-bit resolution | 0.30 | - | 16.20 | μs |
| | | 9 to 492 (t _S for sampling +n-bit resolution for successive approximation) | | | | |
| f _S ⁽²⁾ | Sampling rate (f _{ADC} = 36 MHz, and t _S = 3 ADC cycles) | 12-bit resolution Single ADC | - | - | 2.4 | MspS |
| | | 12-bit resolution Interleave Dual ADC mode | - | - | 4.5 | MspS |
| | | 12-bit resolution Interleave Triple ADC mode | - | - | 7.2 | MspS |

Table 71. ADC characteristics (continued)

| Symbol | Parameter | Conditions | Min | Typ | Max | Unit |
|----------------------|---|------------|-----|-----|-----|---------|
| $I_{V_{REF+}}^{(2)}$ | ADC V_{REF} DC current consumption in conversion mode | - | - | 300 | 500 | μ A |
| $I_{V_{DDA}}^{(2)}$ | ADC V_{DDA} DC current consumption in conversion mode | - | - | 1.6 | 1.8 | mA |

- V_{DDA} minimum value of 1.7 V is obtained with the use of an external power supply supervisor (refer to [Section 3.18.2: Internal reset OFF](#)).
- Guaranteed by characterization results.
- V_{REF+} is internally connected to V_{DDA} and V_{REF-} is internally connected to V_{SSA} .
- R_{ADC} maximum value is given for $V_{DD}=1.7$ V, and minimum value for $V_{DD}=3.3$ V.
- For external triggers, a delay of $1/f_{PCLK2}$ must be added to the latency specified in [Table 71](#).

Equation 1: R_{AIN} max formula

$$R_{AIN} = \frac{(k - 0.5)}{f_{ADC} \times C_{ADC} \times \ln(2^{N+2})} - R_{ADC}$$

The formula above ([Equation 1](#)) is used to determine the maximum external impedance allowed for an error below 1/4 of LSB. N = 12 (from 12-bit resolution) and k is the number of sampling periods defined in the ADC_SMPR1 register.

Table 72. ADC static accuracy at $f_{ADC} = 18$ MHz

| Symbol | Parameter | Test conditions | Typ | Max ⁽¹⁾ | Unit |
|--------|------------------------------|---|---------|--------------------|------|
| ET | Total unadjusted error | $f_{ADC} = 18$ MHz $V_{DDA} = 1.7$ to 3.6 V $V_{REF} = 1.7$ to 3.6 V $V_{DDA} - V_{REF} < 1.2$ V | ± 3 | ± 4 | LSB |
| EO | Offset error | | ± 2 | ± 3 | |
| EG | Gain error | | ± 1 | ± 3 | |
| ED | Differential linearity error | | ± 1 | ± 2 | |
| EL | Integral linearity error | | ± 2 | ± 3 | |

- Guaranteed by characterization results.

Table 73. ADC static accuracy at $f_{ADC} = 30$ MHz

| Symbol | Parameter | Test conditions | Typ | Max ⁽¹⁾ | Unit |
|--------|------------------------------|---|-----------|--------------------|------|
| ET | Total unadjusted error | $f_{ADC} = 30$ MHz, $R_{AIN} < 10$ k Ω , $V_{DDA} = 2.4$ to 3.6 V, $V_{REF} = 1.7$ to 3.6 V, $V_{DDA} - V_{REF} < 1.2$ V | ± 2 | ± 5 | LSB |
| EO | Offset error | | ± 1.5 | ± 2.5 | |
| EG | Gain error | | ± 1.5 | ± 4 | |
| ED | Differential linearity error | | ± 1 | ± 2 | |
| EL | Integral linearity error | | ± 1.5 | ± 3 | |

- Guaranteed by characterization results.

Table 74. ADC static accuracy at $f_{ADC} = 36$ MHz

| Symbol | Parameter | Test conditions | Typ | Max ⁽¹⁾ | Unit |
|--------|------------------------------|---|-----|--------------------|------|
| ET | Total unadjusted error | $f_{ADC} = 36$ MHz, $V_{DDA} = 2.4$ to 3.6 V, $V_{REF} = 1.7$ to 3.6 V $V_{DDA} - V_{REF} < 1.2$ V | ±4 | ±7 | LSB |
| EO | Offset error | | ±2 | ±3 | |
| EG | Gain error | | ±3 | ±6 | |
| ED | Differential linearity error | | ±2 | ±3 | |
| EL | Integral linearity error | | ±3 | ±6 | |

1. Guaranteed by characterization results.

Table 75. ADC dynamic accuracy at $f_{ADC} = 18$ MHz - limited test conditions⁽¹⁾

| Symbol | Parameter | Test conditions | Min | Typ | Max | Unit |
|--------|--------------------------------------|---|------|------|-----|------|
| ENOB | Effective number of bits | $f_{ADC} = 18$ MHz $V_{DDA} = V_{REF+} = 1.7$ V Input Frequency = 20 KHz Temperature = 25 °C | 10.3 | 10.4 | - | bits |
| SINAD | Signal-to-noise and distortion ratio | | 64 | 64.2 | - | dB |
| SNR | Signal-to-noise ratio | | 64 | 65 | - | |
| THD | Total harmonic distortion | | - 67 | - 72 | - | |

1. Guaranteed by characterization results.

Table 76. ADC dynamic accuracy at $f_{ADC} = 36$ MHz - limited test conditions⁽¹⁾

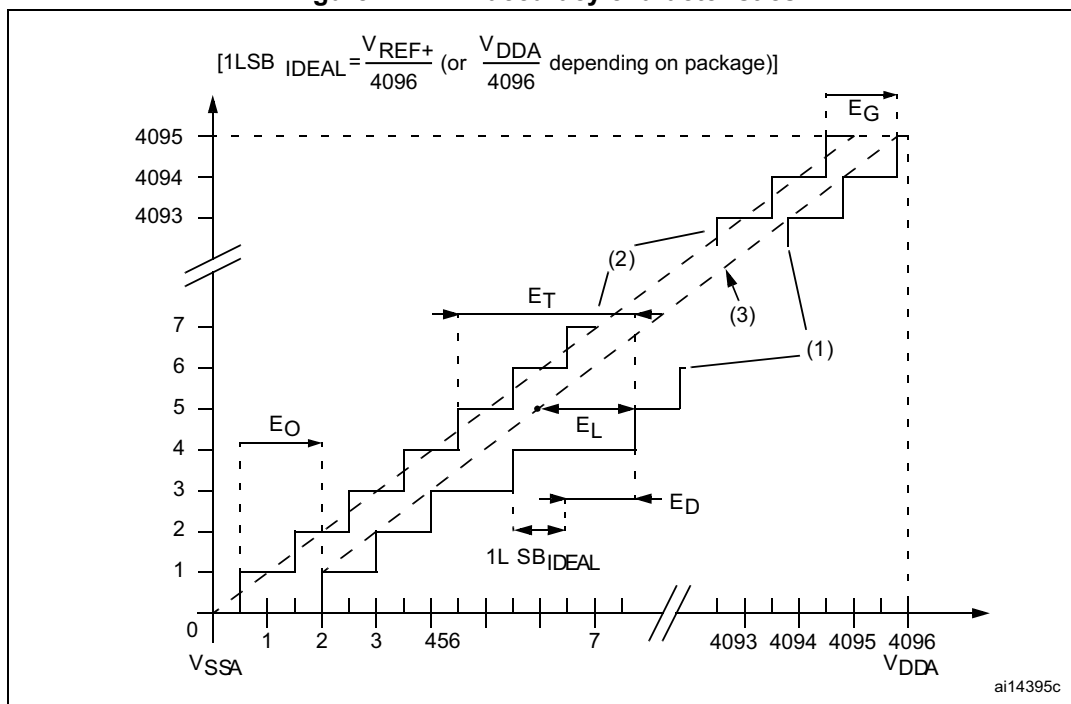
| Symbol | Parameter | Test conditions | Min | Typ | Max | Unit |
|--------|--------------------------------------|---|------|------|-----|------|
| ENOB | Effective number of bits | $f_{ADC} = 36$ MHz $V_{DDA} = V_{REF+} = 3.3$ V Input Frequency = 20 KHz Temperature = 25 °C | 10.6 | 10.8 | - | bits |
| SINAD | Signal-to noise and distortion ratio | | 66 | 67 | - | dB |
| SNR | Signal-to noise ratio | | 64 | 68 | - | |
| THD | Total harmonic distortion | | - 70 | - 72 | - | |

1. Guaranteed by characterization results.

Note: ADC accuracy vs. negative injection current: injecting a negative current on any analog input pins should be avoided as this significantly reduces the accuracy of the conversion being performed on another analog input. It is recommended to add a Schottky diode (pin to ground) to analog pins which may potentially inject negative currents.

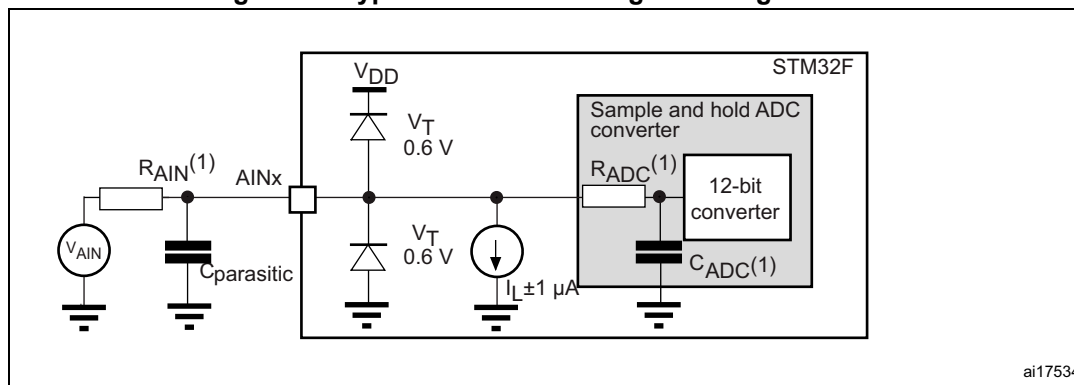
Any positive injection current within the limits specified for $I_{INJ(PIN)}$ and $\Sigma I_{INJ(PIN)}$ in [Section 6.3.20](#) does not affect the ADC accuracy.

Figure 41. ADC accuracy characteristics



1. See also [Table 73](#).
2. Example of an actual transfer curve.
3. Ideal transfer curve.
4. End point correlation line.
5. E_T = Total Unadjusted Error: maximum deviation between the actual and the ideal transfer curves.
 E_O = Offset Error: deviation between the first actual transition and the first ideal one.
 E_G = Gain Error: deviation between the last ideal transition and the last actual one.
 E_D = Differential Linearity Error: maximum deviation between actual steps and the ideal one.
 E_L = Integral Linearity Error: maximum deviation between any actual transition and the end point correlation line.

Figure 42. Typical connection diagram using the ADC

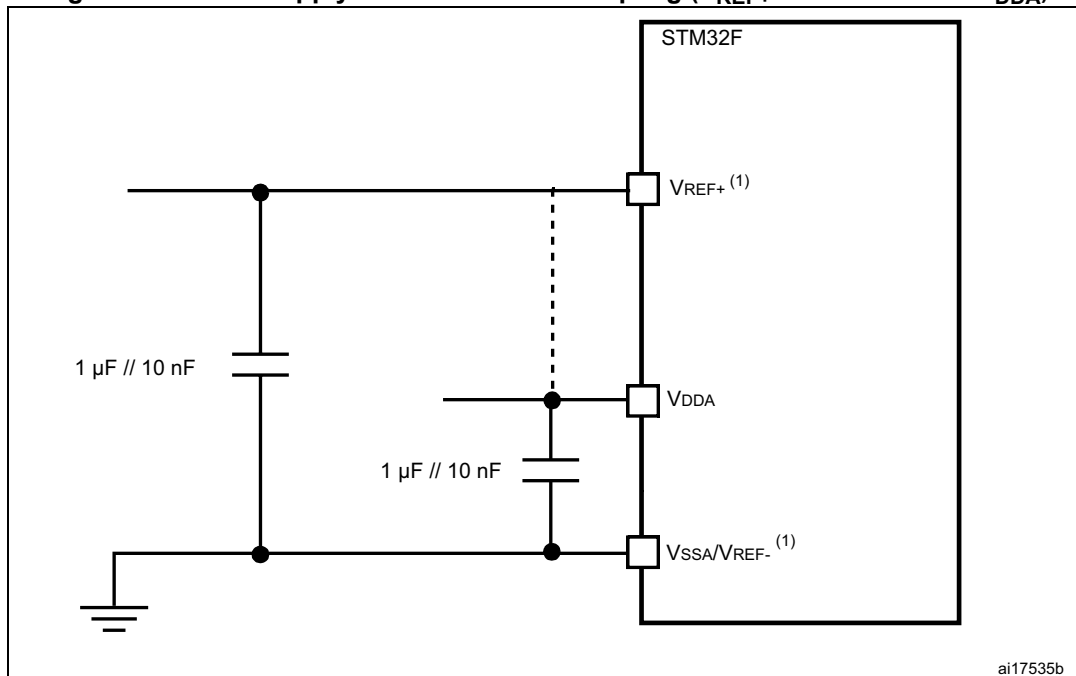


1. Refer to [Table 71](#) for the values of R_{AIN} , R_{ADC} and C_{ADC} .
2. $C_{parasitic}$ represents the capacitance of the PCB (dependent on soldering and PCB layout quality) plus the pad capacitance (roughly 5 pF). A high $C_{parasitic}$ value downgrades conversion accuracy. To remedy this, f_{ADC} should be reduced.

General PCB design guidelines

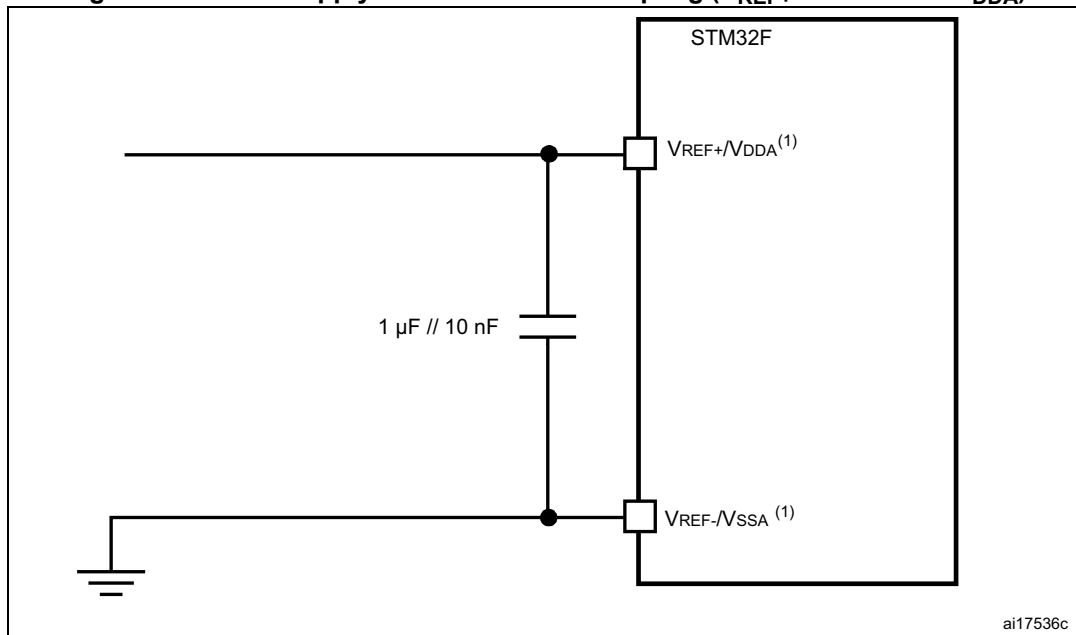
Power supply decoupling should be performed as shown in *Figure 43* or *Figure 44*, depending on whether V_{REF+} is connected to V_{DDA} or not. The 10 nF capacitors should be ceramic (good quality). They should be placed them as close as possible to the chip.

Figure 43. Power supply and reference decoupling (V_{REF+} not connected to V_{DDA})



1. V_{REF+} input is available on all packages except TFBGA100 whereas the V_{REF-} is available only on UFBGA176 and TFBGA216. When V_{REF-} is not available, it is internally connected to V_{DDA} and V_{SSA} .

Figure 44. Power supply and reference decoupling (V_{REF+} connected to V_{DDA})



1. V_{REF+} input is available on all packages except TFBGA100 whereas the V_{REF-} is available only on UFBGA176 and TFBGA216. When V_{REF-} is not available, it is internally connected to V_{DDA} and V_{SSA} .

6.3.25 Temperature sensor characteristics

Table 77. Temperature sensor characteristics

| Symbol | Parameter | Min | Typ | Max | Unit |
|--------------------------|--|-----|---------|---------|------------------------|
| $T_L^{(1)}$ | V_{SENSE} linearity with temperature | - | ± 1 | ± 2 | $^{\circ}\text{C}$ |
| Avg_Slope ⁽¹⁾ | Average slope | - | 2.5 | - | mV/ $^{\circ}\text{C}$ |
| $V_{25}^{(1)}$ | Voltage at 25 $^{\circ}\text{C}$ | - | 0.76 | - | V |
| $t_{START}^{(2)}$ | Startup time | - | 6 | 10 | μs |
| $T_{S_temp}^{(2)}$ | ADC sampling time when reading the temperature (1 $^{\circ}\text{C}$ accuracy) | 10 | - | - | μs |

1. Guaranteed by characterization results.
2. Guaranteed by design.

Table 78. Temperature sensor calibration values

| Symbol | Parameter | Memory address |
|---------|--|---------------------------|
| TS_CAL1 | TS ADC raw data acquired at temperature of 30 $^{\circ}\text{C}$, $V_{DDA} = 3.3\text{ V}$ | 0x1FF0 F44C - 0x1FF0 F44D |
| TS_CAL2 | TS ADC raw data acquired at temperature of 110 $^{\circ}\text{C}$, $V_{DDA} = 3.3\text{ V}$ | 0x1FF0 F44E - 0x1FF0 F44F |

6.3.26 V_{BAT} monitoring characteristics

Table 79. V_{BAT} monitoring characteristics

| Symbol | Parameter | Min | Typ | Max | Unit |
|------------------------|---|-----|-----|-----|---------------|
| R | Resistor bridge for V_{BAT} | - | 50 | - | K Ω |
| Q | Ratio on V_{BAT} measurement | - | 4 | - | - |
| $E_r^{(1)}$ | Error on Q | -1 | - | +1 | % |
| $T_{S_vbat}^{(2)(2)}$ | ADC sampling time when reading the V_{BAT} 1 mV accuracy | 5 | - | - | μs |

1. Guaranteed by design.
2. Shortest sampling time can be determined in the application by multiple iterations.

6.3.27 Reference voltage

The parameters given in [Table 80](#) are derived from tests performed under ambient temperature and V_{DD} supply voltage conditions summarized in [Table 17](#).

Table 80. internal reference voltage

| Symbol | Parameter | Conditions | Min | Typ | Max | Unit |
|------------------------|---|--|------|------|------|---------------|
| V_{REFINT} | Internal reference voltage | $-40\text{ }^{\circ}\text{C} < T_A < +105\text{ }^{\circ}\text{C}$ | 1.18 | 1.21 | 1.24 | V |
| $T_{S_vrefint}^{(1)}$ | ADC sampling time when reading the internal reference voltage | - | 10 | - | - | μs |
| $V_{REFINT_s}^{(2)}$ | Internal reference voltage spread over the temperature range | $V_{DD} = 3\text{V} \pm 10\text{mV}$ | - | 3 | 5 | mV |

Table 80. internal reference voltage (continued)

| Symbol | Parameter | Conditions | Min | Typ | Max | Unit |
|--------------------------|-------------------------|------------|-----|-----|-----|--------|
| $T_{\text{Coeff}}^{(2)}$ | Temperature coefficient | - | - | 30 | 50 | ppm/°C |
| $t_{\text{START}}^{(2)}$ | Startup time | - | - | 6 | 10 | µs |

- Shortest sampling time can be determined in the application by multiple iterations.
- Guaranteed by design.

Table 81. Internal reference voltage calibration values

| Symbol | Parameter | Memory address |
|-------------------------|--|---------------------------|
| $V_{\text{REFIN_CAL}}$ | Raw data acquired at temperature of 30 °C $V_{\text{DDA}} = 3.3 \text{ V}$ | 0x1FF0 F44A - 0x1FF0 F44B |

6.3.28 DAC electrical characteristics

Table 82. DAC characteristics

| Symbol | Parameter | Min | Typ | Max | Unit | Comments | |
|----------------------------|--|-------------------------------|-----|---------------------------------|------|--|---|
| V_{DDA} | Analog supply voltage | 1.7 ⁽¹⁾ | - | 3.6 | V | - | |
| $V_{\text{REF+}}$ | Reference supply voltage | 1.7 ⁽¹⁾ | - | 3.6 | V | $V_{\text{REF+}} \leq V_{\text{DDA}}$ | |
| V_{SSA} | Ground | 0 | - | 0 | V | - | |
| $R_{\text{LOAD}}^{(2)}$ | Resistive load with buffer ON | Connected to V_{SSA} | 5 | - | - | kΩ | - |
| | | Connected to V_{DDA} | 25 | - | - | | |
| $R_{\text{O}}^{(2)}$ | Impedance output with buffer OFF | - | - | 15 | kΩ | When the buffer is OFF, the Minimum resistive load between DAC_OUT and V_{SS} to have a 1% accuracy is 1.5 MΩ | |
| $C_{\text{LOAD}}^{(2)}$ | Capacitive load | - | - | 50 | pF | Maximum capacitive load at DAC_OUT pin (when the buffer is ON). | |
| DAC_OUT min ⁽²⁾ | Lower DAC_OUT voltage with buffer ON | 0.2 | - | - | V | It gives the maximum output excursion of the DAC. It corresponds to 12-bit input code (0x0E0) to (0xF1C) at $V_{\text{REF+}} = 3.6 \text{ V}$ and (0x1C7) to (0xE38) at $V_{\text{REF+}} = 1.7 \text{ V}$ | |
| DAC_OUT max ⁽²⁾ | Higher DAC_OUT voltage with buffer ON | - | - | $V_{\text{DDA}} - 0.2$ | V | | |
| DAC_OUT min ⁽²⁾ | Lower DAC_OUT voltage with buffer OFF | - | 0.5 | - | mV | It gives the maximum output excursion of the DAC. | |
| DAC_OUT max ⁽²⁾ | Higher DAC_OUT voltage with buffer OFF | - | - | $V_{\text{REF+}} - 1\text{LSB}$ | V | | |

Table 82. DAC characteristics (continued)

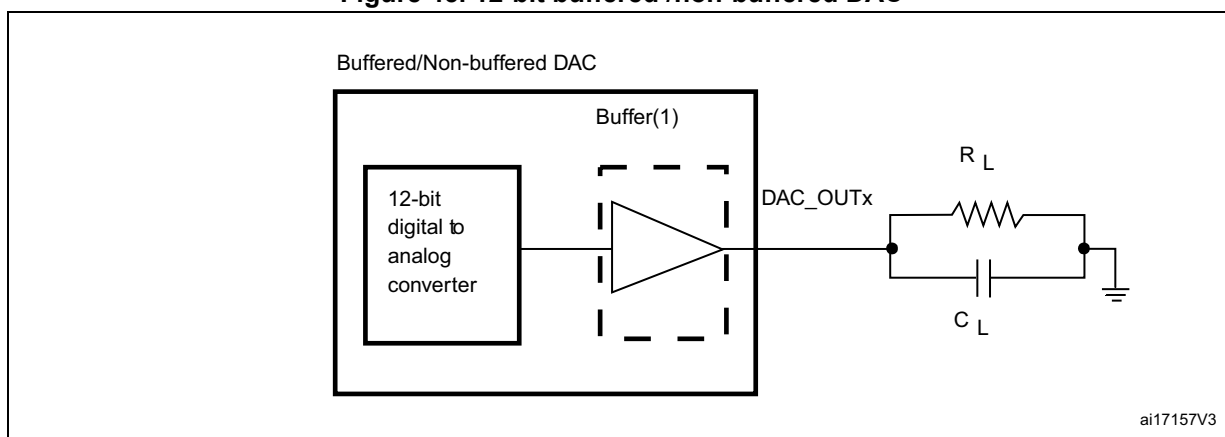
| Symbol | Parameter | Min | Typ | Max | Unit | Comments |
|----------------------------|--|-----|-----|-----------|---------|---|
| $I_{VREF+}^{(4)}$ | DAC DC V_{REF} current consumption in quiescent mode (Standby mode) | - | 170 | 240 | μA | With no load, worst code (0x800) at $V_{REF+} = 3.6 V$ in terms of DC consumption on the inputs |
| | | - | 50 | 75 | | With no load, worst code (0xF1C) at $V_{REF+} = 3.6 V$ in terms of DC consumption on the inputs |
| $I_{DDA}^{(4)}$ | DAC DC V_{DDA} current consumption in quiescent mode ⁽³⁾ | - | 280 | 380 | μA | With no load, middle code (0x800) on the inputs |
| | | - | 475 | 625 | μA | With no load, worst code (0xF1C) at $V_{REF+} = 3.6 V$ in terms of DC consumption on the inputs |
| DNL ⁽⁴⁾ | Differential non linearity Difference between two consecutive code-1LSB) | - | - | ± 0.5 | LSB | Given for the DAC in 10-bit configuration. |
| | | - | - | ± 2 | LSB | Given for the DAC in 12-bit configuration. |
| INL ⁽⁴⁾ | Integral non linearity (difference between measured value at Code i and the value at Code i on a line drawn between Code 0 and last Code 1023) | - | - | ± 1 | LSB | Given for the DAC in 10-bit configuration. |
| | | - | - | ± 4 | LSB | Given for the DAC in 12-bit configuration. |
| Offset ⁽⁴⁾ | Offset error (difference between measured value at Code (0x800) and the ideal value = $V_{REF+}/2$) | - | - | ± 10 | mV | Given for the DAC in 12-bit configuration |
| | | - | - | ± 3 | LSB | Given for the DAC in 10-bit at $V_{REF+} = 3.6 V$ |
| | | - | - | ± 12 | LSB | Given for the DAC in 12-bit at $V_{REF+} = 3.6 V$ |
| Gain error ⁽⁴⁾ | Gain error | - | - | ± 0.5 | % | Given for the DAC in 12-bit configuration |
| $t_{SETTLING}^{(4)}$ | Settling time (full scale: for a 10-bit input code transition between the lowest and the highest input codes when DAC_OUT reaches final value $\pm 4LSB$) | - | 3 | 6 | μs | $C_{LOAD} \leq 50 pF$, $R_{LOAD} \geq 5 k\Omega$ |
| THD ⁽⁴⁾ | Total Harmonic Distortion Buffer ON | - | - | - | dB | $C_{LOAD} \leq 50 pF$, $R_{LOAD} \geq 5 k\Omega$ |
| Update rate ⁽²⁾ | Max frequency for a correct DAC_OUT change when small variation in the input code (from code i to i+1LSB) | - | - | 1 | MS/s | $C_{LOAD} \leq 50 pF$, $R_{LOAD} \geq 5 k\Omega$ |

Table 82. DAC characteristics (continued)

| Symbol | Parameter | Min | Typ | Max | Unit | Comments |
|----------------------|--|-----|-----|-----|---------|---|
| $t_{WAKEUP}^{(4)}$ | Wakeup time from off state (Setting the ENx bit in the DAC Control register) | - | 6.5 | 10 | μs | $C_{LOAD} \leq 50 \text{ pF}$, $R_{LOAD} \geq 5 \text{ k}\Omega$ input code between lowest and highest possible ones. |
| PSRR+ ⁽²⁾ | Power supply rejection ratio (to V_{DDA}) (static DC measurement) | - | -67 | -40 | dB | No R_{LOAD} , $C_{LOAD} = 50 \text{ pF}$ |

- V_{DDA} minimum value of 1.7 V is obtained with the use of an external power supply supervisor (refer to [Section 3.18.2: Internal reset OFF](#)).
- Guaranteed by design.
- The quiescent mode corresponds to a state where the DAC maintains a stable output level to ensure that no dynamic consumption occurs.
- Guaranteed by characterization results.

Figure 45. 12-bit buffered /non-buffered DAC



- The DAC integrates an output buffer that can be used to reduce the output impedance and to drive external loads directly without the use of an external operational amplifier. The buffer can be bypassed by configuring the BOFFx bit in the DAC_CR register.

6.3.29 Communications interfaces

I²C interface characteristics

The I²C interface meets the timings requirements of the I²C-bus specification and user manual rev. 03 for:

- Standard-mode (Sm): with a bit rate up to 100 kbit/s
- Fast-mode (Fm): with a bit rate up to 400 kbit/s.
- Fast-mode Plus (Fm+): with a bit rate up to 1Mbit/s.

The I²C timings requirements are guaranteed by design when the I2C peripheral is properly configured (refer to RM0410 reference manual) and when the I2CCLK frequency is greater than the minimum shown in the table below:

Table 83. Minimum I2CCLK frequency in all I2C modes

| Symbol | Parameter | Condition | | Min | Unit |
|-----------|------------------|----------------|----------------------------|-----|------|
| f(I2CCLK) | I2CCLK frequency | Standard-mode | - | 2 | MHz |
| | | Fast-mode | Analog filter ON DNF=0 | 8 | |
| | | | Analog filter OFF DNF=1 | 9 | |
| | | Fast-mode Plus | Analog filter ON DNF=0 | 16 | |
| | | | Analog filter OFF DNF=1 | 16 | |

The SDA and SCL I/O requirements are met with the following restrictions:

- The SDA and SCL I/O pins are not “true” open-drain. When configured as open-drain, the PMOS connected between the I/O pin and V_{DD} is disabled, but is still present.
- The 20mA output drive requirement in Fast-mode Plus is not supported. This limits the maximum load C_{load} supported in Fm+, which is given by these formulas:

$$Tr(SDA/SCL)=0.8473 \times R_p \times C_{load}$$

$$R_p(\min) = (V_{DD} - V_{OL}(\max)) / I_{OL}(\max)$$

Where R_p is the I2C lines pull-up. Refer to [Section 6.3.20: I/O port characteristics](#) for the I2C I/Os characteristics.

All I²C SDA and SCL I/Os embed an analog filter. Refer to [Table 84](#) for the analog filter characteristics:

Table 84. I2C analog filter characteristics⁽¹⁾

| Symbol | Parameter | Min | Max | Unit |
|-----------------|--|-------------------|-------------------|------|
| t _{AF} | Maximum pulse width of spikes that are suppressed by the analog filter | 50 ⁽²⁾ | 70 ⁽³⁾ | ns |

1. Guaranteed by characterization results.
2. Spikes with widths below t_{AF(min)} are filtered.
3. Spikes with widths above t_{AF(max)} are not filtered.

SPI interface characteristics

Unless otherwise specified, the parameters given in [Table 85](#) for the SPI interface are derived from tests performed under the ambient temperature, f_{PCLKx} frequency and V_{DD} supply voltage conditions summarized in [Table 17](#), with the following configuration:

- Output speed is set to $\text{OSPEEDRy}[1:0] = 11$
- Capacitive load $C = 30 \text{ pF}$
- Measurement points are done at CMOS levels: $0.5V_{\text{DD}}$

Refer to [Section 6.3.20: I/O port characteristics](#) for more details on the input/output alternate function characteristics (NSS, SCK, MOSI, MISO for SPI).

Table 85. SPI dynamic characteristics⁽¹⁾

| Symbol | Parameter | Conditions | Min | Typ | Max | Unit |
|--|-----------------------|--|---------------------------|-------------------|-----------------------|------|
| f_{SCK} $1/t_{\text{c(SCK)}}$ | SPI clock frequency | Master mode SPI1,4,5,6 $2.7 \leq V_{\text{DD}} \leq 3.6$ | - | - | 54 ⁽²⁾ | MHz |
| | | Master mode SPI1,4,5,6 $1.71 \leq V_{\text{DD}} \leq 3.6$ | | | 27 | |
| | | Master transmitter mode SPI1,4,5,6 $1.71 \leq V_{\text{DD}} \leq 3.6$ | | | 54 | |
| | | Slave receiver mode SPI1,4,5,6 $1.71 \leq V_{\text{DD}} \leq 3.6$ | | | 54 | |
| | | Slave mode transmitter/full duplex SPI1,4,5,6 $2.7 \leq V_{\text{DD}} \leq 3.6$ | | | 50 ⁽³⁾ | |
| | | Slave mode transmitter/full duplex SPI1,4,5,6 $1.71 \leq V_{\text{DD}} \leq 3.6$ | | | 37 ⁽³⁾ | |
| | | Master & Slave mode SPI2,3 $1.71 \leq V_{\text{DD}} \leq 3.6$ | | | 27 | |
| $t_{\text{su(NSS)}}$ | NSS setup time | Slave mode, SPI presc = 2 | $4 \cdot T_{\text{PLCK}}$ | - | - | ns |
| $t_{\text{h(NSS)}}$ | NSS hold time | Slave mode, SPI presc = 2 | $2 \cdot T_{\text{PLCK}}$ | - | - | |
| $t_{\text{w(SCKH)}}$ $t_{\text{w(SCKL)}}$ | SCK high and low time | Master mode | $T_{\text{PLCK}} - 2$ | T_{PLCK} | $T_{\text{PLCK}} + 2$ | |

Table 85. SPI dynamic characteristics⁽¹⁾ (continued)

| Symbol | Parameter | Conditions | Min | Typ | Max | Unit |
|----------|--------------------------|-----------------------------|-----|-----|------|------|
| tsu(MI) | Data input setup time | Master mode | 5 | - | - | ns |
| tsu(SI) | | Slave mode | 4.5 | - | - | |
| th(MI) | Data input hold time | Master mode | 2 | - | - | |
| th(SI) | | Slave mode | 2 | - | - | |
| ta(SO) | Data output access time | Slave mode | 7 | - | 21 | |
| tdis(SO) | Data output disable time | Slave mode | 5 | - | 12 | |
| tv(SO) | Data output valid time | Slave mode 2.7≤VDD≤3.6V | - | 6.5 | 10 | |
| | | Slave mode 1.71≤VDD≤3.6V | - | 6.5 | 13.5 | |
| tv(MO) | | Master mode | - | 2 | 6 | |
| th(SO) | Data output hold time | Slave mode 1.71≤VDD≤3.6V | 4.5 | - | - | |
| th(MO) | | Master mode | 0 | - | - | |

1. Guaranteed by characterization results.
2. Excepting SPI1 with SCK IO pin mapped on PA5. In this configuration, Maximum achievable frequency is 40MHz.
3. Maximum Frequency of Slave Transmitter is determined by sum of Tv(SO) and Tsu(MI) intervals which has to fit into SCK level phase preceding the SCK sampling edge. This value can be achieved when it communicates with a Master having Tsu(MI)=0 while signal Duty(SCK)=50%.
4. Only for SPI6.

Figure 46. SPI timing diagram - slave mode and CPHA = 0

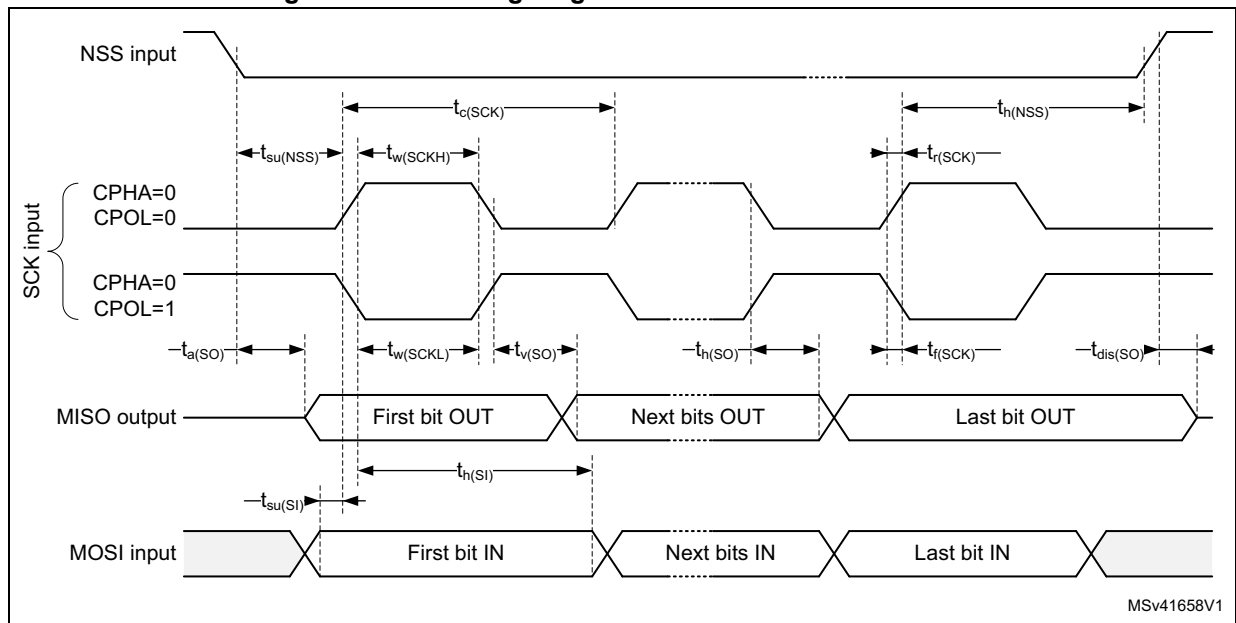
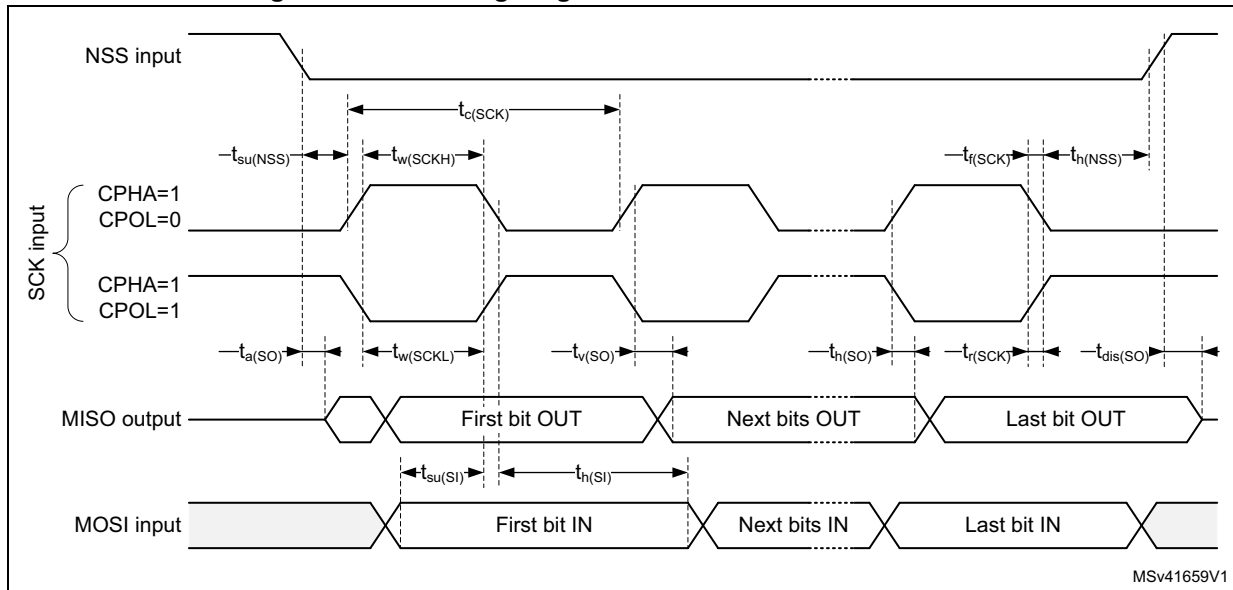
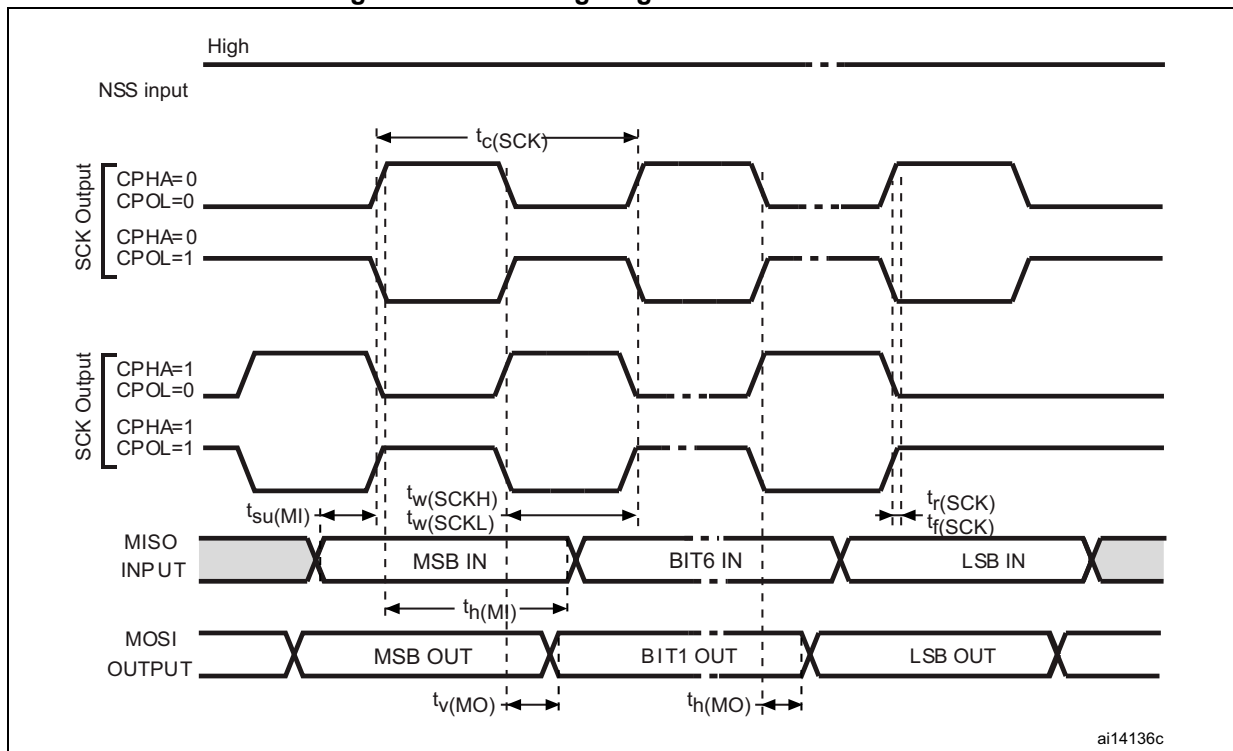


Figure 47. SPI timing diagram - slave mode and CPHA = 1⁽¹⁾



1. Measurement points are done at 0.5V_{DD} and with external C_L = 30 pF.

Figure 48. SPI timing diagram - master mode⁽¹⁾



1. Measurement points are done at 0.5V_{DD} and with external C_L = 30 pF.

I²S interface characteristics

Unless otherwise specified, the parameters given in [Table 86](#) for the I²S interface are derived from tests performed under the ambient temperature, f_{PCLKx} frequency and V_{DD} supply voltage conditions summarized in [Table 17](#), with the following configuration:

- Output speed is set to OSPEEDRy[1:0] = 10
- Capacitive load C = 30 pF
- Measurement points are done at CMOS levels: $0.5V_{DD}$

Refer to [Section 6.3.20: I/O port characteristics](#) for more details on the input/output alternate function characteristics (CK, SD, WS).

Table 86. I²S dynamic characteristics⁽¹⁾

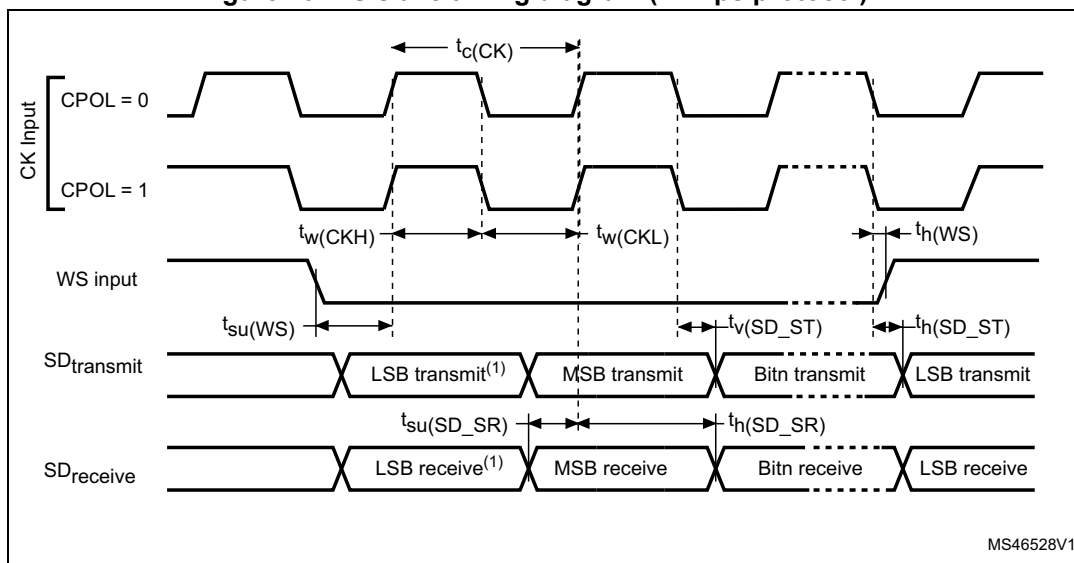
| Symbol | Parameter | Conditions | Min | Max | Unit |
|------------------|--------------------------------|--|--------|---------------------------|------|
| f_{MCK} | I2S Main clock output | - | 256x8K | 256x F_S ⁽²⁾ | MHz |
| f_{CK} | I2S clock frequency | Master data | - | 64x F_S | MHz |
| | | Slave data | - | 64x F_S | |
| D_{CK} | I2S clock frequency duty cycle | Slave receiver | 30 | 70 | % |
| $t_{v(WS)}$ | WS valid time | Master mode | - | 3 | ns |
| $t_{h(WS)}$ | WS hold time | Master mode | 0 | - | |
| $t_{su(WS)}$ | WS setup time | Slave mode | 5 | - | |
| $t_{h(WS)}$ | WS hold time | Slave mode | 2 | - | |
| $t_{su(SD_MR)}$ | Data input setup time | Master receiver | 2.5 | - | |
| $t_{su(SD_SR)}$ | | Slave receiver | 2.5 | - | |
| $t_{h(SD_MR)}$ | Data input hold time | Master receiver | 3.5 | - | |
| $t_{h(SD_SR)}$ | | Slave receiver | 2 | - | |
| $t_{v(SD_ST)}$ | Data output valid time | Slave transmitter (after enable edge) | - | 12 | |
| $t_{v(SD_MT)}$ | | Master transmitter (after enable edge) | - | 3 | |
| $t_{h(SD_ST)}$ | Data output hold time | Slave transmitter (after enable edge) | 5 | - | |
| $t_{h(SD_MT)}$ | | Master transmitter (after enable edge) | 0 | - | |

1. Guaranteed by characterization results.

2. The maximum value of 256x F_S is 49.152 MHz (APB1 maximum frequency).

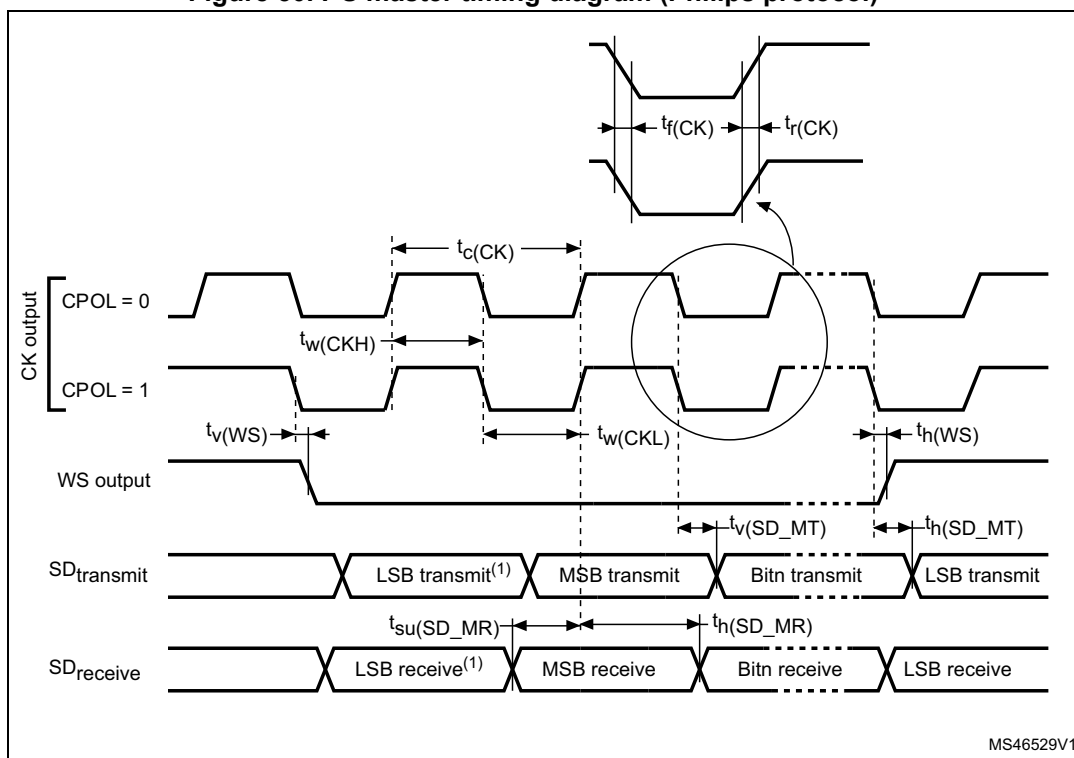
Note: Refer to RM0410 reference manual I2S section for more details about the sampling frequency (F_S). f_{MCK} , f_{CK} , and D_{CK} values reflect only the digital peripheral behavior. The values of these parameters might be slightly impacted by the source clock precision. D_{CK} depends mainly on the value of ODD bit. The digital contribution leads to a minimum value of $(I2SDIV)/(2*I2SDIV+ODD)$ and a maximum value of $(I2SDIV+ODD)/(2*I2SDIV+ODD)$. F_S maximum value is supported for each mode/condition.

Figure 49. I²S slave timing diagram (Philips protocol)⁽¹⁾



1. LSB transmit/receive of the previously transmitted byte. No LSB transmit/receive is sent before the first byte.

Figure 50. I²S master timing diagram (Philips protocol)⁽¹⁾



1. LSB transmit/receive of the previously transmitted byte. No LSB transmit/receive is sent before the first byte.

JTAG/SWD characteristics

Unless otherwise specified, the parameters given in [Table 87](#) for JTAG/SWD are derived from tests performed under the ambient temperature, f_{HCLK} frequency and VDD supply voltage conditions summarized in [Table 17](#), with the following configuration:

- Output speed is set to OSPEEDRy[1:0] = 10
- Capacitive load C=30 pF
- Measurement points are performed at CMOS levels: $0.5V_{\text{DD}}$

Refer to [Section 6.3.20: I/O port characteristics](#) for more details on the input/output alternate function characteristics (SCK,SD,WS).

Table 87. Dynamics characteristics: JTAG characteristics

| Symbol | Parameter | Conditions | Min | Typ | Max | Unit |
|--|-----------------------|---------------------|-----------------------|-------------------|-----------------------|------|
| F_{pp} | TCK clock frequency | $2.7V < VDD < 3.6V$ | - | - | 40 | MHz |
| $1/t_{\text{c(TCK)}}$ | | $1.71 < VDD < 3.6V$ | - | - | 35 | |
| $t_{\text{w(TCKH)}}$ $t_{\text{w(TCKL)}}$ | SCK high and low time | - | $T_{\text{PCLK}} - 1$ | T_{PCLK} | $T_{\text{PCLK}} + 1$ | ns |
| $t_{\text{su(TMS)}}$ | TMS input setup time | - | 3 | - | - | |
| $t_{\text{h(TMS)}}$ | TMS input hold time | - | 0 | - | - | |
| $t_{\text{su(TDI)}}$ | TDI input setup time | - | 0.5 | - | - | |
| $t_{\text{h(TDI)}}$ | TDI input hold time | - | 2 | - | - | |
| $t_{\text{ov(TDO)}}$ | TDO output valid time | $2.7V < VDD < 3.6V$ | - | 9 | 11 | |
| | | $1.71 < VDD < 3.6V$ | - | 9 | 13 | |
| $t_{\text{oh(TDO)}}$ | TDO output hold time | - | 7.5 | - | - | |

Table 88. Dynamics characteristics: SWD characteristics

| Symbol | Parameter | Conditions | Min | Typ | Max | Unit |
|------------------------------------|-------------------------|-----------------|----------------|------------|----------------|------|
| F_{pp} | SWCLK clock frequency | 2.7V <VDD< 3.6V | - | - | 80 | MHz |
| $1/t_{c(SWCLK)}$ | | 1.71 <VDD< 3.6V | - | - | 50 | |
| $t_{w(SWCLKH)}$ $t_{w(SWCLKL)}$ | SCK high and low time | - | $T_{PCLK} - 1$ | T_{PCLK} | $T_{PCLK} + 1$ | ns |
| $t_{su(SWDIO)}$ | SWDIO input setup time | - | 3.5 | - | - | |
| $t_{h(SWDIO)}$ | SWDIO input hold time | - | 0 | - | - | |
| $t_{ov(SWDIO)}$ | SWDIO output valid time | 2.7V <VDD< 3.6V | - | 11 | 12 | |
| | | 1.71 <VDD< 3.6V | - | 11 | 16.5 | |
| $t_{oh(SWDIO)}$ | SWDIO output hold time | - | 9 | - | - | |

JTAG/SWD timing diagrams

Figure 51. JTAG timing diagram

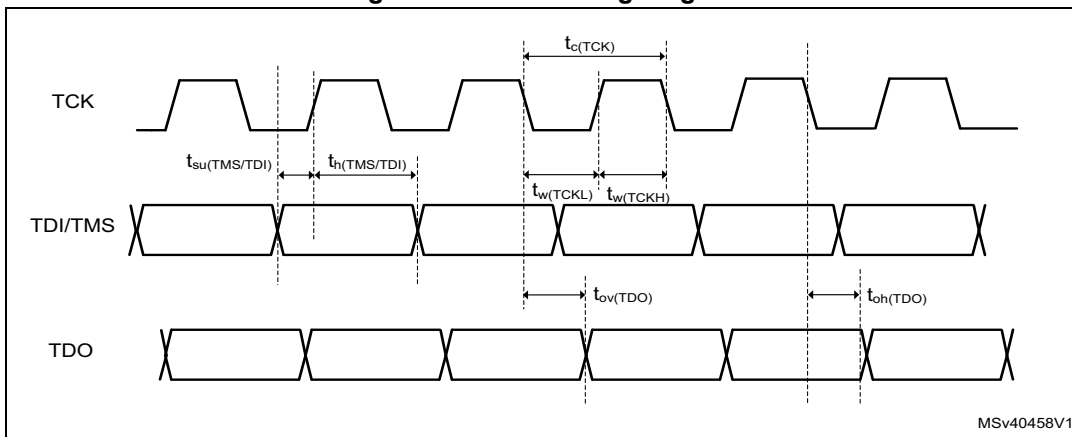
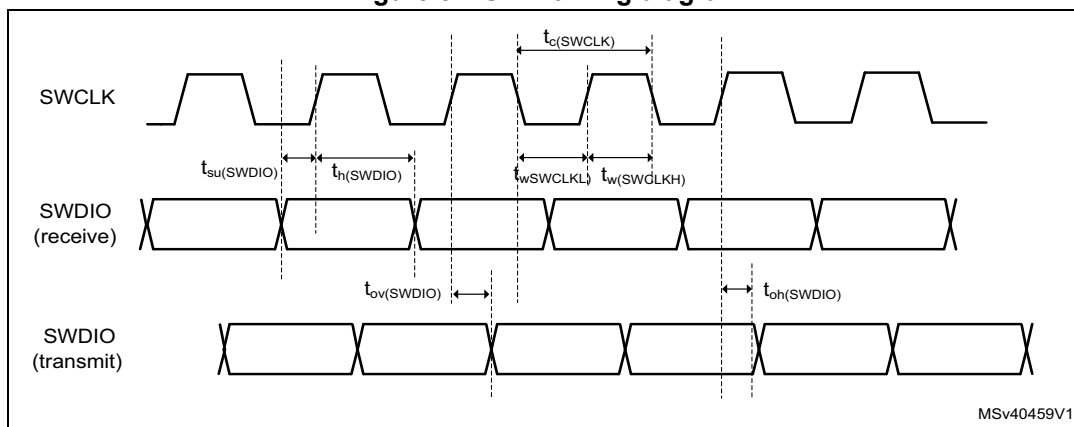


Figure 52. SWD timing diagram



MSv40459V1

SAI characteristics:

Unless otherwise specified, the parameters given in [Table 89](#) for SAI are derived from tests performed under the ambient temperature, f_{PCLKx} frequency and VDD supply voltage conditions summarized in [Table 17](#), with the following configuration:

- Output speed is set to OSPEEDRy[1:0] = 10
- Capacitive load C=30 pF
- Measurement points are performed at CMOS levels: $0.5V_{DD}$

Refer to [Section 6.3.20: I/O port characteristics](#) for more details on the input/output alternate function characteristics (SCK,SD,WS).

Table 89. SAI characteristics⁽¹⁾

| Symbol | Parameter | Conditions | Min | Max | Unit |
|---------------------|------------------------------------|--|----------|-----------------------|------|
| f_{MCK} | SAI Main clock output | - | 256 x 8K | 256xFs | MHz |
| F_{CK} | SAI clock frequency ⁽²⁾ | Master data: 32 bits | - | 128xFs ⁽³⁾ | MHz |
| | | Slave data: 32 bits | - | 128xFs | |
| $t_{v(FS)}$ | FS valid time | Master mode $2.7 \leq VDD \leq 3.6V$ | - | 15 | ns |
| | | Master mode $1.71 \leq VDD \leq 3.6V$ | - | 20 | |
| $t_{su(FS)}$ | FS setup time | Slave mode | 7 | - | |
| $t_h(FS)$ | FS hold time | Master mode | 1 | - | |
| | | Slave mode | 1 | - | |
| $t_{su(SD_A_MR)}$ | Data input setup time | Master receiver | 3 | - | |
| $t_{su(SD_B_SR)}$ | | Slave receiver | 3.5 | - | |
| $t_h(SD_A_MR)$ | Data input hold time | Master receiver | 5 | - | |
| $t_h(SD_B_SR)$ | | Slave receiver | 1 | - | |

Table 89. SAI characteristics⁽¹⁾ (continued)

| Symbol | Parameter | Conditions | Min | Max | Unit |
|--------------------|------------------------|---|-----|-----|------|
| $t_{v(SD_B_ST)}$ | Data output valid time | Slave transmitter (after enable edge) $2.7 \leq VDD \leq 3.6V$ | - | 12 | ns |
| | | Slave transmitter (after enable edge) $1.71 \leq VDD \leq 3.6V$ | - | 20 | |
| $t_{h(SD_B_MT)}$ | Data output hold time | Slave transmitter (after enable edge) | 5 | - | |
| $t_{v(SD_MT_A)}$ | Data output valid time | Master transmitter (after enable edge) $2.7 \leq VDD \leq 3.6V$ | - | 15 | |
| | | Master transmitter (after enable edge) $1.71 \leq VDD \leq 3.6V$ | - | 20 | |
| $t_{h(SD_A_MT)}$ | Data output hold time | Master transmitter (after enable edge) | 5 | - | |

1. Guaranteed by characterization results.
2. APB clock frequency must be at least twice SAI clock frequency.
3. With $F_S=192kHz$.

Figure 53. SAI master timing waveforms

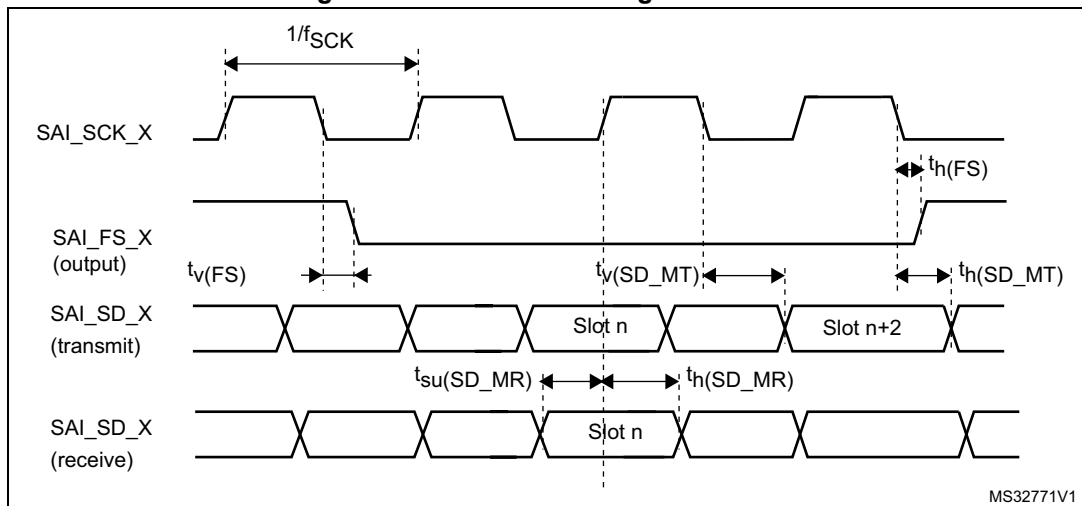
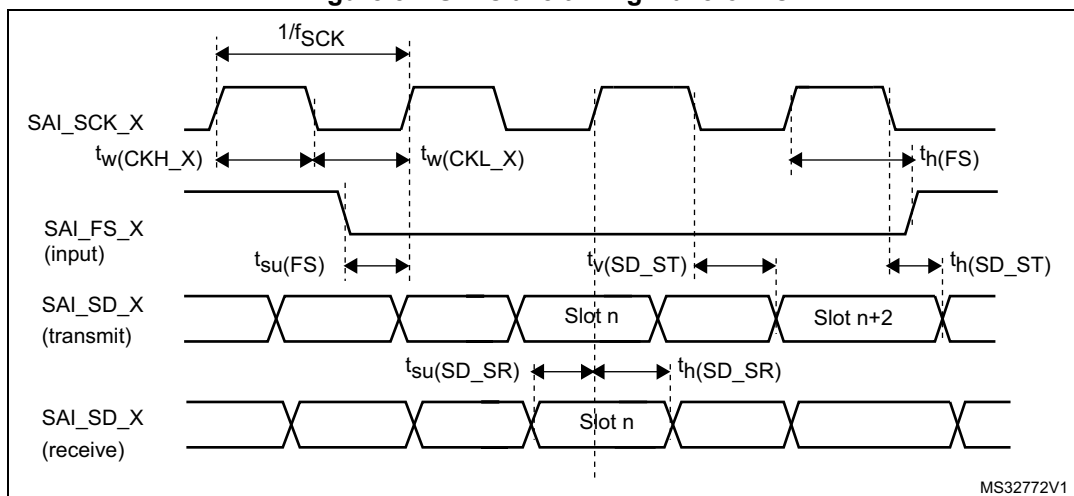


Figure 54. SAI slave timing waveforms



MS32772V1

USB OTG full speed (FS) characteristics

This interface is present in both the USB OTG HS and USB OTG FS controllers.

Table 90. USB OTG full speed startup time

| Symbol | Parameter | Max | Unit |
|---------------------|---|-----|---------|
| $t_{STARTUP}^{(1)}$ | USB OTG full speed transceiver startup time | 1 | μs |

1. Guaranteed by design.

Table 91. USB OTG full speed DC electrical characteristics

| Symbol | Parameter | Conditions | Min. (1) | Typ. | Max. (1) | Unit | |
|---------------|----------------|--|---|--------------------|----------|------|---|
| Input levels | V_{DDUSB} | USB OTG full speed transceiver operating voltage | - | 3.0 ⁽²⁾ | - | 3.6 | V |
| | $V_{DI}^{(3)}$ | Differential input sensitivity | $I(USB_FS_DP/DM, USB_HS_DP/DM)$ | 0.2 | - | - | V |
| | $V_{CM}^{(3)}$ | Differential common mode range | Includes V_{DI} range | 0.8 | - | 2.5 | |
| | $V_{SE}^{(3)}$ | Single ended receiver threshold | - | 1.3 | - | 2.0 | |
| Output levels | V_{OL} | Static output level low | R_L of 1.5 k Ω to 3.6 V ⁽⁴⁾ | - | - | 0.3 | V |
| | V_{OH} | Static output level high | R_L of 15 k Ω to $V_{SS}^{(4)}$ | 2.8 | - | 3.6 | |

Table 91. USB OTG full speed DC electrical characteristics (continued)

| Symbol | Parameter | Conditions | Min. (1) | Typ. | Max. (1) | Unit |
|-----------------|---|-----------------------------------|-------------|------|-------------|------|
| R _{PD} | PA11, PA12, PB14, PB15 (USB_FS_DP/DM, USB_HS_DP/DM) | V _{IN} = V _{DD} | 17 | 21 | 24 | kΩ |
| | PA9, PB13 (OTG_FS_VBUS, OTG_HS_VBUS) | | 2.4 | 5.2 | 8 | |
| R _{PU} | PA12, PB15 (USB_FS_DP, USB_HS_DP) | V _{IN} = V _{SS} | 1.5 | 1.8 | 2.1 | |
| | PA9, PB13 (OTG_FS_VBUS, OTG_HS_VBUS) | V _{IN} = V _{SS} | 0.55 | 0.95 | 1.35 | |

1. All the voltages are measured from the local ground potential.
2. The USB OTG full speed transceiver functionality is ensured down to 2.7 V but not the full USB full speed electrical characteristics which are degraded in the 2.7-to-3.0 V V_{DDUSB} voltage range.
3. Guaranteed by design.
4. R_L is the load connected on the USB OTG full speed drivers.

Note: When VBUS sensing feature is enabled, PA9 and PB13 should be left at their default state (floating input), not as alternate function. A typical 200 μA current consumption of the sensing block (current to voltage conversion to determine the different sessions) can be observed on PA9 and PB13 when the feature is enabled.

Figure 55. USB OTG full speed timings: definition of data signal rise and fall time

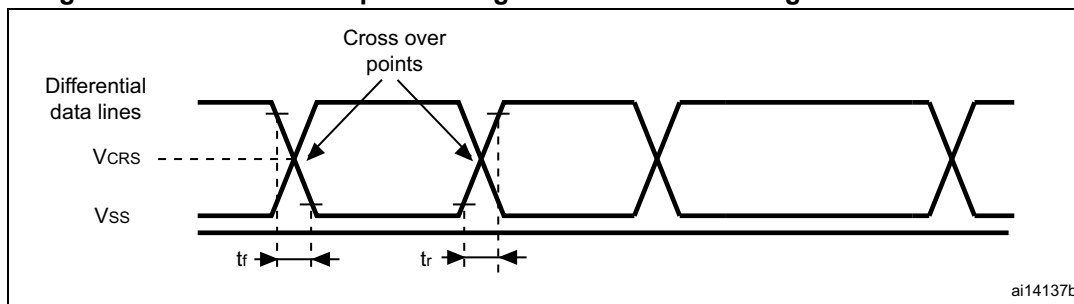


Table 92. USB OTG full speed electrical characteristics⁽¹⁾

| Driver characteristics | | | | | |
|------------------------|--|--------------------------------|-----|-----|------|
| Symbol | Parameter | Conditions | Min | Max | Unit |
| t _r | Rise time ⁽²⁾ | C _L = 50 pF | 4 | 20 | ns |
| t _f | Fall time ⁽²⁾ | C _L = 50 pF | 4 | 20 | ns |
| t _{rfm} | Rise/ fall time matching | t _r /t _f | 90 | 110 | % |
| V _{CRS} | Output signal crossover voltage | - | 1.3 | 2.0 | V |
| Z _{DRV} | Output driver impedance ⁽³⁾ | Driving high or low | 28 | 44 | Ω |

1. Guaranteed by design.

2. Measured from 10% to 90% of the data signal. For more detailed informations, please refer to USB Specification - Chapter 7 (version 2.0).
3. No external termination series resistors are required on DP (D+) and DM (D-) pins since the matching impedance is included in the embedded driver.

USB high speed (HS) characteristics

Unless otherwise specified, the parameters given in [Table 95](#) for ULPI are derived from tests performed under the ambient temperature, f_{HCLK} frequency summarized in [Table 94](#) and V_{DD} supply voltage conditions summarized in [Table 93](#), with the following configuration:

- Output speed is set to OSPEEDRy[1:0] = 11, unless otherwise specified
- Capacitive load C = 20 pF, unless otherwise specified
- Measurement points are done at CMOS levels: $0.5V_{DD}$.

Refer to [Section 6.3.20: I/O port characteristics](#) for more details on the input/output characteristics.

Table 93. USB HS DC electrical characteristics

| Symbol | | Parameter | Min. ⁽¹⁾ | Max. ⁽¹⁾ | Unit |
|-------------|----------|------------------------------|---------------------|---------------------|------|
| Input level | V_{DD} | USB OTG HS operating voltage | 1.7 | 3.6 | V |

1. All the voltages are measured from the local ground potential.

Table 94. USB HS clock timing parameters⁽¹⁾

| Symbol | Parameter | | Min | Typ | Max | Unit |
|-------------------|--|------------------|--------|-----|--------|---------|
| - | f_{HCLK} value to guarantee proper operation of USB HS interface | | 30 | - | - | MHz |
| F_{START_8BIT} | Frequency (first transition) | 8-bit $\pm 10\%$ | 54 | 60 | 66 | MHz |
| F_{STEADY} | Frequency (steady state) ± 500 ppm | | 59.97 | 60 | 60.03 | MHz |
| D_{START_8BIT} | Duty cycle (first transition) | 8-bit $\pm 10\%$ | 40 | 50 | 60 | % |
| D_{STEADY} | Duty cycle (steady state) ± 500 ppm | | 49.975 | 50 | 50.025 | % |
| t_{STEADY} | Time to reach the steady state frequency and duty cycle after the first transition | | - | - | 1.4 | ms |
| t_{START_DEV} | Clock startup time after the de-assertion of SuspendM | Peripheral | - | - | 5.6 | ms |
| t_{START_HOST} | | Host | - | - | - | |
| t_{PREP} | PHY preparation time after the first transition of the input clock | | - | - | - | μs |

1. Guaranteed by design.

Figure 56. ULPI timing diagram

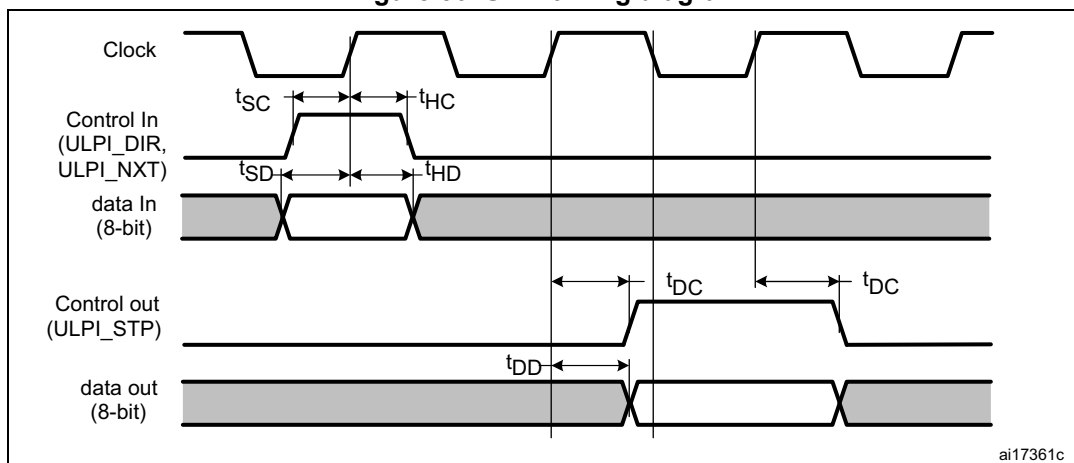


Table 95. Dynamic characteristics: USB ULPI⁽¹⁾

| Symbol | Parameter | Conditions | Min. | Typ. | Max. | Unit |
|----------------------------------|--|--|------|------|------|------|
| t _{SC} | Control in (ULPI_DIR, ULPI_NXT) setup time | - | 2 | - | - | ns |
| t _{HC} | Control in (ULPI_DIR, ULPI_NXT) hold time | - | 1.5 | - | - | |
| t _{SD} | Data in setup time | - | 2 | - | - | |
| t _{HD} | Data in hold time | - | 1 | - | - | |
| t _{DC} /t _{DD} | Data/control output delay | 2.7 V < V _{DD} < 3.6 V, C _L = 20 pF | - | 6.5 | 8 | ns |
| | | 1.7 V < V _{DD} < 3.6 V, C _L = 15 pF | - | 6.5 | 11 | |

1. Guaranteed by characterization results.

Ethernet characteristics

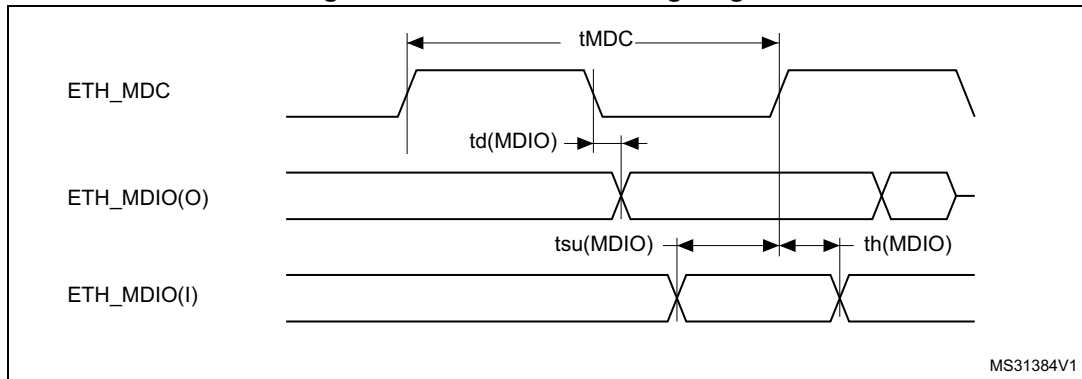
Unless otherwise specified, the parameters given in [Table 96](#), [Table 97](#) and [Table 98](#) for SMI, RMII and MII are derived from tests performed under the ambient temperature, f_{HCLK} frequency summarized in [Table 17](#), with the following configuration:

- Output speed is set to OSPEEDRy[1:0] = 10
- Capacitive load C = 20 pF
- Measurement points are done at CMOS levels: 0.5V_{DD}.

Refer to [Section 6.3.20: I/O port characteristics](#) for more details on the input/output characteristics.

[Table 96](#) gives the list of Ethernet MAC signals for the SMI (station management interface) and [Figure 57](#) shows the corresponding timing diagram.

Figure 57. Ethernet SMI timing diagram



MS31384V1

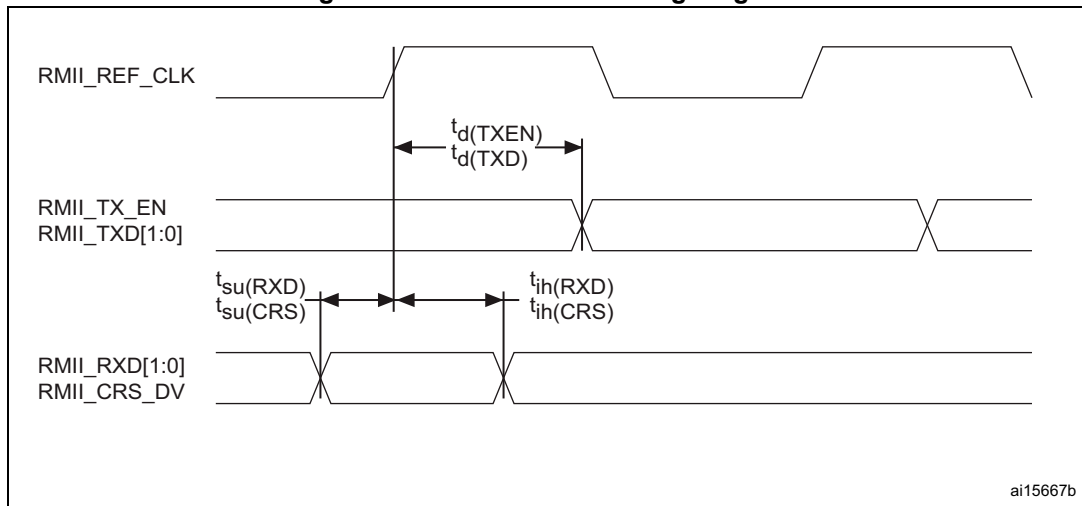
Table 96. Dynamics characteristics: Ethernet MAC signals for SMI⁽¹⁾

| Symbol | Parameter | Min | Typ | Max | Unit |
|-----------------------|--------------------------|-----------------------|-------------------------|-----------------------|------|
| t _{MDC} | MDC cycle time(2.38 MHz) | 400 | 400 | 403 | ns |
| T _{d(MDIO)} | Write data valid time | T _{HCLK} + 1 | T _{HCLK} + 1.5 | T _{HCLK} + 3 | |
| t _{su(MDIO)} | Read data setup time | 12.5 | - | - | |
| t _{h(MDIO)} | Read data hold time | 0 | - | - | |

1. Guaranteed by characterization results.

Table 97 gives the list of Ethernet MAC signals for the RMII and Figure 58 shows the corresponding timing diagram.

Figure 58. Ethernet RMII timing diagram



ai15667b

Table 97. Dynamics characteristics: Ethernet MAC signals for RMII⁽¹⁾

| Symbol | Parameter | Min | Typ | Max | Unit |
|---------------|----------------------------------|-----|-----|------|------|
| $t_{su}(RXD)$ | Receive data setup time | 1 | - | - | ns |
| $t_{ih}(RXD)$ | Receive data hold time | 2 | - | - | |
| $t_{su}(CRS)$ | Carrier sense setup time | 2 | - | - | |
| $t_{ih}(CRS)$ | Carrier sense hold time | 2 | - | - | |
| $t_d(TXEN)$ | Transmit enable valid delay time | 7.5 | 8 | 12 | |
| $t_d(TXD)$ | Transmit data valid delay time | 7 | 7.5 | 12.5 | |

1. Guaranteed by characterization results.

Table 98 gives the list of Ethernet MAC signals for MII and Figure 58 shows the corresponding timing diagram.

Figure 59. Ethernet MII timing diagram

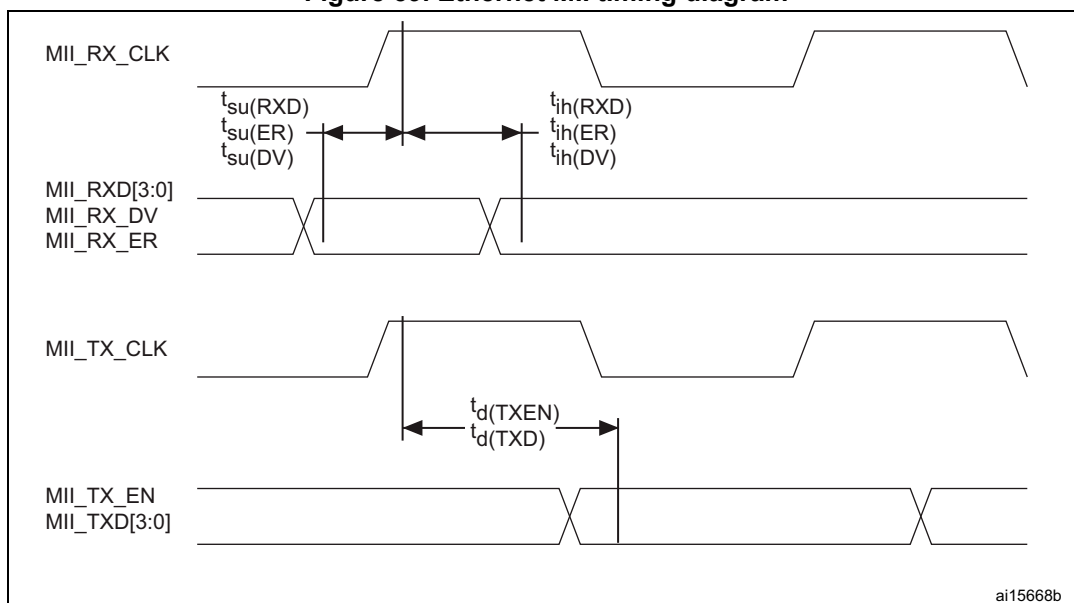


Table 98. Dynamics characteristics: Ethernet MAC signals for MII⁽¹⁾

| Symbol | Parameter | Min | Typ | Max | Unit |
|---------------|----------------------------------|-----|-----|-----|------|
| $t_{su}(RXD)$ | Receive data setup time | 1 | - | - | ns |
| $t_{ih}(RXD)$ | Receive data hold time | 2.5 | - | - | |
| $t_{su}(DV)$ | Data valid setup time | 1.5 | - | - | |
| $t_{ih}(DV)$ | Data valid hold time | 0.5 | - | - | |
| $t_{su}(ER)$ | Error setup time | 2.5 | - | - | |
| $t_{ih}(ER)$ | Error hold time | 0.5 | - | - | |
| $t_d(TXEN)$ | Transmit enable valid delay time | 8 | 10 | 13 | |
| $t_d(TXD)$ | Transmit data valid delay time | 7.5 | 9 | 13 | |

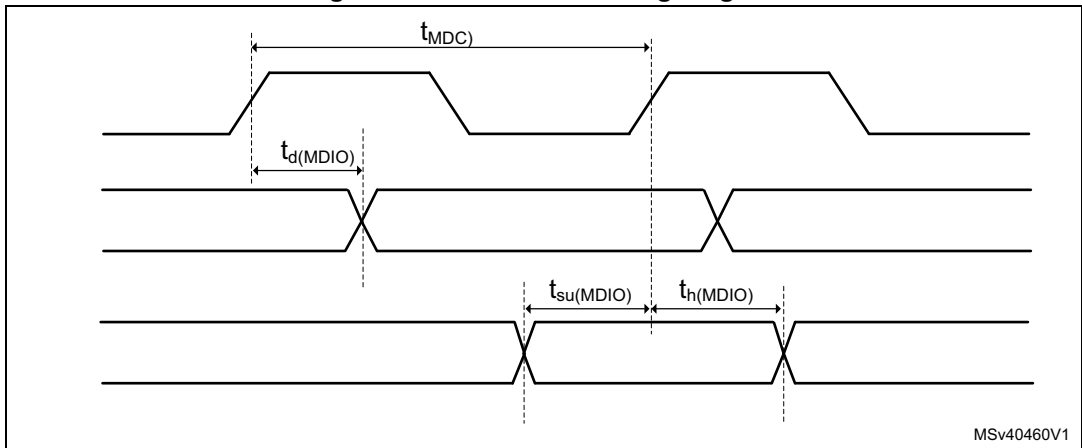
1. Guaranteed by characterization results.

Table 99. MDIO Slave timing parameters

| Symbol | Parameter | Min | Typ | Max | Unit |
|----------------|---|-----|-----|-----|------|
| F_{sDC} | Management Data clock | - | - | 40 | MHz |
| $t_{d(MDIO)}$ | Management Data input/output output valid time | 7 | 8 | 20 | ns |
| $t_{su(MDIO)}$ | Management Data input/output setup time | 4 | - | - | |
| $t_h(MDIO)$ | Management Data input/output hold time | 1 | - | - | |

The MDIO controller is mapped on APB2 domain. The frequency of the APB bus should at least 1.5 times the MDC frequency: $F_{PCLK2} \geq 1.5 * F_{MDC}$

Figure 60. MDIO Slave timing diagram



CAN (controller area network) interface

Refer to [Section 6.3.20: I/O port characteristics](#) for more details on the input/output alternate function characteristics (CANx_TX and CANx_RX).

6.3.30 FMC characteristics

Unless otherwise specified, the parameters given in [Table 100](#) to [Table 113](#) for the FMC interface are derived from tests performed under the ambient temperature, f_{HCLK} frequency and V_{DD} supply voltage conditions summarized in [Table 17](#), with the following configuration:

- Output speed is set to $OSPEEDRy[1:0] = 11$
- Measurement points are done at CMOS levels: $0.5V_{DD}$

Refer to [Section 6.3.20: I/O port characteristics](#) for more details on the input/output characteristics.

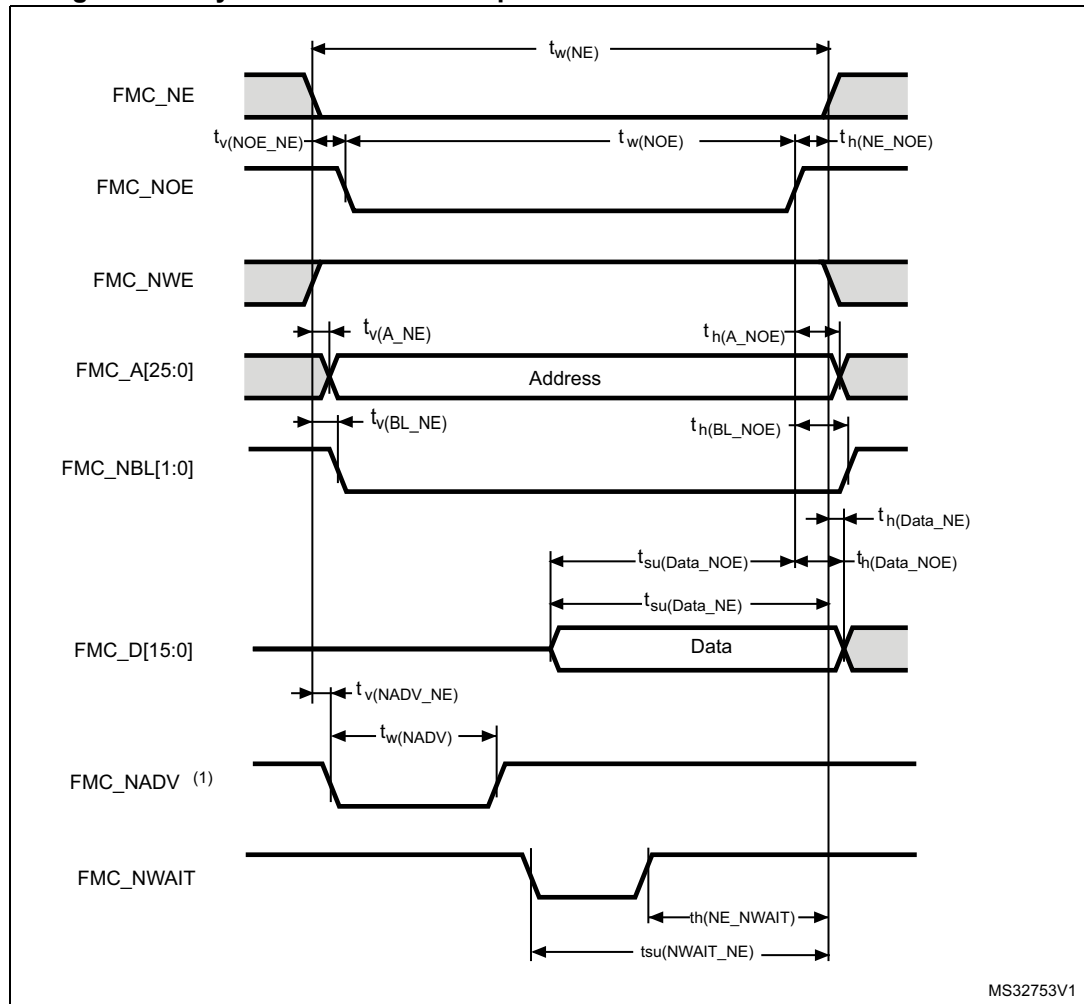
Asynchronous waveforms and timings

[Figure 61](#) through [Figure 64](#) represent asynchronous waveforms and [Table 100](#) through [Table 107](#) provide the corresponding timings. The results shown in these tables are obtained with the following FMC configuration:

- AddressSetupTime = 0x1
- AddressHoldTime = 0x1
- DataSetupTime = 0x1 (except for asynchronous NWAIT mode , DataSetupTime = 0x5)
- BusTurnAroundDuration = 0x0
- Capacitive load CL = 30 pF

In all timing tables, the T_{HCLK} is the HCLK clock period

Figure 61. Asynchronous non-multiplexed SRAM/PSRAM/NOR read waveforms



1. Mode 2/B, C and D only. In Mode 1, FMC_NADV is not used.

Table 100. Asynchronous non-multiplexed SRAM/PSRAM/NOR read timings⁽¹⁾⁽²⁾

| Symbol | Parameter | Min | Max | Unit |
|---------------------|---------------------------------------|-----------------|-----------------|------|
| $t_{w(NE)}$ | FMC_NE low time | $2T_{HCLK} - 1$ | $2T_{HCLK} + 1$ | ns |
| $t_{v(NOE_NE)}$ | FMC_NEx low to FMC_NOE low | 0 | 0.5 | |
| $t_{w(NOE)}$ | FMC_NOE low time | $2T_{HCLK} - 1$ | $2T_{HCLK} + 1$ | |
| $t_{h(NE_NOE)}$ | FMC_NOE high to FMC_NE high hold time | 0 | - | |
| $t_{v(A_NE)}$ | FMC_NEx low to FMC_A valid | - | 0.5 | |
| $t_{h(A_NOE)}$ | Address hold time after FMC_NOE high | 0 | - | |
| $t_{v(BL_NE)}$ | FMC_NEx low to FMC_BL valid | - | 0.5 | |
| $t_{h(BL_NOE)}$ | FMC_BL hold time after FMC_NOE high | 0 | - | |
| $t_{su(Data_NE)}$ | Data to FMC_NEx high setup time | $T_{HCLK} - 1$ | - | |
| $t_{su(Data_NOE)}$ | Data to FMC_NOEx high setup time | $T_{HCLK} - 1$ | - | |
| $t_{h(Data_NOE)}$ | Data hold time after FMC_NOE high | 0 | - | |
| $t_{h(Data_NE)}$ | Data hold time after FMC_NEx high | 0 | - | |
| $t_{v(NADV_NE)}$ | FMC_NEx low to FMC_NADV low | - | 0 | |
| $t_{w(NADV)}$ | FMC_NADV low time | - | $T_{HCLK} + 1$ | |

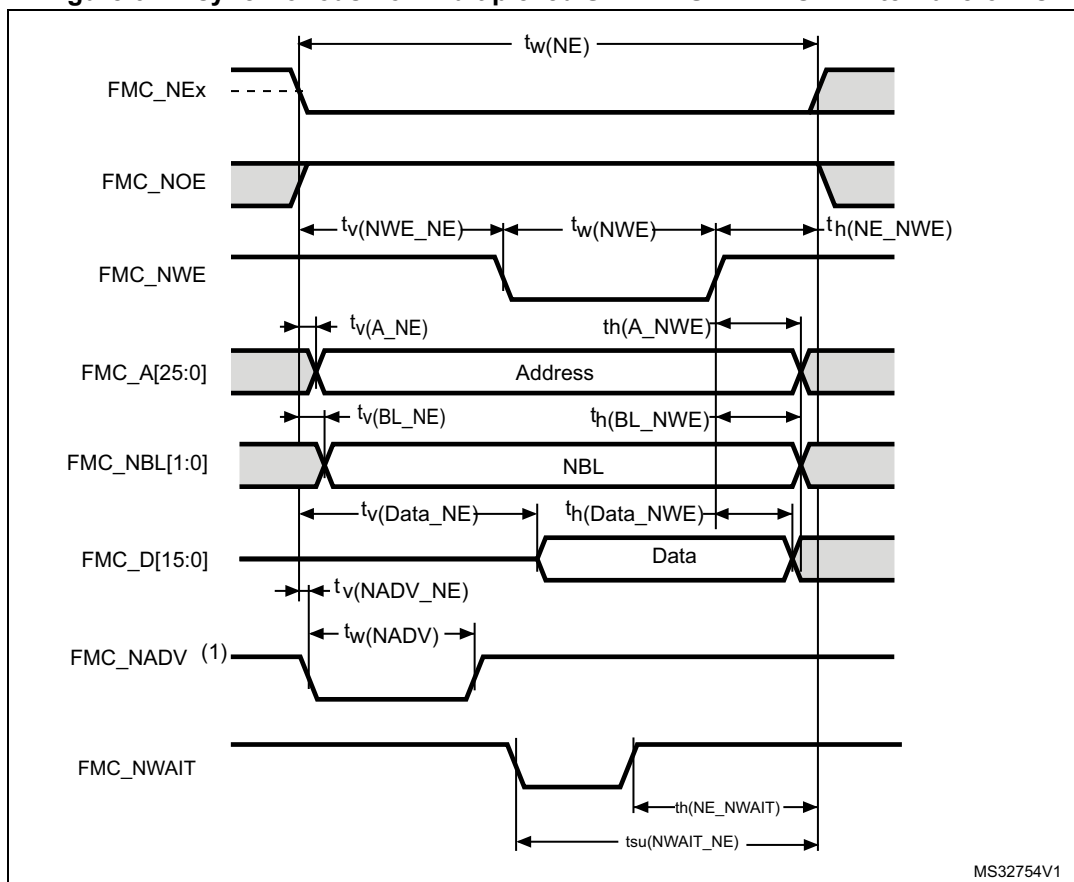
1. $C_L = 30$ pF.
2. Guaranteed by characterization results.

Table 101. Asynchronous non-multiplexed SRAM/PSRAM/NOR read - NWAIT timings⁽¹⁾

| Symbol | Parameter | Min | Max | Unit |
|---------------------|---|-------------------|-----------------|------|
| $t_{w(NE)}$ | FMC_NE low time | $7T_{HCLK} + 1$ | $7T_{HCLK} + 1$ | ns |
| $t_{w(NOE)}$ | FMC_NWE low time | $5T_{HCLK} - 1$ | $5T_{HCLK} + 1$ | |
| $t_{w(NWAIT)}$ | FMC_NWAIT low time | $T_{HCLK} - 0.5$ | - | |
| $t_{su(NWAIT_NE)}$ | FMC_NWAIT valid before FMC_NEx high | $5T_{HCLK} + 1.5$ | - | |
| $t_{h(NE_NWAIT)}$ | FMC_NEx hold time after FMC_NWAIT invalid | $4T_{HCLK} + 1$ | - | |

1. Guaranteed by characterization results.

Figure 62. Asynchronous non-multiplexed SRAM/PSRAM/NOR write waveforms



1. Mode 2/B, C and D only. In Mode 1, FMC_NADV is not used.

Table 102. Asynchronous non-multiplexed SRAM/PSRAM/NOR write timings⁽¹⁾

| Symbol | Parameter | Min | Max | Unit |
|--------------------|---------------------------------------|------------------|------------------|------|
| $t_{w(NE)}$ | FMC_NE low time | $3T_{HCLK} - 1$ | $3T_{HCLK} + 1$ | ns |
| $t_{v(NWE_NE)}$ | FMC_NEx low to FMC_NWE low | $T_{HCLK} - 1$ | $T_{HCLK} + 0.5$ | |
| $t_{w(NWE)}$ | FMC_NWE low time | $T_{HCLK} - 1.5$ | $T_{HCLK} + 0.5$ | |
| $t_{h(NE_NWE)}$ | FMC_NWE high to FMC_NE high hold time | T_{HCLK} | - | |
| $t_{v(A_NE)}$ | FMC_NEx low to FMC_A valid | - | 0 | |
| $t_{h(A_NWE)}$ | Address hold time after FMC_NWE high | $T_{HCLK} - 0.5$ | - | |
| $t_{v(BL_NE)}$ | FMC_NEx low to FMC_BL valid | - | 0.5 | |
| $t_{h(BL_NWE)}$ | FMC_BL hold time after FMC_NWE high | $T_{HCLK} - 0.5$ | - | |
| $t_{v(Data_NE)}$ | Data to FMC_NEx low to Data valid | - | $T_{HCLK} + 2$ | |
| $t_{h(Data_NWE)}$ | Data hold time after FMC_NWE high | $T_{HCLK} + 0.5$ | - | |
| $t_{v(NADV_NE)}$ | FMC_NEx low to FMC_NADV low | - | 0 | |
| $t_{w(NADV)}$ | FMC_NADV low time | - | $T_{HCLK} + 1$ | |

1. Guaranteed by characterization results.

Table 103. Asynchronous non-multiplexed SRAM/PSRAM/NOR write - NWAIT timings⁽¹⁾

| Symbol | Parameter | Min | Max | Unit |
|---------------------|---|-------------------|-------------------|------|
| $t_{w(NE)}$ | FMC_NE low time | $8T_{HCLK} - 1$ | $8T_{HCLK} + 1$ | ns |
| $t_{w(NWE)}$ | FMC_NWE low time | $6T_{HCLK} - 1.5$ | $6T_{HCLK} + 0.5$ | |
| $t_{su(NWAIT_NE)}$ | FMC_NWAIT valid before FMC_NEx high | $6T_{HCLK} - 1$ | - | |
| $t_h(NE_NWAIT)$ | FMC_NEx hold time after FMC_NWAIT invalid | $4T_{HCLK} + 2$ | - | |

1. Guaranteed by characterization results.

Figure 63. Asynchronous multiplexed PSRAM/NOR read waveforms

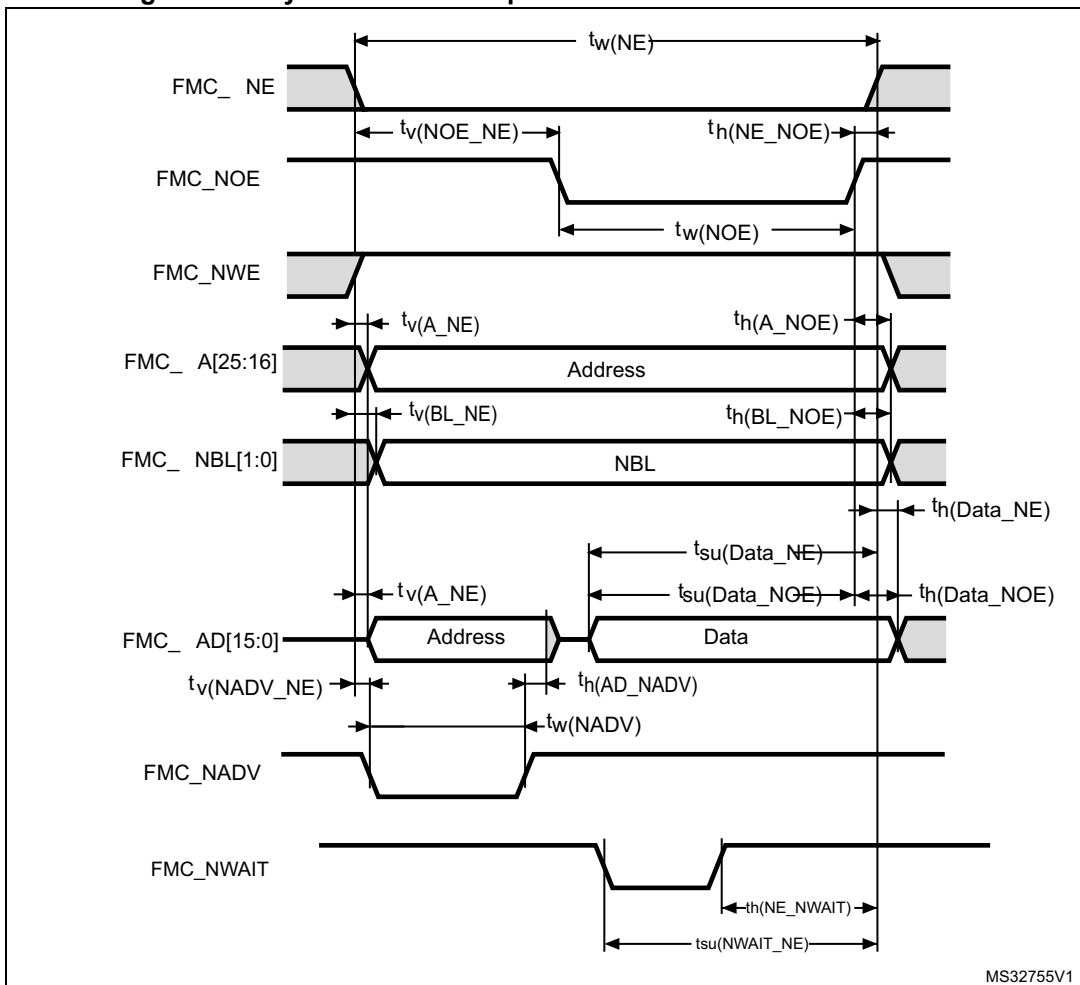


Table 104. Asynchronous multiplexed PSRAM/NOR read timings⁽¹⁾

| Symbol | Parameter | Min | Max | Unit |
|---------------------|---|------------------|-------------------|------|
| $t_{w(NE)}$ | FMC_NE low time | $3T_{HCLK} - 1$ | $3T_{HCLK} + 1$ | ns |
| $t_{v(NOE_NE)}$ | FMC_NEx low to FMC_NOE low | $2T_{HCLK}$ | $2T_{HCLK} + 0.5$ | |
| $t_{tw(NOE)}$ | FMC_NOE low time | $T_{HCLK} - 1$ | $T_{HCLK} + 1$ | |
| $t_h(NE_NOE)$ | FMC_NOE high to FMC_NE high hold time | 0 | - | |
| $t_{v(A_NE)}$ | FMC_NEx low to FMC_A valid | - | 0.5 | |
| $t_{v(NADV_NE)}$ | FMC_NEx low to FMC_NADV low | 0 | 0.5 | |
| $t_{w(NADV)}$ | FMC_NADV low time | $T_{HCLK} - 0.5$ | $T_{HCLK} + 1$ | |
| $t_h(AD_NADV)$ | FMC_AD(address) valid hold time after FMC_NADV high | $T_{HCLK} + 0.5$ | - | |
| $t_h(A_NOE)$ | Address hold time after FMC_NOE high | $T_{HCLK} - 0.5$ | - | |
| $t_h(BL_NOE)$ | FMC_BL time after FMC_NOE high | 0 | - | |
| $t_{v(BL_NE)}$ | FMC_NEx low to FMC_BL valid | - | 0.5 | |
| $t_{su(Data_NE)}$ | Data to FMC_NEx high setup time | $T_{HCLK} - 1$ | - | |
| $t_{su(Data_NOE)}$ | Data to FMC_NOE high setup time | $T_{HCLK} - 1$ | - | |
| $t_h(Data_NE)$ | Data hold time after FMC_NEx high | 0 | - | |
| $t_h(Data_NOE)$ | Data hold time after FMC_NOE high | 0 | - | |

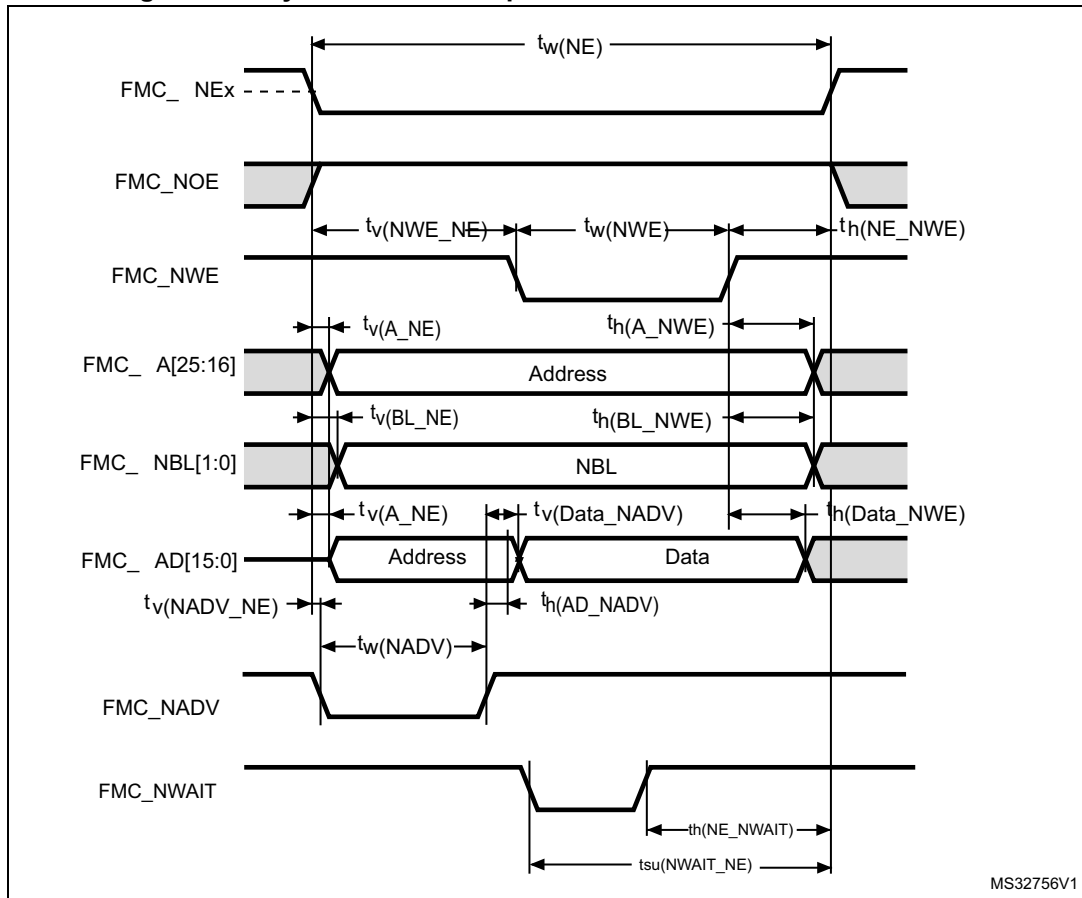
1. Guaranteed by characterization results.

Table 105. Asynchronous multiplexed PSRAM/NOR read-NWAIT timings⁽¹⁾

| Symbol | Parameter | Min | Max | Unit |
|---------------------|---|-------------------|-------------------|------|
| $t_{w(NE)}$ | FMC_NE low time | $8T_{HCLK} - 1$ | $8T_{HCLK} + 1$ | ns |
| $t_{w(NOE)}$ | FMC_NWE low time | $5T_{HCLK} - 1.5$ | $5T_{HCLK} + 0.5$ | |
| $t_{su(NWAIT_NE)}$ | FMC_NWAIT valid before FMC_NEx high | $5T_{HCLK} + 1.5$ | - | |
| $t_h(NE_NWAIT)$ | FMC_NEx hold time after FMC_NWAIT invalid | $4T_{HCLK} + 1$ | - | |

1. Guaranteed by characterization results.

Figure 64. Asynchronous multiplexed PSRAM/NOR write waveforms



MS32756V1

Table 106. Asynchronous multiplexed PSRAM/NOR write timings⁽¹⁾

| Symbol | Parameter | Min | Max | Unit |
|---------------------|---|-------------------|-------------------|------|
| $t_{w(NE)}$ | FMC_NE low time | $4T_{HCLK} - 1$ | $4T_{HCLK} + 1$ | ns |
| $t_{v(NWE_NE)}$ | FMC_NEx low to FMC_NWE low | $T_{HCLK} - 1$ | $T_{HCLK} + 0.5$ | |
| $t_{w(NWE)}$ | FMC_NWE low time | $2T_{HCLK} - 0.5$ | $2T_{HCLK} + 0.5$ | |
| $t_{h(NE_NWE)}$ | FMC_NWE high to FMC_NE high hold time | $T_{HCLK} - 0.5$ | - | |
| $t_{v(A_NE)}$ | FMC_NEx low to FMC_A valid | - | 0 | |
| $t_{v(NADV_NE)}$ | FMC_NEx low to FMC_NADV low | 0 | 0.5 | |
| $t_{w(NADV)}$ | FMC_NADV low time | T_{HCLK} | $T_{HCLK} + 1$ | |
| $t_{h(AD_NADV)}$ | FMC_AD(address) valid hold time after FMC_NADV high | $T_{HCLK} - 0.5$ | - | |
| $t_{h(A_NWE)}$ | Address hold time after FMC_NWE high | $T_{HCLK} + 0.5$ | - | |
| $t_{h(BL_NWE)}$ | FMC_BL hold time after FMC_NWE high | $T_{HCLK} - 0.5$ | - | |
| $t_{v(BL_NE)}$ | FMC_NEx low to FMC_BL valid | - | 0.5 | |
| $t_{v(Data_NADV)}$ | FMC_NADV high to Data valid | - | $T_{HCLK} + 2$ | |
| $t_{h(Data_NWE)}$ | Data hold time after FMC_NWE high | $T_{HCLK} + 0.5$ | - | |

1. Guaranteed by characterization results.

Table 107. Asynchronous multiplexed PSRAM/NOR write-NWAIT timings⁽¹⁾

| Symbol | Parameter | Min | Max | Unit |
|---------------------|---|-------------------|-------------------|------|
| $t_{w(NE)}$ | FMC_NE low time | $9T_{HCLK} - 1$ | $9T_{HCLK} + 1$ | ns |
| $t_{w(NWE)}$ | FMC_NWE low time | $7T_{HCLK} - 0.5$ | $7T_{HCLK} + 0.5$ | |
| $t_{su(NWAIT_NE)}$ | FMC_NWAIT valid before FMC_NEx high | $6T_{HCLK} + 2$ | - | |
| $t_{h(NE_NWAIT)}$ | FMC_NEx hold time after FMC_NWAIT invalid | $4T_{HCLK} - 1$ | - | |

1. Guaranteed by characterization results.

Synchronous waveforms and timings

Figure 65 through Figure 68 represent synchronous waveforms and Table 108 through Table 111 provide the corresponding timings. The results shown in these tables are obtained with the following FMC configuration:

- BurstAccessMode = FMC_BurstAccessMode_Enable;
- MemoryType = FMC_MemoryType_CRAM;
- WriteBurst = FMC_WriteBurst_Enable;
- CLKDivision = 1;
- DataLatency = 1 for NOR Flash; DataLatency = 0 for PSRAM
- CL = 30 pF on data and address lines. CL = 10 pF on FMC_CLK unless otherwise specified.

In all the timing tables, the T_{HCLK} is the HCLK clock period.

- For $2.7 V \leq V_{DD} \leq 3.6 V$, maximum FMC_CLK = 100 MHz at CL=20 pF or 90 MHz at CL=30 pF (on FMC_CLK).
- For $1.71 V \leq V_{DD} < 2.7 V$, maximum FMC_CLK = 70 MHz at CL=10 pF (on FMC_CLK).

Figure 65. Synchronous multiplexed NOR/PSRAM read timings

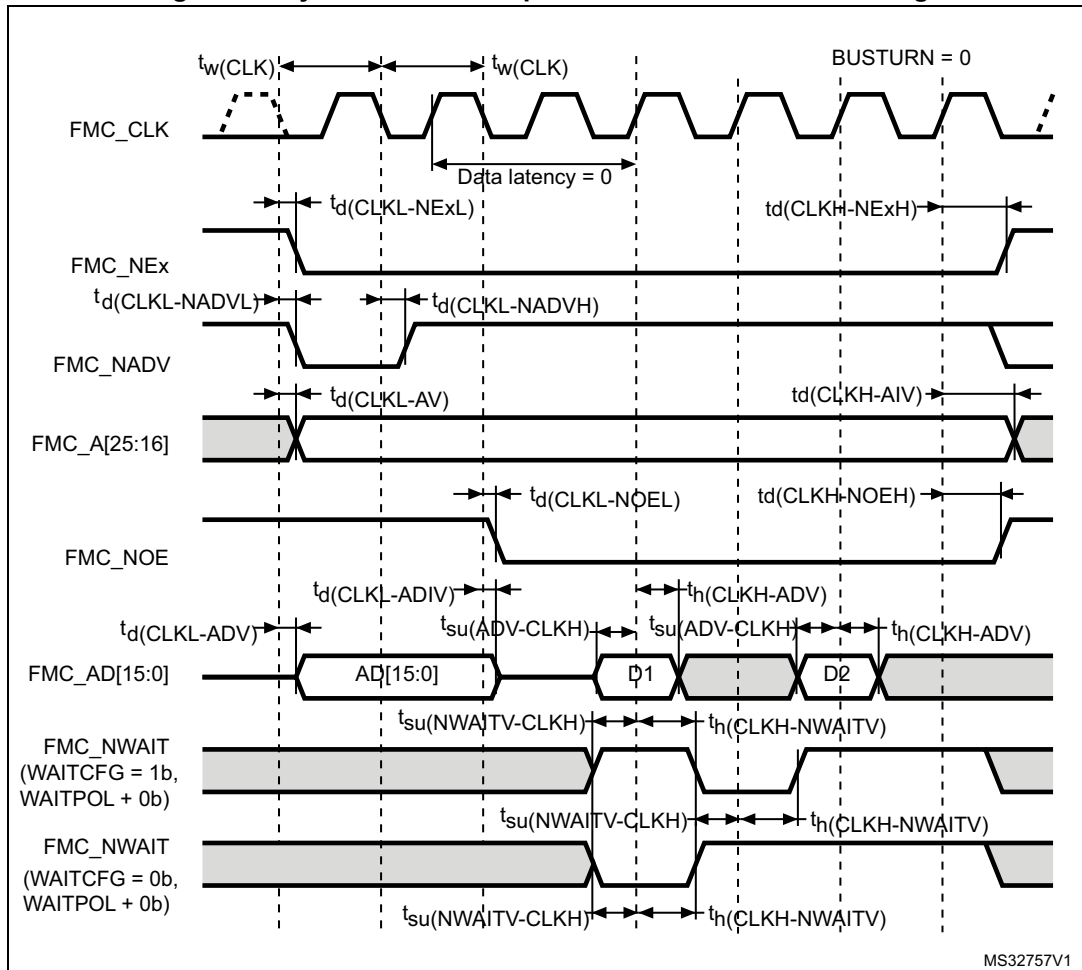


Table 108. Synchronous multiplexed NOR/PSRAM read timings⁽¹⁾

| Symbol | Parameter | Min | Max | Unit |
|----------------------|--|-------------------|-----|------|
| $t_{w(CLK)}$ | FMC_CLK period | $2T_{HCLK} - 0.5$ | - | ns |
| $t_{d(CLKL-NExL)}$ | FMC_CLK low to FMC_NEx low (x=0..2) | - | 2 | |
| $t_{d(CLKH-NExH)}$ | FMC_CLK high to FMC_NEx high (x= 0...2) | $T_{HCLK} + 0.5$ | - | |
| $t_{d(CLKL-NADVl)}$ | FMC_CLK low to FMC_NADV low | - | 1. | |
| $t_{d(CLKL-NADVh)}$ | FMC_CLK low to FMC_NADV high | 0 | - | |
| $t_{d(CLKL-AV)}$ | FMC_CLK low to FMC_Ax valid (x=16...25) | - | 2.5 | |
| $t_{d(CLKH-AIV)}$ | FMC_CLK high to FMC_Ax invalid (x=16...25) | T_{HCLK} | - | |
| $t_{d(CLKL-NOEL)}$ | FMC_CLK low to FMC_NOE low | - | 1.5 | |
| $t_{d(CLKH-NOEH)}$ | FMC_CLK high to FMC_NOE high | $T_{HCLK} - 0.5$ | - | |
| $t_{d(CLKL-ADV)}$ | FMC_CLK low to FMC_AD[15:0] valid | - | 3 | |
| $t_{d(CLKL-ADIV)}$ | FMC_CLK low to FMC_AD[15:0] invalid | 0 | - | |
| $t_{su(ADV-CLKH)}$ | FMC_A/D[15:0] valid data before FMC_CLK high | 2.5 | - | |
| $t_h(CLKH-ADV)$ | FMC_A/D[15:0] valid data after FMC_CLK high | 2.5 | - | |
| $t_{su(NWAIT-CLKH)}$ | FMC_NWAIT valid before FMC_CLK high | 3 | - | |
| $t_h(CLKH-NWAIT)$ | FMC_NWAIT valid after FMC_CLK high | 2.5 | - | |

1. Guaranteed by characterization results.

Figure 66. Synchronous multiplexed PSRAM write timings

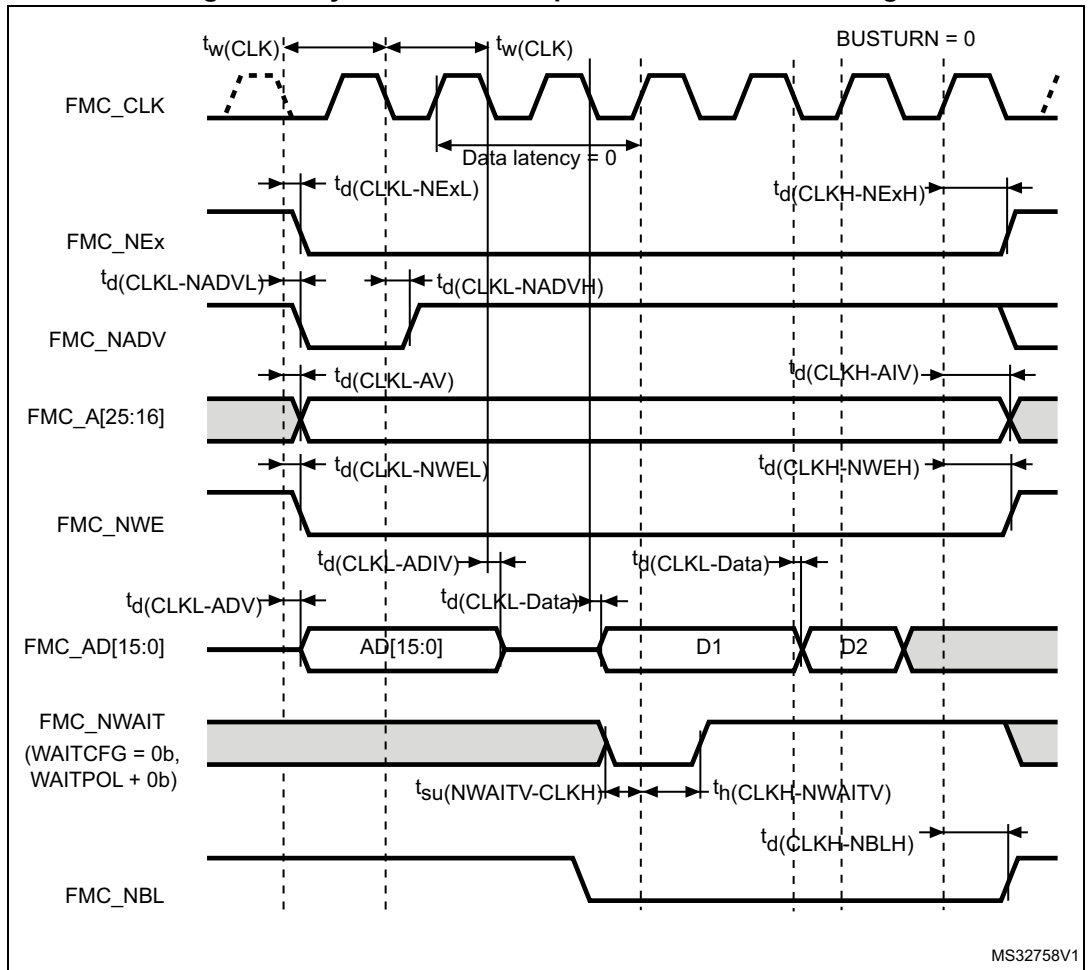


Table 109. Synchronous multiplexed PSRAM write timings⁽¹⁾

| Symbol | Parameter | Min | Max | Unit |
|-----------------------------|--|--------------------------|-----|------|
| $t_{w(\text{CLK})}$ | FMC_CLK period | $2T_{\text{HCLK}} - 0.5$ | - | ns |
| $t_{d(\text{CLKL-NExL})}$ | FMC_CLK low to FMC_NEx low (x=0..2) | - | 2 | |
| $t_{d(\text{CLKH-NExH})}$ | FMC_CLK high to FMC_NEx high (x= 0...2) | $T_{\text{HCLK}} + 0.5$ | - | |
| $t_{d(\text{CLKL-NADVl})}$ | FMC_CLK low to FMC_NADV low | - | 1 | |
| $t_{d(\text{CLKL-NADVh})}$ | FMC_CLK low to FMC_NADV high | 0 | - | |
| $t_{d(\text{CLKL-AV})}$ | FMC_CLK low to FMC_Ax valid (x=16...25) | - | 2.5 | |
| $t_{d(\text{CLKH-AIV})}$ | FMC_CLK high to FMC_Ax invalid (x=16...25) | T_{HCLK} | - | |
| $t_{d(\text{CLKL-NWEL})}$ | FMC_CLK low to FMC_NWE low | - | 1.5 | |
| $t_{d(\text{CLKH-NWEH})}$ | FMC_CLK high to FMC_NWE high | $T_{\text{HCLK}} + 0.5$ | - | |
| $t_{d(\text{CLKL-ADV})}$ | FMC_CLK low to FMC_AD[15:0] valid | - | 3 | |
| $t_{d(\text{CLKL-ADIV})}$ | FMC_CLK low to FMC_AD[15:0] invalid | 0 | - | |
| $t_{d(\text{CLKL-DATA})}$ | FMC_A/D[15:0] valid data after FMC_CLK low | - | 3.5 | |
| $t_{d(\text{CLKL-NBLL})}$ | FMC_CLK low to FMC_NBL low | - | 2 | |
| $t_{d(\text{CLKH-NBLH})}$ | FMC_CLK high to FMC_NBL high | $T_{\text{HCLK}} + 0.5$ | - | |
| $t_{su(\text{NWAIT-CLKH})}$ | FMC_NWAIT valid before FMC_CLK high | 2 | - | |
| $t_h(\text{CLKH-NWAIT})$ | FMC_NWAIT valid after FMC_CLK high | 3.5 | - | |

1. Guaranteed by characterization results.

Figure 67. Synchronous non-multiplexed NOR/PSRAM read timings

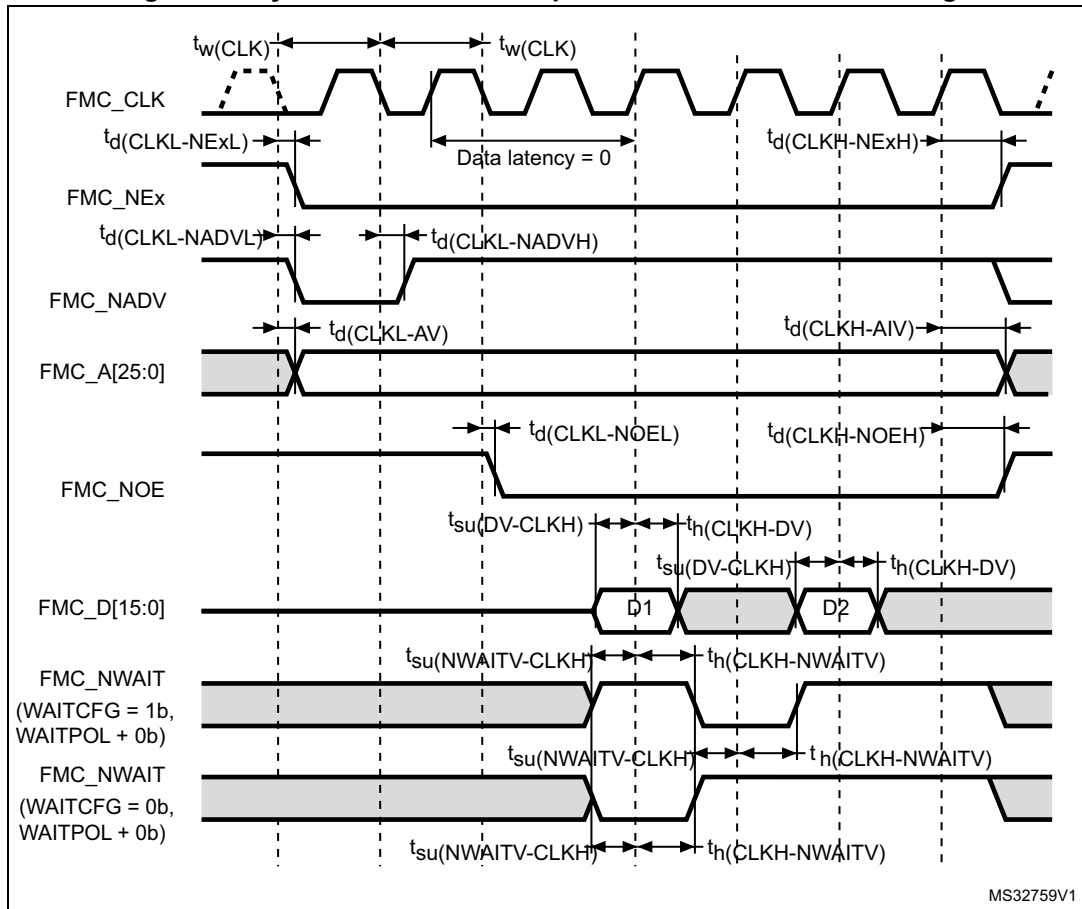


Table 110. Synchronous non-multiplexed NOR/PSRAM read timings⁽¹⁾

| Symbol | Parameter | Min | Max | Unit |
|-------------------------------------|---|--------------------------|-----|------|
| $t_w(\text{CLK})$ | FMC_CLK period | $2T_{\text{HCLK}} - 0.5$ | - | ns |
| $t_{\text{d}}(\text{CLKL-NExL})$ | FMC_CLK low to FMC_NEx low ($x=0..2$) | - | 2 | |
| $t_{\text{d}}(\text{CLKH-NExH})$ | FMC_CLK high to FMC_NEx high ($x=0..2$) | $T_{\text{HCLK}} + 0.5$ | - | |
| $t_{\text{d}}(\text{CLKL-NADV})$ | FMC_CLK low to FMC_NADV low | - | 0.5 | |
| $t_{\text{d}}(\text{CLKL-NADVH})$ | FMC_CLK low to FMC_NADV high | 0 | - | |
| $t_{\text{d}}(\text{CLKL-AV})$ | FMC_CLK low to FMC_Ax valid ($x=16..25$) | - | 2.5 | |
| $t_{\text{d}}(\text{CLKH-AIV})$ | FMC_CLK high to FMC_Ax invalid ($x=16..25$) | T_{HCLK} | - | |
| $t_{\text{d}}(\text{CLKL-NOEL})$ | FMC_CLK low to FMC_NOE low | - | 1.5 | |
| $t_{\text{d}}(\text{CLKH-NOEH})$ | FMC_CLK high to FMC_NOE high | $T_{\text{HCLK}} + 0.5$ | - | |
| $t_{\text{su}}(\text{DV-CLKH})$ | FMC_D[15:0] valid data before FMC_CLK high | 2.5 | - | |
| $t_{\text{h}}(\text{CLKH-DV})$ | FMC_D[15:0] valid data after FMC_CLK high | 2.5 | - | |
| $t_{\text{su}}(\text{NWAITV-CLKH})$ | FMC_NWAIT valid before FMC_CLK high | 3 | - | |
| $t_{\text{h}}(\text{CLKH-NWAIT})$ | FMC_NWAIT valid after FMC_CLK high | 2.5 | - | |

1. Guaranteed by characterization results.

Figure 68. Synchronous non-multiplexed PSRAM write timings

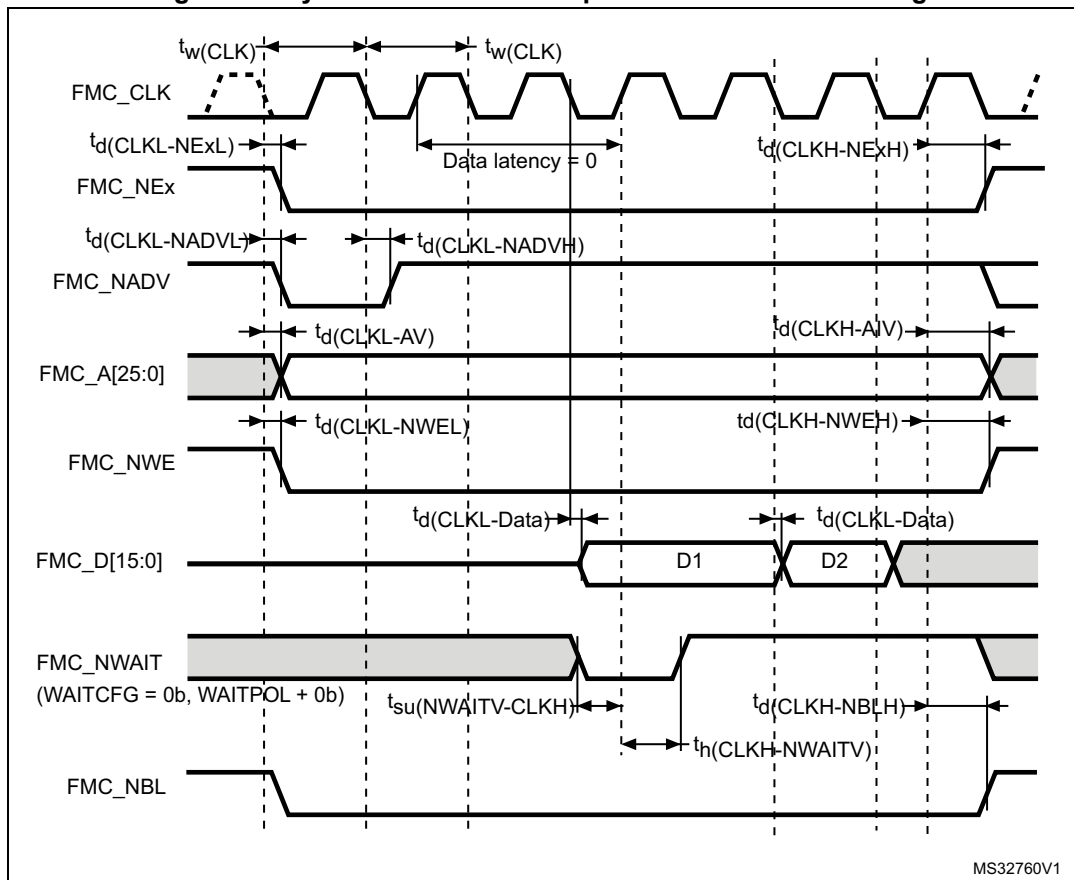


Table 111. Synchronous non-multiplexed PSRAM write timings⁽¹⁾

| Symbol | Parameter | Min | Max | Unit |
|----------------------|--|-------------------|-----|------|
| $t_{(CLK)}$ | FMC_CLK period | $2T_{HCLK} - 0.5$ | - | ns |
| $t_{d(CLKL-NExL)}$ | FMC_CLK low to FMC_NEx low (x=0..2) | - | 2 | |
| $t_{(CLKH-NExH)}$ | FMC_CLK high to FMC_NEx high (x= 0...2) | $T_{HCLK} + 0.5$ | - | |
| $t_{d(CLKL-NADVl)}$ | FMC_CLK low to FMC_NADV low | - | 0.5 | |
| $t_{d(CLKL-NADVh)}$ | FMC_CLK low to FMC_NADV high | 0 | - | |
| $t_{d(CLKL-AV)}$ | FMC_CLK low to FMC_Ax valid (x=16...25) | - | 2.5 | |
| $t_{d(CLKH-AIV)}$ | FMC_CLK high to FMC_Ax invalid (x=16...25) | T_{HCLK} | - | |
| $t_{d(CLKL-NWEL)}$ | FMC_CLK low to FMC_NWE low | - | 1.5 | |
| $t_{d(CLKH-NWEH)}$ | FMC_CLK high to FMC_NWE high | $T_{HCLK} + 1$ | - | |
| $t_{d(CLKL-Data)}$ | FMC_D[15:0] valid data after FMC_CLK low | - | 3.5 | |
| $t_{d(CLKL-NBLL)}$ | FMC_CLK low to FMC_NBL low | - | 2 | |
| $t_{d(CLKH-NBLH)}$ | FMC_CLK high to FMC_NBL high | $T_{HCLK} + 1$ | - | |
| $t_{su(NWAIT-CLKH)}$ | FMC_NWAIT valid before FMC_CLK high | 2 | - | |
| $t_{h(CLKH-NWAIT)}$ | FMC_NWAIT valid after FMC_CLK high | 3.5 | - | |

1. Guaranteed by characterization results.

NAND controller waveforms and timings

Figure 69 through Figure 72 represent synchronous waveforms, and Table 112 and Table 113 provide the corresponding timings. The results shown in this table are obtained with the following FMC configuration:

- COM.FMC_SetupTime = 0x01;
- COM.FMC_WaitSetupTime = 0x03;
- COM.FMC_HoldSetupTime = 0x02;
- COM.FMC_HiZSetupTime = 0x01;
- ATT.FMC_SetupTime = 0x01;
- ATT.FMC_WaitSetupTime = 0x03;
- ATT.FMC_HoldSetupTime = 0x02;
- ATT.FMC_HiZSetupTime = 0x01;
- Bank = FMC_Bank_NAND;
- MemoryDataWidth = FMC_MemoryDataWidth_16b;
- ECC = FMC_ECC_Enable;
- ECCPageSize = FMC_ECCPageSize_512Bytes;
- TCLRSetupTime = 0;
- TARSetupTime = 0.

In all timing tables, the T_{HCLK} is the HCLK clock period.

Figure 69. NAND controller waveforms for read access

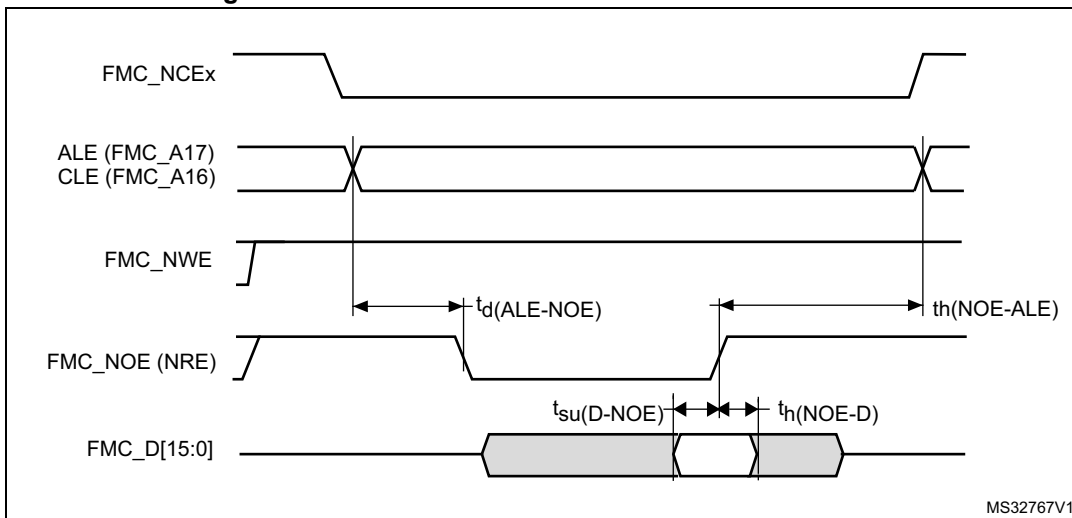


Figure 70. NAND controller waveforms for write access

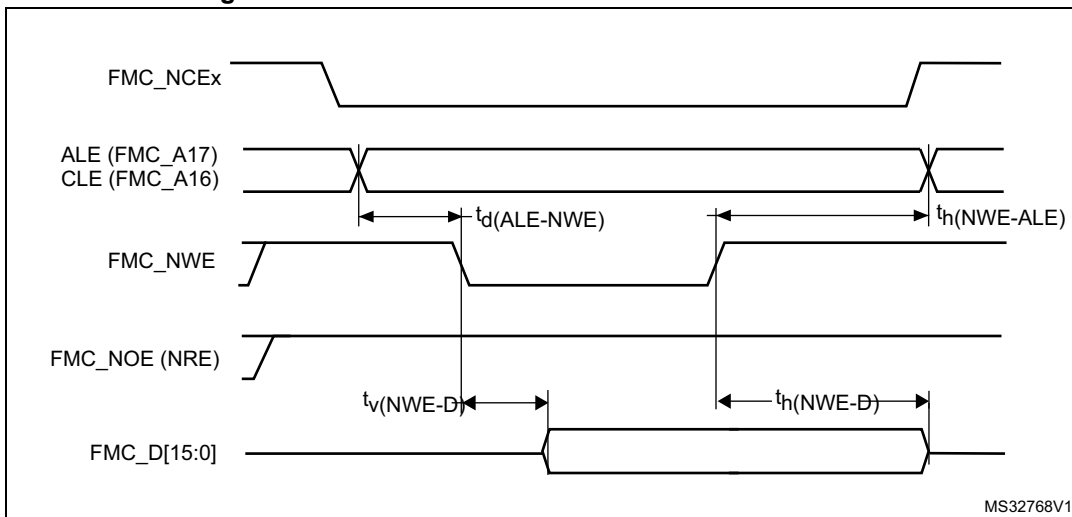
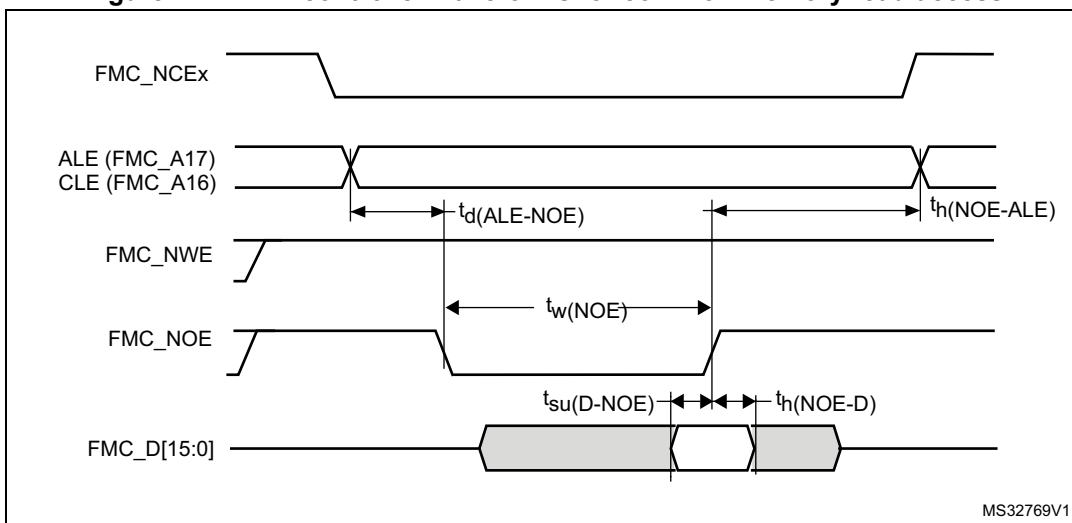
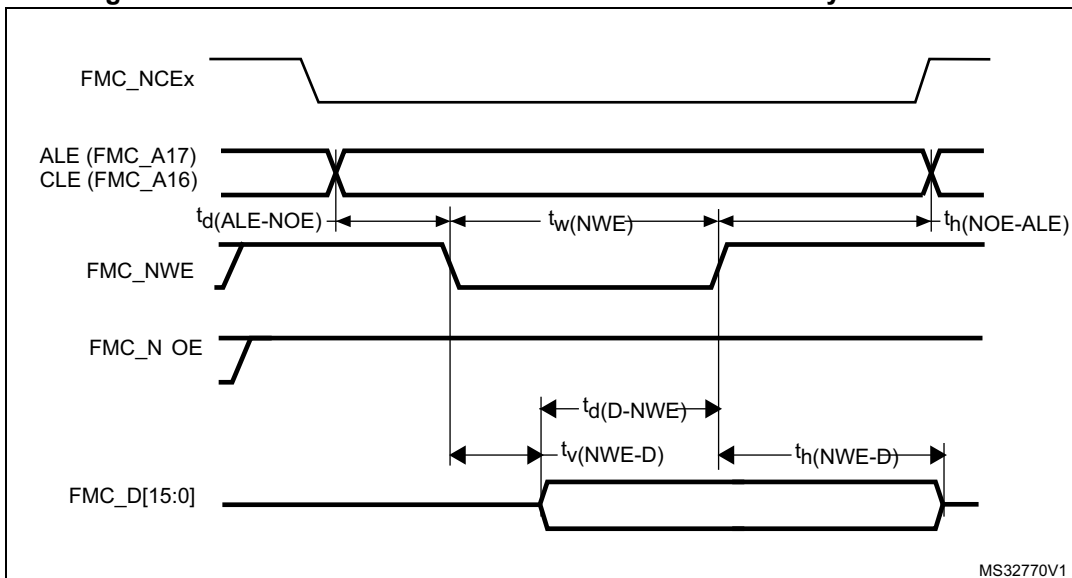


Figure 71. NAND controller waveforms for common memory read access



MS32769V1

Figure 72. NAND controller waveforms for common memory write access



MS32770V1

Table 112. Switching characteristics for NAND Flash read cycles⁽¹⁾

| Symbol | Parameter | Min | Max | Unit |
|------------------------|--|--------------------------|--------------------------|------|
| $t_w(\text{NOE})$ | FMC_NOE low width | $4T_{\text{HCLK}} - 0.5$ | $4T_{\text{HCLK}} + 0.5$ | ns |
| $t_{su}(\text{D-NOE})$ | FMC_D[15-0] valid data before FMC_NOE high | 11 | - | |
| $t_h(\text{NOE-D})$ | FMC_D[15-0] valid data after FMC_NOE high | 0 | - | |
| $t_d(\text{ALE-NOE})$ | FMC_ALE valid before FMC_NOE low | - | $3T_{\text{HCLK}} + 1$ | |
| $t_h(\text{NOE-ALE})$ | FMC_NWE high to FMC_ALE invalid | $4T_{\text{HCLK}} - 2$ | - | |

1. Guaranteed by characterization results.

Table 113. Switching characteristics for NAND Flash write cycles⁽¹⁾

| Symbol | Parameter | Min | Max | Unit |
|------------------|---------------------------------------|-------------------|-------------------|------|
| $t_{w(NWE)}$ | FMC_NWE low width | $4T_{HCLK} - 0.5$ | $4T_{HCLK} + 0.5$ | ns |
| $t_{v(NWE-D)}$ | FMC_NWE low to FMC_D[15-0] valid | 0 | - | |
| $t_{h(NWE-D)}$ | FMC_NWE high to FMC_D[15-0] invalid | $2T_{HCLK} - 1$ | - | |
| $t_{d(D-NWE)}$ | FMC_D[15-0] valid before FMC_NWE high | $5T_{HCLK} - 1$ | - | |
| $t_{d(ALE-NWE)}$ | FMC_ALE valid before FMC_NWE low | - | $3T_{HCLK} + 1$ | |
| $t_{h(NWE-ALE)}$ | FMC_NWE high to FMC_ALE invalid | $2T_{HCLK} - 2$ | - | |

1. Guaranteed by characterization results.

SDRAM waveforms and timings

- CL = 30 pF on data and address lines. CL = 10 pF on FMC_SDCLK unless otherwise specified.

In all timing tables, the T_{HCLK} is the HCLK clock period.

- For $3.0 V \leq V_{DD} \leq 3.6 V$, maximum FMC_SDCLK = 100 MHz at CL=20 pF (on FMC_SDCLK).
- For $2.7 V \leq V_{DD} \leq 3.6 V$, maximum FMC_SDCLK = 90 MHz at CL=30 pF (on FMC_SDCLK).
- For $1.71 V \leq V_{DD} < 1.9 V$, maximum FMC_SDCLK = 70 MHz at CL=10 pF (on FMC_SDCLK).

Figure 73. SDRAM read access waveforms (CL = 1)

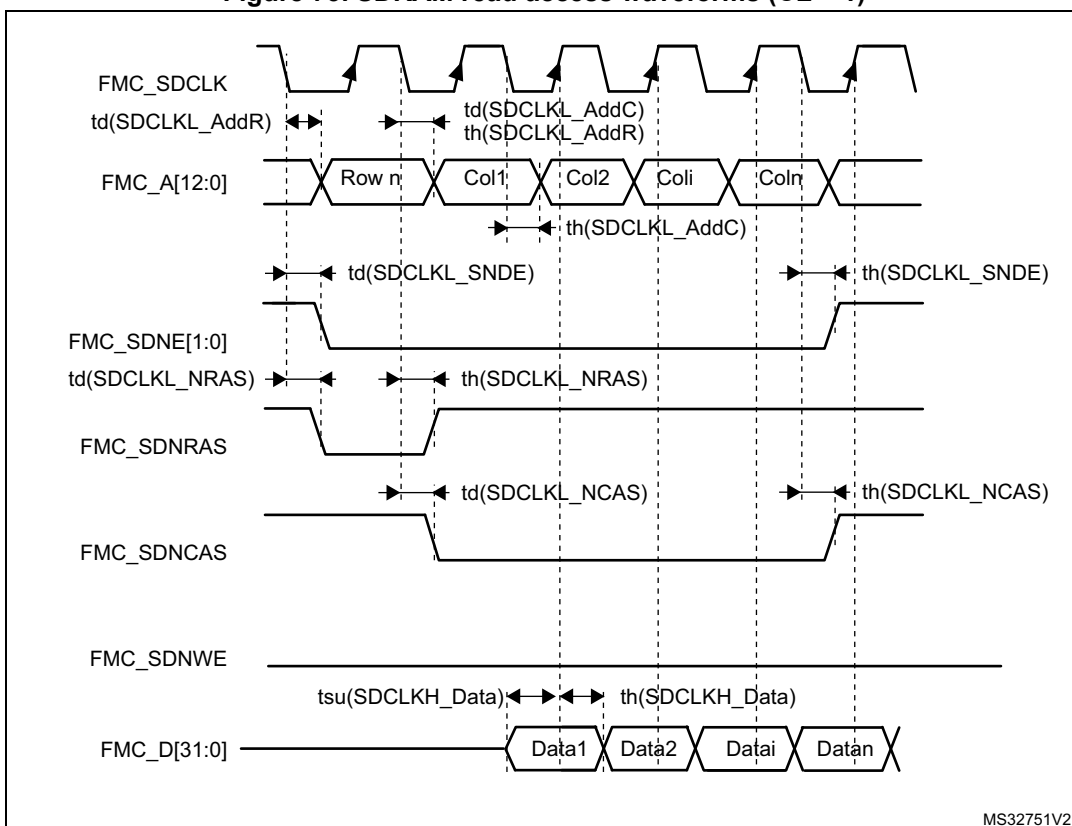


Table 114. SDRAM read timings⁽¹⁾

| Symbol | Parameter | Min | Max | Unit |
|-------------------------|------------------------|-------------------|-------------------|------|
| $t_{w(SDCLK)}$ | FMC_SDCLK period | $2T_{HCLK} - 0.5$ | $2T_{HCLK} + 0.5$ | ns |
| $t_{su(SDCLKH_Data)}$ | Data input setup time | 2.5 | - | |
| $t_{h(SDCLKH_Data)}$ | Data input hold time | 0.5 | - | |
| $t_{d(SDCLKL_Add)}$ | Address valid time | - | 3.5 | |
| $t_{d(SDCLKL_SDNE)}$ | Chip select valid time | - | 1.5 | |
| $t_{h(SDCLKL_SDNE)}$ | Chip select hold time | 0.5 | - | |
| $t_{d(SDCLKL_SDNRAS)}$ | SDNRAS valid time | - | 1 | |
| $t_{h(SDCLKL_SDNRAS)}$ | SDNRAS hold time | 0.5 | - | |
| $t_{d(SDCLKL_SDNCAS)}$ | SDNCAS valid time | - | 0.5 | |
| $t_{h(SDCLKL_SDNCAS)}$ | SDNCAS hold time | 0 | - | |

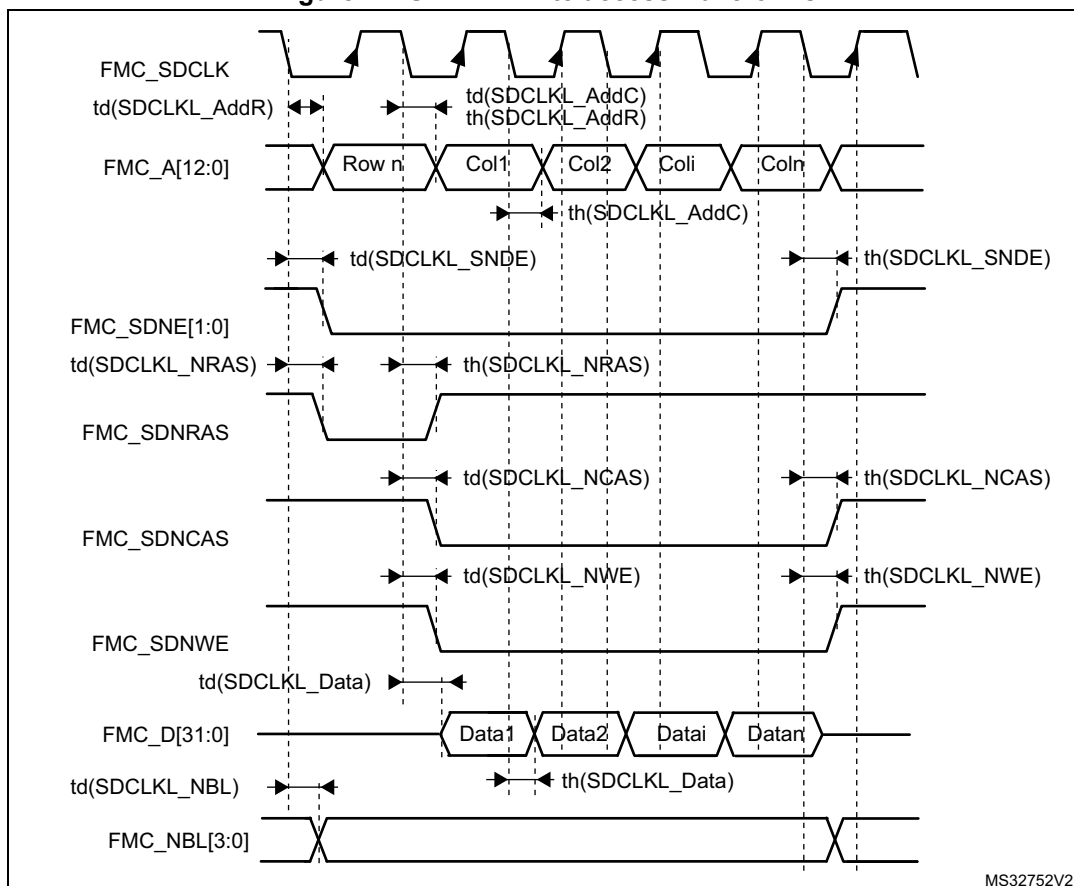
1. Guaranteed by characterization results.

Table 115. LPDDR SDRAM read timings⁽¹⁾

| Symbol | Parameter | Min | Max | Unit |
|-------------------------|------------------------|-------------------|-------------------|------|
| $t_{w(SDCLK)}$ | FMC_SDCLK period | $2T_{HCLK} - 0.5$ | $2T_{HCLK} + 0.5$ | ns |
| $t_{su(SDCLKH_Data)}$ | Data input setup time | 1 | - | |
| $t_{h(SDCLKH_Data)}$ | Data input hold time | 3.5 | - | |
| $t_{d(SDCLKL_Add)}$ | Address valid time | - | 2.5 | |
| $t_{d(SDCLKL_SDNE)}$ | Chip select valid time | - | 2.5 | |
| $t_{h(SDCLKL_SDNE)}$ | Chip select hold time | 0 | - | |
| $t_{d(SDCLKL_SDNRAS)}$ | SDNRAS valid time | - | 0.5 | |
| $t_{h(SDCLKL_SDNRAS)}$ | SDNRAS hold time | 0 | - | |
| $t_{d(SDCLKL_SDNCAS)}$ | SDNCAS valid time | - | 1.5 | |
| $t_{h(SDCLKL_SDNCAS)}$ | SDNCAS hold time | 0 | - | |

1. Guaranteed by characterization results.

Figure 74. SDRAM write access waveforms



MS32752V2

Table 116. SDRAM write timings⁽¹⁾

| Symbol | Parameter | Min | Max | Unit |
|------------------------------|------------------------|--------------------------|--------------------------|------|
| $t_w(\text{SDCLK})$ | FMC_SDCLK period | $2T_{\text{HCLK}} - 0.5$ | $2T_{\text{HCLK}} + 0.5$ | ns |
| $t_d(\text{SDCLKL_Data})$ | Data output valid time | - | 3 | |
| $t_h(\text{SDCLKL_Data})$ | Data output hold time | 0 | - | |
| $t_d(\text{SDCLKL_Add})$ | Address valid time | - | 3.5 | |
| $t_d(\text{SDCLKL_SDNWE})$ | SDNWE valid time | - | 1.5 | |
| $t_h(\text{SDCLKL_SDNWE})$ | SDNWE hold time | 0.5 | - | |
| $t_d(\text{SDCLKL_SDNE})$ | Chip select valid time | - | 1.5 | |
| $t_h(\text{SDCLKL_SDNE})$ | Chip select hold time | 0.5 | - | |
| $t_d(\text{SDCLKL_SDNRAS})$ | SDNRAS valid time | - | 1 | |
| $t_h(\text{SDCLKL_SDNRAS})$ | SDNRAS hold time | 0.5 | - | |
| $t_d(\text{SDCLKL_SDNCAS})$ | SDNCAS valid time | - | 1 | |
| $t_h(\text{SDCLKL_SDNCAS})$ | SDNCAS hold time | 0.5 | - | |

1. Guaranteed by characterization results.

Table 117. LPSDR SDRAM write timings⁽¹⁾

| Symbol | Parameter | Min | Max | Unit |
|------------------------|------------------------|-------------------|-------------------|------|
| $t_{w(SDCLK)}$ | FMC_SDCLK period | $2T_{HCLK} - 0.5$ | $2T_{HCLK} + 0.5$ | ns |
| $t_{d(SDCLKL_Data)}$ | Data output valid time | - | 2.5 | |
| $t_{h(SDCLKL_Data)}$ | Data output hold time | 0 | - | |
| $t_{d(SDCLKL_Add)}$ | Address valid time | - | 2.5 | |
| $t_{d(SDCLKL-SDNWE)}$ | SDNWE valid time | - | 2.5 | |
| $t_{h(SDCLKL-SDNWE)}$ | SDNWE hold time | 0 | - | |
| $t_{d(SDCLKL-SDNE)}$ | Chip select valid time | - | 0.5 | |
| $t_{h(SDCLKL-SDNE)}$ | Chip select hold time | 0 | - | |
| $t_{d(SDCLKL-SDNRAS)}$ | SDNRAS valid time | - | 1.5 | |
| $t_{h(SDCLKL-SDNRAS)}$ | SDNRAS hold time | 0 | - | |
| $t_{d(SDCLKL-SDNCAS)}$ | SDNCAS valid time | - | 1.5 | |
| $t_{d(SDCLKL-SDNCAS)}$ | SDNCAS hold time | 0 | - | |

1. Guaranteed by characterization results.

6.3.31 Quad-SPI interface characteristics

Unless otherwise specified, the parameters given in [Table 118](#) and [Table 119](#) for Quad-SPI are derived from tests performed under the ambient temperature, f_{AHB} frequency and V_{DD} supply voltage conditions summarized in [Table 17: General operating conditions](#), with the following configuration:

- Output speed is set to $OSPEEDRy[1:0] = 11$
- Capacitive load $C = 20$ pF
- Measurement points are done at CMOS levels: $0.5 \times V_{DD}$

Refer to [Section 6.3.20: I/O port characteristics](#) for more details on the input/output alternate function characteristics.

Table 118. QUADSPI characteristics in SDR mode⁽¹⁾

| Symbol | Parameter | Conditions | Min | Typ | Max | Unit |
|------------------------|---------------------------------|--|-------------------------|-----|-------------------------|------|
| Fck1/t _(CK) | QUADSPI clock frequency | 2.7 V ≤ V _{DD} < 3.6 V CL=20 pF | - | - | 108 | MHz |
| | | 1.71 V < V _{DD} < 3.6 V CL=15 pF | - | - | 100 | |
| t _{w(CKH)} | QUADSPI clock high and low time | - | t _{(CK)/2} - 1 | - | t _{(CK)/2} | ns |
| t _{w(CKL)} | | | t _{(CK)/2} | - | t _{(CK)/2} + 1 | |
| t _{s(IN)} | Data input setup time | 2.7 V < V _{DD} < 3.6 V | 1.5 | - | - | |
| | | 1.71 V < V _{DD} < 3.6 V | 1.5 | - | - | |
| t _{h(IN)} | Data input hold time | 2.7 V < V _{DD} < 3.6 V | 1.5 | - | - | |
| | | 1.71 V < V _{DD} < 3.6 V | 2 | - | - | |
| t _{v(OUT)} | Data output valid time | 2.7 V < V _{DD} < 3.6 V | - | 1.5 | 2 | |
| | | 1.71 V < V _{DD} < 3.6 V | - | 1.5 | 3.5 | |
| t _{h(OUT)} | Data output hold time | - | 0.5 | - | - | |

1. Guaranteed by characterization results.

Table 119. QUADSPI characteristics in DDR mode⁽¹⁾

| Symbol | Parameter | Conditions | Min | Typ | Max | Unit |
|------------------------|-------------------------|--|-----|-----|-----|------|
| Fck1/t _(CK) | QUADSPI clock frequency | 2.7 V < V _{DD} < 3.6 V CL=20 pF | - | - | 80 | MHz |
| | | 1.8 V < V _{DD} < 3.6 V CL=15 pF | - | - | 80 | |
| | | 1.71 V < V _{DD} < 3.6 V CL=10 pF | - | - | 80 | |

Table 119. QUADSPI characteristics in DDR mode⁽¹⁾ (continued)

| Symbol | Parameter | Conditions | Min | Typ | Max | Unit |
|----------------------------------|---------------------------------|---|--------------------|--------------------|--------------------|------|
| $t_{w(CKH)}$ | QUADSPI clock high and low time | - | $t_{(CK)}/2 - 1$ | - | $t_{(CK)}/2$ | ns |
| $t_{w(CKL)}$ | | | $t_{(CK)}/2$ | - | $t_{(CK)}/2 + 1$ | |
| $t_{s(IN)}$, $t_{sf(IN)}$ | Data input setup time | $1.71\text{ V} < V_{DD} < 3.6\text{ V}$ | 1.75 | - | - | |
| $t_{hr(IN)}$, $t_{hf(IN)}$ | Data input hold time | $2.7\text{ V} < V_{DD} < 3.6\text{ V}$ | 1 | - | - | |
| | | $1.71\text{ V} < V_{DD} < 3.6\text{ V}$ | 2 | - | - | |
| $t_{vr(OUT)}$, $t_{vf(OUT)}$ | Data output valid time | $2.7\text{ V} < V_{DD} < 3.6\text{ V}$ | - | 8.5 | 10 | |
| | | $1.71\text{ V} < V_{DD} < 3.6\text{ V}$ DHHC=0 | - | 8 | 12 | |
| | | DHHC=1 Pres=1, 2... | - | $T_{HCLK}/2 + 1.5$ | $T_{HCLK}/2 + 2.5$ | |
| $t_{hr(OUT)}$, $t_{hf(OUT)}$ | Data output hold time | DHHC=0 | 7.5 | - | - | |
| | | DHHC=1 Pres=1, 2... | $T_{HCLK}/2 + 0.5$ | - | - | |

1. Guaranteed by characterization results.

Figure 75. Quad-SPI timing diagram - SDR mode

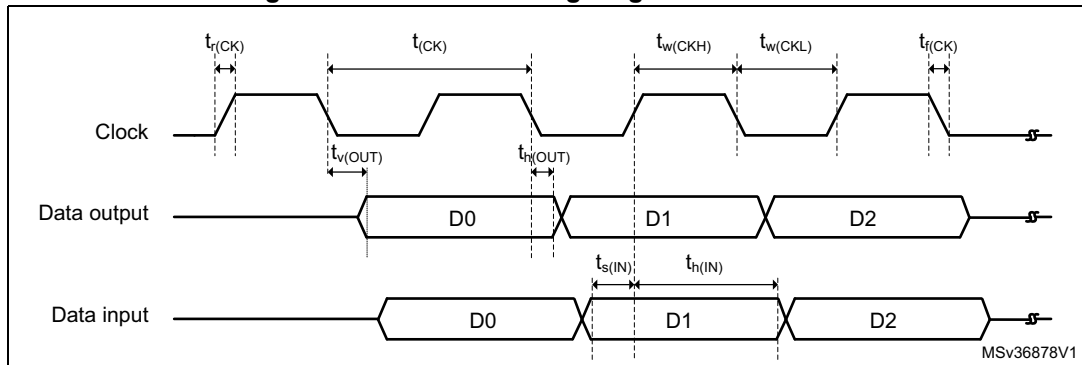
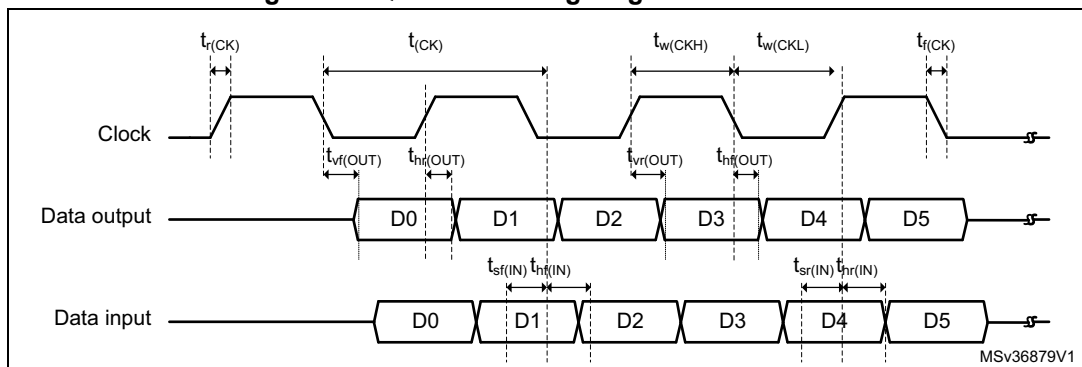


Figure 76. Quad-SPI timing diagram - DDR mode



6.3.32 Camera interface (DCMI) timing specifications

Unless otherwise specified, the parameters given in [Table 120](#) for DCMI are derived from tests performed under the ambient temperature, f_{HCLK} frequency and V_{DD} supply voltage summarized in [Table 17](#), with the following configuration:

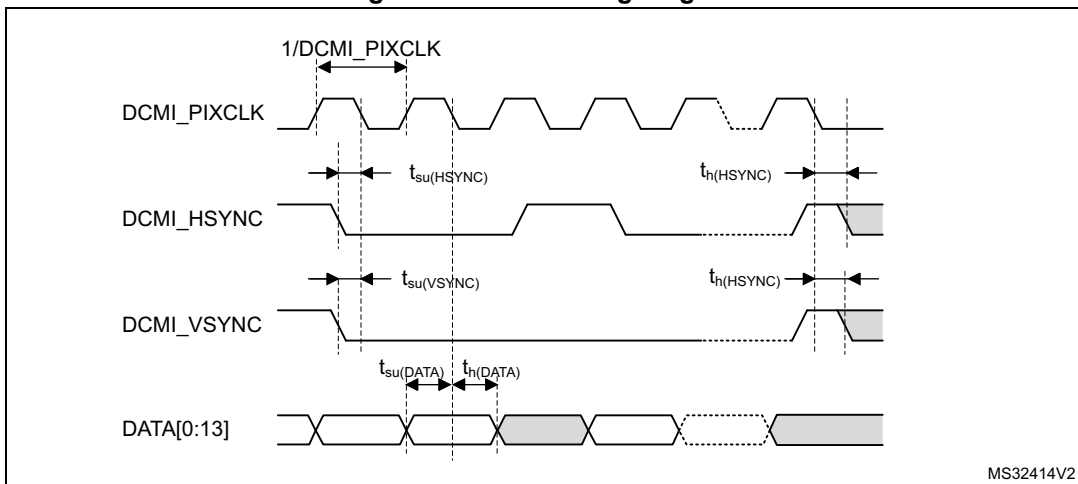
- DCMI_PIXCLK polarity: falling
- DCMI_VSYNC and DCMI_HSYNC polarity: high
- Data formats: 14 bits

Table 120. DCMI characteristics⁽¹⁾

| Symbol | Parameter | Min | Max | Unit |
|------------------------------------|---|-----|-----|------|
| - | Frequency ratio DCMI_PIXCLK/ f_{HCLK} | - | 0.4 | - |
| DCMI_PIXCLK | Pixel clock input | - | 54 | MHz |
| D_{Pixel} | Pixel clock input duty cycle | 30 | 70 | % |
| $t_{su}(DATA)$ | Data input setup time | 2 | - | ns |
| $t_h(DATA)$ | Data input hold time | 0.5 | - | |
| $t_{su}(HSYNC)$ $t_{su}(VSYNC)$ | DCMI_HSYNC/DCMI_VSYNC input setup time | 2.5 | - | |
| $t_h(HSYNC)$ $t_h(VSYNC)$ | DCMI_HSYNC/DCMI_VSYNC input hold time | 3 | - | |

1. Guaranteed by characterization results.

Figure 77. DCMI timing diagram



6.3.33 LCD-TFT controller (LTDC) characteristics

Unless otherwise specified, the parameters given in [Table 121](#) for LCD-TFT are derived from tests performed under the ambient temperature, f_{HCLK} frequency and V_{DD} supply voltage summarized in [Table 17](#), with the following configuration:

- LCD_CLK polarity: high
- LCD_DE polarity: low
- LCD_VSYNC and LCD_HSYNC polarity: high
- Pixel formats: 24 bits

Table 121. LTDC characteristics ⁽¹⁾

| Symbol | Parameter | Min | Max | Unit |
|---|----------------------------------|----------------------------------|----------------------------------|------|
| f_{CLK} | LTDC clock output frequency | - | 83 | MHz |
| D_{CLK} | LTDC clock output duty cycle | 45 | 55 | % |
| $t_{\text{w}}(\text{CLKH}),$ $t_{\text{w}}(\text{CLKL})$ | Clock High time, low time | $t_{\text{w}}(\text{CLK})/2-0.5$ | $t_{\text{w}}(\text{CLK})/2+0.5$ | ns |
| $t_{\text{v}}(\text{DATA})$ | Data output valid time | - | 6 | |
| $t_{\text{h}}(\text{DATA})$ | Data output hold time | 0 | - | |
| $t_{\text{v}}(\text{HSYNC}),$ $t_{\text{v}}(\text{VSYNC}),$ $t_{\text{v}}(\text{DE})$ | HSYNC/VSYNC/DE output valid time | - | 3.5 | |
| $t_{\text{h}}(\text{HSYNC}),$ $t_{\text{h}}(\text{VSYNC}),$ $t_{\text{h}}(\text{DE})$ | HSYNC/VSYNC/DE output hold time | 0.5 | - | |

1. Guaranteed by characterization results.

Figure 78. LCD-TFT horizontal timing diagram

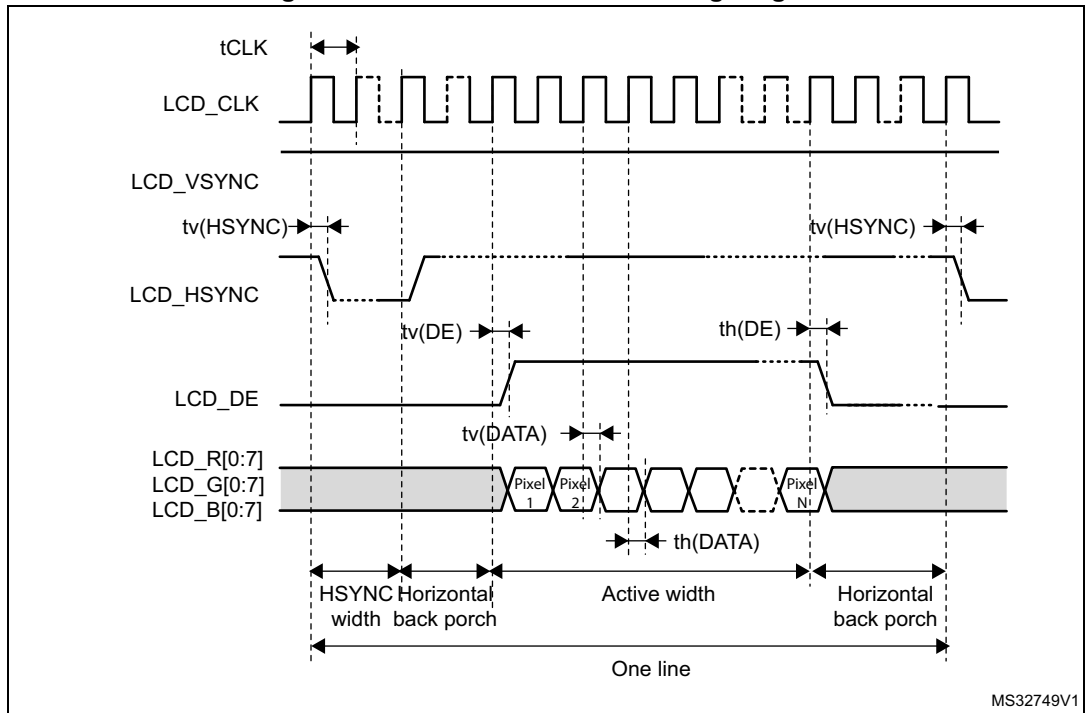
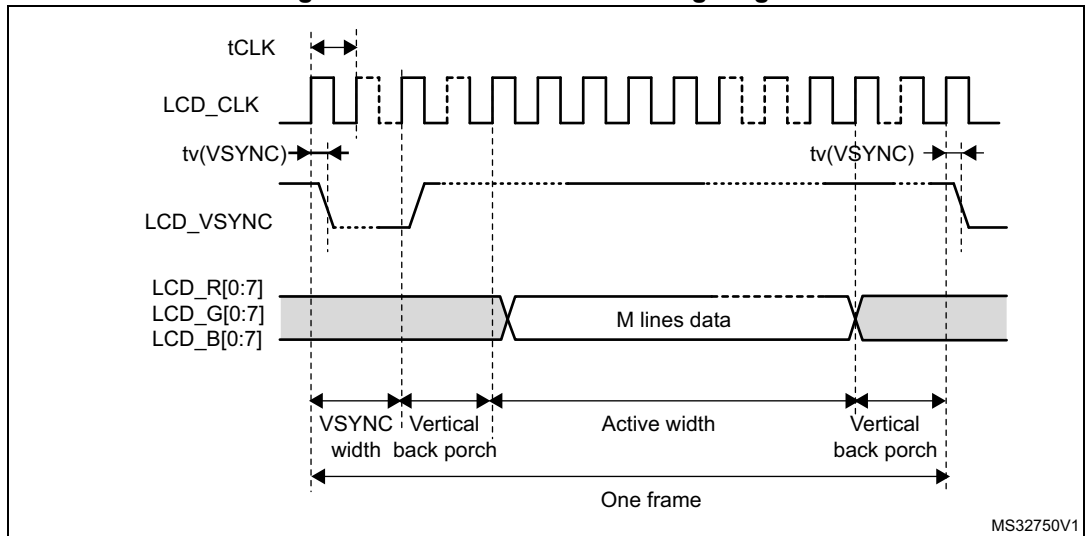


Figure 79. LCD-TFT vertical timing diagram



6.3.34 Digital filter for Sigma-Delta Modulators (DFSDM) characteristics

Unless otherwise specified, the parameters given in [Table 122](#) for DFSDM are derived from tests performed under the ambient temperature, f_{PCLK2} frequency and V_{DD} supply voltage summarized in [Table 17](#), with the following configuration:

- Output speed is set to $OSPEEDRy[1:0] = 10$
- Capacitive load $C = 30\text{pF}$
- Measurement points are done at CMOS levels: $0.5 \times V_{DD}$

Refer to [Section 6.3.20: I/O port characteristics](#) for more details on the input/output alternate function characteristics (DFSDM1_CKINx, DFSDM1_DATINx, DFSDM1_CKOUT for DFSDM1).

Table 122. DFSDM measured timing 1.71-3.6V

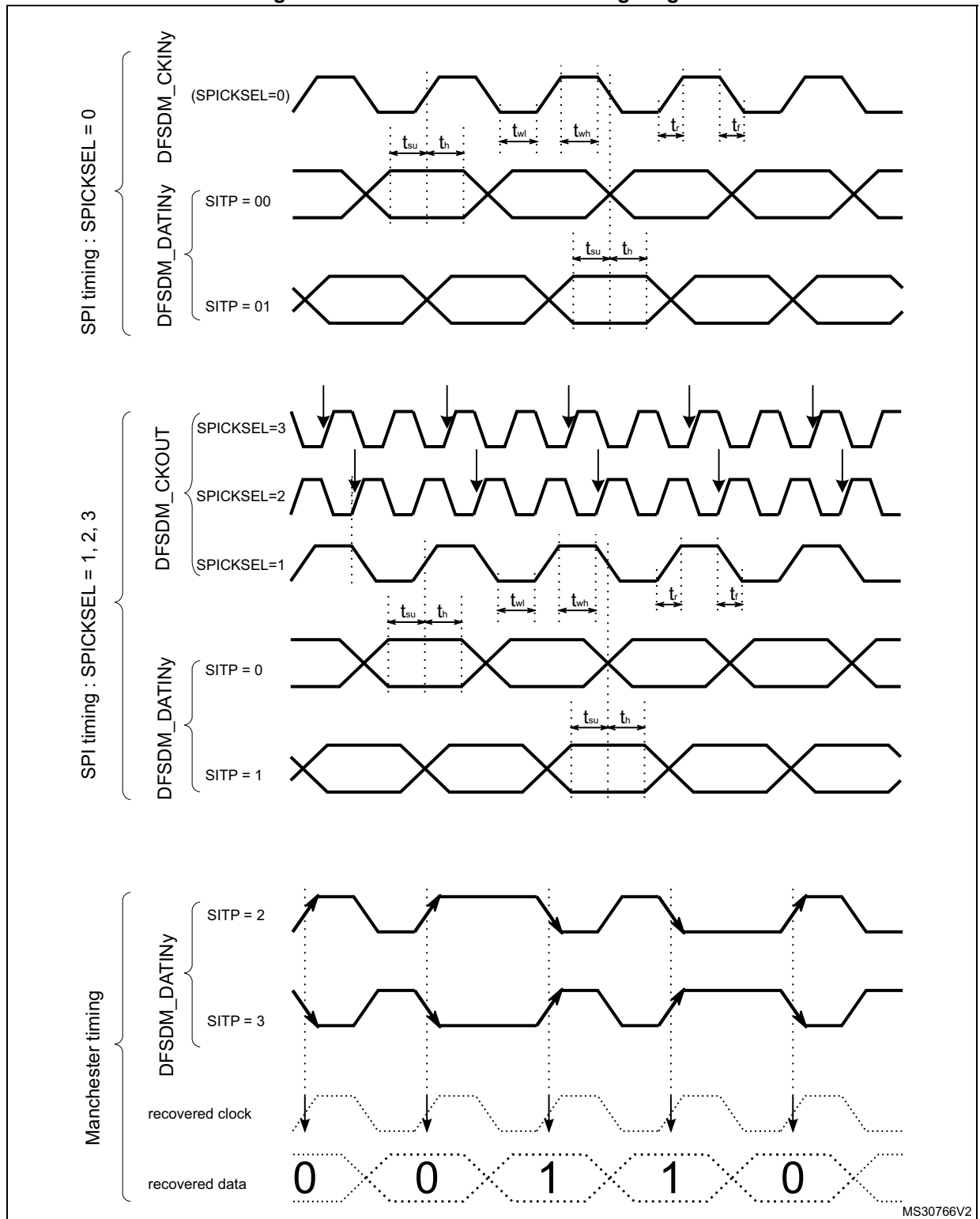
| Symbol | Parameter | Conditions | Min | Typ | Max | Unit |
|--------------------------------|-----------------------------------|---|-----|-----|----------------------------|------|
| $f_{DFSDMCLK}$ | DFSDM clock | $1.71 < V_{DD} < 3.6 \text{ V}$ | - | - | f_{SYSCLK} | |
| f_{CKIN} ($1/T_{CKIN}$) | Input clock frequency | SPI mode (SITP[1:0]=0,1), External clock mode (SPICKSEL[1:0]=0), $1.71 < V_{DD} < 3.6 \text{ V}$ | - | - | 20 ($f_{DFSDMCLK}/4$) | MHz |
| | | SPI mode (SITP[1:0]=0,1), External clock mode (SPICKSEL[1:0]=0), $2.7 < V_{DD} < 3.6 \text{ V}$ | - | - | 20 ($f_{DFSDMCLK}/4$) | |
| | | SPI mode (SITP[1:0]=0,1), Internal clock mode (SPICKSEL[1:0]≠0), $1.71 < V_{DD} < 3.6 \text{ V}$ | - | - | 20 ($f_{DFSDMCLK}/4$) | |
| | | SPI mode (SITP[1:0]=0,1), Internal clock mode (SPICKSEL[1:0]≠0), $2.7 < V_{DD} < 3.6 \text{ V}$ | - | - | 20 ($f_{DFSDMCLK}/4$) | |
| f_{CKOUT} | Output clock frequency | $1.71 < V_{DD} < 3.6 \text{ V}$ | - | - | 20 | |
| DuCy _{CKOUT} | Output clock frequency duty cycle | $1.71 < V_{DD} < 3.6 \text{ V}$ | 45 | 50 | 55 | % |

Table 122. DFSDM measured timing 1.71-3.6V (continued)

| Symbol | Parameter | Conditions | Min | Typ | Max | Unit |
|----------------------------------|---|--|---|----------------------|---|------|
| $t_{wh(CKIN)}$ $t_{wl(CKIN)}$ | Input clock high and low time | SPI mode (SITP[1:0]=0,1), External clock mode (SPICKSEL[1:0]=0), 1.71 < V _{DD} < 3.6 V | TCKIN/2 - 0.5 | T _{CKIN} /2 | - | ns |
| t_{su} | Data input setup time | SPI mode (SITP[1:0]=0,1), External clock mode (SPICKSEL[1:0]=0), 1.71 < V _{DD} < 3.6 V | 2 | - | - | |
| t_h | Data input hold time | SPI mode (SITP[1:0]=0,1), External clock mode (SPICKSEL[1:0]=0), 1.71 < V _{DD} < 3.6 V | 3 | - | - | |
| T _{Manchester} | Manchester data period (recovered clock period) | Manchester mode (SITP[1:0]=2,3), Internal clock mode (SPICKSEL[1:0]≠0), 1.71 < V _{DD} < 3.6 V | (CKOUTDIV+1) * T _{DFSDMCLK} | - | (2*CKOUTDIV) * T _{DFSDMCLK} | |

6.3.35 DFSDM timing diagrams

Figure 80. Channel transceiver timing diagrams



6.3.36 SD/SDIO MMC card host interface (SDMMC) characteristics

Unless otherwise specified, the parameters given in [Table 123](#) for the SDIO/MMC interface are derived from tests performed under the ambient temperature, f_{PCLK2} frequency and V_{DD} supply voltage conditions summarized in [Table 17](#), with the following configuration:

- Output speed is set to $OSPEEDRy[1:0] = 11$
- Capacitive load $C = 30\text{ pF}$
- Measurement points are done at CMOS levels: $0.5V_{DD}$

Refer to [Section 6.3.20: I/O port characteristics](#) for more details on the input/output characteristics.

Figure 81. SDIO high-speed mode

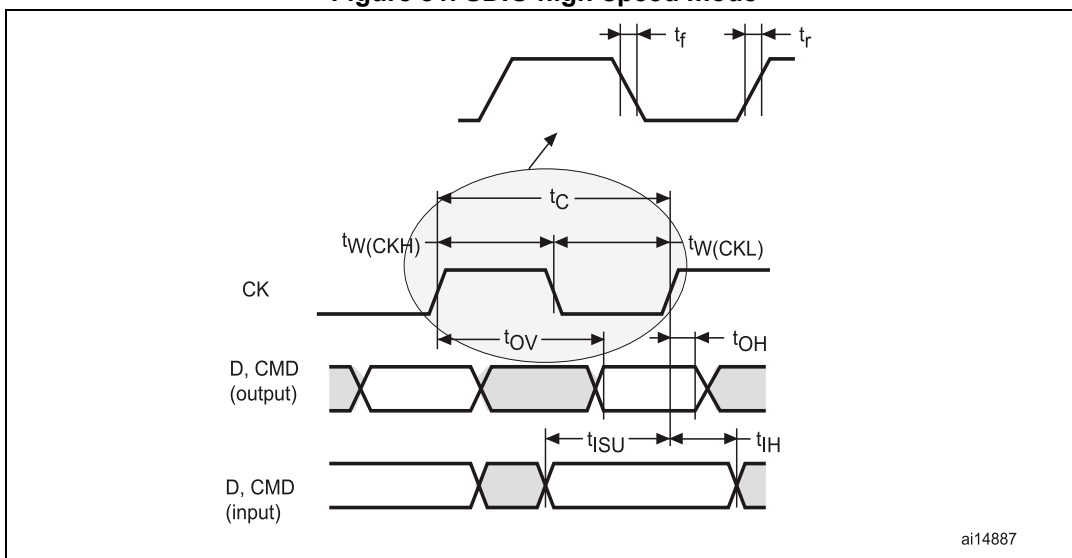


Figure 82. SD default mode

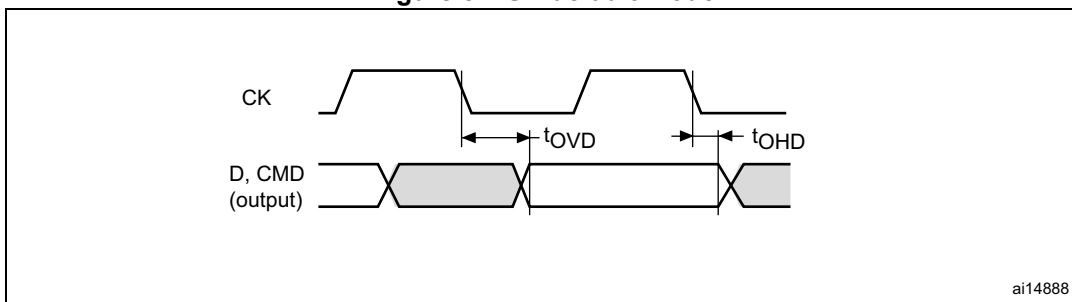


Table 123. Dynamic characteristics: SD / MMC characteristics, $V_{DD}=2.7V$ to $3.6V^{(1)}$

| Symbol | Parameter | Conditions | Min | Typ | Max | Unit |
|--|---------------------------------------|-------------------|-----|------|-----|------|
| f_{PP} | Clock frequency in data transfer mode | - | 0 | - | 50 | MHz |
| - | SDMMC_CK/fPCLK2 frequency ratio | - | - | - | 8/3 | - |
| $t_{W(CKL)}$ | Clock low time | $f_{pp} = 50$ MHz | 9.5 | 10.5 | - | ns |
| $t_{W(CKH)}$ | Clock high time | $f_{pp} = 50$ MHz | 8.5 | 9.5 | - | |
| CMD, D inputs (referenced to CK) in MMC and SD HS mode | | | | | | |
| t_{ISU} | Input setup time HS | $f_{pp} = 50$ MHz | 4.5 | - | - | ns |
| t_{IH} | Input hold time HS | $f_{pp} = 50$ MHz | 1.5 | - | - | |
| CMD, D outputs (referenced to CK) in MMC and SD HS mode | | | | | | |
| t_{OV} | Output valid time HS | $f_{pp} = 50$ MHz | - | 11 | 12 | ns |
| t_{OH} | Output hold time HS | $f_{pp} = 50$ MHz | 9 | - | - | |
| CMD, D inputs (referenced to CK) in SD default mode | | | | | | |
| t_{ISUD} | Input setup time SD | $f_{pp} = 25$ MHz | 4.5 | - | - | ns |
| t_{IHD} | Input hold time SD | $f_{pp} = 25$ MHz | 1.5 | - | - | |
| CMD, D outputs (referenced to CK) in SD default mode | | | | | | |
| t_{OVD} | Output valid default time SD | $f_{pp} = 25$ MHz | - | 0.5 | 1.5 | ns |
| t_{OHD} | Output hold default time SD | $f_{pp} = 25$ MHz | 0 | - | - | |

1. Guaranteed by characterization results.

Table 124. Dynamic characteristics: eMMC characteristics, $V_{DD}=1.71V$ to $1.9V^{(1)(2)}$

| Symbol | Parameter | Conditions | Min | Typ | Max | Unit |
|---|---------------------------------------|-------------------|-----|------|------|------|
| f_{PP} | Clock frequency in data transfer mode | - | 0 | - | 50 | MHz |
| - | SDMMC_CK/fPCLK2 frequency ratio | - | - | - | 8/3 | - |
| $t_{W(CKL)}$ | Clock low time | $f_{pp} = 50$ MHz | 9.5 | 10.5 | - | ns |
| $t_{W(CKH)}$ | Clock high time | $f_{pp} = 50$ MHz | 8.5 | 9.5 | - | |
| CMD, D inputs (referenced to CK) in eMMC mode | | | | | | |
| t_{ISU} | Input setup time HS | $f_{pp} = 50$ MHz | 4 | - | - | ns |
| t_{IH} | Input hold time HS | $f_{pp} = 50$ MHz | 3 | - | - | |
| CMD, D outputs (referenced to CK) in eMMC mode | | | | | | |
| t_{OV} | Output valid time HS | $f_{pp} = 50$ MHz | - | 11 | 15.5 | ns |
| t_{OH} | Output hold time HS | $f_{pp} = 50$ MHz | 9.5 | - | - | |

1. Guaranteed by characterization results.

2. $C_{load} = 20$ pF.

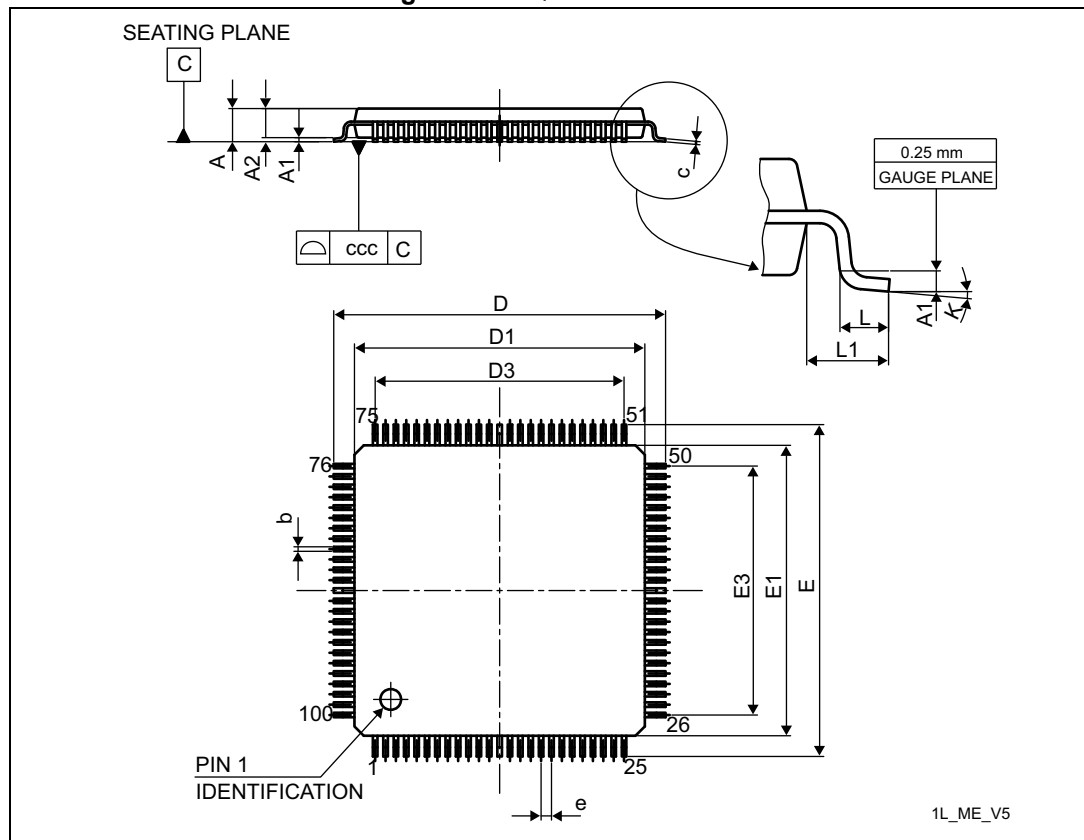
7 Package information

In order to meet environmental requirements, ST offers these devices in different grades of ECOPACK packages, depending on their level of environmental compliance. ECOPACK specifications, grade definitions and product status are available at: www.st.com. ECOPACK is an ST trademark.

7.1 LQFP100 package information

LQFP100 is a 100-pin, 14 x 14 mm low-profile quad flat package.

Figure 83. LQFP100 outline



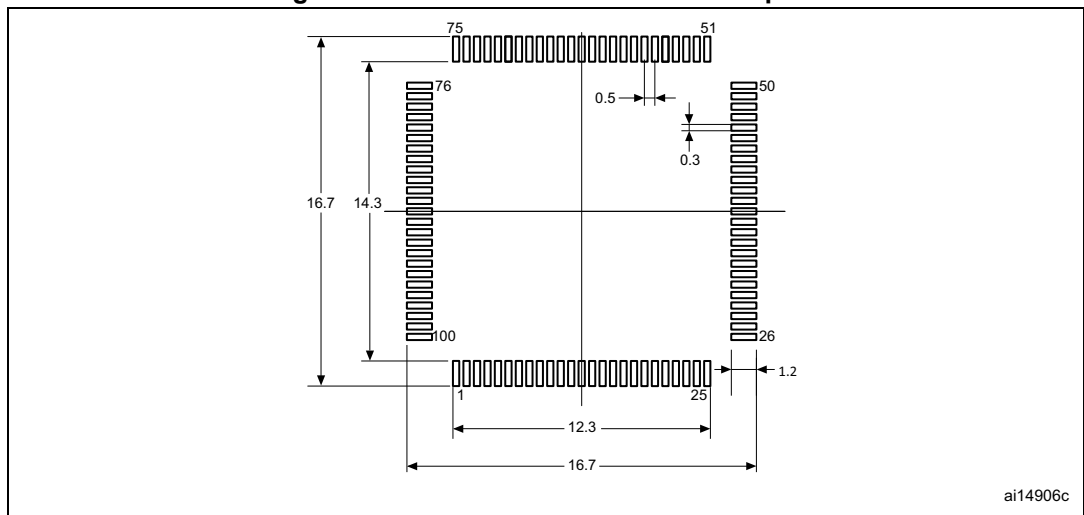
1. Drawing is not to scale.

Table 125. LQPF100 mechanical data

| Symbol | millimeters | | | inches ⁽¹⁾ | | |
|--------|-------------|--------|--------|-----------------------|--------|--------|
| | Min | Typ | Max | Min | Typ | Max |
| A | - | - | 1.600 | - | - | 0.0630 |
| A1 | 0.050 | - | 0.150 | 0.0020 | - | 0.0059 |
| A2 | 1.350 | 1.400 | 1.450 | 0.0531 | 0.0551 | 0.0571 |
| b | 0.170 | 0.220 | 0.270 | 0.0067 | 0.0087 | 0.0106 |
| c | 0.090 | - | 0.200 | 0.0035 | - | 0.0079 |
| D | 15.800 | 16.000 | 16.200 | 0.6220 | 0.6299 | 0.6378 |
| D1 | 13.800 | 14.000 | 14.200 | 0.5433 | 0.5512 | 0.5591 |
| D3 | - | 12.000 | - | - | 0.4724 | - |
| E | 15.800 | 16.000 | 16.200 | 0.6220 | 0.6299 | 0.6378 |
| E1 | 13.800 | 14.000 | 14.200 | 0.5433 | 0.5512 | 0.5591 |
| E3 | - | 12.000 | - | - | 0.4724 | - |
| e | - | 0.500 | - | - | 0.0197 | - |
| L | 0.450 | 0.600 | 0.750 | 0.0177 | 0.0236 | 0.0295 |
| L1 | - | 1.000 | - | - | 0.0394 | - |
| k | 0° | 3.5° | 7° | 0° | 3.5° | 7° |
| ccc | - | - | 0.080 | - | - | 0.0031 |

1. Values in inches are converted from mm and rounded to 4 decimal digits.

Figure 84. LQFP100 recommended footprint



1. Dimensions are expressed in millimeters.

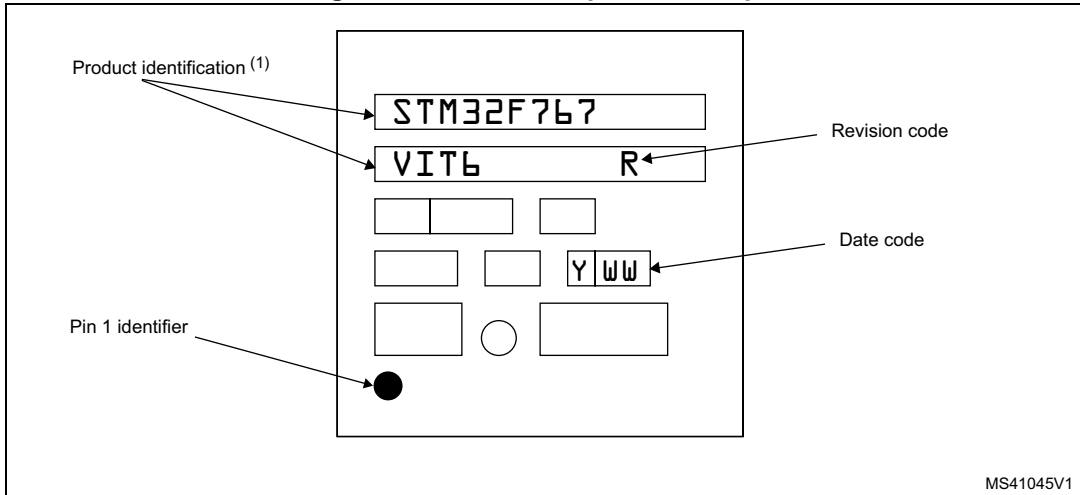
LQFP100 device making

The following figure gives an example of topside marking orientation versus pin 1 identifier location.

The printed markings may differ depending on the supply chain.

Other optional marking or inset/upset marks, which identify the parts throughout supply chain operations, are not indicated below.

Figure 85. LQFP100 top view example

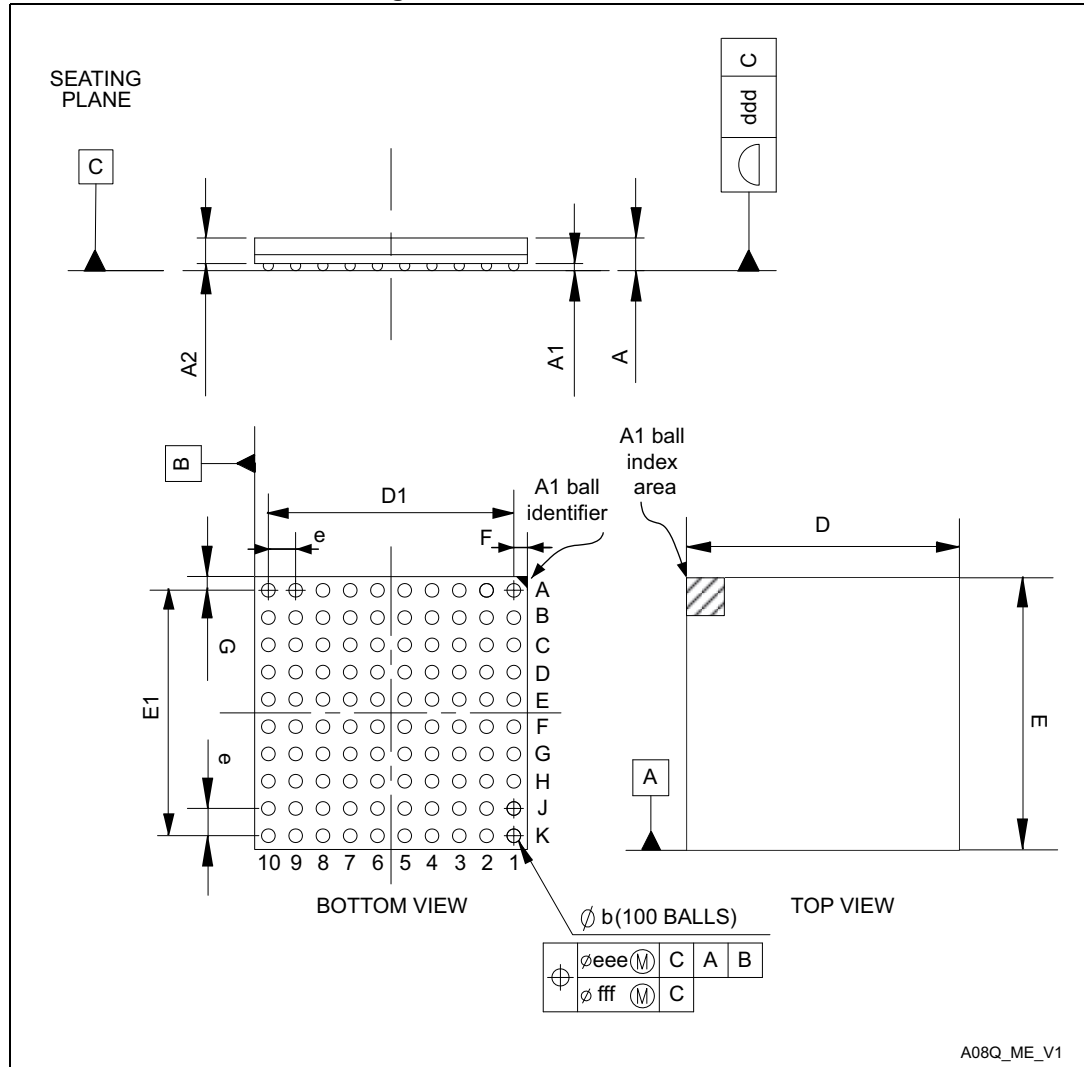


1. Parts marked as ES or E or accompanied by an engineering sample notification letter are not yet qualified and therefore not approved for use in production. ST is not responsible for any consequences resulting from such use. In no event will ST be liable for the customer using any of these engineering samples in production. ST's Quality department must be contacted prior to any decision to use these engineering samples to run a qualification activity.

7.2 TFBGA100 package information

TFBGA100 is a 100-ball, 8 x 8 x 0.8 mm thin fine-pitch ball grid array package.

Figure 86. TFBGA100 outline



1. Drawing is not to scale.

Table 126. TFBGA100 mechanical data

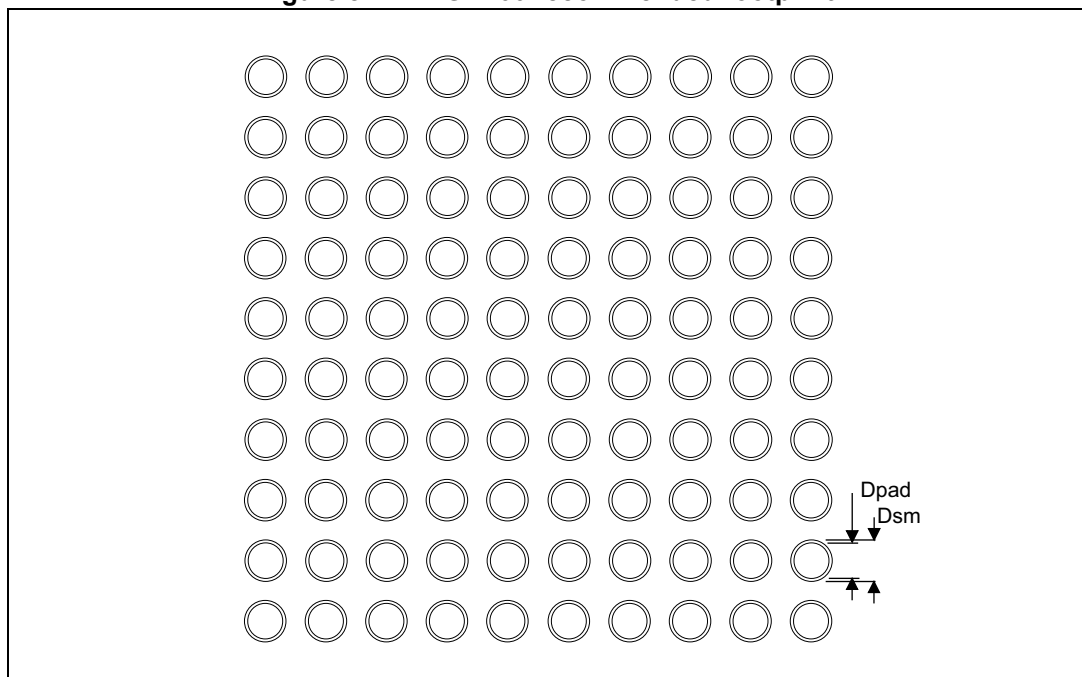
| Symbol | millimeters | | | inches ⁽¹⁾ | | |
|--------|-------------|-------|-------|-----------------------|--------|--------|
| | Min | Typ | Max | Min | Typ | Max |
| A | - | - | 1.100 | - | - | 0.0433 |
| A1 | 0.150 | - | - | 0.0059 | - | - |
| A2 | - | 0.760 | - | - | 0.0299 | - |
| b | 0.350 | 0.400 | 0.450 | 0.0138 | 0.0157 | 0.0177 |
| D | 7.850 | 8.000 | 8.150 | 0.3091 | 0.3150 | 0.3209 |

Table 126. TFBGA100 mechanical data (continued)

| Symbol | millimeters | | | inches ⁽¹⁾ | | |
|--------|-------------|-------|-------|-----------------------|--------|--------|
| | Min | Typ | Max | Min | Typ | Max |
| D1 | - | 7.200 | - | - | 0.2835 | - |
| E | 7.850 | 8.000 | 8.150 | 0.3091 | 0.3150 | 0.3209 |
| E1 | - | 7.200 | - | - | 0.2835 | - |
| e | - | 0.800 | - | - | 0.0315 | - |
| F | - | 0.400 | - | - | 0.0157 | - |
| G | - | 0.400 | - | - | 0.0157 | - |
| ddd | - | - | 0.100 | - | - | 0.0039 |
| eee | - | - | 0.150 | - | - | 0.0059 |
| fff | - | - | 0.080 | - | - | 0.0031 |

1. Values in inches are converted from mm and rounded to 4 decimal digits.

Figure 87. TFBGA100 recommended footprint



1. Dimensions are expressed in millimeters.

Table 127. TFBGA100 recommended PCB design rules (0.8 mm pitch BGA)

| Dimension | Recommended values |
|-------------------|---|
| Pitch | 0.8 |
| Dpad | 0.400 mm |
| Dsm | 0.470 mm typ (depends on the soldermask registration tolerance) |
| Stencil opening | 0.400 mm |
| Stencil thickness | Between 0.100 mm and 0.125 mm |
| Pad trace width | 0.120 mm |

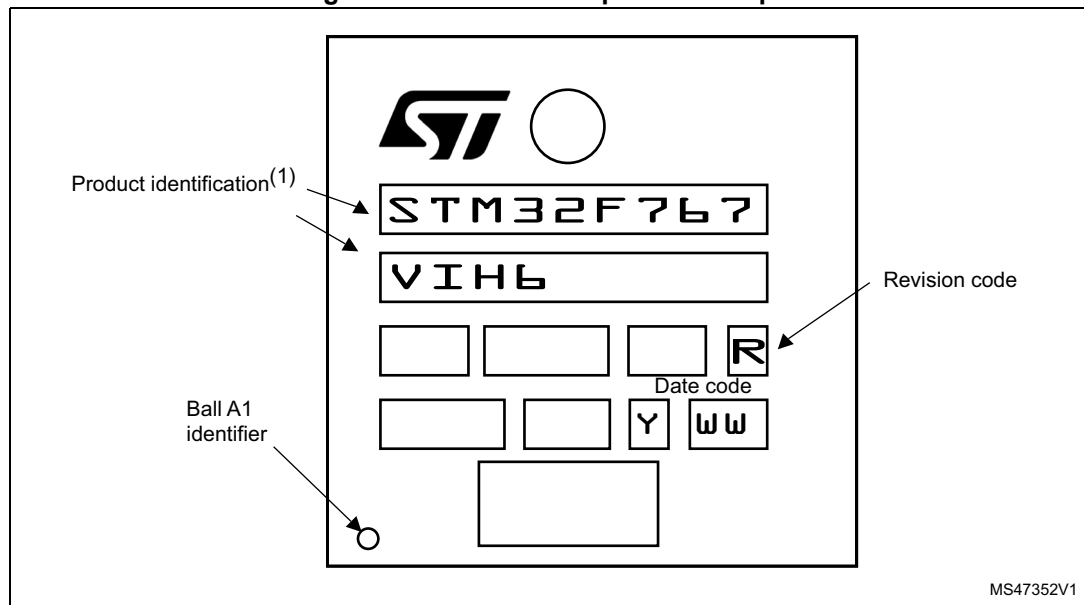
TFBGA100 device marking

The following figure gives an example of topside marking orientation versus ball A1 identifier location.

The printed markings may differ depending on the supply chain.

Other optional marking or inset/upset marks, which identify the parts throughout supply chain operations, are not indicated below.

Figure 88. TFBGA100 top view example

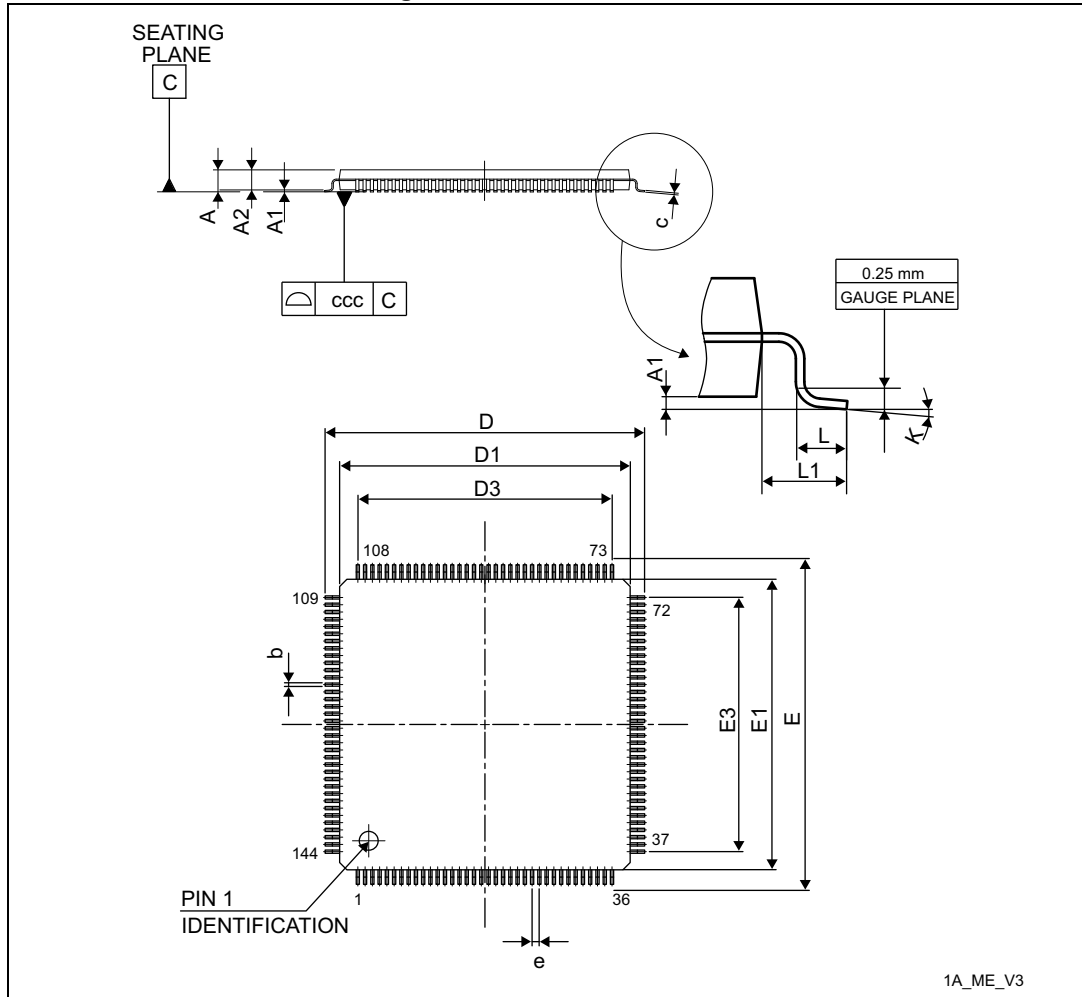


1. Parts marked as ES or E or accompanied by an engineering sample notification letter are not yet qualified and therefore not approved for use in production. ST is not responsible for any consequences resulting from such use. In no event will ST be liable for the customer using any of these engineering samples in production. ST's Quality department must be contacted prior to any decision to use these engineering samples to run a qualification activity.

7.3 LQFP144 package information

LQFP144 is a 144-pin, 20 x 20 mm low-profile quad flat package.

Figure 89. LQFP144 outline



1A_ME_V3

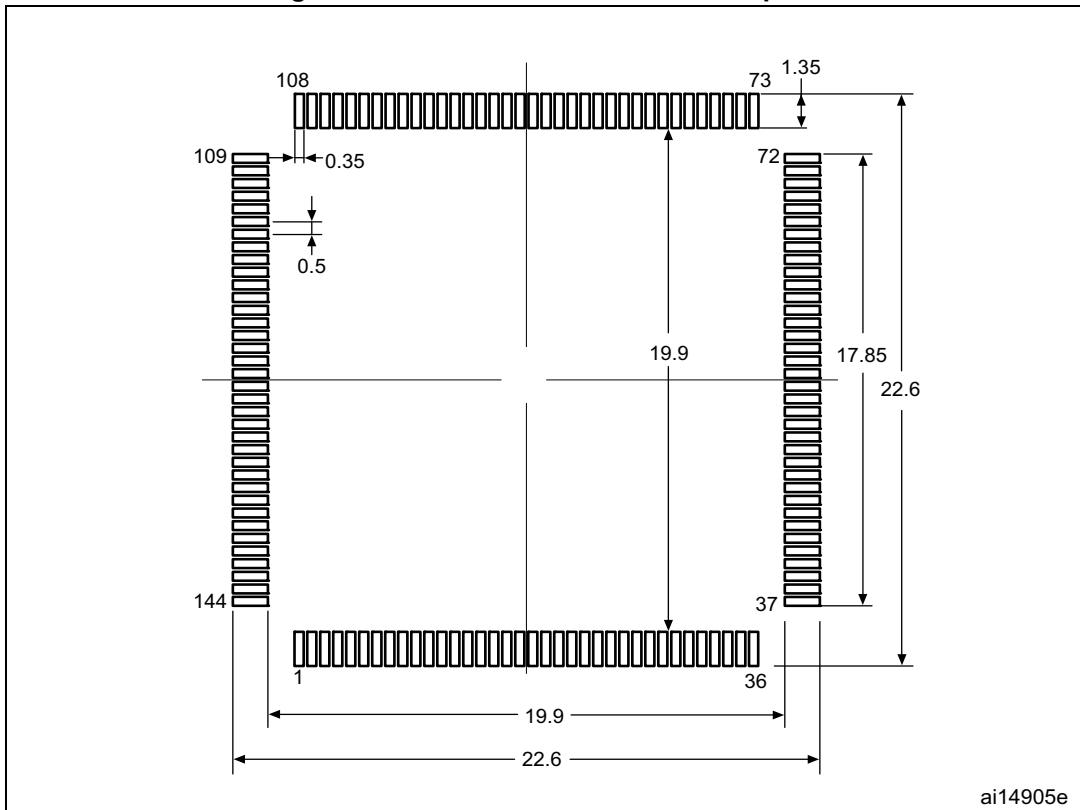
1. Drawing is not to scale.

Table 128. LQFP144 mechanical data

| Symbol | millimeters | | | inches ⁽¹⁾ | | |
|--------|-------------|--------|--------|-----------------------|--------|--------|
| | Min | Typ | Max | Min | Typ | Max |
| A | - | - | 1.600 | - | - | 0.0630 |
| A1 | 0.050 | - | 0.150 | 0.0020 | - | 0.0059 |
| A2 | 1.350 | 1.400 | 1.450 | 0.0531 | 0.0551 | 0.0571 |
| b | 0.170 | 0.220 | 0.270 | 0.0067 | 0.0087 | 0.0106 |
| c | 0.090 | - | 0.200 | 0.0035 | - | 0.0079 |
| D | 21.800 | 22.000 | 22.200 | 0.8583 | 0.8661 | 0.874 |
| D1 | 19.800 | 20.000 | 20.200 | 0.7795 | 0.7874 | 0.7953 |
| D3 | - | 17.500 | - | - | 0.689 | - |
| E | 21.800 | 22.000 | 22.200 | 0.8583 | 0.8661 | 0.8740 |
| E1 | 19.800 | 20.000 | 20.200 | 0.7795 | 0.7874 | 0.7953 |
| E3 | - | 17.500 | - | - | 0.6890 | - |
| e | - | 0.500 | - | - | 0.0197 | - |
| L | 0.450 | 0.600 | 0.750 | 0.0177 | 0.0236 | 0.0295 |
| L1 | - | 1.000 | - | - | 0.0394 | - |
| k | 0° | 3.5° | 7° | 0° | 3.5° | 7° |
| ccc | - | - | 0.080 | - | - | 0.0031 |

1. Values in inches are converted from mm and rounded to 4 decimal digits.

Figure 90. LQFP144 recommended footprint



1. Dimensions are expressed in millimeters.

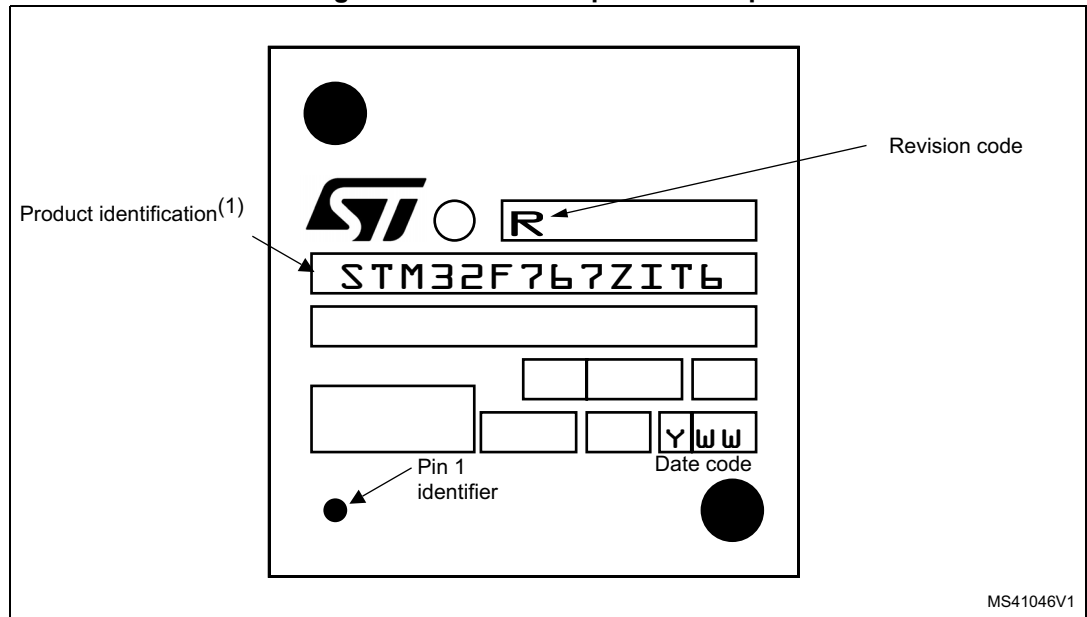
LQFP144 device marking

The following figure gives an example of topside marking orientation versus pin 1 identifier location.

The printed markings may differ depending on the supply chain.

Other optional marking or inset/upset marks, which identify the parts throughout supply chain operations, are not indicated below.

Figure 91. LQFP144 top view example

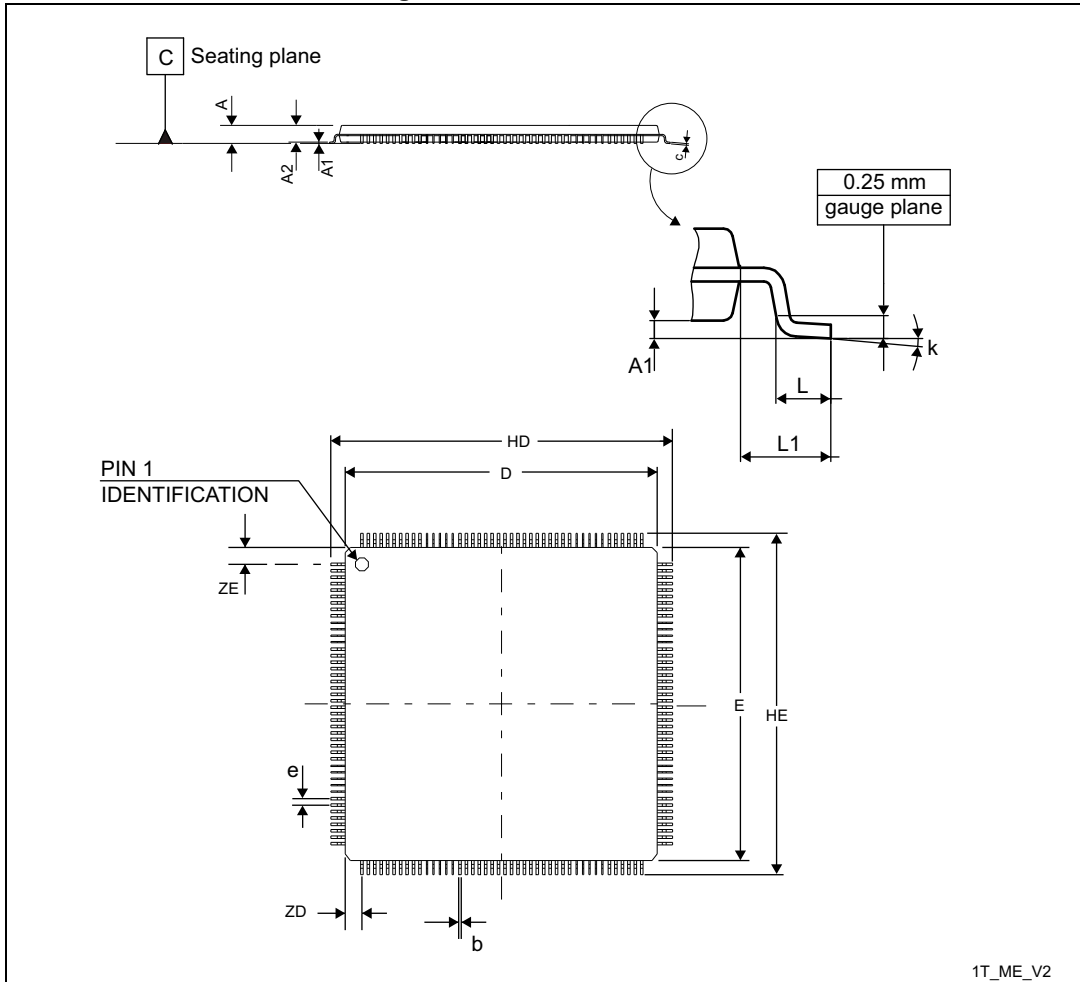


1. Parts marked as ES or E or accompanied by an engineering sample notification letter are not yet qualified and therefore not approved for use in production. ST is not responsible for any consequences resulting from such use. In no event will ST be liable for the customer using any of these engineering samples in production. ST's Quality department must be contacted prior to any decision to use these engineering samples to run a qualification activity.

7.4 LQFP176 package information

LQFP176 is a 176-pin, 24 x 24 mm low-profile quad flat package.

Figure 92. LQFP176 outline



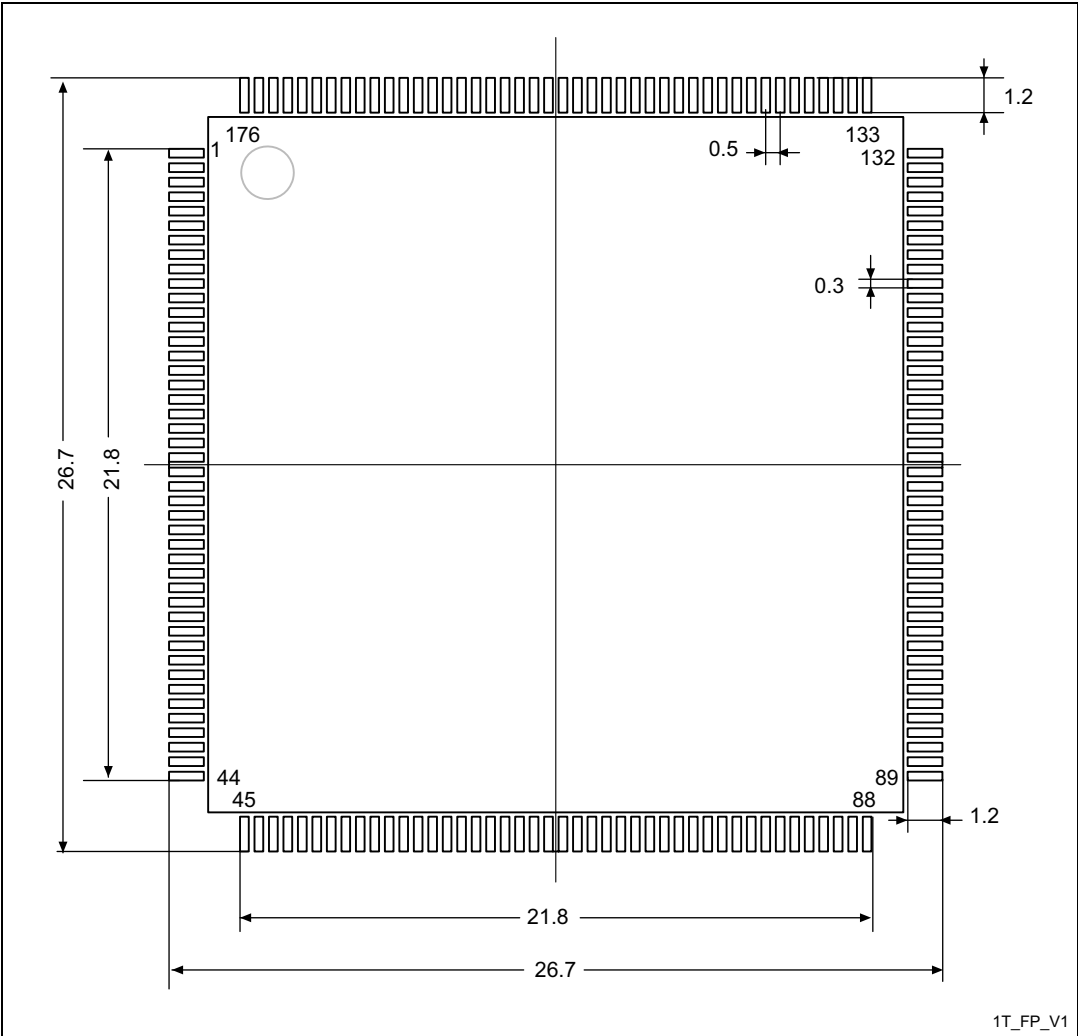
1. Drawing is not to scale.

Table 129. LQFP176 mechanical data

| Symbol | millimeters | | | inches ⁽¹⁾ | | |
|--------|-------------|-------|--------|-----------------------|--------|--------|
| | Min | Typ | Max | Min | Typ | Max |
| A | - | - | 1.600 | - | - | 0.0630 |
| A1 | 0.050 | - | 0.150 | 0.0020 | - | 0.0059 |
| A2 | 1.350 | - | 1.450 | 0.0531 | - | 0.0060 |
| b | 0.170 | - | 0.270 | 0.0067 | - | 0.0106 |
| C | 0.090 | - | 0.200 | 0.0035 | - | 0.0079 |
| D | 23.900 | - | 24.100 | 0.9409 | - | 0.9488 |
| E | 23.900 | - | 24.100 | 0.9409 | - | 0.9488 |
| e | - | 0.500 | - | - | 0.0197 | - |
| HD | 25.900 | - | 26.100 | 1.0200 | - | 1.0276 |
| HE | 25.900 | - | 26.100 | 1.0200 | - | 1.0276 |
| L | 0.450 | - | 0.750 | 0.0177 | - | 0.0295 |
| L1 | - | 1.000 | - | - | 0.0394 | - |
| ZD | - | 1.250 | - | - | 0.0492 | - |
| ZE | - | 1.250 | - | - | 0.0492 | - |
| ccc | - | - | 0.080 | - | - | 0.0031 |
| k | 0° | - | 7° | 0° | - | 7° |

1. Values in inches are converted from mm and rounded to 4 decimal digits.

Figure 93. LQFP176 recommended footprint



1. Dimensions are expressed in millimeters.

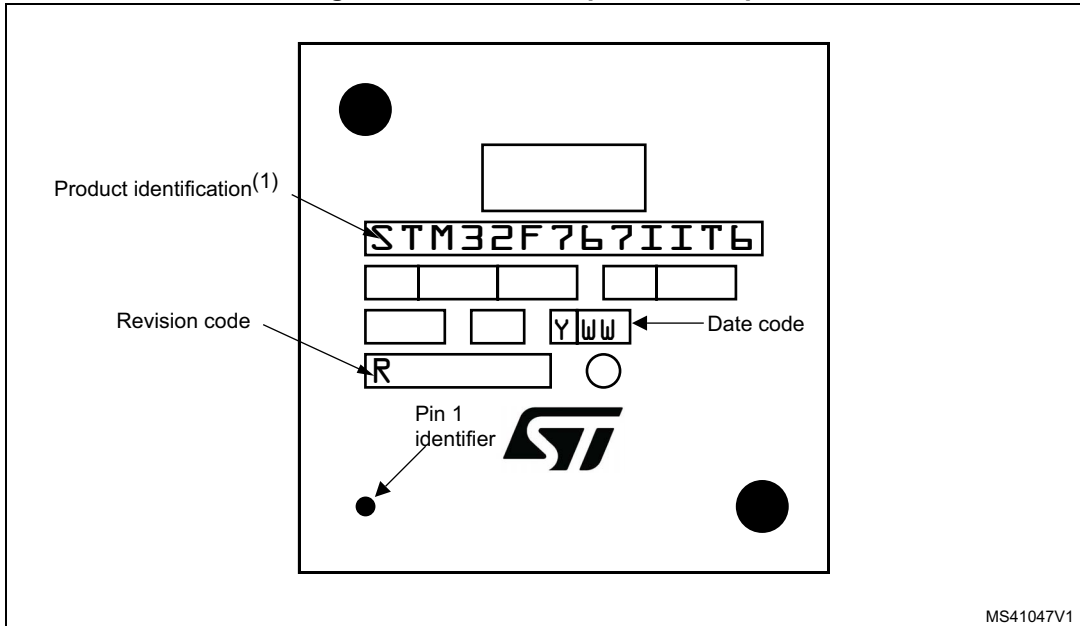
LQFP176 device marking

The following figure gives an example of topside marking orientation versus pin 1 identifier location.

The printed markings may differ depending on the supply chain.

Other optional marking or inset/upset marks, which identify the parts throughout supply chain operations, are not indicated below.

Figure 94. LQFP176 top view example

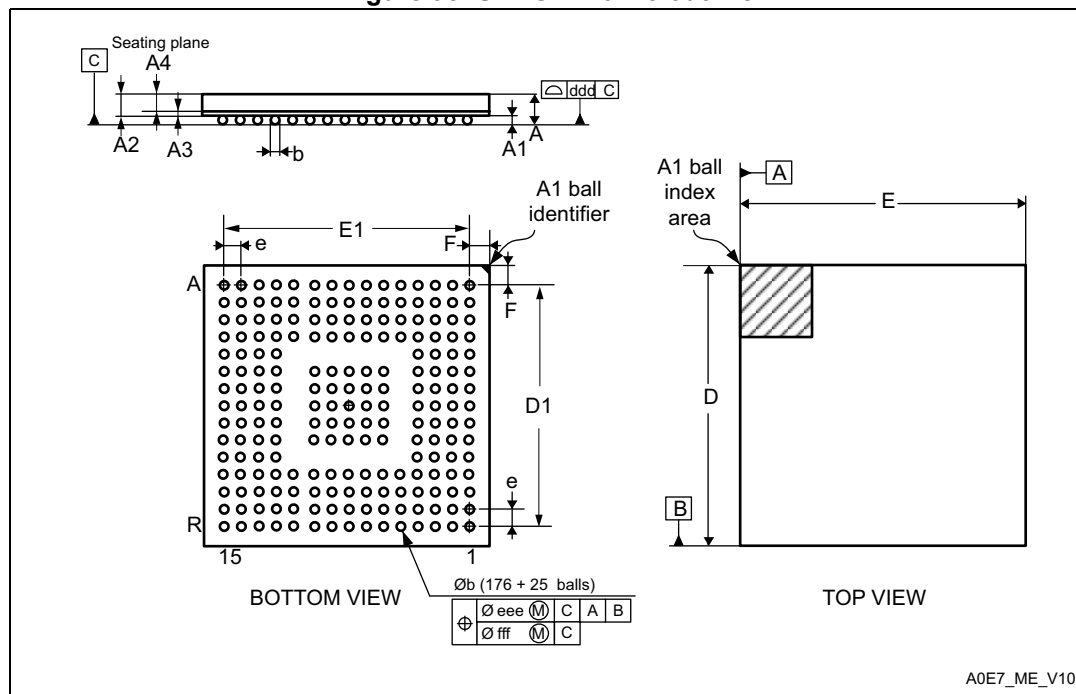


1. Parts marked as ES or E or accompanied by an engineering sample notification letter are not yet qualified and therefore not approved for use in production. ST is not responsible for any consequences resulting from such use. In no event will ST be liable for the customer using any of these engineering samples in production. ST's Quality department must be contacted prior to any decision to use these engineering samples to run a qualification activity.

7.5 UFBGA176+25 package information

UFBGA176+25 is a 176+25-ball, 10 x 10 mm, 0.65 mm ultra profile fine pitch ball grid array package.

Figure 95. UFBGA176+25 outline



1. Drawing is not to scale.

Table 130. UFBGA176+25 mechanical data

| Symbol | millimeters | | | inches ⁽¹⁾ | | |
|--------|-------------|--------|--------|-----------------------|--------|--------|
| | Min | Typ | Max | Min | Typ | Max |
| A | 0.460 | 0.530 | 0.600 | 0.0181 | 0.0209 | 0.0236 |
| A1 | 0.050 | 0.080 | 0.110 | 0.002 | 0.0031 | 0.0043 |
| A2 | 0.400 | 0.450 | 0.500 | 0.0157 | 0.0177 | 0.0197 |
| b | 0.230 | 0.280 | 0.330 | 0.0091 | 0.0110 | 0.0130 |
| D | 9.950 | 10.000 | 10.050 | 0.3917 | 0.3937 | 0.3957 |
| E | 9.950 | 10.000 | 10.050 | 0.3917 | 0.3937 | 0.3957 |
| e | - | 0.650 | - | - | 0.0256 | - |
| F | 0.400 | 0.450 | 0.500 | 0.0157 | 0.0177 | 0.0197 |
| ddd | - | - | 0.080 | - | - | 0.0031 |
| eee | - | - | 0.150 | - | - | 0.0059 |
| fff | - | - | 0.080 | - | - | 0.0031 |

1. Values in inches are converted from mm and rounded to 4 decimal digits.

Figure 96. UFBGA176+25 recommended footprint

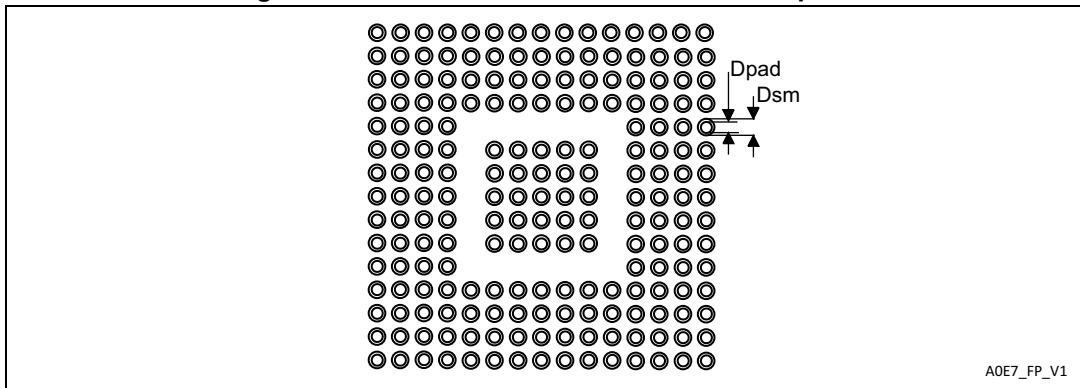


Table 131. UFBGA176+25 recommended PCB design rules (0.65 mm pitch BGA)

| Dimension | Recommended values |
|-------------------|--|
| Pitch | 0.65 mm |
| Dpad | 0.300 mm |
| Dsm | 0.400 mm typ. (depends on the soldermask registration tolerance) |
| Stencil opening | 0.300 mm |
| Stencil thickness | Between 0.100 mm and 0.125 mm |
| Pad trace width | 0.100 mm |

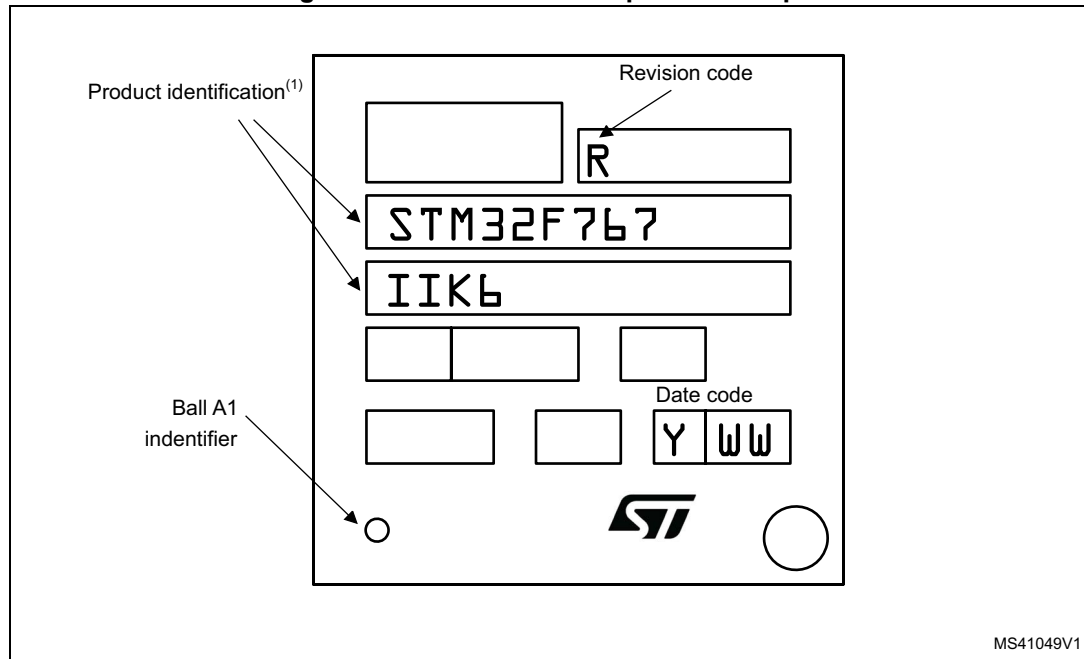
UFBGA176+25 device marking

The following figure gives an example of topside marking orientation versus ball A1 identifier location.

The printed markings may differ depending on the supply chain.

Other optional marking or inset/upset marks, which identify the parts throughout supply chain operations, are not indicated below.

Figure 97. UFBGA176+25 top view example

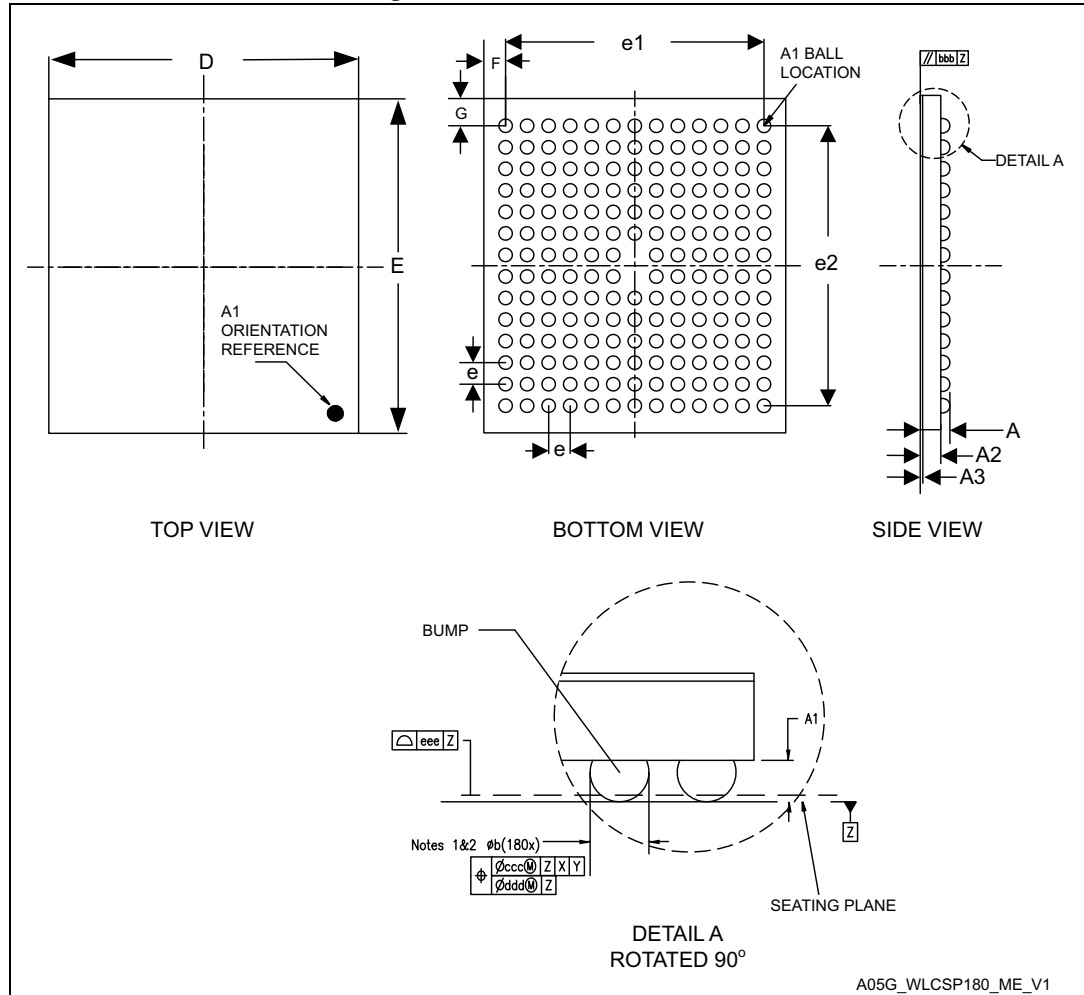


1. Parts marked as ES or E or accompanied by an engineering sample notification letter are not yet qualified and therefore not approved for use in production. ST is not responsible for any consequences resulting from such use. In no event will ST be liable for the customer using any of these engineering samples in production. ST's Quality department must be contacted prior to any decision to use these engineering samples to run a qualification activity.

7.6 WLCSP180 package information

WLCSP180 is a 180-bump, 5.5 x 6 mm wafer level chip scale package.

Figure 98. WLCSP180 outline



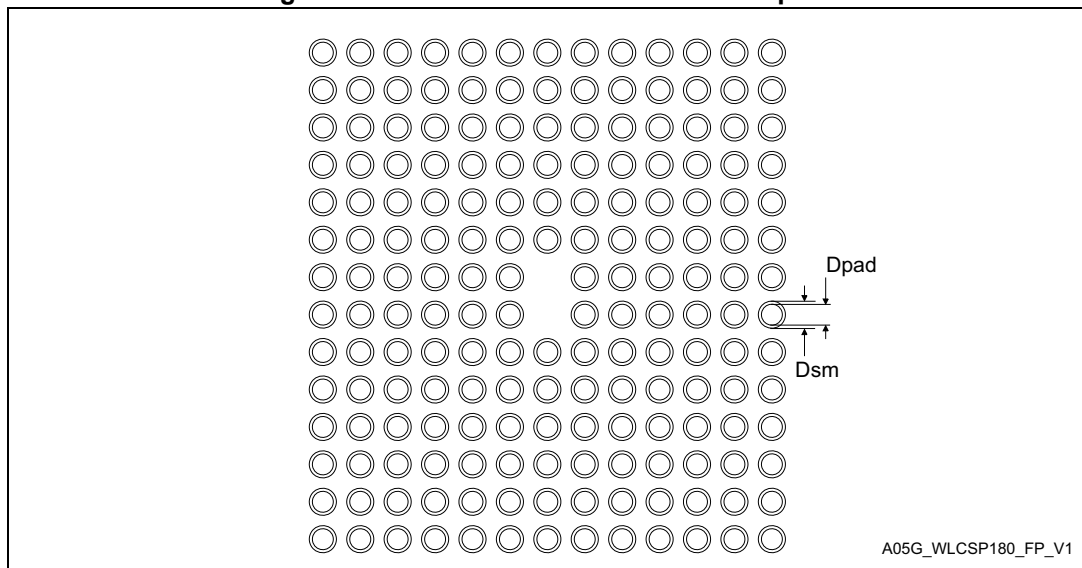
1. Drawing is not to scale.

Table 132. WLCSP180 mechanical data

| Symbol | millimeters | | | inches ⁽¹⁾ | | |
|------------------|-------------|-------|-------|-----------------------|--------|--------|
| | Min | Typ | Max | Min | Typ | Max |
| A | 0.525 | 0.555 | 0.585 | 0.0207 | 0.0219 | 0.230 |
| A1 | - | 0.175 | - | - | 0.0069 | - |
| A2 | - | 0.380 | - | - | 0.0150 | - |
| A3 | - | 0.025 | - | - | 0.0010 | - |
| b ⁽²⁾ | 0.220 | 0.250 | 0.280 | 0.0087 | 0.0098 | 0.0110 |
| D | 5.502 | 5.537 | 5.572 | 0.2166 | 0.2180 | 0.2194 |
| E | 6.060 | 6.095 | 6.130 | 0.2386 | 0.2400 | 0.2413 |
| e | - | 0.400 | - | - | 0.0157 | - |
| e1 | - | 4.800 | - | - | 0.1890 | - |
| e2 | - | 5.200 | - | - | 0.2047 | - |
| F | - | 0.368 | - | - | 0.0145 | - |
| G | - | 0.477 | - | - | 0.0188 | - |
| aaa | - | 0.110 | - | - | 0.0043 | - |
| bbb | - | 0.110 | - | - | 0.0043 | - |
| ccc | - | 0.110 | - | - | 0.0043 | - |
| ddd | - | 0.050 | - | - | 0.0020 | - |
| eee | - | 0.050 | - | - | 0.0020 | - |

1. Values in inches are converted from mm and rounded to 4 decimal digits.
2. Dimension is measured at the maximum bump diameter parallel to primary datum Z.

Figure 99. WLCSP180 recommended footprint



1. Dimensions are expressed in millimeters.

Table 133. WLCSP180 recommended PCB design rules (0.4 mm pitch)

| Dimension | Recommended values |
|-------------------|--|
| Pitch | 0.4 |
| Dpad | 0.225 mm |
| Dsm | 0.290 mm typ. (depends on the soldermask registration tolerance) |
| Stencil opening | 0.250 mm |
| Stencil thickness | 0.1 mm |

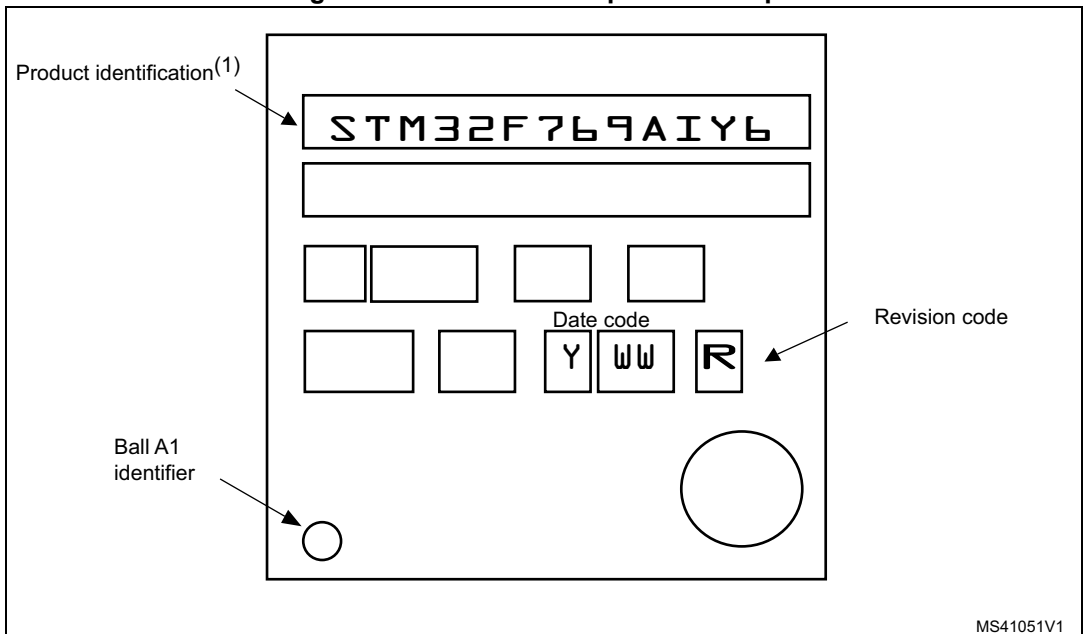
WLCSP180 device marking

The following figure gives an example of topside marking orientation versus ball A1 identifier location.

The printed markings may differ depending on the supply chain.

Other optional marking or inset/upset marks, which identify the parts throughout supply chain operations, are not indicated below.

Figure 100. WLCSP180 top view example

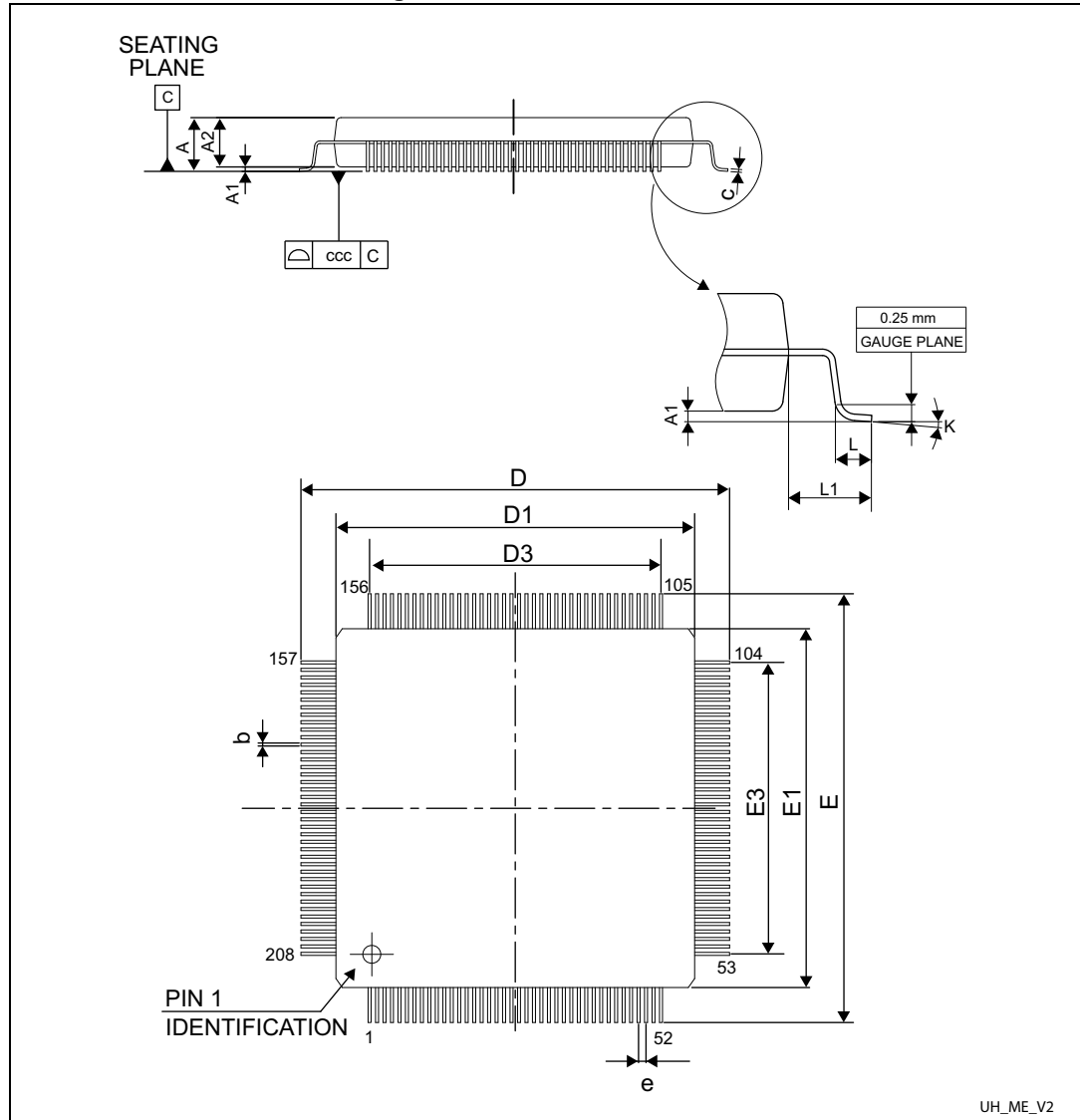


1. Parts marked as ES or E or accompanied by an engineering sample notification letter are not yet qualified and therefore not approved for use in production. ST is not responsible for any consequences resulting from such use. In no event will ST be liable for the customer using any of these engineering samples in production. ST's Quality department must be contacted prior to any decision to use these engineering samples to run a qualification activity.

7.7 LQFP208 package information

LQFP208 is a 208-pin, 28 x 28 mm low-profile quad flat package.

Figure 101. LQFP208 outline



UH_ME_V2

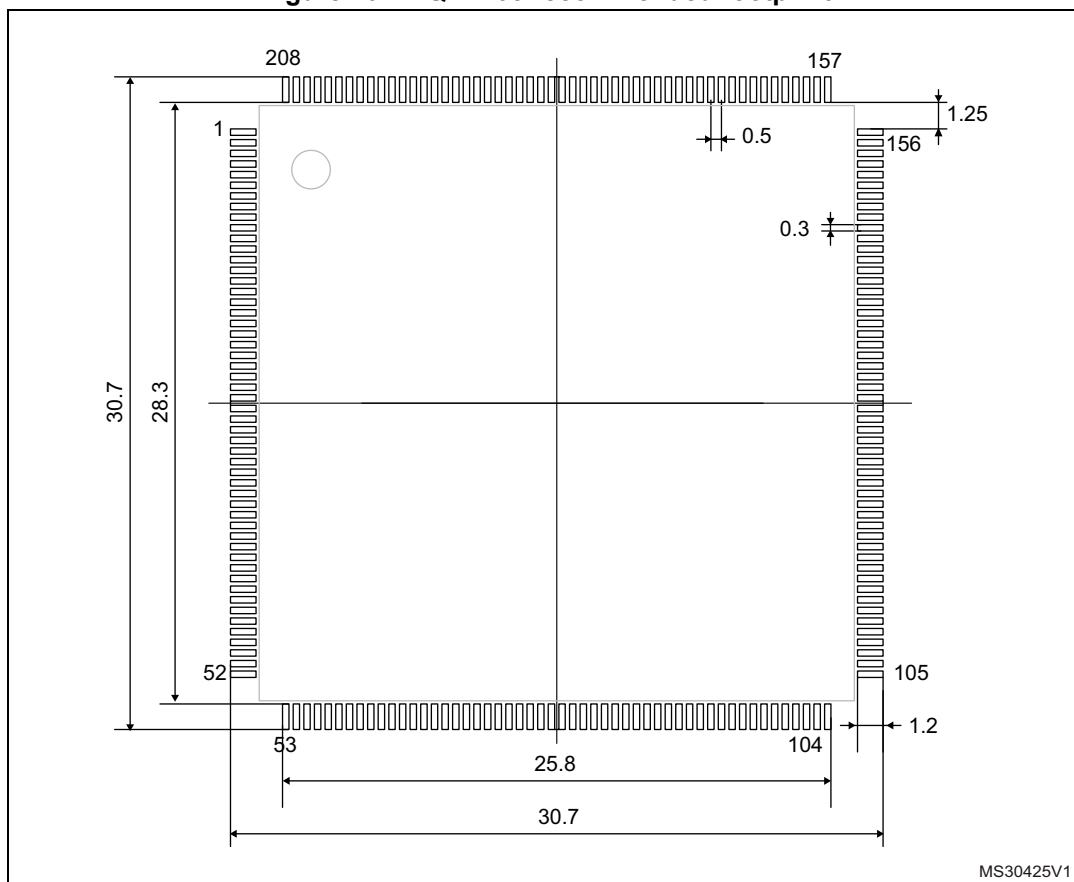
1. Drawing is not to scale.

Table 134. LQFP208 mechanical data

| Symbol | millimeters | | | inches ⁽¹⁾ | | |
|--------|-------------|--------|--------|-----------------------|--------|--------|
| | Min | Typ | Max | Min | Typ | Max |
| A | - | - | 1.600 | -- | - | 0.0630 |
| A1 | 0.050 | - | 0.150 | 0.0020 | - | 0.0059 |
| A2 | 1.350 | 1.400 | 1.450 | 0.0531 | 0.0551 | 0.0571 |
| b | 0.170 | 0.220 | 0.270 | 0.0067 | 0.0087 | 0.0106 |
| c | 0.090 | - | 0.200 | 0.0035 | - | 0.0079 |
| D | 29.800 | 30.000 | 30.200 | 1.1732 | 1.1811 | 1.1890 |
| D1 | 27.800 | 28.000 | 28.200 | 1.0945 | 1.1024 | 1.1102 |
| D3 | - | 25.500 | - | - | 1.0039 | - |
| E | 29.800 | 30.000 | 30.200 | 1.1732 | 1.1811 | 1.1890 |
| E1 | 27.800 | 28.000 | 28.200 | 1.0945 | 1.1024 | 1.1102 |
| E3 | - | 25.500 | - | - | 1.0039 | - |
| e | - | 0.500 | - | - | 0.0197 | - |
| L | 0.450 | 0.600 | 0.750 | 0.0177 | 0.0236 | 0.0295 |
| L1 | - | 1.000 | - | - | 0.0394 | - |
| k | 0° | 3.5° | 7.0° | 0° | 3.5° | 7.0° |
| ccc | - | - | 0.080 | - | - | 0.0031 |

1. Values in inches are converted from mm and rounded to 4 decimal digits.

Figure 102. LQFP208 recommended footprint



1. Dimensions are expressed in millimeters.

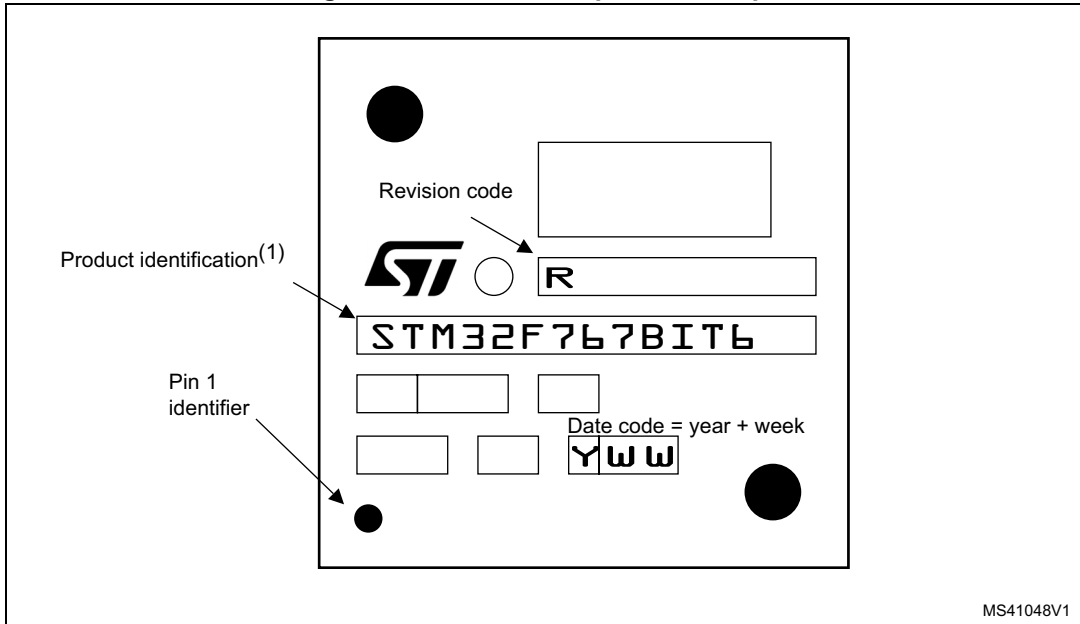
LQFP208 device marking

The following figure gives an example of topside marking orientation versus pin 1 identifier location.

The printed markings may differ depending on the supply chain.

Other optional marking or inset/upset marks, which identify the parts throughout supply chain operations, are not indicated below.

Figure 103. LQFP208 top view example

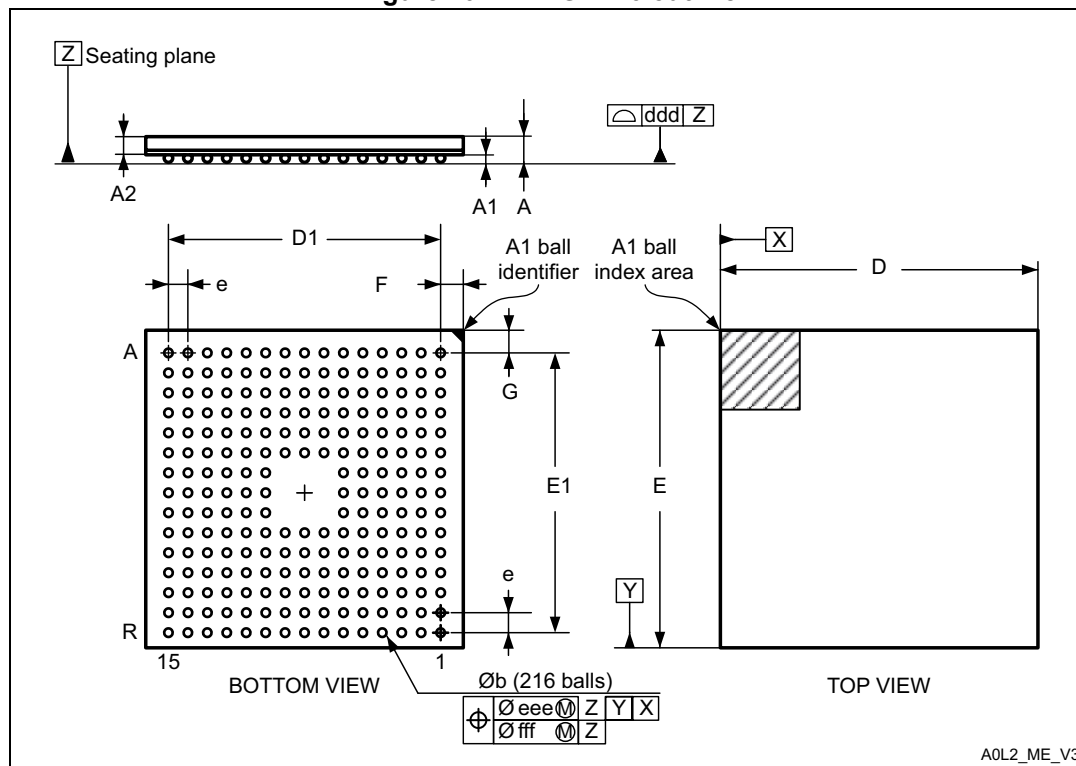


1. Parts marked as ES or E or accompanied by an engineering sample notification letter are not yet qualified and therefore not approved for use in production. ST is not responsible for any consequences resulting from such use. In no event will ST be liable for the customer using any of these engineering samples in production. ST's Quality department must be contacted prior to any decision to use these engineering samples to run a qualification activity.

7.8 TFBGA216 package information

TFBGA216 is a 216-ball, 13 x 13 mm x 0.8 mm ultra profile fine pitch ball grid array package.

Figure 104. TFBGA216 outline



1. Drawing is not to scale.

Table 135. TFBGA216 mechanical data

| Symbol | millimeters | | | inches ⁽¹⁾ | | |
|--------|-------------|--------|--------|-----------------------|--------|--------|
| | Min | Typ | Max | Min | Typ | Max |
| A | - | - | 1.100 | - | - | 0.0433 |
| A1 | 0.150 | - | - | 0.0059 | - | - |
| A2 | - | 0.760 | - | - | 0.0299 | - |
| b | 0.350 | 0.400 | 0.450 | 0.0138 | 0.0157 | 0.0177 |
| D | 12.850 | 13.000 | 13.150 | 0.5118 | 0.5118 | 0.5177 |
| D1 | - | 11.200 | - | - | 0.4409 | - |
| E | 12.850 | 13.000 | 13.150 | 0.5118 | 0.5118 | 0.5177 |
| E1 | - | 11.200 | - | - | 0.4409 | - |
| e | - | 0.800 | - | - | 0.0315 | - |
| F | - | 0.900 | - | - | 0.0354 | - |
| G | - | 0.900 | - | - | 0.0354 | - |

Table 135. TFBGA216 mechanical data (continued)

| Symbol | millimeters | | | inches ⁽¹⁾ | | |
|--------|-------------|-----|-------|-----------------------|-----|--------|
| | Min | Typ | Max | Min | Typ | Max |
| ddd | - | - | 0.100 | - | - | 0.0039 |
| eee | - | - | 0.150 | - | - | 0.0059 |
| fff | - | - | 0.080 | - | - | 0.0031 |

1. Values in inches are converted from mm and rounded to 4 decimal digits.

Figure 105. TFBGA216 recommended footprint

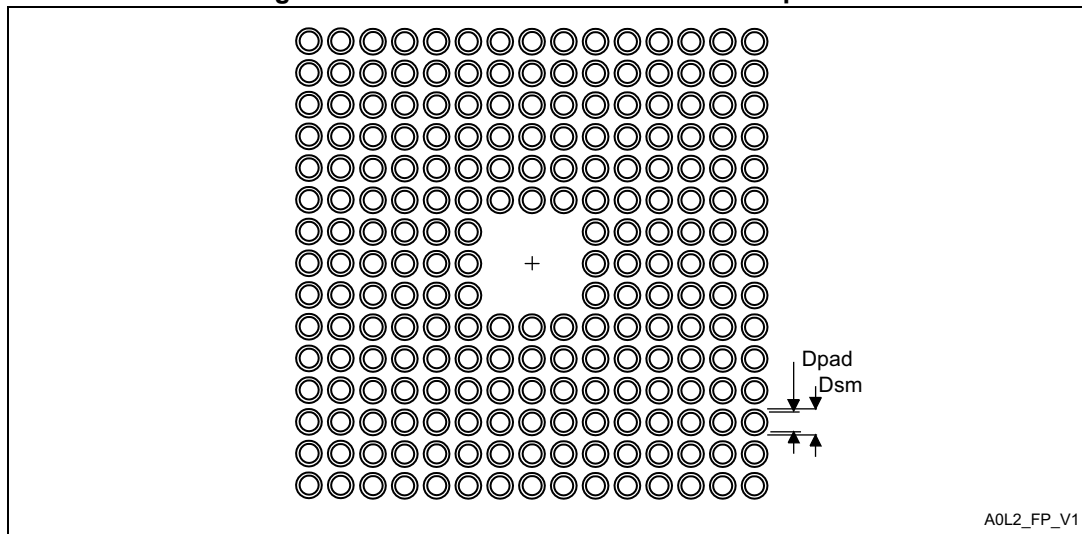


Table 136. TFBGA216 recommended PCB design rules (0.8 mm pitch BGA)

| Dimension | Recommended values |
|-------------------|--|
| Pitch | 0.8 |
| Dpad | 0.400 mm |
| Dsm | 0.470 mm typ. (depends on the soldermask registration tolerance) |
| Stencil opening | 0.400 mm |
| Stencil thickness | Between 0.100 mm and 0.125 mm |
| Pad trace width | 0.120 mm |

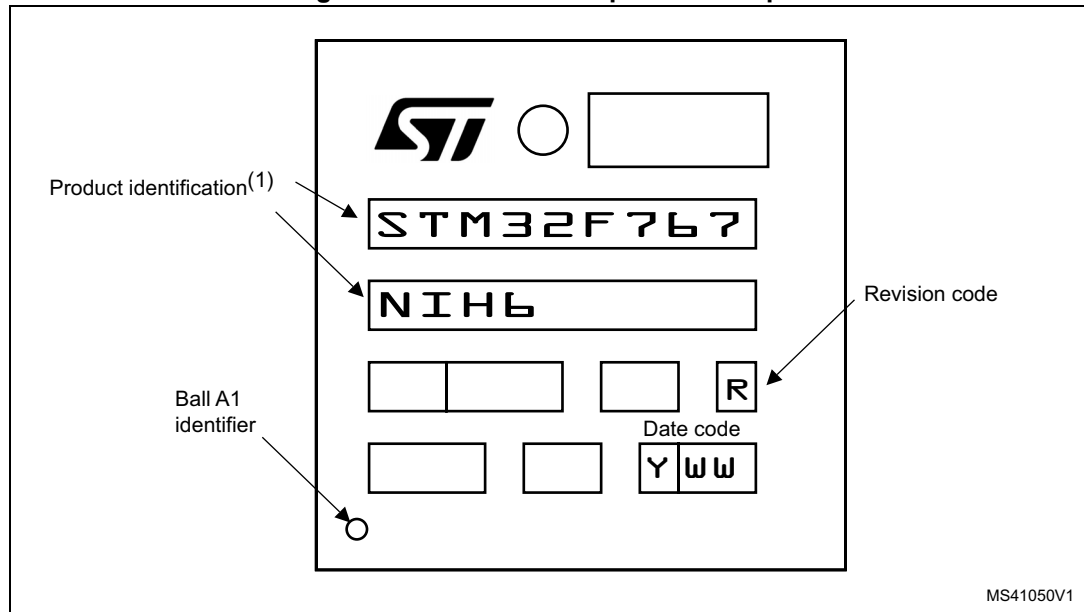
TFBGA216 device marking

The following figure gives an example of topside marking orientation versus ball A1 identifier location.

The printed markings may differ depending on the supply chain.

Other optional marking or inset/upset marks, which identify the parts throughout supply chain operations, are not indicated below.

Figure 106. TFBGA216 top view example



1. Parts marked as ES or E or accompanied by an engineering sample notification letter are not yet qualified and therefore not approved for use in production. ST is not responsible for any consequences resulting from such use. In no event will ST be liable for the customer using any of these engineering samples in production. ST's Quality department must be contacted prior to any decision to use these engineering samples to run a qualification activity.

7.9 Thermal characteristics

The maximum chip-junction temperature, $T_J \text{ max}$, in degrees Celsius, may be calculated using the following equation:

$$T_J \text{ max} = T_A \text{ max} + (P_D \text{ max} \times \Theta_{JA})$$

Where:

- $T_A \text{ max}$ is the maximum ambient temperature in °C,
- Θ_{JA} is the package junction-to-ambient thermal resistance, in °C/W,
- $P_D \text{ max}$ is the sum of $P_{INT \text{ max}}$ and $P_{I/O \text{ max}}$ ($P_D \text{ max} = P_{INT \text{ max}} + P_{I/O \text{ max}}$),
- $P_{INT \text{ max}}$ is the product of I_{DD} and V_{DD} , expressed in Watts. This is the maximum chip internal power.

$P_{I/O \text{ max}}$ represents the maximum power dissipation on output pins where:

$$P_{I/O \text{ max}} = \Sigma (V_{OL} \times I_{OL}) + \Sigma ((V_{DD} - V_{OH}) \times I_{OH}),$$

taking into account the actual V_{OL} / I_{OL} and V_{OH} / I_{OH} of the I/Os at low and high level in the application.

Table 137. Package thermal characteristics

| Symbol | Parameter | Value | Unit |
|---------------|---|-------|------|
| Θ_{JA} | Thermal resistance junction-ambient LQFP100 - 14 × 14 mm / 0.5 mm pitch | 43 | °C/W |
| | Thermal resistance junction-ambient TFBGA100 - 8 × 8 mm / 0.8 mm pitch | 36.2 | |
| | Thermal resistance junction-ambient WLCSP180 - 0.4 mm pitch | 30 | |
| | Thermal resistance junction-ambient LQFP144 - 20 × 20 mm / 0.5 mm pitch | 40 | |
| | Thermal resistance junction-ambient LQFP176 - 24 × 24 mm / 0.5 mm pitch | 38 | |
| | Thermal resistance junction-ambient LQFP208 - 28 × 28 mm / 0.5 mm pitch | 19 | |
| | Thermal resistance junction-ambient UFBGA176 - 10× 10 mm / 0.5 mm pitch | 39 | |
| | Thermal resistance junction-ambient TFBGA216 - 13 × 13 mm / 0.8 mm pitch | 29 | |

Reference document

JESD51-2 Integrated Circuits Thermal Test Method Environment Conditions - Natural Convection (Still Air). Available from www.jedec.org.

8 Ordering information

Table 138. Ordering information scheme

| Example: | STM32 | F | 76x | V | G | T | 6 | xxx |
|--------------------------|--|---------------------|--|--|--|---|---|--|
| Device family | STM32 = Arm-based 32-bit microcontroller | F = general-purpose | 765 = STM32F765xx, USB OTG FS/HS, camera interface, Ethernet 767 = STM32F767xx, USB OTG FS/HS, camera interface, Ethernet, LCD-TFT 768 = STM32F768Ax, USB OTG FS/HS, camera interface, DSI host, WLCSP with internal regulator OFF 769 = STM32F769xx, USB OTG FS/HS, camera interface, Ethernet, DSI host | V = 100 pins Z = 144 pins I = 176 pins A = 180 pins B = 208 pins N = 216 pins | G = 1024 Kbytes of Flash memory I = 2048 Kbytes of Flash memory | T = LQFP K = UFBGA H = TFBGA Y = WLCSP | 6 = Industrial temperature range, -40 to 85 °C. 7 = Industrial temperature range, -40 to 105 °C. | xxx = programmed parts TR = tape and reel |
| Product type | | | | | | | | |
| Device subfamily | | | | | | | | |
| Pin count | | | | | | | | |
| Flash memory size | | | | | | | | |
| Package | | | | | | | | |
| Temperature range | | | | | | | | |
| Options | | | | | | | | |

For a list of available options (speed, package, etc.) or for further information on any aspect of this device, please contact your nearest ST sales office.

Appendix A Recommendations when using internal reset OFF

When the internal reset is OFF, the following integrated features are no longer supported:

- The integrated power-on reset (POR) / power-down reset (PDR) circuitry is disabled
- The brownout reset (BOR) circuitry must be disabled
- The embedded programmable voltage detector (PVD) is disabled
- V_{BAT} functionality is no more available and VBAT pin should be connected to V_{DD}
- The over-drive mode is not supported

A.1 Operating conditions

Table 139. Limitations depending on the operating power supply range

| Operating power supply range | ADC operation | Maximum Flash memory access frequency with no wait states (f _{Flashmax}) | Maximum Flash memory access frequency with wait states ⁽¹⁾⁽²⁾ | I/O operation | Possible Flash memory operations |
|---|--------------------------------|--|--|-----------------------|---|
| V _{DD} = 1.7 to 2.1 V ⁽³⁾ | Conversion time up to 1.2 Msps | 20 MHz | 168 MHz with 8 wait states and over-drive OFF | – No I/O compensation | 8-bit erase and program operations only |

1. Applicable only when the code is executed from Flash memory. When the code is executed from RAM, no wait state is required.
2. Thanks to the ART accelerator on ITCM interface and L1-cache on AXI interface, the number of wait states given here does not impact the execution speed from the Flash memory since the ART accelerator or L1-cache allows to achieve a performance equivalent to 0-wait state program execution.
3. V_{DD}/V_{DDA} minimum value of 1.7 V, with the use of an external power supply supervisor (refer to [Section 3.18.1: Internal reset ON](#)).

Revision history

Table 140. Document revision history

| Date | Revision | Changes |
|-------------|----------|---|
| 21-Mar-2016 | 1 | Initial release. |
| 26-Apr-2016 | 2 | <p>DFSDM replaced by DFSDM1 in:</p> <ul style="list-style-type: none"> – Table 11: STM32F765xx, STM32F767xx, STM32F768Ax and STM32F769xx pin and ball definitions. – Table 13: STM32F765xx, STM32F767xx, STM32F768Ax and STM32F769xx alternate function mapping. – Section 6.3.34: Digital filter for Sigma-Delta Modulators (DFSDM) characteristics. <p>Updated Table 2: STM32F765xx, STM32F767xx, STM32F768Ax and STM32F769xx features and peripheral counts adding DFSDM1 features.</p> <p>Updated Table 39: Peripheral current consumption adding DFSDM1 current consumption.</p> <p>Updated cover in 2 pages.</p> <p>Update cover replacing for SPI 'up to 50 Mbit/s' by 'up to 54 Mbit/s'.</p> |
| 06-May-2016 | 3 | <p>Updated Table 2: STM32F765xx, STM32F767xx, STM32F768Ax and STM32F769xx features and peripheral counts GPIO number.</p> <p>Updated Table 13: STM32F765xx, STM32F767xx, STM32F768Ax and STM32F769xx alternate function mapping adding CAN3_RX alternate function on PA8/AF11.</p> |
| 22-Dec-2016 | 4 | <p>Updated Table 97: Dynamics characteristics: Ethernet MAC signals for RMII.</p> <p>Updated Table 71: ADC characteristics sampling rate.</p> <p>Updated all the notes removing 'not tested in production'.</p> <p>Updated Figure 46: SPI timing diagram - slave mode and CPHA = 0 and Figure 47: SPI timing diagram - slave mode and CPHA = 1⁽¹⁾ with modified NSS timing waveforms (among other changes).</p> <p>Updated Table 121: LTDC characteristics clock output frequency at 65 MHz.</p> <p>Updated Section 6.2: Absolute maximum ratings.</p> <p>Updated Section 7: Package information adding information about other optional marking or inset/upset marks.</p> |

Table 140. Document revision history (continued)

| Date | Revision | Changes |
|-------------|----------|---|
| 09-Aug-2017 | 5 | <p>Updated note 1 below all the package device marking figures. Updated cover title. Updated Section 1: Introduction. Updated Section 3.47: DSI Host (DSIHOST) video mode interface features. Added Table 9: DFSDM implementation. Updated Figure 11: STM32F76xxx LQFP100 pinout pin 43 and pin 44. Updated Table 64: I/O current injection susceptibility note by 'injection is not possible'. Updated Table 121: LTDC characteristics LTDC clock frequency at 83 MHz. Updated Table 71: ADC characteristics R_{ADC} min at 1.5 Kohm. Updated Figure 40: Recommended NRST pin protection note about the 0.1uF capacitor. Updated Table 82: DAC characteristics R_{LOAD} feature.</p> |
| 11-Sep-2017 | 6 | <p>Added TFBGA100 package: – Updated cover page. – Updated Table 2: STM32F765xx, STM32F767xx, STM32F768Ax and STM32F769xx features and peripheral counts. – Updated Table 4: Regulator ON/OFF and internal reset ON/OFF availability. – Added Figure 12: STM32F76xxx TFBGA100 pinout. – Updated Table 11: STM32F765xx, STM32F767xx, STM32F768Ax and STM32F769xx pin and ball definitions. – Updated Table 17: General operating conditions. – Updated Table 62: ESD absolute maximum ratings. – Updated note below Figure 43: Power supply and reference decoupling (V_{REF+} not connected to V_{DDA}). – Updated note below Figure 44: Power supply and reference decoupling (V_{REF+} connected to V_{DDA}). – Added Section 7.2: TFBGA100 package information. – Updated Table 137: Package thermal characteristics.</p> |

Table 140. Document revision history (continued)

| Date | Revision | Changes |
|-------------|----------|---|
| 11-Feb-2021 | 7 | <p>Added Section 1: Introduction.</p> <p>Updated:</p> <ul style="list-style-type: none"> – Figure 3: STM32F765xx, STM32F767xx, STM32F768Ax and STM32F769xx AXI-AHB bus matrix architecture⁽¹⁾ APB2 connection. – Figure 25: STM32F765xx/STM32F767xx/STM32F777xx power supply scheme title. – Section 5: Memory mapping. – Figure 40: Recommended NRST pin protection note 2. – Table 45: HSI oscillator characteristics note 1. – Table 85: SPI dynamic characteristics. – Table 98: Dynamics characteristics: Ethernet MAC signals for MII. – Table 108: Synchronous multiplexed NOR/PSRAM read timings. – Table 110: Synchronous non-multiplexed NOR/PSRAM read timings. – Table 114: SDRAM read timings. – Table 115: LPDDR SDRAM read timings. – Table 118: QUADSPI characteristics in SDR mode. – Table 119: QUADSPI characteristics in DDR mode. – Table 123: Dynamic characteristics: SD / MMC characteristics, VDD=2.7V to 3.6V. – Table 124: Dynamic characteristics: eMMC characteristics, VDD=1.71V to 1.9V. – Section 7: Package information. – Figure 95: UFBGA176+25 outline. |

IMPORTANT NOTICE – PLEASE READ CAREFULLY

STMicroelectronics NV and its subsidiaries (“ST”) reserve the right to make changes, corrections, enhancements, modifications, and improvements to ST products and/or to this document at any time without notice. Purchasers should obtain the latest relevant information on ST products before placing orders. ST products are sold pursuant to ST’s terms and conditions of sale in place at the time of order acknowledgement.

Purchasers are solely responsible for the choice, selection, and use of ST products and ST assumes no liability for application assistance or the design of Purchasers’ products.

No license, express or implied, to any intellectual property right is granted by ST herein.

Resale of ST products with provisions different from the information set forth herein shall void any warranty granted by ST for such product.

ST and the ST logo are trademarks of ST. For additional information about ST trademarks, please refer to www.st.com/trademarks. All other product or service names are the property of their respective owners.

Information in this document supersedes and replaces information previously supplied in any prior versions of this document.

© 2021 STMicroelectronics – All rights reserved