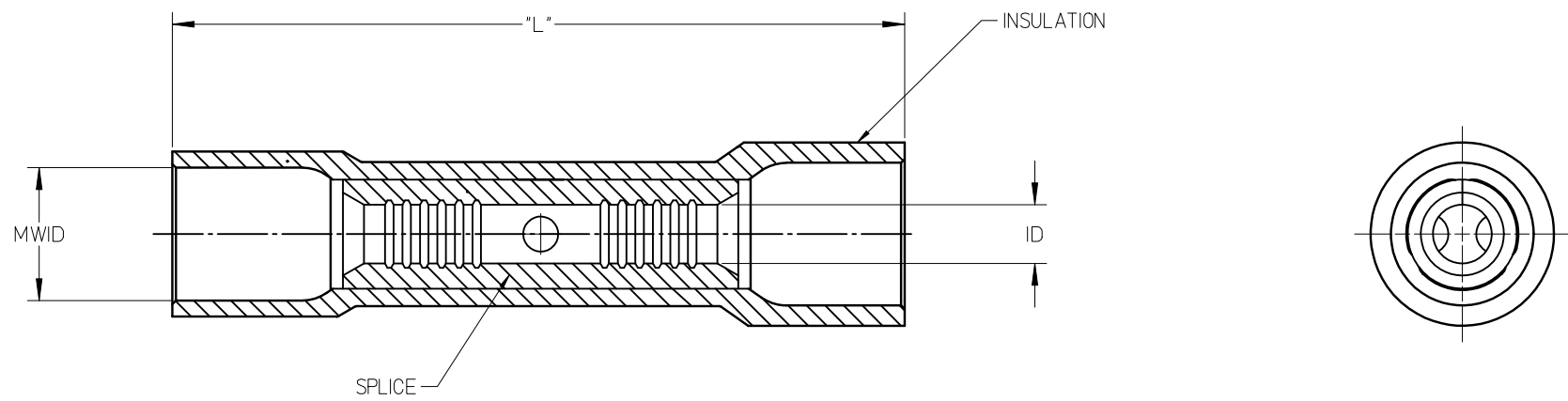


10	9	8	7	6	5	4	3	2	1
MATERIAL NUMBER	ENGINEERING NUMBER	WIRE SIZE AWG	INSULATION COLOR	SPLICE ID MIN	MWID	LENGTH "L" MAX			
192020271	A-945X	22-18	RED	.055/ 1.40	.147/3.74	1.070/27.18			
192020272	B-931X	16-14	BLUE	.078/ 1.98	.185/4.70	1.070/27.18			
192020273	C-946X	12-10	YELLOW	.124/ 3.15	.261/6.63	1.150/29.21			



- NOTES:
1. SPLICE MATERIAL: COPPER
 2. SPLICE FINISH: TIN
 3. INSULATION MATERIAL: NYLON 6/6
 4. MWID = MAXIMUM WIRE INSULATION DIAMETER
 4. ASSEMBLY IS ROHS COMPLIANT.

INITIAL RELEASE EC NO: WNA2011-0271 DRAWN: ETHRODAHL 2011/02/07 CHKD: JMACNEIL 2011/02/08 APPR: JMACNEIL 2011/02/25	DESCRIPTION A	QUALITY SYMBOLS	GENERAL TOLERANCES (UNLESS SPECIFIED)	DIMENSION STYLE IN/MM		SCALE ---	DESIGN UNITS INCH	THIRD ANGLE PROJECTION																																									
		$\nabla=0$ $\nabla 7=0$	<table border="1"> <thead> <tr> <th></th> <th>mm</th> <th>INCH</th> </tr> </thead> <tbody> <tr> <td>4 PLACES</td> <td>±---</td> <td>±---</td> </tr> <tr> <td>3 PLACES</td> <td>±---</td> <td>±.005</td> </tr> <tr> <td>2 PLACES</td> <td>±0.13</td> <td>±.010</td> </tr> <tr> <td>1 PLACE</td> <td>±0.25</td> <td>±.020</td> </tr> </tbody> </table>		mm	INCH	4 PLACES	±---	±---	3 PLACES	±---	±.005	2 PLACES	±0.13	±.010	1 PLACE	±0.25	±.020	<table border="1"> <thead> <tr> <th colspan="2">DRAWN BY</th> <th colspan="2">DATE</th> </tr> </thead> <tbody> <tr> <td>ETHRODAHL</td> <td>2011/02/07</td> <td></td> <td></td> </tr> <tr> <th colspan="2">CHECKED BY</th> <th colspan="2">DATE</th> </tr> <tr> <td>JMACNEIL</td> <td>2011/02/08</td> <td></td> <td></td> </tr> <tr> <th colspan="2">APPROVED BY</th> <th colspan="2">DATE</th> </tr> <tr> <td>JMACNEIL</td> <td>2011/02/25</td> <td></td> <td></td> </tr> </tbody> </table>	DRAWN BY		DATE		ETHRODAHL	2011/02/07			CHECKED BY		DATE		JMACNEIL	2011/02/08			APPROVED BY		DATE		JMACNEIL	2011/02/25			TITLE		MATERIAL NO.		DOCUMENT NO.	SHEET NO.
			mm	INCH																																													
		4 PLACES	±---	±---																																													
3 PLACES	±---	±.005																																															
2 PLACES	±0.13	±.010																																															
1 PLACE	±0.25	±.020																																															
DRAWN BY		DATE																																															
ETHRODAHL	2011/02/07																																																
CHECKED BY		DATE																																															
JMACNEIL	2011/02/08																																																
APPROVED BY		DATE																																															
JMACNEIL	2011/02/25																																																
DRAFT WHERE APPLICABLE MUST REMAIN WITHIN DIMENSIONS			SEE CHART		BUTT CONNECTOR, SEAMED NYLAKRIMP, 22-10 AWG EXPANDED FLARE MOLEX INCORPORATED		SD-19202-010 1 OF 1																																										