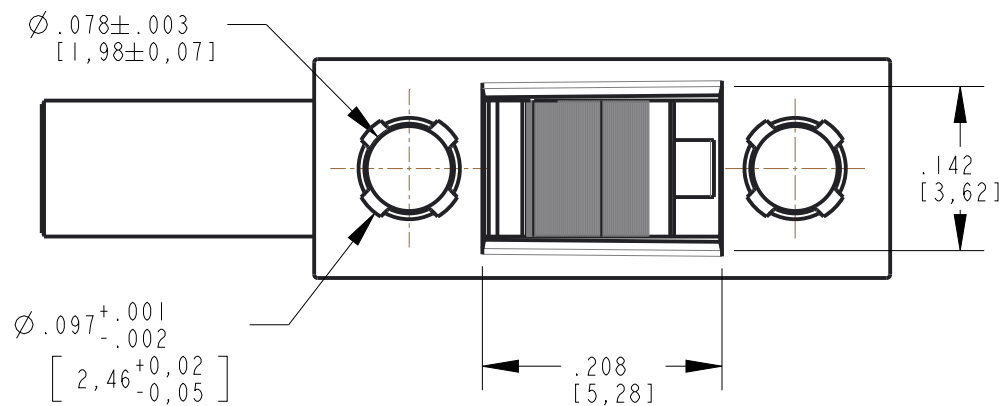
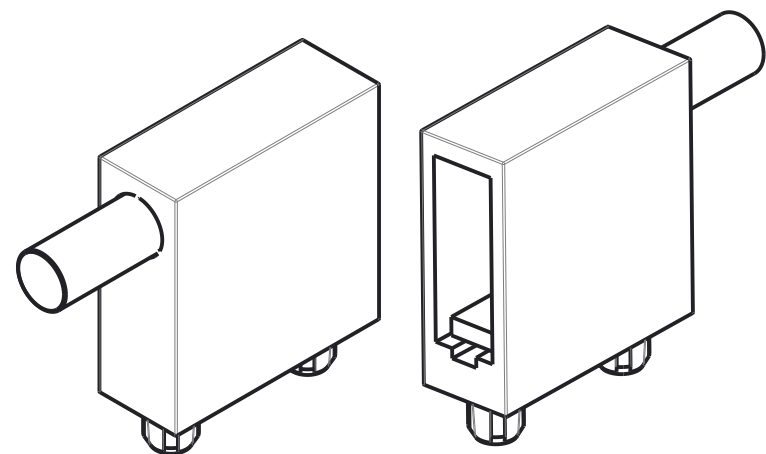
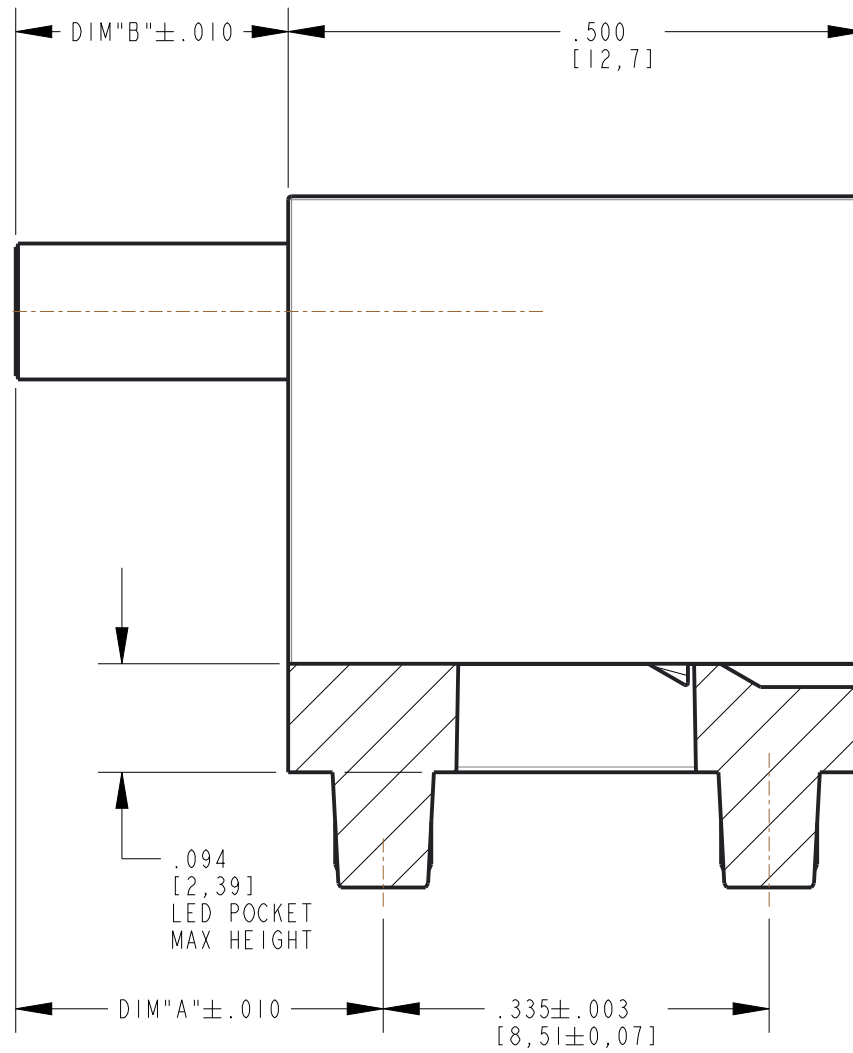
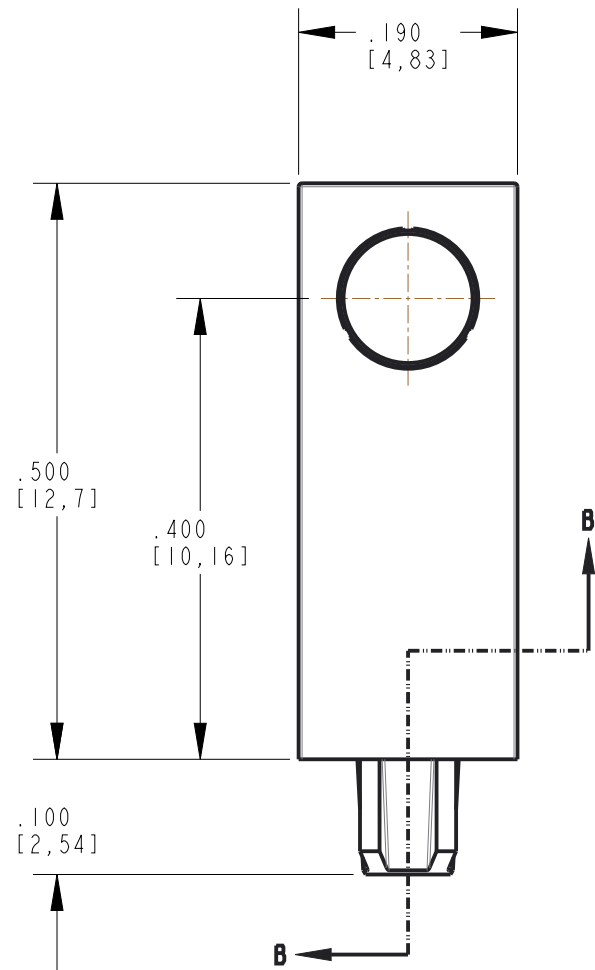


PART NUMBER	DIM "A" in[mm]	DIM "B" in[mm]
515-1254-0319F	.319 [8,1]	.237 [6,01]
515-1254-0590F	.590 [15,00]	.508 [12,90]
515-1254-0839F	.839 [21,31]	.757 [19,23]
515-1254-1181F	1.181 [30,00]	1.099 [27,91]
515-1254-1772F	1.772 [45,00]	1.690 [42,93]

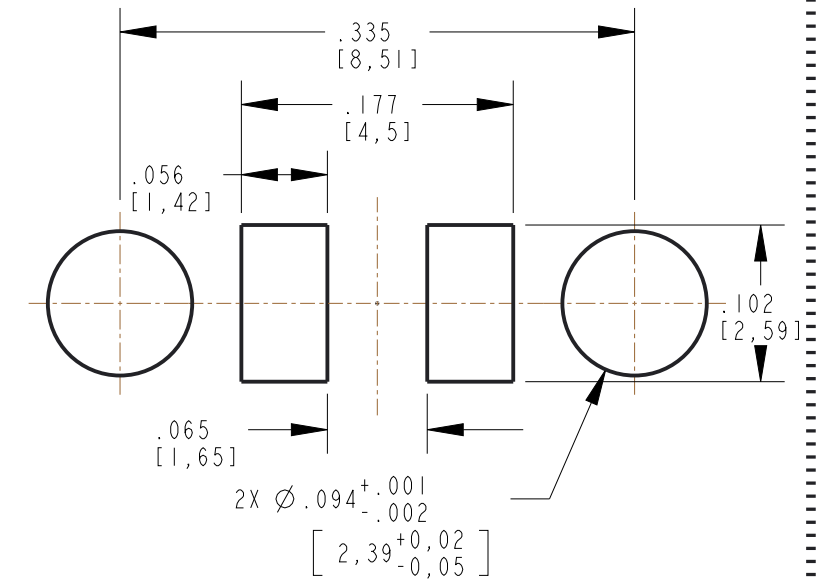
NOTES:

1. THIS PRODUCT IS RoHS COMPLIANT. EACH BAG IS MARKED WITH RoHS COMPLIANT OR EQUIVALENT MARKINGS.
2. SUGGEST PAD LAYOUT FOR SM PLLC 2 AND PLCC-4 LEADS.
3. SUGGESTED LEDS:
 597-3XXX-207F/NF, 598-8BX0-107F,
 BI-COLOR: 597-77XX-207F,007F
 TRI-COLOR: 597-77XX-007F,907F

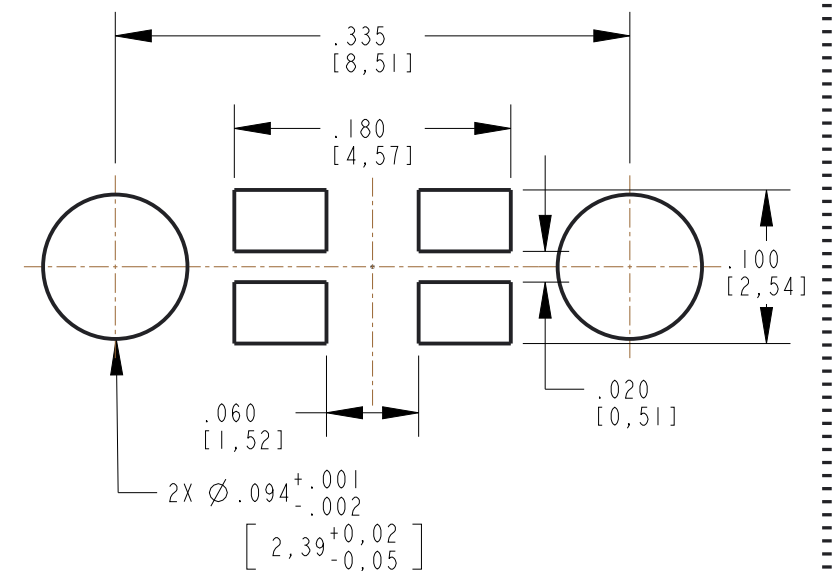


REV	REVISIONS	DRN	CKD	APP	QA	CM	DATE
A	NEW RELEASE	LD					


RECOMMENDED HOLE & PAD LAYOUT: SINGLE COLOR



RECOMMENDED HOLE & PAD LAYOUT: MULTI COLOR



THIS DRAWING AND THE CONTENTS HEREIN ARE CONFIDENTIAL AND THE SOLE PROPERTY OF DIALIGHT CORP. REPRODUCTION OF THIS DRAWING OR CONSTRUCTION OF ANY PARTS WITHIN THIS DRAWING ARE FORBIDDEN WITHOUT THE WRITTEN CONSENT OF DIALIGHT CORP.

DIALIGHT CORP INTERNAL REFERENCE ONLY = 3D MODEL : 5151254XXXXF-A.11		REV
SCALE: 6.000	DRAWING NUMBER	REV
ALL DIM's: INCH (mm)	C-18535	A
TOLERANCES: UNLESS OTHERWISE SPECIFIED	TITLE VARIABLE LP ASSEMBLY .400" HEIGHT	
FRACTIONS: ±1/64	MATERIAL	
DECIMALS (.XX): ±.01	-	
DECIMALS (.XXX): ±.005	-	
DECIMALS (.XXXX): ±.0005	-	
ANGLES: ±1°	-	
FINISH	-	
FSCM 83330	 1501 ROUTE 34 SOUTH FARMINGDALE, NJ 07727 (732) 919-3119 www.dialight.com	
SHEET 1 OF 1	FAMILY TABLE:	