

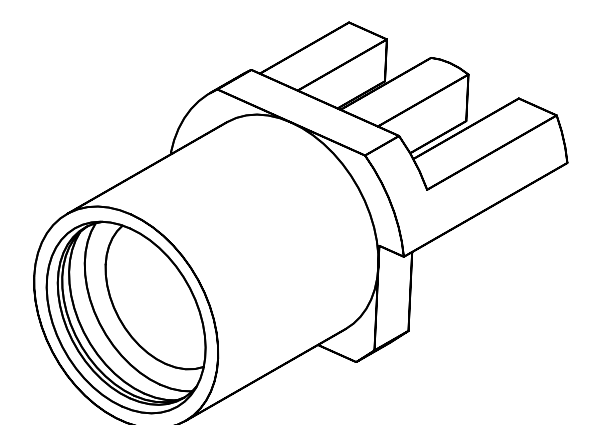
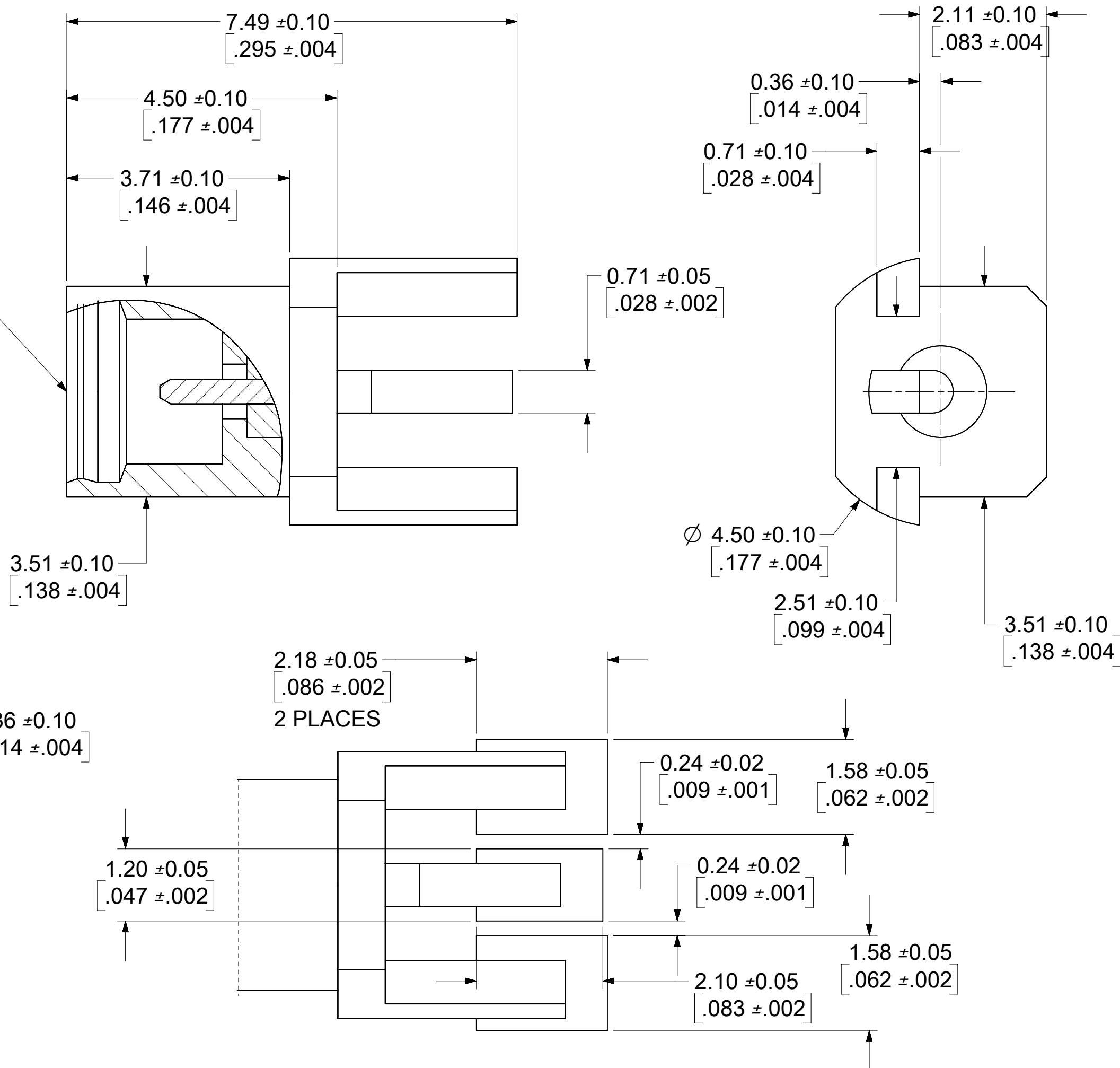
MATERIALS AND FINISHES

BODY, BRASS
PLATED GOLD

CENTER CONTACT, BRASS
PLATED GOLD

INSULATOR, TEFLON

MMCX JACK
REVERSE
POLAR



ALL PARTS COMMERCIAL PLATING
UNLESS OTHERWISE NOTED

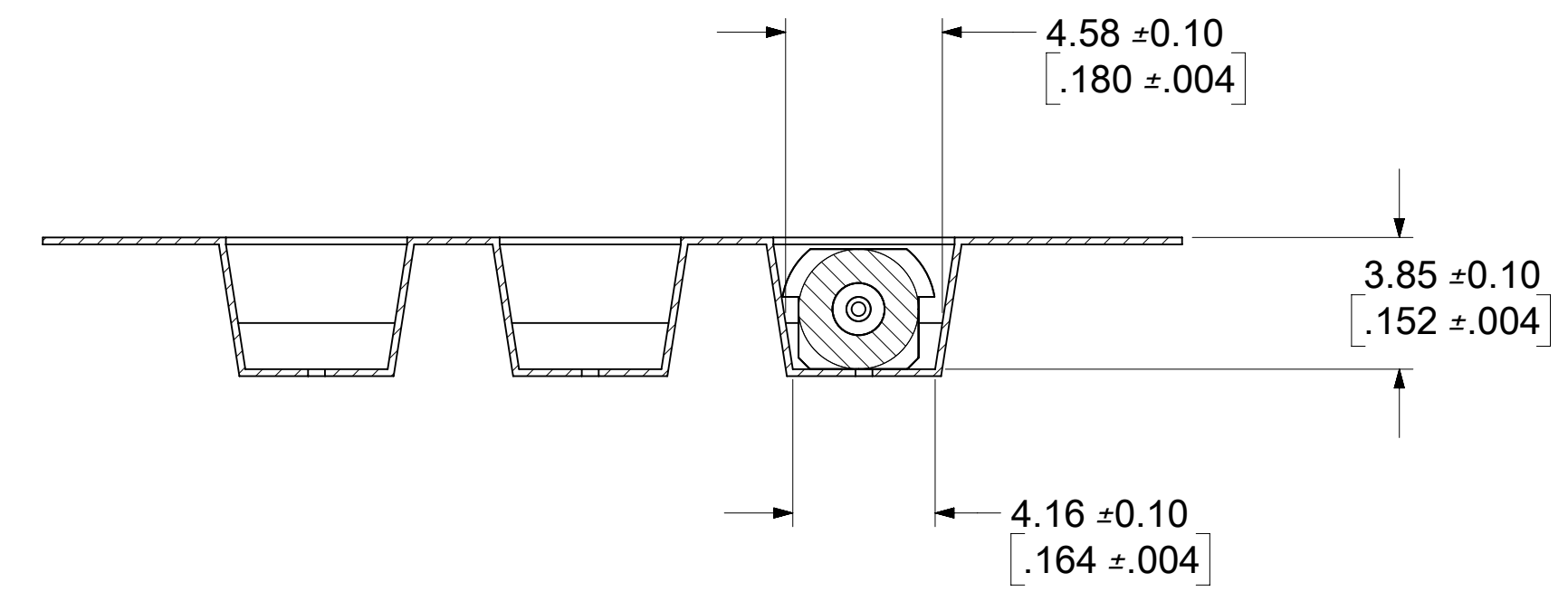
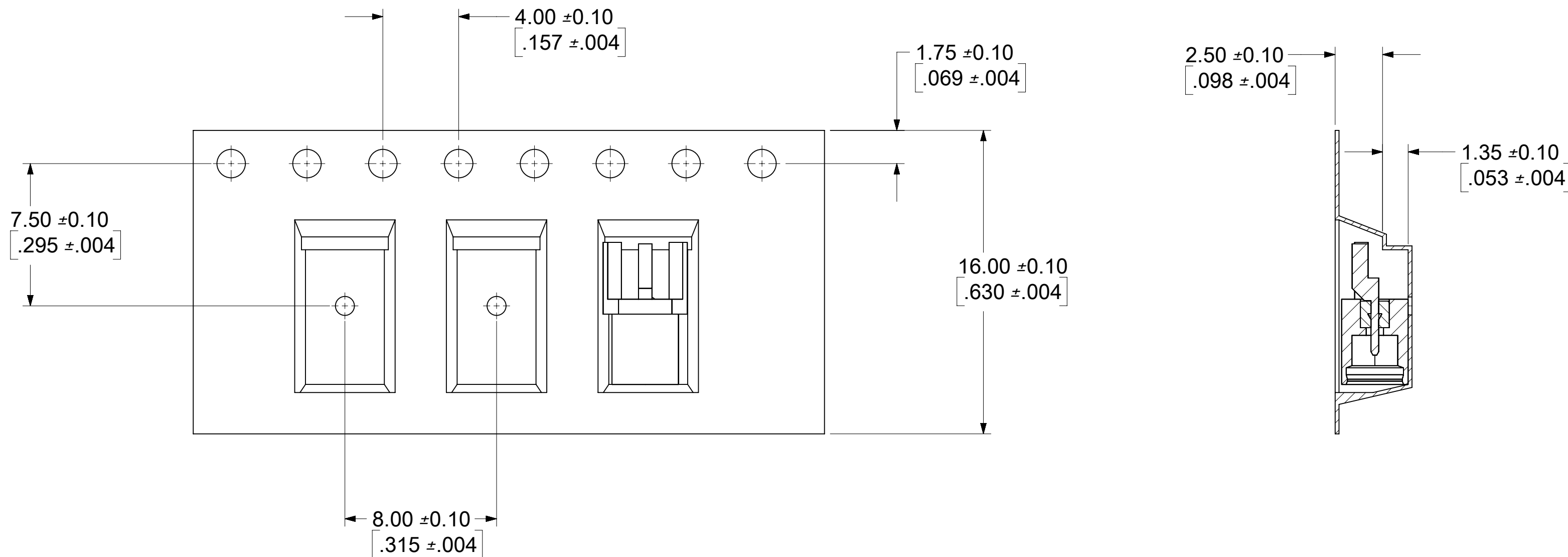
PART NO.	DESCRIPTION	PACKING
73415-1554	LEADS ORIENTED TOWARDS FEED HOLES AND P/N: 52-060004-01N ON OUTER AND INNER PACKAGING.	TAPE & REEL
73415-1553	LEADS ORIENTED TOWARDS FEED HOLES.	TAPE & REEL
73415-1552	MIL PLATING; LEADS OPPOSITE HOLES	TAPE & REEL
73415-1551	COMMERCIAL PLATING	BULK (500 PCS)
73415-1550	MILITARY PLATING	BULK (500 PCS)

D3	2020/05/18	ADD PACKAGE SPEC ON DRAWING PER EWR # 13779-A
REV	DATE	DESCRIPTION

PS-89675-1920	ELECTRO/MECH PERFORMANCE
SPECIFICATION	DESCRIPTION

THIS DRAWING CONTAINS INFORMATION THAT IS PROPRIETARY TO MOLEX ELECTRONIC TECHNOLOGIES, LLC AND SHOULD NOT BE USED WITHOUT WRITTEN PERMISSION									
DIMENSION UNITS	SCALE	CURRENT REV DESC:							
mm	1:1	EC NO: 637775							
GENERAL TOLERANCES (UNLESS SPECIFIED)		DRWN: JSU18			2020/04/30		PRODUCT CUSTOMER DRAWING DOCUMENT NUMBER: SD-73415-155 DOC TYPE: PSD DOC PART: 001 REVISION: D3		
ANGULAR TOL ± 2.0°		4 PLACES ±			2020/05/19				
4 PLACES ±		DRWN: JSU18			2020/04/30		MATERIAL NUMBER: GENERAL MARKET CUSTOMER: GENERAL MARKET SHEET NUMBER: 1 OF 2		
3 PLACES ±		CHK'D: YCHENG			2020/05/19				
2 PLACES ± 0.05		APPR: YCHENG			2020/05/19		INITIAL REVISION: DRWN: JTSAO 2005/03/10 APPR: MISEN 2000/03/06		
1 PLACE ± 0.1		0 PLACES ±							
DRAFT WHERE APPLICABLE MUST REMAIN WITHIN DIMENSIONS		THIRD ANGLE PROJECTION		DRAWING	SERIES				
				C-SIZE	73415				

DOCUMENT STATUS	P1	RELEASE DATE	2020/05/19	16:25:12
-----------------	----	--------------	------------	----------



NOTES:

1. DIMENSTIONS ARE PROVIDED FOR REFERENCE

2. PACKAGING WITH TAPE AND REEL
 PART NO.:73415-1552/73415-1553/73415-1554

THIS DRAWING CONTAINS INFORMATION THAT IS PROPRIETARY TO MOLEX ELECTRONIC TECHNOLOGIES, LLC AND SHOULD NOT BE USED WITHOUT WRITTEN PERMISSION

DIMENSION UNITS		SCALE		CURRENT REV DESC:				molex				
mm		1:1										
GENERAL TOLERANCES (UNLESS SPECIFIED)				EC NO: 637775				MMCX JACK REVERSE POLAR 50 OHM MMCX-J/PCB				
ANGULAR TOL ± 2.0°				DRWN: JSU18 2020/04/30								
4 PLACES ±				CHK'D: YCHENG 2020/05/19				PRODUCT CUSTOMER DRAWING				
3 PLACES ±				APPR: YCHENG 2020/05/19								
2 PLACES ± 0.05				INITIAL REVISION:				DOCUMENT NUMBER		DOC TYPE	DOC PART	REVISION
1 PLACE ± 0.1				DRWN: JTSAO 2005/03/10				SD-73415-155		PSD	001	D3
0 PLACES ±				APPR: MISEN 2000/03/06				MATERIAL NUMBER		CUSTOMER		SHEET NUMBER
DRAFT WHERE APPLICABLE MUST REMAIN WITHIN DIMENSIONS				THIRD ANGLE PROJECTION		DRAWING	SERIES	GENERAL MARKET		2 OF 2		