

NOTES:

1. MATERIALS AND FINISHES:

BODY - BRASS, GOLD PLATING  
 CONTACT - BERYLLIUM COPPER, GOLD PLATING  
 INSULATOR - PTFE, NATURAL  
 FERRULE - COPPER ALLOY, NICKEL PLATING

2. ELECTRICAL:

A. IMPEDANCE: 50 OHM  
 B. FREQUENCY RANGE: DC-20 GHz  
 C. VSWR (RETURN LOSS): 1.20 MAX. (-20.83 dB MIN.) @ DC - 12.4GHz  
 1.28 MAX. (-18.22 dB MIN.) @ 12.4 - 20GHz  
 D. DIELECTRIC WITHSTANDING VOLTAGE: 1000 VRMS, MIN.

3. MECHANICAL:

A. DURABILITY: 500 CYCLES MIN.  
 B. TEMPERATURE RANGE: -65°C TO +165°C

4. PACKAGING:

A. QUANTITY: SINGLE PACK  
 B. MARKING: PACKAGING TO BE MARKED  
 "AMPHENOL RF, 901-10849, AND DATE CODE"

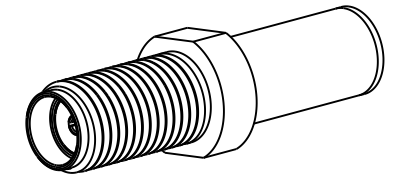
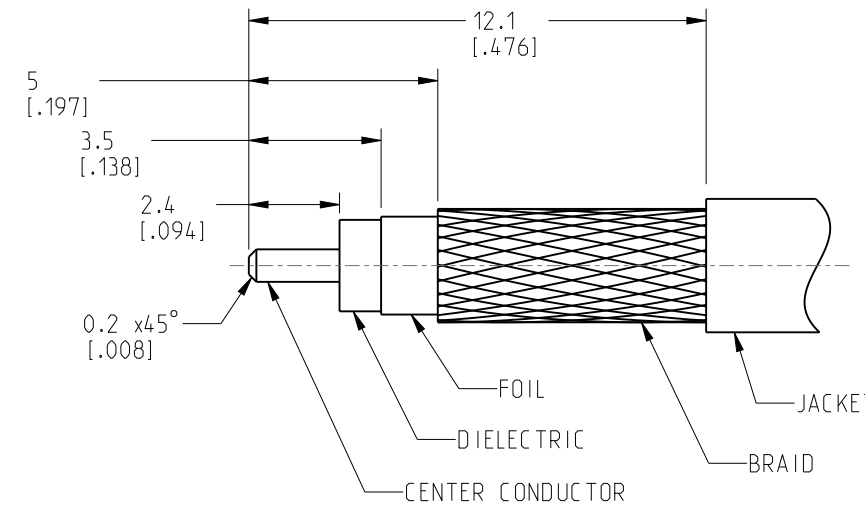
5. CABLE ASSEMBLY INSTRUCTIONS:

- A. TRIM CABLE AS SHOWN
- B. SLIDE FERRULE ONTO CABLE
- C. SOLDER CABLE CENTER CONDUCTOR TO CONTACT
- D. INSERT CABLE UNTIL IT BOTTOMS, WITH FOIL ENTERING CONNECTOR
- E. CRIMP FERRULE OVER BRAID WITH .213" HEX DIE

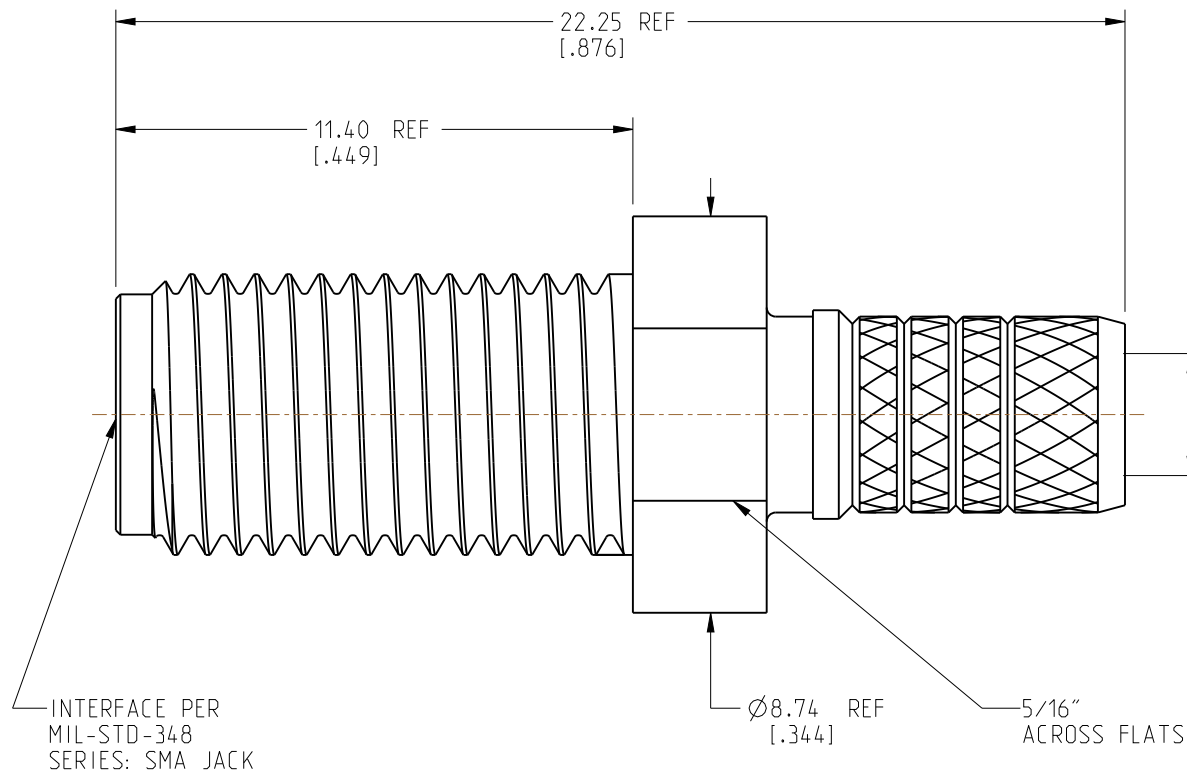
6 SHOWS CABLE ENTRY DIMENSIONS

REVISIONS				
REV	DESCRIPTION	DATE	ECN	BY
A	RELEASE TO MFG.	23-Aug-22	16366	SH

**RECOMMENDED CABLE STRIPPING DIMENSIONS**



SCALE 2.000



6  
 Ø2.69  
 [.106]

6  
 Ø1  
 [.039]

6  
 Ø4.98  
 [.196]

CONTACT

FERRULE

**CUSTOMER OUTLINE DRAWING**

ALL OTHER SHEETS ARE FOR INTERNAL USE ONLY

<p>NOTICE: These drawings, specifications, or other data (1) are, and remain the property of Amphenol corp. (2) must be returned upon request; and (3) are confidential and not to be disclosed to any person other than those to whom they are given by Amphenol Corp. The furnishing of these drawings, specifications, or other data by Amphenol Corp., or to any other person to anyone for any purpose is not to be regarded by implication or otherwise in any manner licensing, granting rights to permitting such holder or any other person to manufacture, use or sell any product, process or design, patented or otherwise, that may in any way be related to or disclosed by said drawings, specifications, or other data.</p>			<p>UNLESS OTHERWISE SPECIFIED DIMENSIONS ARE METRIC (INCHES) AND TOLERANCES ARE:                  &lt;0.5mm = ±0.05mm [-0.020 = ±0.002]                  0.5 - 6mm = ±0.1mm [-0.020 - 0.236 = ±0.004]                  &gt;6.00 - 30mm = ±0.2mm [-0.236 - 1.181 = ±0.008]                  &gt;30.00 - 120mm = ±0.3mm [-1.181 - 4.725 = ±0.012]</p>			<p>MATERIAL                  SEE NOTES</p>			<p>TITLE                  SMA STR JACK FOR RTK044 CABLE</p>			<p>Amphenol RF</p>																													
<p>THIRD ANGLE PROJ. </p>			<p>REFERENCE                  901-10735</p>			<p>ENG.#                  11040</p>			<p>ANGLES = ±1°</p>			<p>ENGR.1                  C.CROTTY</p>			<p>ENGR.2                  ERVING</p>			<p>DATE                  14-MAR-22</p>			<p>SHEET NO. 2 OF 2</p>			<p>SCALE: 6.0:1.0</p>			<p>SIZE                  B</p>			<p>DRAWING NO. 901-10849</p>			<p>ITEM NO. 901-10849</p>			<p>PART NO. 901-10849</p>			<p>REV                  A</p>		