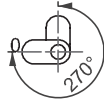


LEAF HINGE | VERSION 3, 4



Hinge Rotation Angle



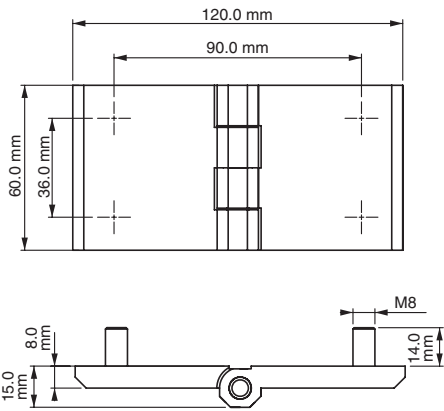
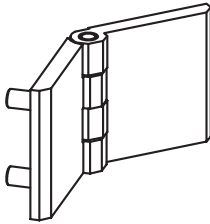
Specifications

- **Material:**
 Body: Zinc Alloy (Zamak) DIN-EN 1774-ZnAl4Cu1
 Pin: Stainless Steel
- Available in three sizes, hole or stud installation:
 - 60 mm x 60 mm
 - 60 mm x 90 mm
 - 60 mm x 120 mm

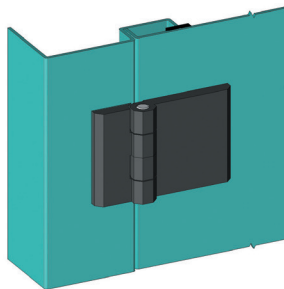
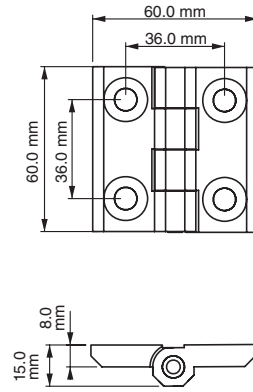
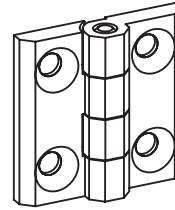
Features

- Generally used for plain / flush-mounted, isolated heavy doors
- Stud versions fitted with M8 x 14 mm threaded stud
- Stainless steel (AISI 304) hinge pin
- Applications: Generators, machinery covers, electric panels

Version 3



Version 4



Item Number	Hinge Rotation	Material	Finish	Version
399-1-1-3	270°	Zinc Alloy	Chrome	3
399-1-1-4	270°	Zinc Alloy	Chrome	4
399-1-2-3	270°	Zinc Alloy	Black	3
399-1-2-4	270°	Zinc Alloy	Black	4