



Application/customer benefits

- High precise inductive linear position measuring system
- Ready for Industry 4.0

Technical features

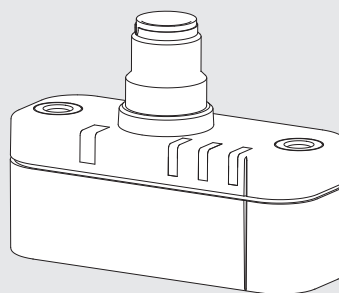
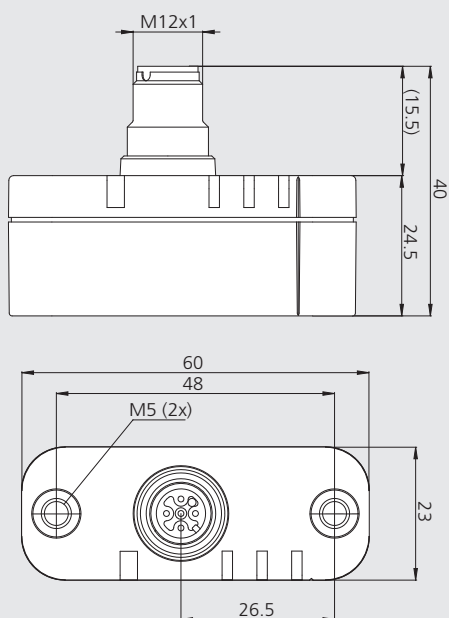
- Inductive measuring system
- No interference from magnetic fields
- Measuring range = 48 mm
- Compact design / simple installation
- Analog output 0 - 10V (Id. No. 208108) / 4 - 20mA (Id. No. 208107)
- IO-Link standard interface
- Protection class IP 67
- LEDs for operating status

Standard equipment

LPS 4.0 48 IO without cable

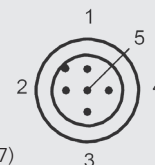
Ordering example

LPS 4.0 48 IO 0 - 10V
Id. No. 208108
Cable with elbow plug 5 m
Id. No. 208247



Pin Assignment Plug M12 x 1

Pin	Description
1	24V DC
2	not used
3	GND
4	C/Q (IO-Link)
5	Signal output 0 - 10V (Id. No. 208108) Signal output 4 - 20mA (Id. No. 208107)



Technical data

SMW-AUTOBLOK Type	LPS 4.0 48 IO 0 - 10V	LPS 4.0 48 IO 4 - 20mA
Id. No.	208108	208107
Measuring range	48 mm	48 mm
Output signal	0 - 10V	4 - 20mA
Power supply	24V DC	24V DC
Repeat accuracy	± 0.1 mm	± 0.1 mm
Linearity	± 0.2 mm	± 0.2 mm
Temperature drift	0.25 mm	0.25 mm
Operating temperature	10 - 60°	10 - 60°
Protection class	IP 67	IP 67
Interface	IO-Link 1.1	IO-Link 1.1
MTTF _a	365 a	365 a
Mission time (T _M)	20 a	20 a
Diagnostic Coverage (DC)	0%	0%

Cables for LPS 4.0 48 IO*	Length	Id. No.
Sensor connection cable straight plug M12 x 1 5-pin	5 m	208244
	10 m	208245
	15 m	208246
Sensor connection cable elbow plug M12 x 1 5-pin	5 m	208247
	10 m	208248
	15 m	208249



* Shielded PUR cable, 1 side cable end, 1 side with socket M12 x 1, machined and gold-plated contacts.