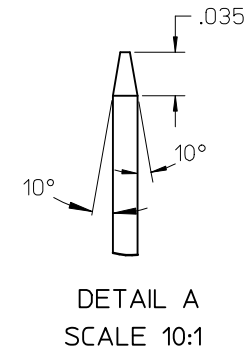
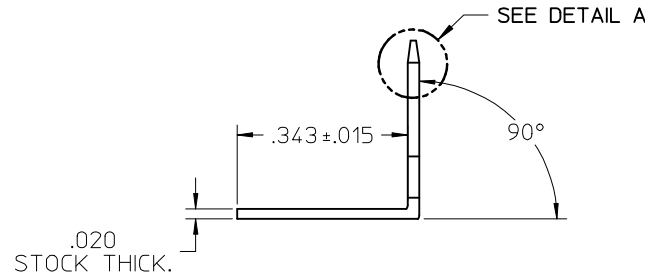
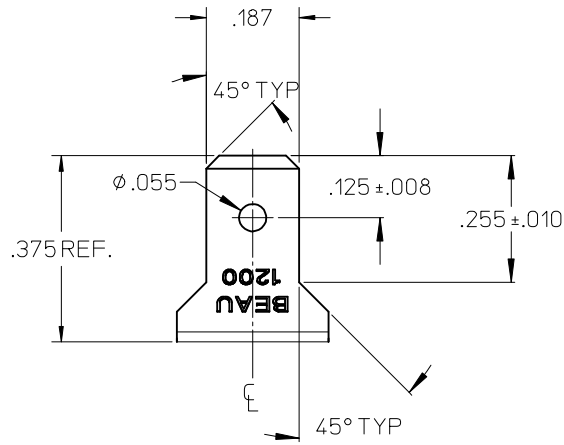
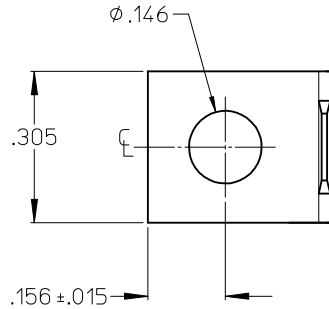


MATERIAL NO.	ENGINEERING NO.	DESCRIPTION	MATERIAL	FINISH
380020039	1215	TERMINAL, FAST-TAB VR	BRASS	TIN OVER COPPER PLATED



NOTES:
1. PART IS ROHS COMPLIANT.

INITIAL RELEASE EC NO: WNA2010-0069 DRAWN: JENCINAS 2009/08/21 CHKD: CYORK 2009/09/14 APPR: JMACNEIL 2009/09/14	QUALITY SYMBOLS ▽=0 ▽=0	GENERAL TOLERANCES (UNLESS SPECIFIED)		DIMENSION STYLE INCH ONLY		SCALE 4:1	DESIGN UNITS INCH	THIRD ANGLE PROJECTION		
		4 PLACES	± ---	± ---	DRAWN BY	DATE	TITLE TERMINAL, .187 FAST-TAB SGL TAB 1 HOLE 90/VERT (CAT# 1215)			
		3 PLACES	± ---	± .005	CHECKED BY	DATE				
		2 PLACES	± ---	± .01	APPROVED BY	DATE	MOLEX INCORPORATED			
1 PLACE	± ---	± ---	JMACNEIL	2009/07/28						
ANGULAR ± 2 °		DRAFT WHERE APPLICABLE MUST REMAIN WITHIN DIMENSIONS		SEE CHART		DOCUMENT NO. SD-38002-069		SHEET NO. 1 OF 1		
THIS DRAWING CONTAINS INFORMATION THAT IS PROPRIETARY TO MOLEX INCORPORATED AND SHOULD NOT BE USED WITHOUT WRITTEN PERMISSION										