

Type 1 surge protection device - FLT 50 N/PE - 2816904

Please be informed that the data shown in this PDF Document is generated from our Online Catalog. Please find the complete data in the user's documentation. Our General Terms of Use for Downloads are valid (<http://phoenixcontact.com/download>)



Lightning current arrester with encapsulated N-PE spark gap, 1-channel. Housing width: 17.5 mm (1 Div.)



Key commercial data

Packing unit	1 pc
Weight per Piece (excluding packing)	180.9 GRM
Custom tariff number	85363030
Country of origin	Germany

Classifications

eCl@ss

eCl@ss 4.0	27140201
eCl@ss 4.1	27140201
eCl@ss 5.0	27140201
eCl@ss 5.1	27140201
eCl@ss 6.0	27140201

ETIM

ETIM 2.0	EC000381
ETIM 3.0	EC000381
ETIM 4.0	EC000381
ETIM 5.0	EC000381

UNSPSC

UNSPSC 6.01	30212010
UNSPSC 7.0901	39121610
UNSPSC 11	39121610
UNSPSC 12.01	39121610

Type 1 surge protection device - FLT 50 N/PE - 2816904

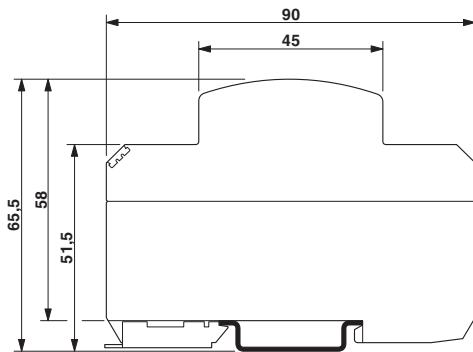
Classifications

UNSPSC

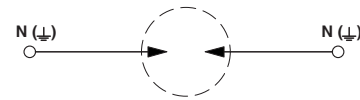
UNSPSC 13.2	39121620
-------------	----------

Drawings

Dimensioned drawing



Circuit diagram



Type 1 surge protection device - FLT 50 N/PE - 2816904

Catalog photo

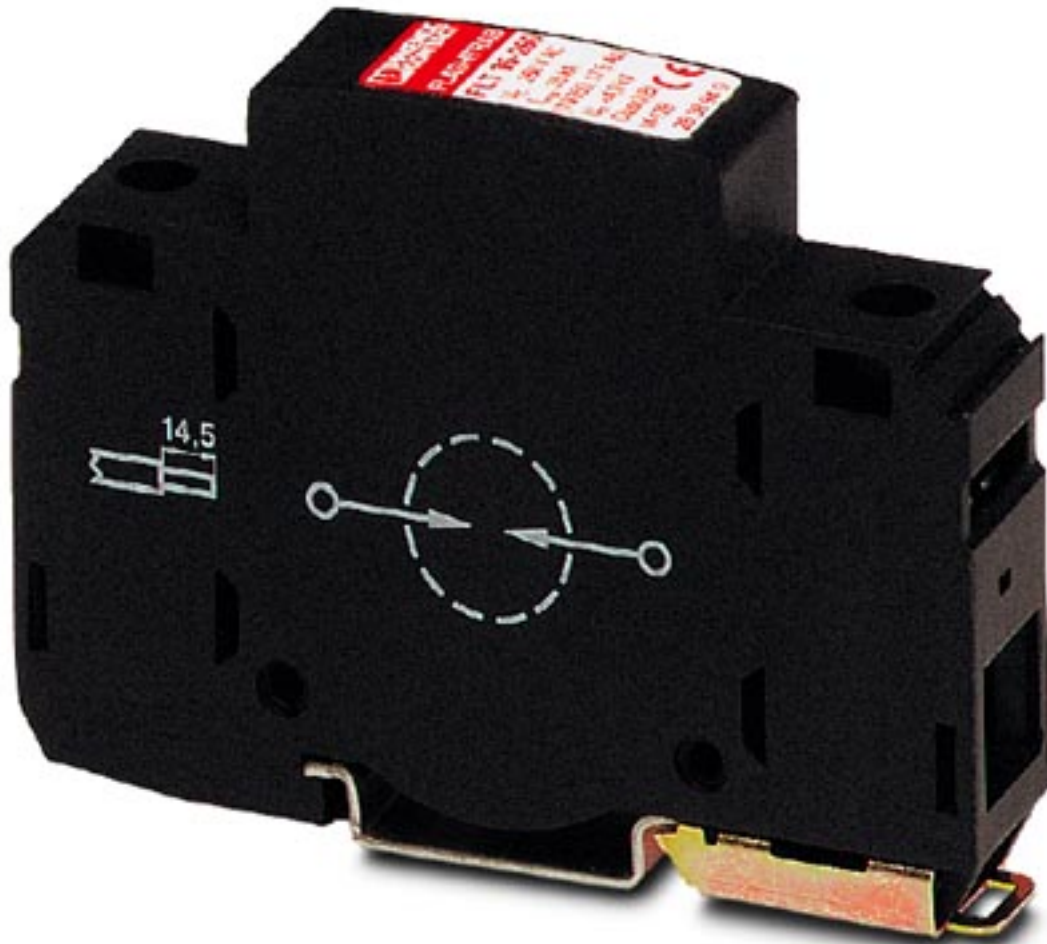


Figure may contain other products.