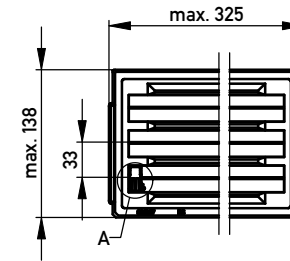
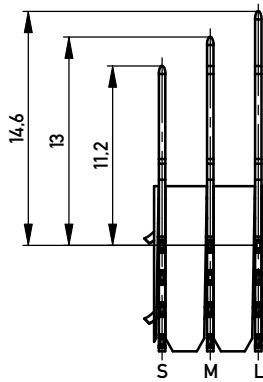


Kontaktübersicht: contacts overview

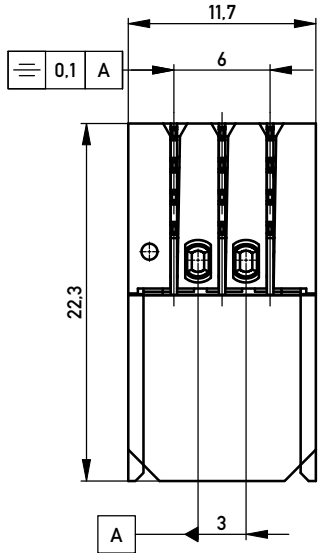
L = lang / long
M = mittel / middle
S = kurz / short



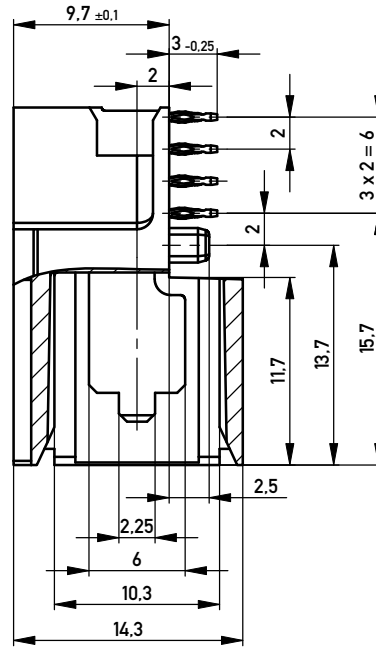
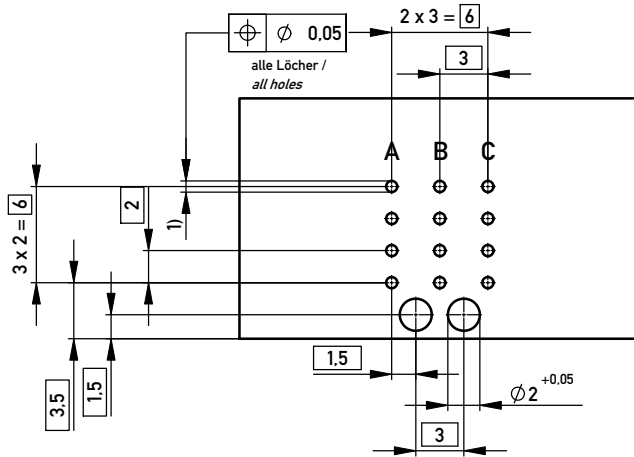
M 1.5

verpackt in Tray
VPE: 72 St.

tray packaging
packaging unit 72 pcs.



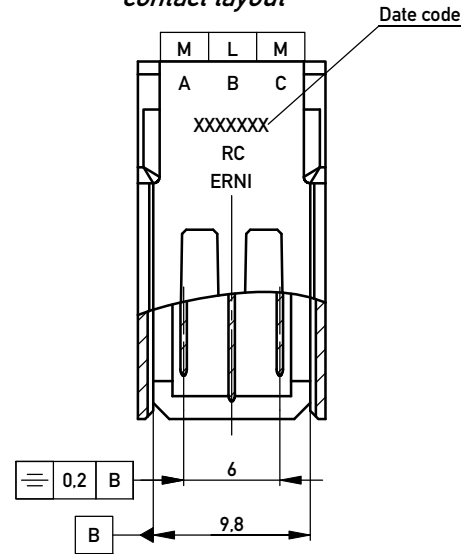
Lochbild für Leiterplatte / Board hole pattern



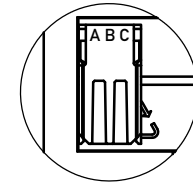
1) $\text{Ø} 0,6 \pm 0,05$ Durchmesser des metallisierten Loches
 $\text{Ø} 0,6 \pm 0,05$ Diameter of finished plated-through hole

Schichtaufbau im metallisierten Loch siehe
Zeichnung 114406 / 164062 Nr.1
Metal plating of plated-through hole see
drawing 114406 / 164062 No.1

Bestückungsplan / contact layout





DETAIL A
MAßSTAB 1 : 1



Gehäuse / housing: PBTP grau 30% GF / PBTP grey 30% GF
Kontakte / contacts: Phosphor Bronze / phosphor bronze

Oberflächenbeschichtung / plating:
Kontaktbereich / mating area: 0.65µm PdNi, 0.1µm Au
Anschlussbereich / termination: 1.5-3µm Ni, 0.5-2µm Sn matt

Anforderungsstufe 2 / class 2

| | | | | | | |
|--|------------|---|---|---|---------|--|
| Information: | | Tolerances |  All Dimensions in mm | Scale | 3:1 | |
| All rights reserved. Only for Information. To ensure that this is the latest version of this drawing, please contact one of the ERNI companies before using. | | Subject to modification without prior notice. Drawing will not be updated. | | Designation ERmet Messerleiste PM 14,3 <i>ERmet Male PM 14,3</i> | | |
|  www.ERNI.com | | 114402 | | | I A3 | |
| k | 19.11.2010 | Class | | ERMPM | | |
| Index | Date | | | | | |

Copyright by ERNI GmbH. Proprietary notice pursuant to ISO 16016 to be observed.