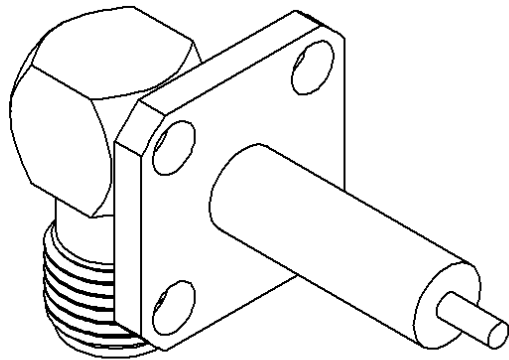
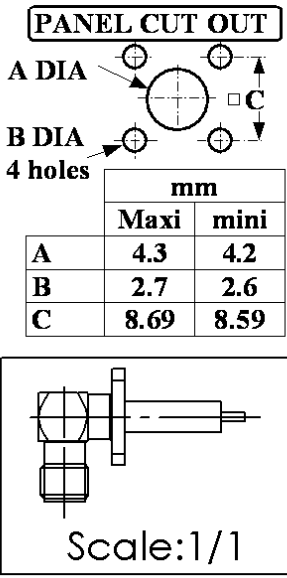
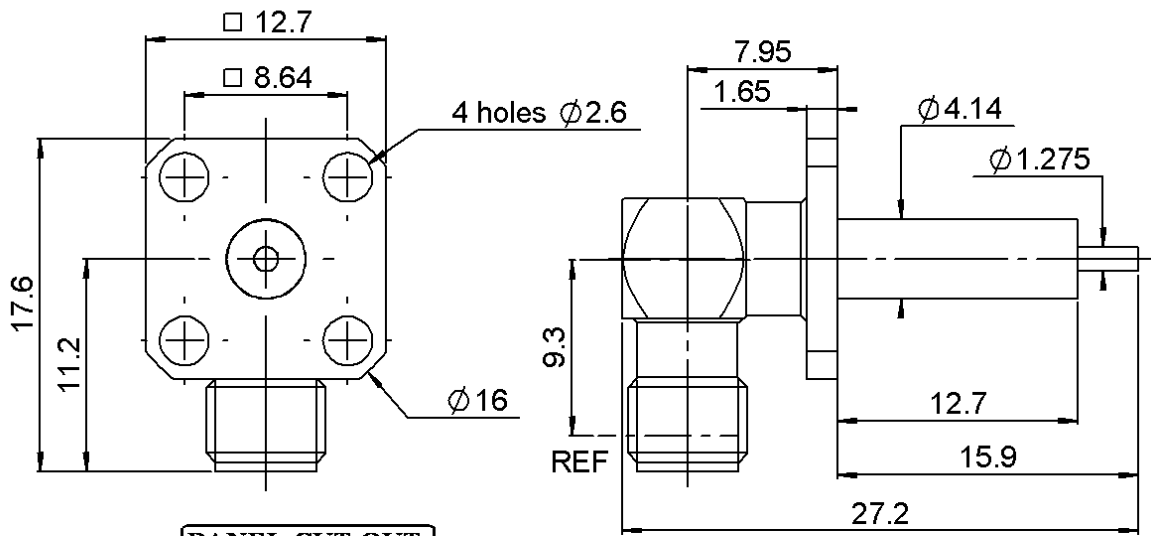


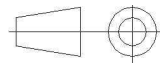
**RIGHT ANGLE SQUARE FLANGE JACK RECEPT.**

**R125.654.450**

Series : SMA



All dimensions are in mm.



| COMPONENTS     | MATERIALS        | PLATING (µm)           |
|----------------|------------------|------------------------|
| BODY           | INOX             | GOLD 0.5 OVER NICKEL 2 |
| CENTER CONTACT | BERYLLIUM COPPER | GOLD 1.3 OVER NICKEL2  |
| OUTER CONTACT  | -                | -                      |
| INSULATOR      | PTFE             | -                      |
| GASKET         | -                | -                      |
| OTHERS PARTS   | -                | -                      |
| .              | .                | .                      |
| .              | .                | .                      |

Issue : 0442 J

In the effort to improve our products, we reserve the right to make changes judged to be necessary.



**RIGHT ANGLE SQUARE FLANGE JACK RECEPT.**

**R125.654.450**

Series : SMA

**PACKAGING**

**SPECIFICATION**

| Standard | Unit | Other             |
|----------|------|-------------------|
| <b>1</b> |      | <b>Contact us</b> |

**ELECTRICAL CHARACTERISTICS**

**ENVIRONMENTAL**

|                                 |               |                              |
|---------------------------------|---------------|------------------------------|
| Impedance                       |               | <b>50</b> Ω                  |
| Frequency                       |               | <b>0-18</b> GHz              |
| VSWR                            | <b>1.05</b> + | <b>0,0100</b> x F(GHz) Maxi  |
| Insertion loss                  |               | <b>0.06*</b> √F(GHz) dB Maxi |
| RF leakage                      | - (           | <b>100</b> - F(GHz)) dB Maxi |
| Voltage rating                  |               | <b>500</b> Veff Maxi         |
| Dielectric withstanding voltage |               | <b>1000</b> Veff mini        |
| Insulation resistance           |               | <b>5000</b> MΩ mini          |

|                       |                     |
|-----------------------|---------------------|
| Operating temperature | <b>-65/+165</b> ° C |
| Hermetic seal         | <b>NA</b> Atm.cm3/s |
| Panel leakage         | <b>NA</b>           |

**OTHER CHARACTERISTICS**

Assembly instruction **NA**

Others :

\* Coaxial Transmission Line Only

**MECHANICAL CHARACTERISTICS**

|                            |           |           |
|----------------------------|-----------|-----------|
| Center contact retention   |           |           |
| Axial force – Mating end   | <b>27</b> | N mini    |
| Axial force – Opposite end | <b>27</b> | N mini    |
| Torque                     | <b>NA</b> | N.cm mini |

|                    |            |      |
|--------------------|------------|------|
| Recommended torque |            |      |
| Mating             | <b>100</b> | N.cm |
| Panel nut          | <b>100</b> | N.cm |

|             |               |             |
|-------------|---------------|-------------|
| Mating life | <b>500</b>    | Cycles mini |
| Weight      | <b>5,1070</b> | g           |

Issue : 0442 J

In the effort to improve our products, we reserve the right to make changes judged to be necessary.

