

MATERIALS AND FINISHES

BODY: BRASS
PLATED NICKEL

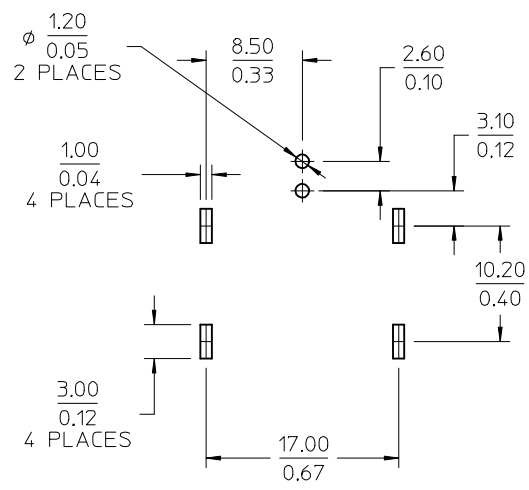
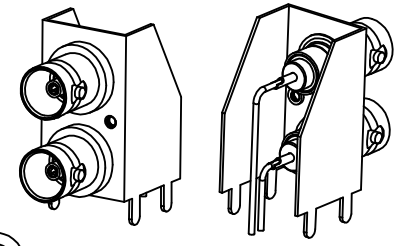
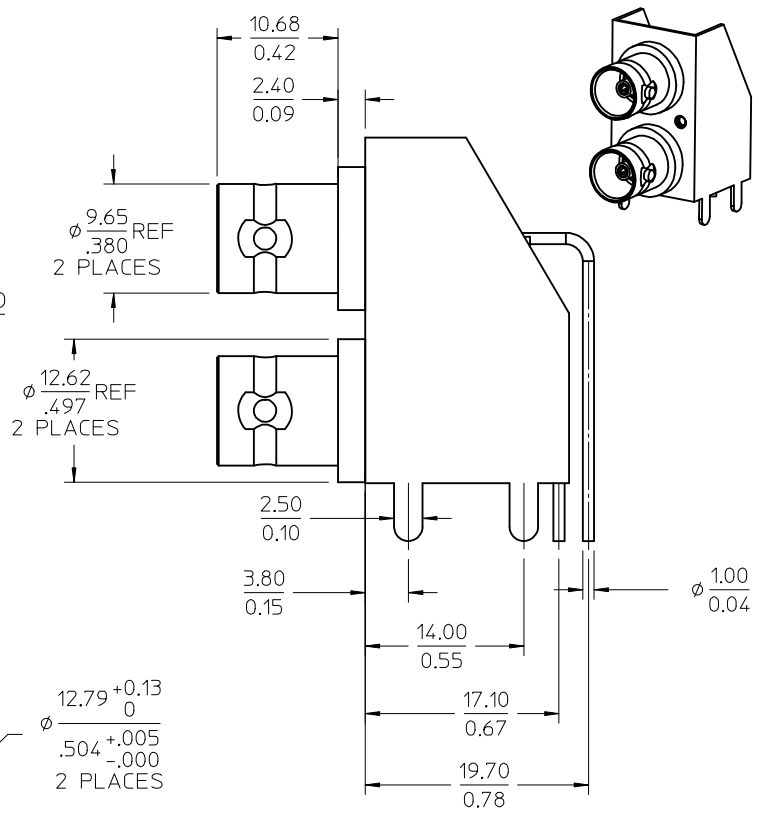
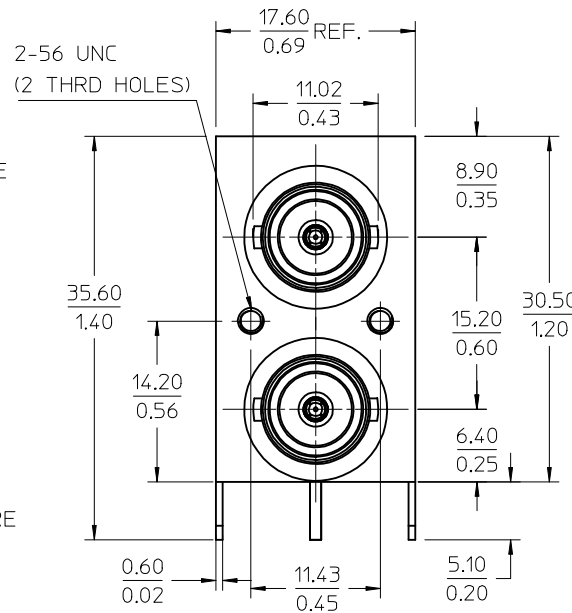
CENTER CONTACT: PHOSPHOR BRONZE
PLATED GOLD

INSULATOR: TEFLON

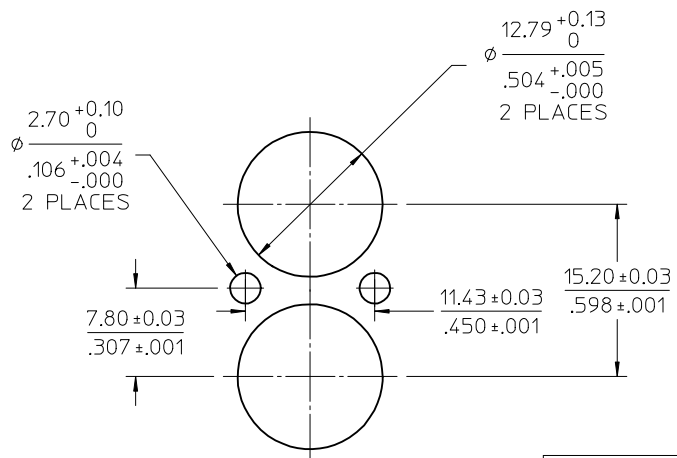
PRESS RING: STEEL
PASSIVATE

BRACKET: SPCC
PLATED NICKEL

GROUNDING: COPPER OVER STEEL WIRE
PLATED TIN



RECOMMENDED PCB LAYOUT



RECOMMENDED
PANEL CUT-OUT
PANEL THK: 2.00/.079 MAX.

PS-73598-0051	ELEC/MECH PERFORMANCE
MIL-STD-348A, FIG. 301.2	INTERFACE
SPECIFICATION	DESCRIPTION

73415-3981	1 PC PER BAG
73415-3980	TRAY
PART NO.	PACKAGING

CHG: ADDED PANEL CUTOUT PER RF15-E253	EC NO: URF2016-0007	2015/07/09
DRW: NCKE102	CHKD:	2015/07/23
APPR: YCHENG	DESCRIPTION	
REV		

QUALITY SYMBOLS	$\nabla = 0$
	$\nabla = 0$
	$\nabla = 0$

GENERAL TOLERANCES (UNLESS SPECIFIED)	mm	INCH
4 PLACES	\pm .005	\pm .0002
3 PLACES	\pm .005	\pm .0002
2 PLACES	\pm .005	\pm .0002
1 PLACE	\pm .005	\pm .0002
0 PLACE	\pm .005	\pm .0002
ANGULAR \pm 2°		
DRAFT WHERE APPLICABLE MUST REMAIN WITHIN DIMENSIONS		

DIMENSION STYLE MM/IN	
DRAWN BY	DATE
CLL1	2003/09/08
CHECKED BY	DATE
-	2003/09/08
APPROVED BY	DATE
-	2003/09/08

SCALE	DESIGN UNITS METRIC	THIRD ANGLE PROJECTION
TITLE BNC 75 OHMS JACK DUAL BNC-J/PCB		
MATERIAL NO. SEE TABLE		DOCUMENT NO. SD-73415-398
SIZE C		SHEET NO. 1 OF 1