

FP-MFB

Mid-Size Flat Panel Flush Mount -
Open Architecture Design

Product Features:

Holds 27" – 42" flat panels

Maximum flat panel hole pattern – 440mm x 330mm

Distance from wall to back of the flat panel – 0.7"

Load capacity – 100 lbs

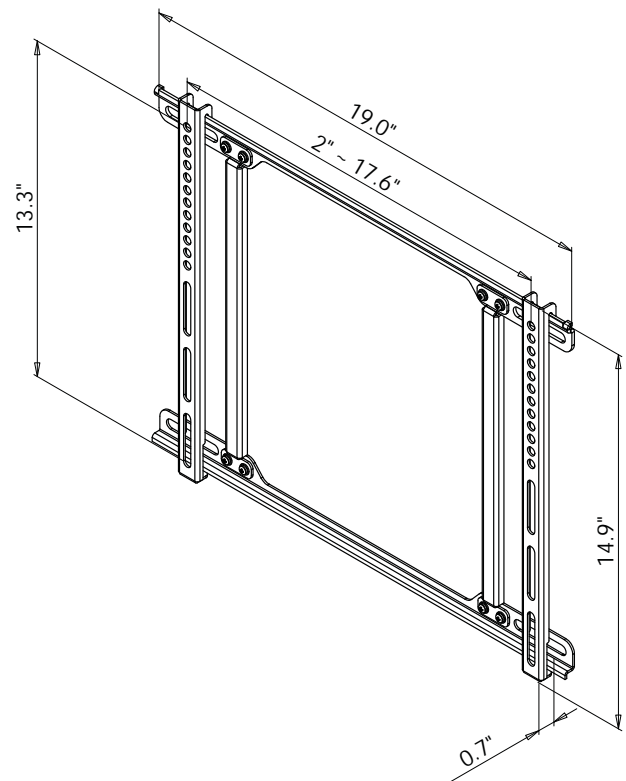
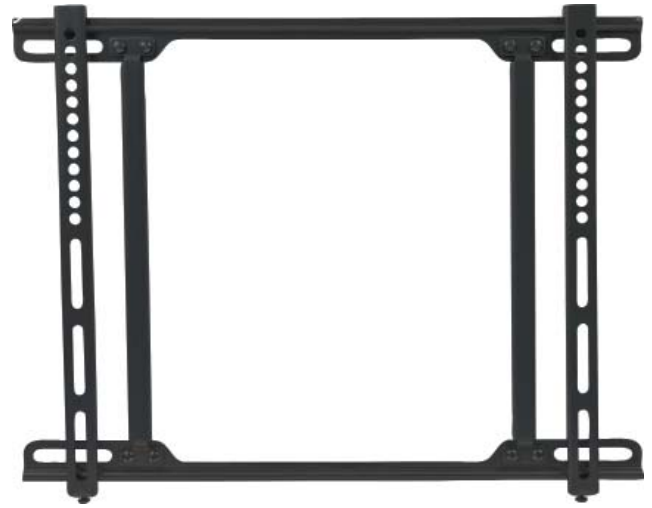
Silver powder coat finish

Also available in silver finish (FP-MF)

Product Specifications:

(for Architects & Engineers)

The wall flush mount for the mid-size flat panel display shall be the Video Mount Products (VMP) FP-MF. The mount shall be designed to attach to 2 studs up to 16" apart or other suitable support surface. The mount shall be primarily composed of formed steel and shall incorporate arc welds and security screws. The mount shall be capable of adjusting to accommodate a wide variety of flat panels ranging in size from 27" to 42" and not necessarily be model specific. The adjustable mounting rails shall be capable of accommodating a maximum hole pattern of 440 mm wide and 330 mm tall. The load capacity shall be 100 lbs.



Video Mount Products

345 Log Canoe Circle

Stevensville, MD 21666

Toll Free: 877.281.2169

Telephone: 410.643.6390

Facsimile: 410.643.6615

www.videomount.com

VMP
VIDEO MOUNT PRODUCTS