

MAX4736

0.6Ω, Low-Voltage, Single-Supply, Dual SPDT Analog Switch

General Description

The MAX4736 is a low on-resistance, low-voltage, dual single-pole/double throw (SPDT) analog switch that operates from a single 1.6V to 4.2V supply. This device has fast switching speeds ($t_{ON} = 25ns$, $t_{OFF} = 20ns$ max), handles rail-to-rail analog signals, and consumes less than $4\mu W$ of quiescent power. The MAX4736 has break-before-make switching.

When powered from a 3V supply, the MAX4736 features low 0.6Ω on-resistance (R_{ON}), with 0.1Ω R_{ON} matching and 0.05Ω R_{ON} flatness. The digital logic input is 1.8V CMOS compatible when using a single 3V supply.

The MAX4736 has one normally open (NO) switch and one normally closed (NC) switch, and is available in 12-pin TQFN (3mm x 3mm), 10-pin μ MAX, and 10-pin μ DFN (2mm x 2mm) packages.

Applications

- Power Routing
- Battery-Powered Systems
- Audio and Video Signal Routing
- Low-Voltage Data-Acquisition Systems
- Communications Circuits
- PCMCIA Cards
- Cellular Phones
- Modems
- Hard Drives

Benefits and Features

- Low R_{ON}
 0.6Ω (3V Supply)
 1.5Ω (1.8V Supply)
- 0.1Ω max R_{ON} Flatness (3V Supply)
- Single-Supply Operation Down to 1.6V
- Available in TQFN, μ DFN, and μ MAX Packages
- 1.8V CMOS Logic Compatible (3V Supply)
- Fast Switching: $t_{ON} = 25ns$, $t_{OFF} = 20ns$

Ordering Information

PART	TEMP RANGE	PIN-PACKAGE
MAX4736EUB+	-40°C to +85°C	10 μ MAX
MAX4736EUB+T	-40°C to +85°C	10 μ MAX
MAX4736ETC+	-40°C to +85°C	12 TQFN (3mm x 3mm)
MAX4736ETC+T	-40°C to +85°C	12 TQFN (3mm x 3mm)
MAX4736ELB+	-40°C to +85°C	10 μ DFN (2mm x 2mm)
MAX4736ELB+T	-40°C to +85°C	10 μ DFN (2mm x 2mm)

T = Tape and reel.

+Denotes lead(Pb)-free/RoHS-compliant package.

Pin Configurations/Functional Diagrams/Truth Table

TOP VIEW

TQFN

μ MAX/ μ DFN

MAX4736		
IN ₋	NO ₋	NC ₋
0	OFF	ON
1	ON	OFF

SWITCHES SHOWN FOR LOGIC 0 INPUT

NOTE: CONNECT EXPOSED PAD ON TQFN AND μ DFN TO GND.

Absolute Maximum Ratings

(Voltages referenced to GND.)

V+, IN_	-0.3V to +4.6V
COM_, NO_, NC_ (Note 1)	-0.3V to (V+ + 0.3V)
Continuous Current COM_, NO_, NC_	±300mA
Continuous Current (all other pins)	±20mA
Peak Current COM_, NO_, NC_ (pulsed at 1ms 10% duty cycle)	±500mA

Continuous Power Dissipation (T_A = +70°C)

10-Pin μDFN (derate 5.3mW/°C above +70°C)	423.7mW
10-Pin μMAX (derate 5.6mW/°C above +70°C)	444mW
12-Pin TQFN (derate 14.7mW/°C above +70°C)	1176mW
Operating Temperature Range	-40°C to +85°C
Maximum Junction Temperature	+150°C
Storage Temperature Range	-65°C to +150°C
Lead Temperature (soldering, 10s)	+300°C
Soldering Temperature (reflow)	+260°C

Note 1: Signals on COM_, NO_, or NC_ exceeding V+ or GND are clamped by internal diodes. Limit forward current to maximum current rating.

Stresses beyond those listed under "Absolute Maximum Ratings" may cause permanent damage to the device. These are stress ratings only, and functional operation of the device at these or any other conditions beyond those indicated in the operational sections of the specifications is not implied. Exposure to absolute maximum rating conditions for extended periods may affect device reliability.

Electrical Characteristics—Single 3V Supply

(V+ = 2.7V to 4.2V, V_{IH} = 1.4V, V_{IL} = 0.5V, T_A = T_{MIN} to T_{MAX}, unless otherwise specified. Typical values are at V+ = 3.0V, T_A = +25°C.) (Notes 2, 3)

PARAMETER	SYMBOL	CONDITIONS		MIN	TYP	MAX	UNITS
ANALOG SWITCH							
Analog Signal Range	V _{COM_} , V _{NO_} , V _{NC_}			0		V+	V
On-Resistance (Note 4)	R _{ON}	V+ = 2.7V, I _{COM_} = 100mA; V _{NO_} or V _{NC_} = 1.5V	+25°C		0.6	0.8	Ω
			T _{MIN} to T _{MAX}			1	
On-Resistance Match Between Channels (Notes 4, 5)	ΔR _{ON}	V+ = 2.7V, I _{COM_} = 100mA; V _{NO_} or V _{NC_} = 1.5V	+25°C		0.1	0.2	Ω
			T _{MIN} to T _{MAX}			0.3	
On-Resistance Flatness (Note 6)	R _{FLAT(ON)}	V+ = 2.7V, I _{COM_} = 100mA; V _{NO_} or V _{NC_} = 1V, 1.5V, 2V	+25°C		0.05	0.1	Ω
			T _{MIN} to T _{MAX}			0.2	
NO_ or NC_ Off-Leakage Current (Note 10)	I _{NO_ (OFF)} , I _{NC_ (OFF)}	V+ = 3.6V, V _{COM_} = 0.3V, 3.3V; V _{NO_} or V _{NC_} = 3.3V, 0.3V	+25°C	-1	±0.002	+1	nA
			T _{MIN} to T _{MAX}		-5		
COM_ On-Leakage Current (Note 10)	I _{COM_(ON)}	V+ = 3.6V, V _{COM_} = 0.3V, 3.3V; V _{NO_} or V _{NC_} = 0.3V, 3.3V, or floating	+25°C	-2	±0.002	+2	nA
			T _{MIN} to T _{MAX}		-10		

Electrical Characteristics—Single 3V Supply (continued)

(V+ = 2.7V to 4.2V, V_{IH} = 1.4V, V_{IL} = 0.5V, T_A = T_{MIN} to T_{MAX}, unless otherwise specified. Typical values are at V+ = 3.0V, T_A = +25°C.) (Notes 2, 3)

PARAMETER	SYMBOL	CONDITIONS		MIN	TYP	MAX	UNITS
SWITCH DYNAMIC CHARACTERISTICS							
Turn-On Time	t _{ON}	V _{NO_} , V _{NC_} = 1.5V; R _L = 50Ω, C _L = 35pF, Figure 1	+25°C		20	25	ns
			T _{MIN} to T _{MAX}			30	
Turn-Off Time	t _{OFF}	V _{NO_} , V _{NC_} = 1.5V; R _L = 50Ω, C _L = 35pF, Figure 1	+25°C		15	20	ns
			T _{MIN} to T _{MAX}			25	
Break-Before-Make (Note 7)	t _{BBM}	V _{NO_} , V _{NC_} = 1.5V; R _L = 50Ω, C _L = 35pF, Figure 2	+25°C		5		ns
			T _{MIN} to T _{MAX}	1			
Charge Injection	Q	V _{GEN} = 0, R _{GEN} = 0, C _L = 1.0nF, Figure 3	+25°C		60		pC
NO_ or NC_ Off-Capacitance	C _{OFF}	f = 1MHz, Figure 4	+25°C		33		pF
COM_ Off-Capacitance	C _{COM(OFF)}	f = 1MHz, Figure 4	+25°C		60		pF
COM_ On-Capacitance	C _{COM(ON)}	f = 1MHz, Figure 4	+25°C		85		pF
-3dB On-Channel Bandwidth	BW	Signal = 0, R _{IN} = R _{OUT} = 50Ω, C _L = 5pF, Figure 5			130		MHz
Off-Isolation (Note 8)	V _{ISO}	f = 1MHz, V _{COM_} = 1V _{P-P} , R _L = 50Ω, C _L = 5pF, Figure 5	+25°C		-52		dB
Crosstalk (Note 9)	V _{CT}	f = 1MHz, V _{COM_} = 1V _{P-P} , R _L = 50Ω, C _L = 5pF, Figure 5	+25°C		-78		dB
Total Harmonic Distortion	THD	f = 20Hz to 20kHz, V _{COM_} = 2V _{P-P} , R _L = 32Ω	+25°C		0.018		%
LOGIC INPUT (A_, IN_)							
Input Logic High	V _{IH}			1.4			V
Input Logic Low	V _{IL}					0.5	V
Input Leakage Current	I _{IN}	V _{IN_} = 0 or 3.6V		-1	+0.005	+1	μA
POWER SUPPLY							
Power-Supply Range	V+			1.6		3.6	V
Positive Supply Current	I+	V+ = 3.6V, V _{IN_} = 0 or V+, all channels on or off			0.006	1	μA

Electrical Characteristics—Single 1.8V Supply

(V+ = 1.8V, V_{IH} = 1.0V, V_{IL} = 0.4V, T_A = T_{MIN} to T_{MAX}, unless otherwise specified. Typical values are at T_A = +25°C.) (Notes 2, 3)

PARAMETER	SYMBOL	CONDITIONS	T _A	MIN	TYP	MAX	UNITS
ANALOG SWITCH							
Analog Signal Range	V _{COM_} , V _{NO_} , V _{NC_}			0		V+	V
On-Resistance	R _{ON}	I _{COM_} = 100mA; V _{NO_} or V _{NC_} = 1V	+25°C		1.5	2	Ω
			T _{MIN} to T _{MAX}			3	
SWITCH DYNAMIC CHARACTERISTICS							
Turn-On Time	t _{ON}	V _{NO_} or V _{NC_} = 1V; R _L = 50Ω, C _L = 35pF, Figure 1	+25°C		25	30	ns
			T _{MIN} to T _{MAX}			35	
Turn-Off Time	t _{OFF}	V _{NO_} or V _{NC_} = 1V; R _L = 50Ω, C _L = 35pF, Figure 1	+25°C		18	25	ns
			T _{MIN} to T _{MAX}			28	
Break-Before-Make (Note 7)	t _{BBM}	V _{NO_} or V _{NC_} = 1V; R _L = 50Ω, C _L = 35pF, Figure 2	+25°C		7		ns
			T _{MIN} to T _{MAX}		1		
Charge Injection	Q	V _{GEN} = 0, R _{GEN} = 0, C _L = 1nF, Figure 3	+25°C		35		pC
Off-Isolation (Note 8)	V _{ISO}	f = 1MHz, V _{NO_} = V _{NC_} = 1V _{P-P} , R _L = 50Ω, C _L = 5pF, Figure 5	+25°C		-52		dB
Crosstalk (Note 9)	V _{CT}	f = 1MHz, V _{COM_} = 1V _{P-P} , R _L = 50Ω, C _L = 5pF, Figure 5	+25°C		-78		dB
LOGIC INPUT (IN__)							
Input Logic High	V _{IH}			1			V
Input Logic Low	V _{IL}					0.4	V
Input Leakage Current	I _{IN}	V _{IN_} = 0 or 3.6V				1	μA

Note 2: The algebraic convention, where the most negative value is a minimum and the most positive value is a maximum, is used in this data sheet.

Note 3: -40°C specifications are guaranteed by design.

Note 4: R_{ON} and ΔR_{ON} matching specifications for TQFN packaged parts are guaranteed by design.

Note 5: ΔR_{ON} = R_{ON(MAX)} - R_{ON(MIN)}.

Note 6: Flatness is defined as the difference between the maximum and the minimum value of on-resistance as measured over the specified analog signal ranges.

Note 7: Guaranteed by design.

Note 8: Off-Isolation = 20log₁₀(V_{COM_}/V_{NO_}), V_{COM_} = output, V_{NO_} = input to OFF switch.

Note 9: Between two switches.

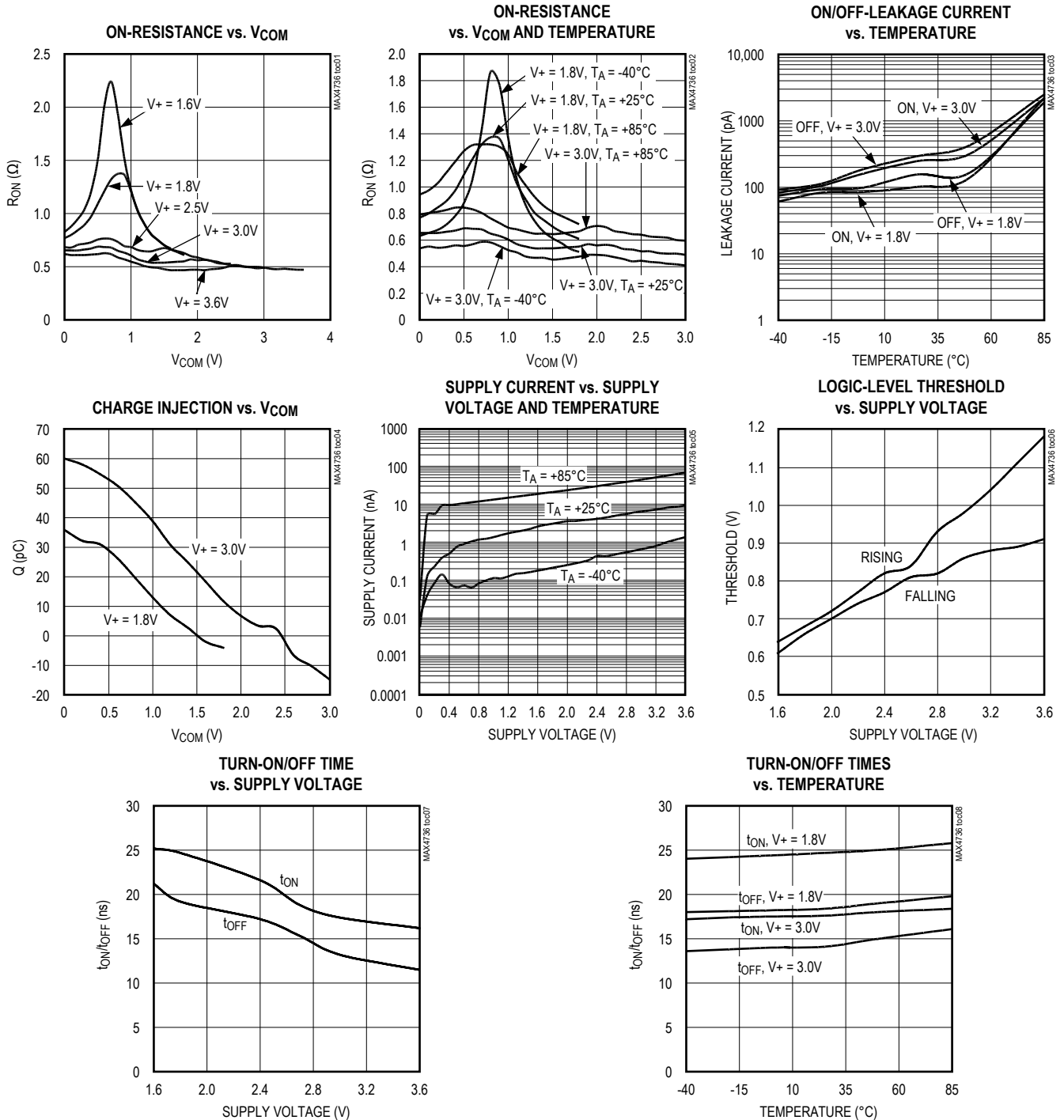
Note 10: Leakage parameters are 100% tested at hot temperature and guaranteed by correlation at room.

Note 11: Devices are guaranteed to 1 million cycles of operation. (Cycle = switch on → switch off → switch on)

Note 12: The minimum load resistance is 8Ω.

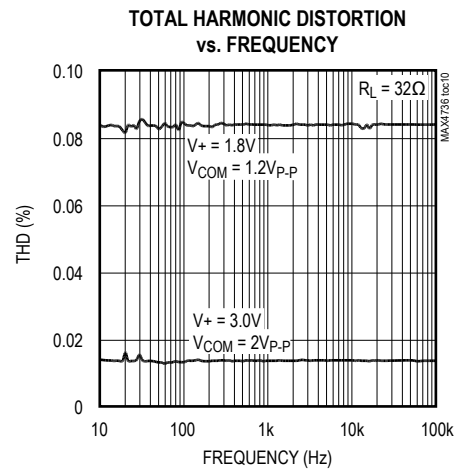
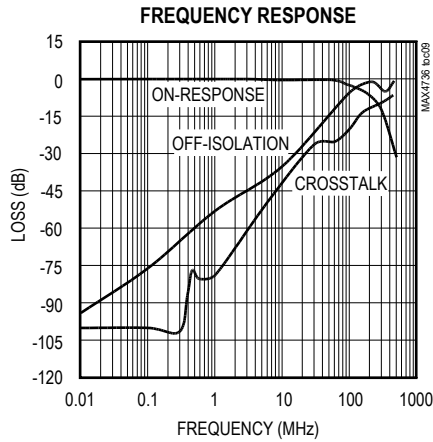
Typical Operating Characteristics

(T_A = +25°C, unless otherwise noted.)



Typical Operating Characteristics (continued)

(T_A = +25°C, unless otherwise noted.)



Pin Description

PIN		NAME	FUNCTION
μMAX/μDFN	TQFN		
1	12	IN1	Digital Control Input Switch 1
2	1	NO1	Analog Switch 1—Normally Open Terminal
3	2	GND	Ground
4	3	NO2	Analog Switch 2—Normally Open Terminal
5	4	IN2	Digital Control Input Switch 2
6	5	COM2	Analog Switch 2—Common Terminal
7	7	NC2	Analog Switch 2—Normally Closed Terminal
8	8	V+	Positive-Supply Voltage Input
9	9	NC1	Analog Switch 1—Normally Closed Terminal
10	11	COM1	Analog Switch 1—Common Terminal
—	6,10	N.C.	No Connection
—	EP	EP	Exposed Pad. Connect to ground.

Detailed Description

The MAX4736 is a low 0.8Ω max (at V+ = 2.7V) onresistance, low-voltage, dual SPDT analog switch that operates from a 1.6V to 4.2V single supply. CMOS switch construction allows switching analog signals that range from GND to V+.

When powered from a 2.7V supply, the 0.8Ω max R_{ON} allows high continuous currents to be switched in a variety of applications.

Applications Information

Proper power-supply sequencing is recommended for all CMOS devices. Do not exceed the absolute maximum ratings; stresses beyond the listed ratings can cause permanent damage to the devices. Always sequence V+ on first, followed by NO₋, NC₋, or COM₋.

Although it is not required, power-supply bypassing improves noise margin and prevents switching noise propagation from the V+ supply to other components. A 0.1μF capacitor, connected from V+ to GND, is adequate for most applications.

Logic Inputs

The MAX4736 logic inputs can be driven up to 3.6V, regardless of the supply voltage. For example, with a 1.8V supply, IN₋ can be driven low to GND and high to 3.6V. Driving IN₋ rail-to-rail minimizes power consumption.

Analog Signal Levels

Analog signals that range over the entire supply voltage (V+ to GND) can be passed with very little change in onresistance (see *Typical Operating Characteristics*). The switches are bidirectional, so the NO₋, NC₋, and COM₋ pins can be used as either inputs or outputs.

Layout

High-speed switches require proper layout and design procedures for optimum performance. Reduce stray inductance and capacitance by keeping traces short and wide. Ensure that bypass capacitors are as close to the device as possible. Use large ground planes where possible.

Test Circuits/Timing Diagrams

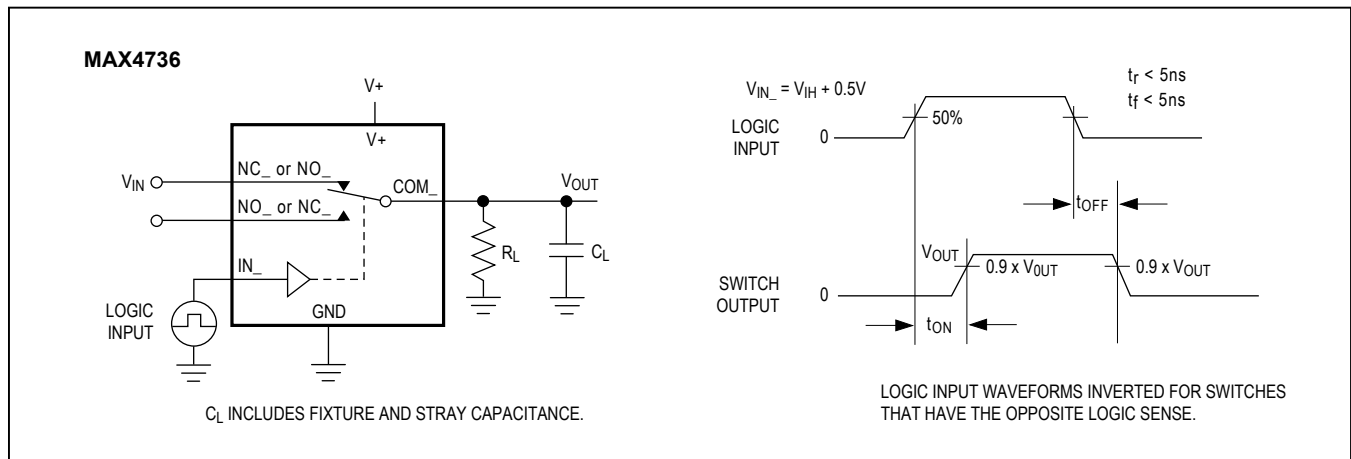


Figure 1. Switching Time

Test Circuits/Timing Diagrams (continued)

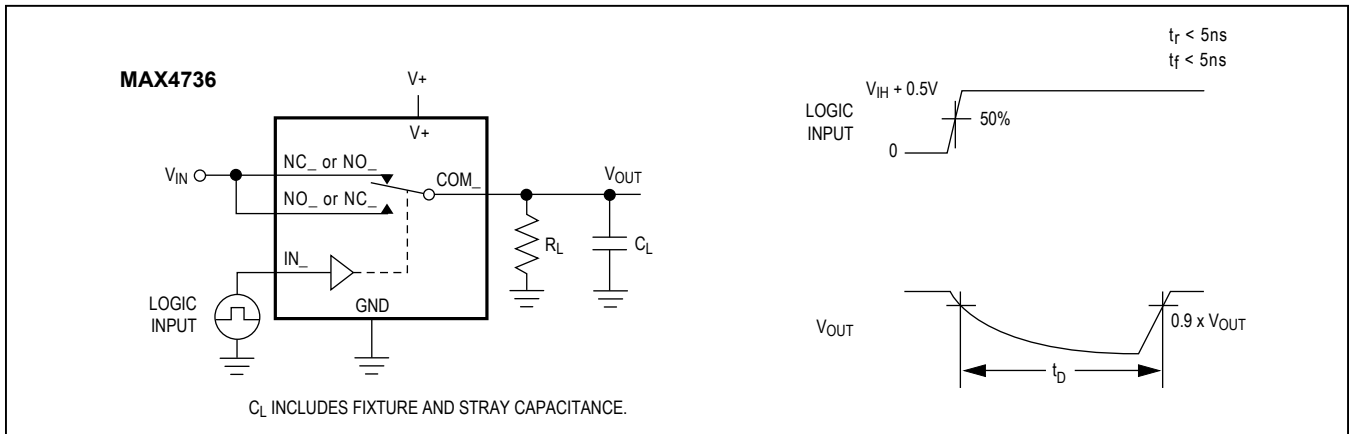


Figure 2. Break-Before-Make Interval

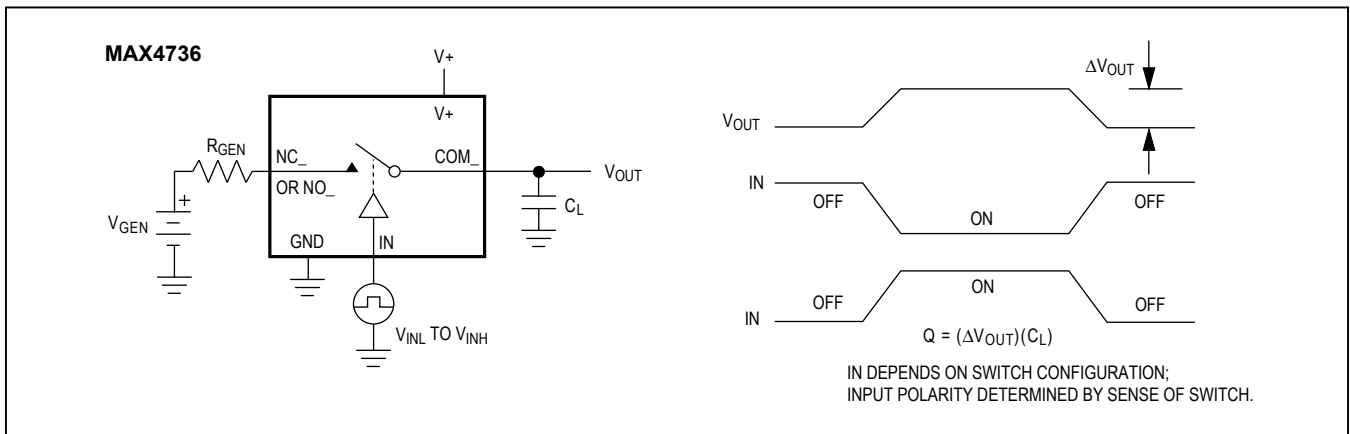


Figure 3. Charge Injection

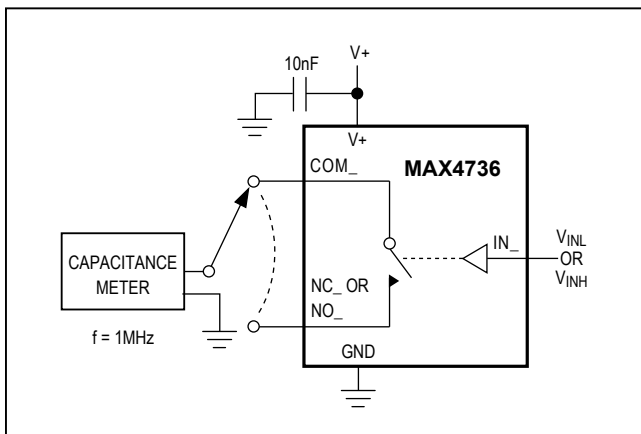


Figure 4. Channel Off/On-Capacitance

Chip Information

TRANSISTOR COUNT: 379

PROCESS: CMOS

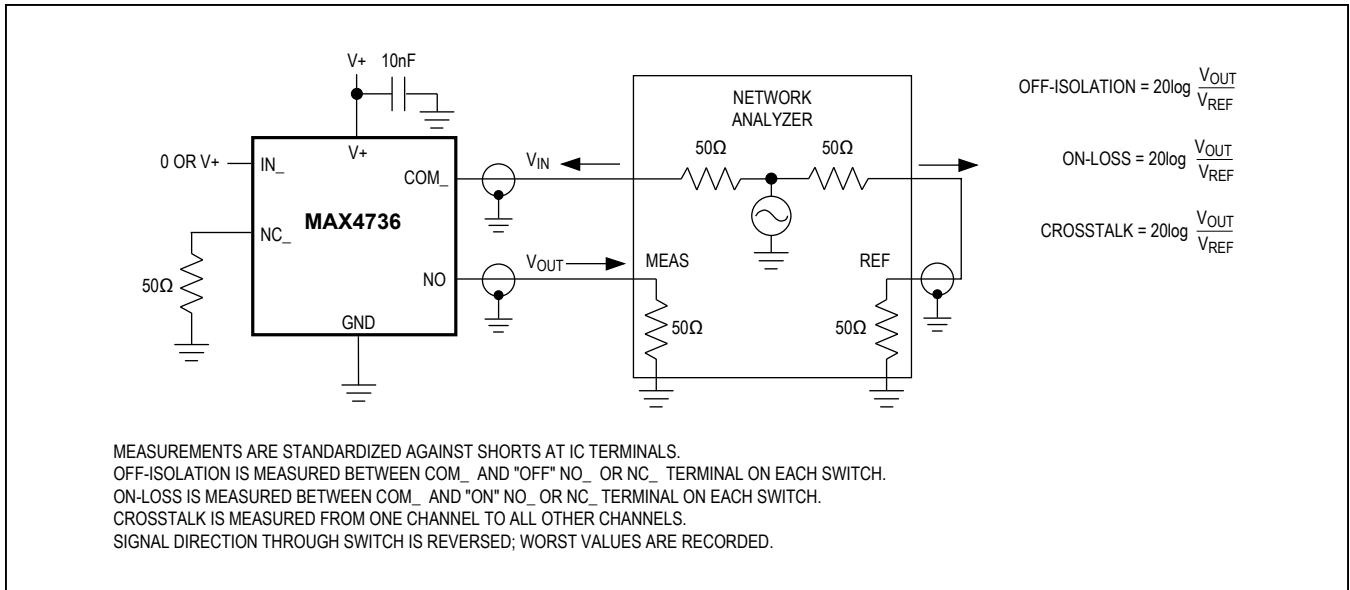


Figure 5. On-Loss, Off-Isolation, and Crosstalk

Package Information

For the latest package outline information and land patterns (footprints), go to www.maximintegrated.com/packages. Note that a "+", "#", or "-" in the package code indicates RoHS status only. Package drawings may show a different suffix character, but the drawing pertains to the package regardless of RoHS status.

PACKAGE TYPE	PACKAGE CODE	OUTLINE NO.	LAND PATTERN NO.
10 MDFN	L1022+1	21-0164	90-0006
10 MMAX	U10+2	21-0061	90-0330
12 TQFN	T1233+1	21-0136	90-0066

MAX4736

0.6Ω, Low-Voltage, Single-Supply, Dual SPDT
Analog Switch

Revision History

REVISION NUMBER	REVISION DATE	DESCRIPTION	PAGES CHANGED
3	1/14	Added QFN package	1, 2, 4, 6, 10
4	11/16	Removed reference to EV kit manual, QFN package option, and corrected <i>Ordering Information</i> table	1, 2, 4, 6, 9

For pricing, delivery, and ordering information, please contact Maxim Direct at 1-888-629-4642, or visit Maxim Integrated's website at www.maximintegrated.com.

Maxim Integrated cannot assume responsibility for use of any circuitry other than circuitry entirely embodied in a Maxim Integrated product. No circuit patent licenses are implied. Maxim Integrated reserves the right to change the circuitry and specifications without notice at any time. The parametric values (min and max limits) shown in the Electrical Characteristics table are guaranteed. Other parametric values quoted in this data sheet are provided for guidance.