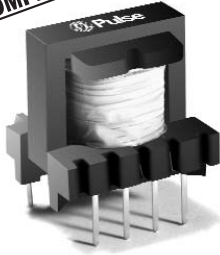


# POWER TRANSFORMERS

## For TinySwitch™ TNY253, TNY254 and TNY255



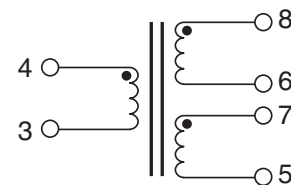
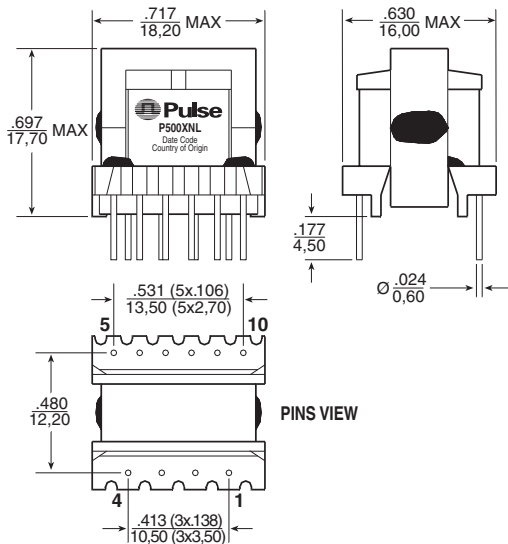
- Designed for use with Power Integration TNY253, TNY254 and TNY255 in low cost AC to DC converters for a large range of applications
- 4000 Vrms isolation
- Materials meet UL 94V-0 and IEC 950
- No audible noise
- Only two parts to cover a large range of output voltage

### Electrical Specifications @ 25°C — Operating Temperature -30°C to +110°C

Part Number	Turns Ratio	Leakage Inductance (μH)	Matched To	Power	Applications
P5000NL	1:0.07:0.07	180 MAX	TNY253	Up to 2 W	AC: 85 to 265 Vac, 2 DC outputs from 3.3 Vdc up to 6 Vdc or 1 DC output from 6 Vdc up to 12 Vdc
P5001NL	1:0.1:0.1	180 MAX			AC: 85 to 265 Vac, 2 DC outputs from 6 Vdc up to 12 Vdc or 1 DC output from 12 Vdc up to 24 Vdc
P5004NL	1:0.07:0.07	200 MAX	TNY254	Up to 4 W	AC: 85 to 265 Vac, 2 DC outputs from 3.3 Vdc up to 5.5 Vdc or 1 DC output from 6 Vdc up to 12 Vdc
P5005NL	1:0.1:0.1	200 MAX			AC: 85 to 265 Vac, 2 DC outputs from 6 Vdc up to 10 Vdc or 1 DC output from 12 Vdc up to 24 Vdc
P5008NL	1:0.07:0.07	100 MAX	TNY255	Up to 5.5 W	AC: 85 to 265 Vac, 2 DC outputs from 3.3 Vdc up to 6 Vdc or 1 DC output from 6 Vdc up to 18 Vdc
P5009NL	1:0.1:0.1	100 MAX			AC: 85 to 265 Vac, 2 DC outputs from 6 Vdc up to 12 Vdc or 1 DC output from 12 Vdc up to 24 Vdc

### Mechanical

### Schematic



Weight . . . . .6.7 grams  
 Tray . . . . .40/tray  
 Dimensions: Inches  
 mm  
 Unless otherwise specified, all tolerances are ± .010  
 .025

### For More Information:

**Pulse Worldwide Headquarters**  
 12220 World Trade Dr.  
 San Diego, CA 92128  
 U.S.A.  
[www.pulseeng.com](http://www.pulseeng.com)

**Pulse Europe**  
 Einsteinstrasse 1  
 D-71083 Herrenberg  
 Germany

**Pulse China Headquarters**  
 B402, Shenzhen  
 Tech-Innovation International  
 Tenth Kejinan Rd.  
 High-Tech Industrial Park  
 Nanshan District, Shenzhen  
 China  
 Tel: 86 755 33966678  
 Fax: 86 755 33966700

**Pulse North China**  
 Room 1503  
 XinYin Building  
 No. 888 YiShan Rd.  
 Shanghai 200233  
 China  
 Tel: 86 21 54643211/2  
 Fax: 86 21 54643210

**Pulse South Asia**  
 150 Kampong Ampat  
 #07-01/02  
 KA Centre  
 Singapore 368324

**Pulse North Asia**  
 No. 26  
 Kao Ching Rd.  
 Yang Mei Chen  
 Tao Yuan Hsien  
 Taiwan, R. O. C.  
 Tel: 886 3 4641811  
 Fax: 886 3 4641911

Tel: 858 674 8100  
 Fax: 858 674 8262

Tel: 49 7032 7806 0  
 Fax: 49 7032 7806 12

Tel: 86 21 54643211/2  
 Fax: 86 21 54643210

Tel: 65 6287 8998  
 Fax: 65 6280 0080

Performance warranty of products offered on this data sheet is limited to the parameters specified. Data is subject to change without notice. Other brand and product names mentioned herein may be trademarks or registered trademarks of their respective owners. © Copyright, 2007. Pulse Engineering, Inc. All rights reserved.