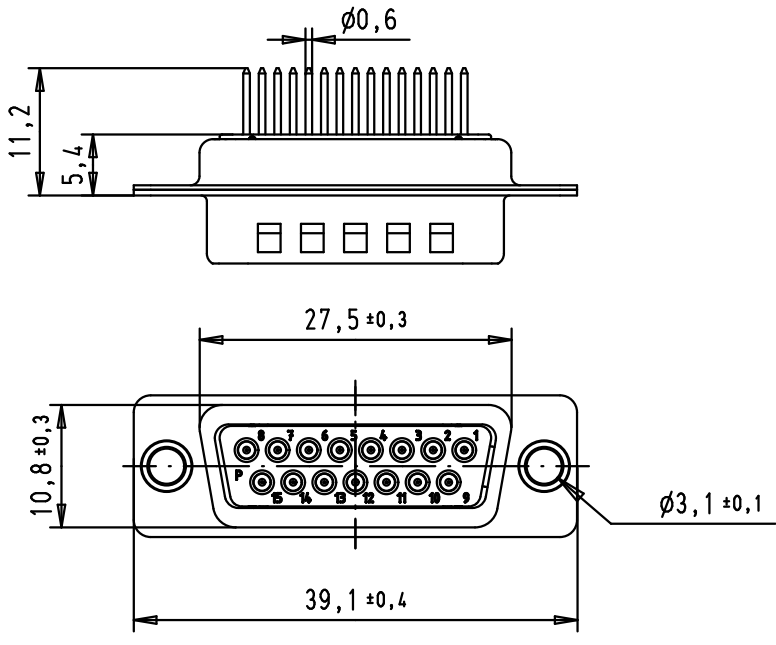


SPECIFICATION: C Filter

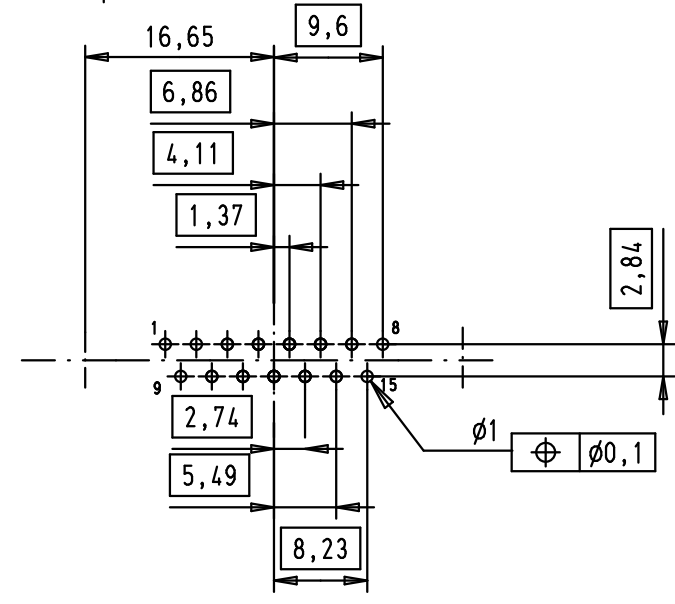
| | |
|-----------------------|------------|
| Performance level | PL2 |
| Capacitance | 1000pf±20% |
| Working Voltage | 100v |
| Current Rating | 7.5A |
| Insulation Resistance | >1GΩ |

Minimum insertion loss

| FREQUENCY (MHz) | ATTENUATION (dB) |
|-----------------|------------------|
| 5 | 1dB |
| 10 | 3dB |
| 50 | 12dB |
| 100 | 20dB |
| 500 | 34dB |
| 1000 | 30dB |



PCB Layout Component side



| | | | | | | |
|-------|----------|------|---------|----------|------|--------------------------------------|
| | | | | Dat. | Name | |
| | | | Detail. | 8-JUL-02 | CV | |
| | | | Insp. | 09/12/11 | JB | All Dim. in mm Orig. Size DIN A 4 |
| 36283 | 09/12/11 | SD | Stand. | | | |
| 31570 | 07/11/03 | AF | | | | |
| 31058 | 8-JUL-02 | CV | | | | |
| Mod. | Dat. | Name | | | | |

| | |
|--|-----------------------------|
| D-Sub, male, straight, 15 Poles, with turned solder pin and hole | Ma?Mstab/ Scale 1.5:1 |
| TB 09642227230 | Blatt/ Page 1 / 1 |
| Sub. | |

HARTING EURL
F-95972 Paris