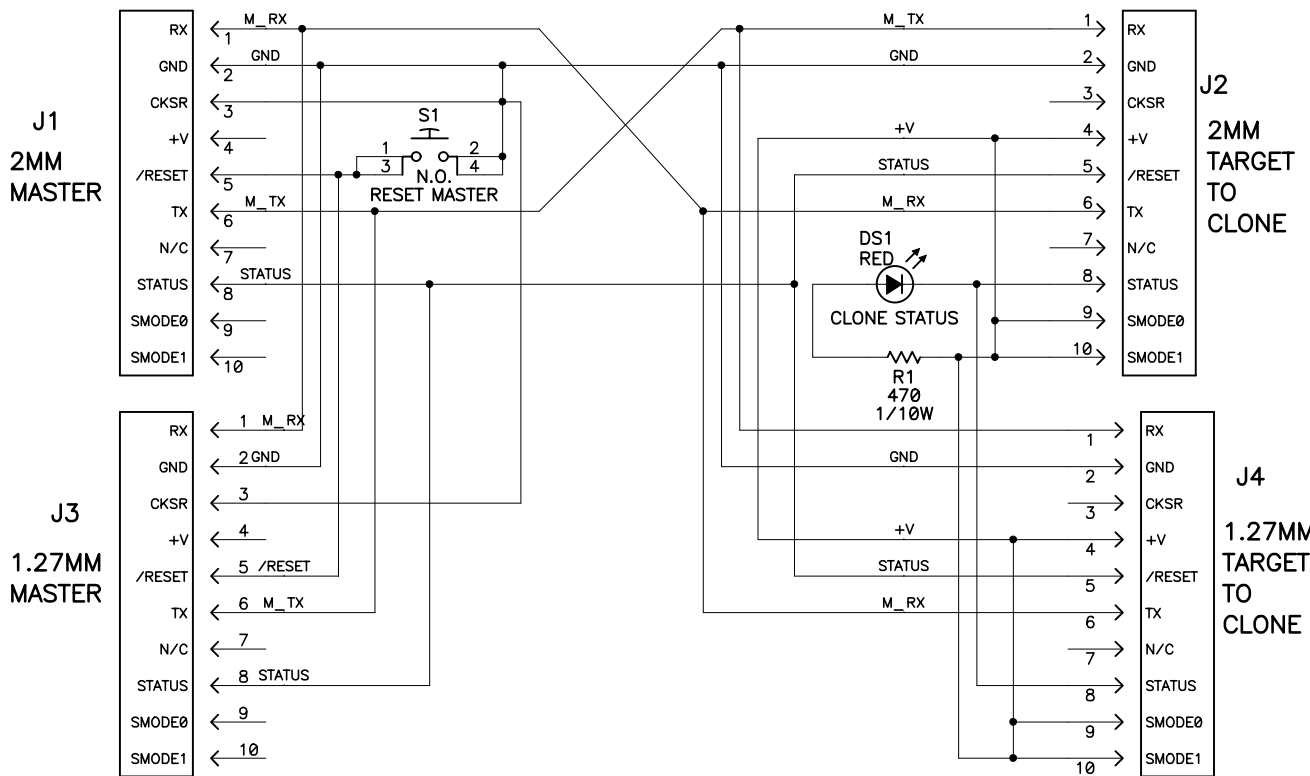



REVISION HISTORY			REVISION APPROVAL			
REV	ECO	DESCRIPTION	PROJECT ENGINEER	APPROVAL DATE	DOCUMENT CONTROL	APPROVAL DATE
A	E12135	INITIAL RELEASE	DM	12/6/02	KIS	12/5/02



Copyright 2002, Z-World, Inc.	APPEND THE FOLLOWING DOCUMENTS WHEN CHANGING THIS DOCUMENT:		DRAWING CONTENT:		TITLE SCHEMATIC DIAGRAM RABBIT CLONING CABLE BOARD 3V/5V 1.27/2MM		 2900 SPAFFORD ST. DAVIS, CA 95616 530 - 757 - 4616
			DRAWN BY: (INITIAL RELEASE) DARREN MUSGROVE	12NOV02			
			REVISED BY:				
	APPROVALS: INITIAL RELEASE						
			PROJECT ENGINEER: DARREN MUSGROVE	12/6/02			
			ENGINEERING MANAGER: R.MATTHEWS	12/9/02			
		SIGNATURES	DATE	SIZE A	DWG NO. 090-0167		
				SCALE NONE	RELEASE DATE	SHEET 1 OF 1	