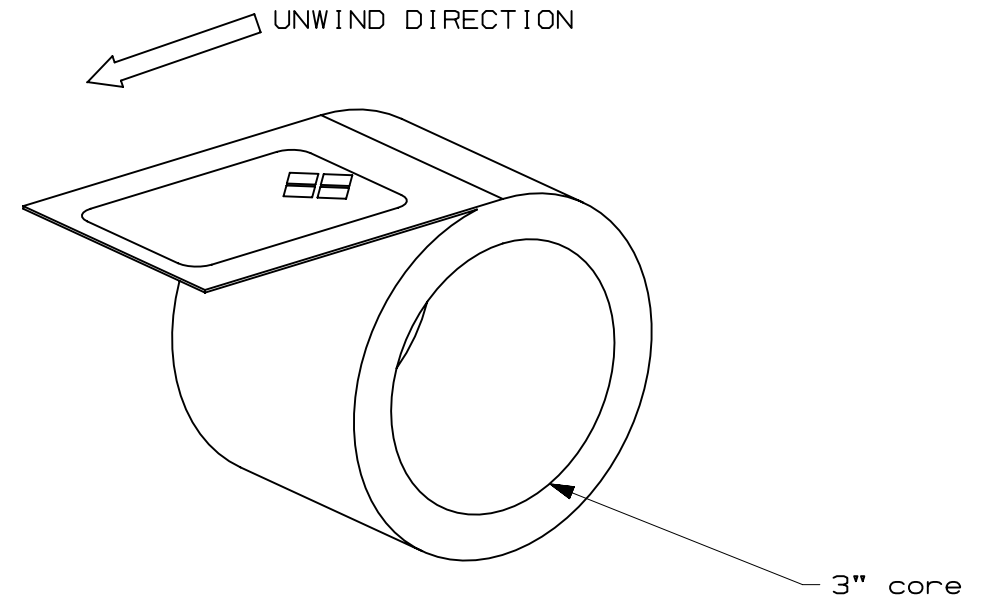
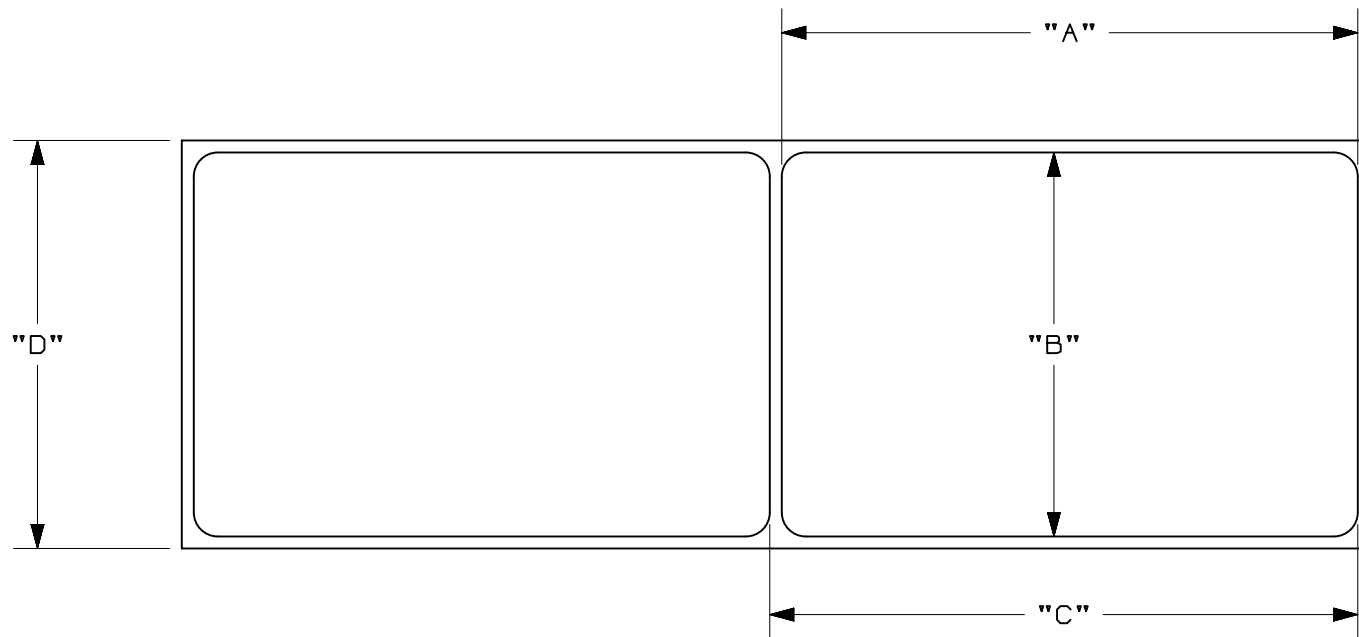


THIS COPY IS PROVIDED ON A RESTRICTED BASIS AND IS NOT TO BE USED IN ANY WAY DETRIMENTAL TO THE INTERESTS OF PANDUIT CORP.

PART NUMBER	DIM "A"	DIM "B"	REPEAT DIM "C"	DIM "D"	LEGEND
C400X200YPT-G1	4.00 [101.6]	2.00 [50.8]	4.13 [104.78]	2.25 [57.15]	1 DIAMOND
C400X200YPT-G2					2 DIAMONDS
C400X200YPT-G3					3 DIAMONDS
C400X200YPT-G4					4 DIAMONDS
C400X400YPT-G1	4.00 [101.6]	4.00 [101.6]	4.13 [104.78]	4.25 [107.95]	1 DIAMOND
C400X400YPT-G2					2 DIAMONDS
C400X400YPT-G3					3 DIAMONDS
C400X400YPT-G4					4 DIAMONDS
C400X600YPT-G1	6.00 [152.4]	4.00 [101.6]	6.13 [155.58]	4.25 [107.95]	1 DIAMOND
C400X600YPT-G2					2 DIAMONDS
C400X600YPT-G3					3 DIAMONDS
C400X600YPT-G4					4 DIAMONDS

NOTES:

- 1. [] DENOTE MILLIMETERS
- 2. VISIT WWW.PANDUIT.COM FOR LEGEND IMAGE
- 3. 250 LABELS PER ROLL



REV	DATE	BY	CHK	APR	DESCRIPTION	ECN	TITLE	GHS PRINT-ON DIAMOND LABELS		PANDUIT	MATERIAL: GMY4-HT	DRAWING NUMBER: C11080	SIZE B
00	10/1/13	JHAC	KLN	CLW	DRAWING RELEASE	GAECN0126	CUSTOMER DRAWING		12119GA/01				