

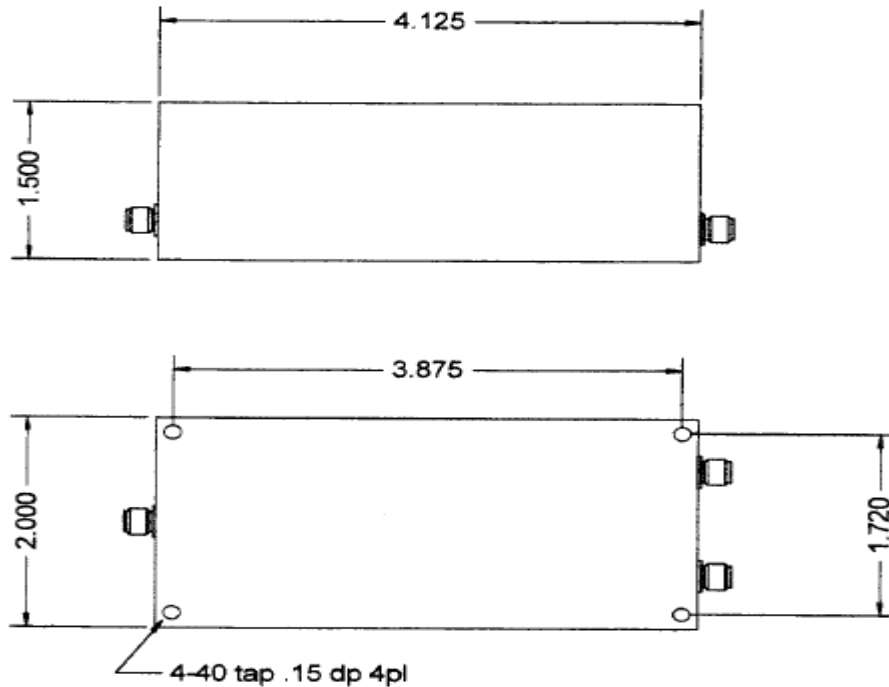


<u>Characteristics</u>	<u>Band 1</u>	<u>Band 2</u>
<b>Passband:</b>	1930-1945 MHz	1965-1980 MHz
<b>Bandwidth:</b>	15 MHz	15 MHz
<b>Passband Insertion Loss:</b>	≤ 1.0dB	≤ 1.0dB
<b>Passband Return Loss:</b>	≥ 18dB	≥ 18dB
<b>Input / Output Impedance:</b>	50 Ohms	50 Ohms
<b>Isolation:</b>	≥ 30 dB	≥ 30 dB

<u>Mechanical</u>	
<b>Connector Type:</b>	SMA (F)
<b>Dimensions:</b>	4.125x 2.0 x 1.5 inches.

<u>Environmental</u>	
<b>Operating Temperature:</b>	-40 to +70 deg.C
<b>Storage Temperature:</b>	-50 to +85 deg.C

**Outline Drawing:**





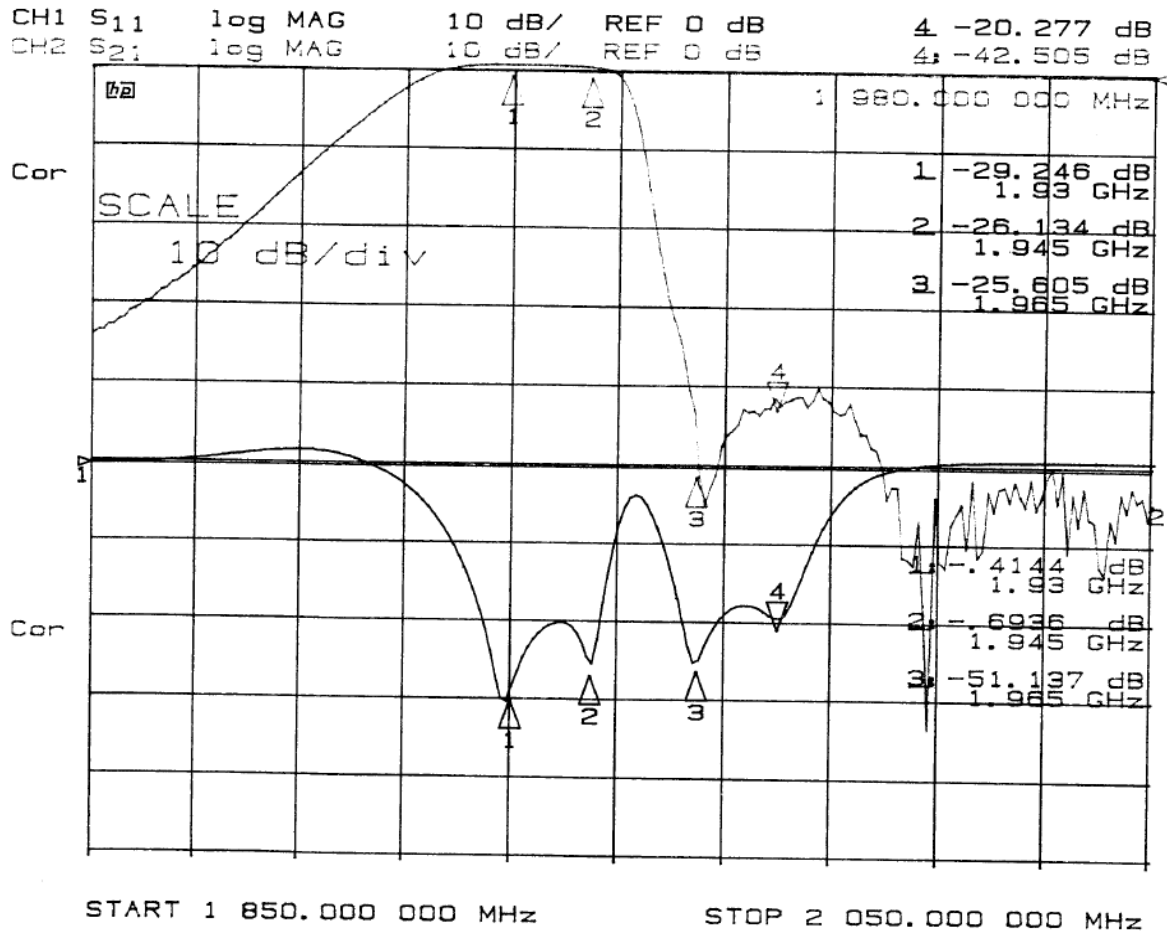
# 1930-1945 MHz / 1965-1980 MHz Cavity Duplexer



**ANATECH ELECTRONICS INC**  
RF & Microwave Filters & Products

**Part Number: AE1937-1972DB5145**

## Response Plot:





# 1930-1945 MHz / 1965-1980 MHz Cavity Duplexer



**ANATECH ELECTRONICS INC**  
RF & Microwave Filters & Products

**Part Number: AE1937-1972DB5145**

## Response Plot:

