

# L.652-X Adjustable T-Handles

Technopolymer



## MATERIAL

Glass-fibre reinforced polyamide based (PA) technopolymer, black colour, matte finish.

## CENTRE CAP

Technopolymer, black colour.

## STANDARD EXECUTIONS

Glass-fibre reinforced technopolymer clamping element with tothing and retaining pin, black colour. AISI 302 stainless steel return spring.

- **L.652-X-B**: brass boss, threaded blind hole.
  - **L.652-X-p**: zinc-plated steel threaded stud, chamfered flat end
- UNI 947 : ISO 4753 (see Technical data on page A-10).

## FEATURES AND APPLICATIONS

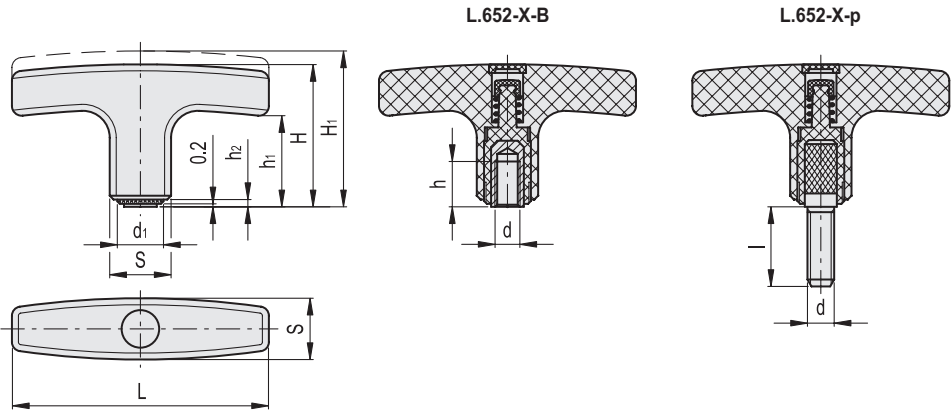
Particularly suitable when clamping operations are limited owing to lack of space and the hand of the operator cannot make a complete rotation.

## INSTRUCTIONS OF USE

For clamping, lift the handle to disengage the clamping device tothing and bring it back to start position. By releasing the handle, the return spring automatically engages the tothing.



ELESA Original design



Conversion Table	
1 mm = 0.039 inch	
H	
mm	inch
67	2.64
80	3.15

## L.652-X-B



Code	Description	L	døH	S	H	H1	d1	h	h1	h2	Teeth no.	⚖
32731	L.652-X/67 B-M5	67	M5	16	39	42	12	10	26	1	18	34
32733	L.652-X/67 B-M6	67	M6	16	39	42	12	10	26	1	18	32
32763	L.652-X/80 B-M6	80	M6	20	42	46	15	16	27	1	20	46
32765	L.652-X/80 B-M8	80	M8	20	42	46	15	13	27	1	20	44

## L.652-X-p

Code	Description	L	døg	S	H	H1	d1	h1	h2	l	Teeth no.	⚖
32741	L.652-X/67 p-M5x10	67	M5	16	39	42	12	26	1	10	18	23
32742	L.652-X/67 p-M5x16	67	M5	16	39	42	12	26	1	16	18	25
32752	L.652-X/67 p-M6x16	67	M6	16	39	42	12	26	1	16	18	27
32753	L.652-X/67 p-M6x25	67	M6	16	39	42	12	26	1	25	18	30
32771	L.652-X/80 p-M8x20	80	M8	20	42	46	15	27	1	20	20	43
32772	L.652-X/80 p-M8x25	80	M8	20	42	46	15	27	1	25	20	45
32782	L.652-X/80 p-M10x30	80	M10	20	42	46	15	27	1	30	20	51