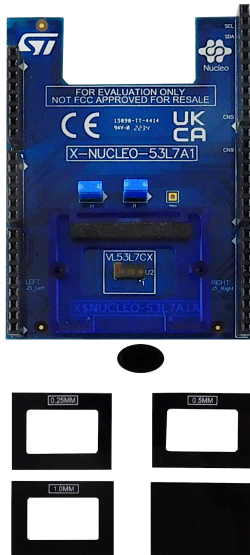


## Time-of-Flight 8x8 multizone ranging sensor with 90° FoV expansion board based on the VL53L7CX for STM32 Nucleo



### Features

- VL53L7CX Time-of-Flight 8x8 multizone ranging sensor with 90° FoV
- Accurate absolute ranging distance, independent of the reflectance of the target
- Up to 350 cm ranging
- Histogram-based technology
- Multiobject detection capability
- 0.25, 0.5, and 1 mm spacers to simulate air gaps
- One cover glass to protect the sensor from dust
- Compatible with STM32 Nucleo development boards
- Equipped with Arduino® UNO R3 connectors
- Full system software supplied, including code examples and graphical user interface
- RoHS, CE, UKCA, and China RoHS compliant

### Description

The X-NUCLEO-53L7A1 is an expansion board for any STM32 Nucleo board equipped with the Arduino® R3 connectors. It provides a complete evaluation kit that allows you to learn, evaluate, and develop applications using the VL53L7CX Time-of-Flight 8x8 multizone ranging sensor with 90° FoV.

The expansion board is delivered with a cover glass holder in which you can fit three different spacers of 0.25, 0.5, and 1 mm height below the cover glass to simulate various air gaps.

Several ST expansion boards can be stacked through the Arduino® connectors, which allow, for example, the development of VL53L7CX applications with Bluetooth® Low Energy or Wi-Fi interfaces.

Product summary	
Time-of-Flight 8x8 multizone ranging sensor with 90° FoV expansion board based on the VL53L7CX for STM32 Nucleo	X-NUCLEO-53L7A1
Time-of-Flight sensor software expansion for STM32Cube	X-CUBE-TOF1
STM32 Nucleo-64 development board with STM32F401RE MCU	NUCLEO-F401RE
Applications	Personal Electronics - Audio and Video/Gaming and Drones/Virtual - Augmented Reality/Wearable

## 1 Ordering information

**Table 1. Ordering information**

Order code	Core product
X-NUCLEO-53L7A1	VL53L7CX

## 2 Laser safety considerations

The VL53L7CX contains a laser emitter and the corresponding drive circuitry.

The laser output is designed to remain within Class 1 laser safety limits under all reasonable foreseeable conditions, including single faults, in compliance with the IEC 60825-1:2014 (third edition).

The laser output remains within Class 1 limits as long as you use the STMicroelectronics recommended device settings and respect the operating conditions specified in the data sheet.

The laser output power must not be increased and no optics should be used with the intention of focusing the laser beam.

**Figure 1. Class 1 laser product label**



### 3 Optional VL53L7CX breakout boards

The SATEL-VL53L7CX is designed to connect remotely the VL53L7CX sensor to any type of electronic controller.

**Attention:** *The VL53L7CX is delivered with a liner to prevent potential foreign material from piercing the module holes during the assembly process. Remove this liner before use.*

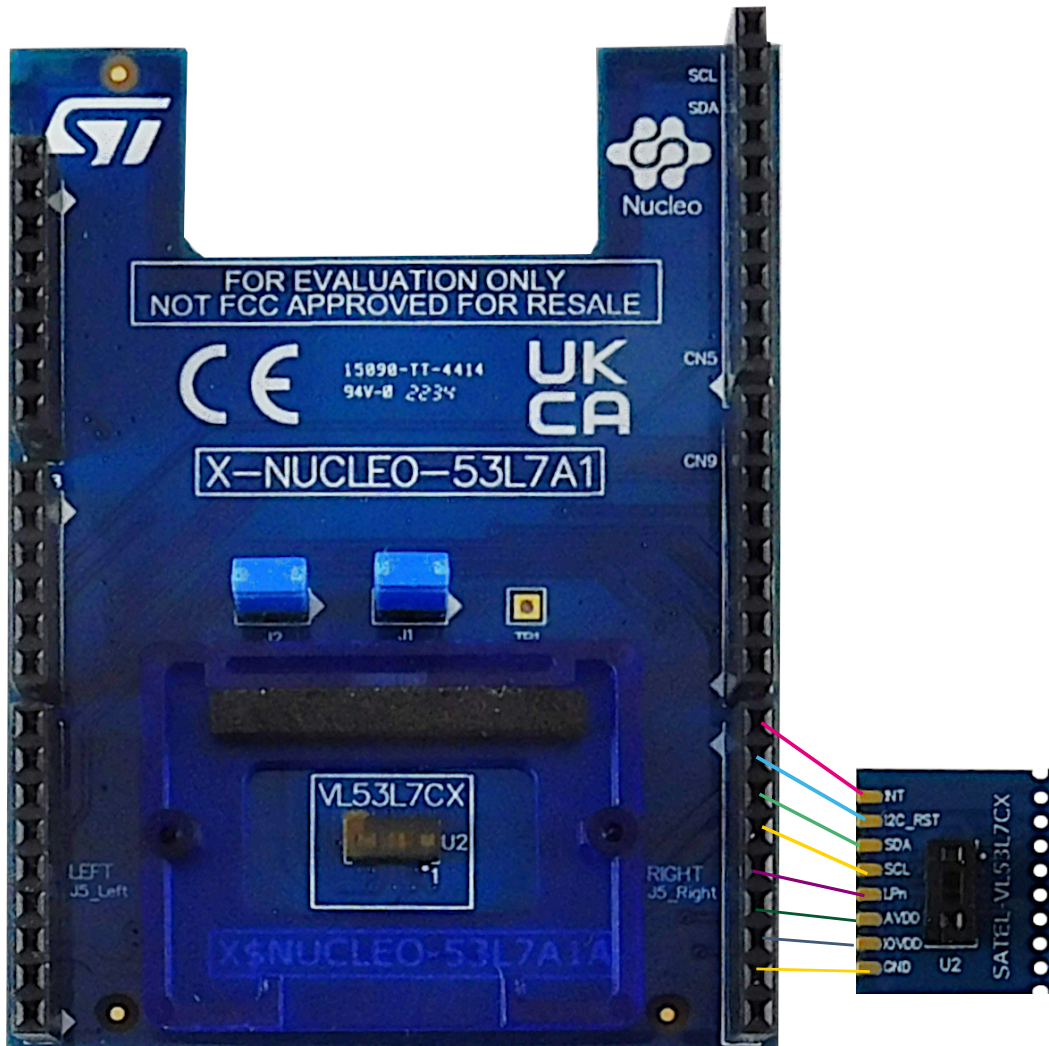
The VL53L7CX breakout boards can be directly plugged onto the X-NUCLEO-53L7A1 expansion board through two six-pin connectors (Figure 2) or through flying wires (Figure 3).

You can buy the breakout boards separately as SATEL-VL53L7CX. This order code package includes two breakout boards.

**Figure 2.** SATEL-VL53L7CX breakout boards connected to the X-NUCLEO-53L7A1 expansion board



Figure 3. VL53L7CX mini PCB flying wires connection to X-NUCLEO-53L7A1 expansion board



## 4 Simplified schematics

Figure 4. X-NUCLEO-VL53L7CX simplified schematic

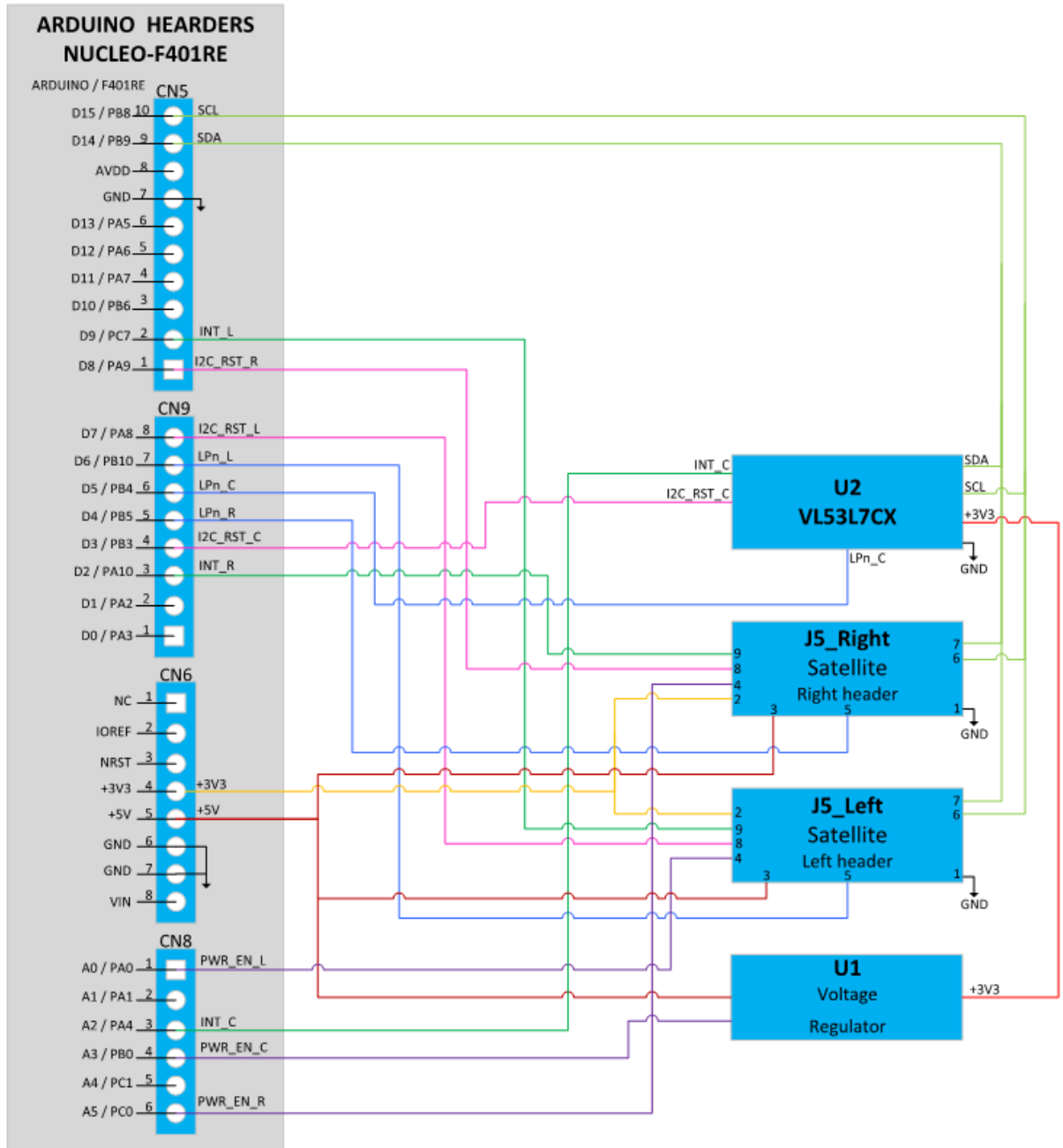
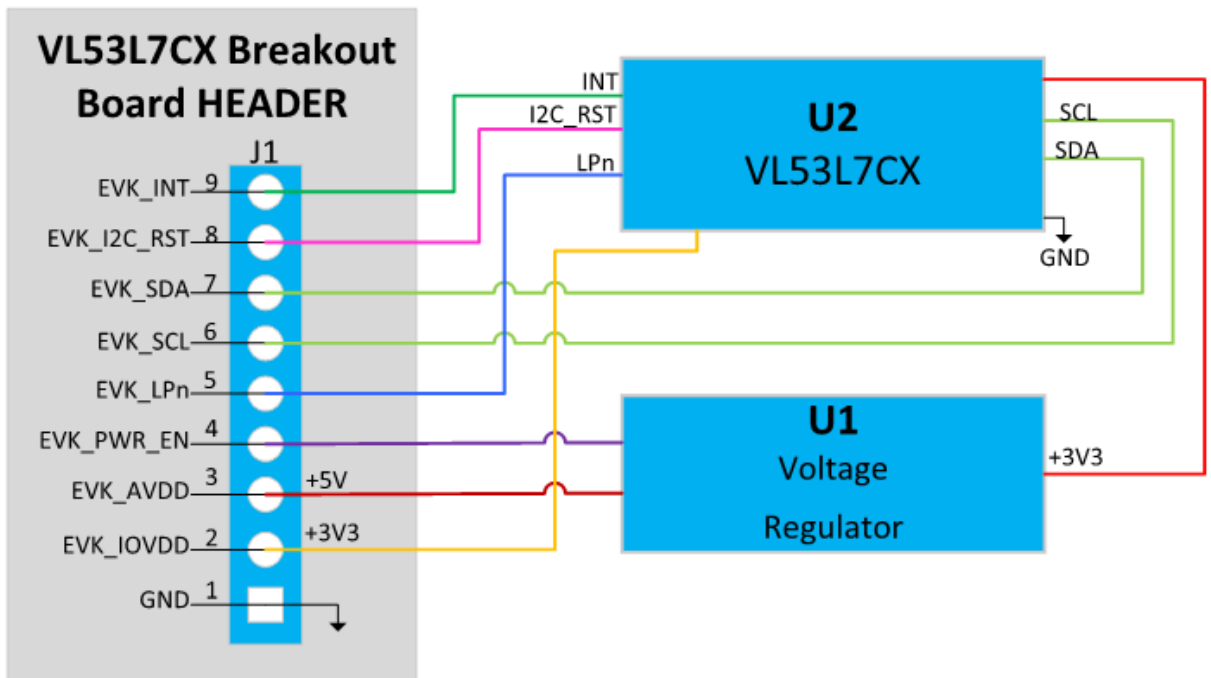


Figure 5. SATEL-VL53L7CX simplified schematic



## 5 Schematic diagrams

Figure 6. X-NUCLEO-53L7A1 circuit schematic (1 of 5)

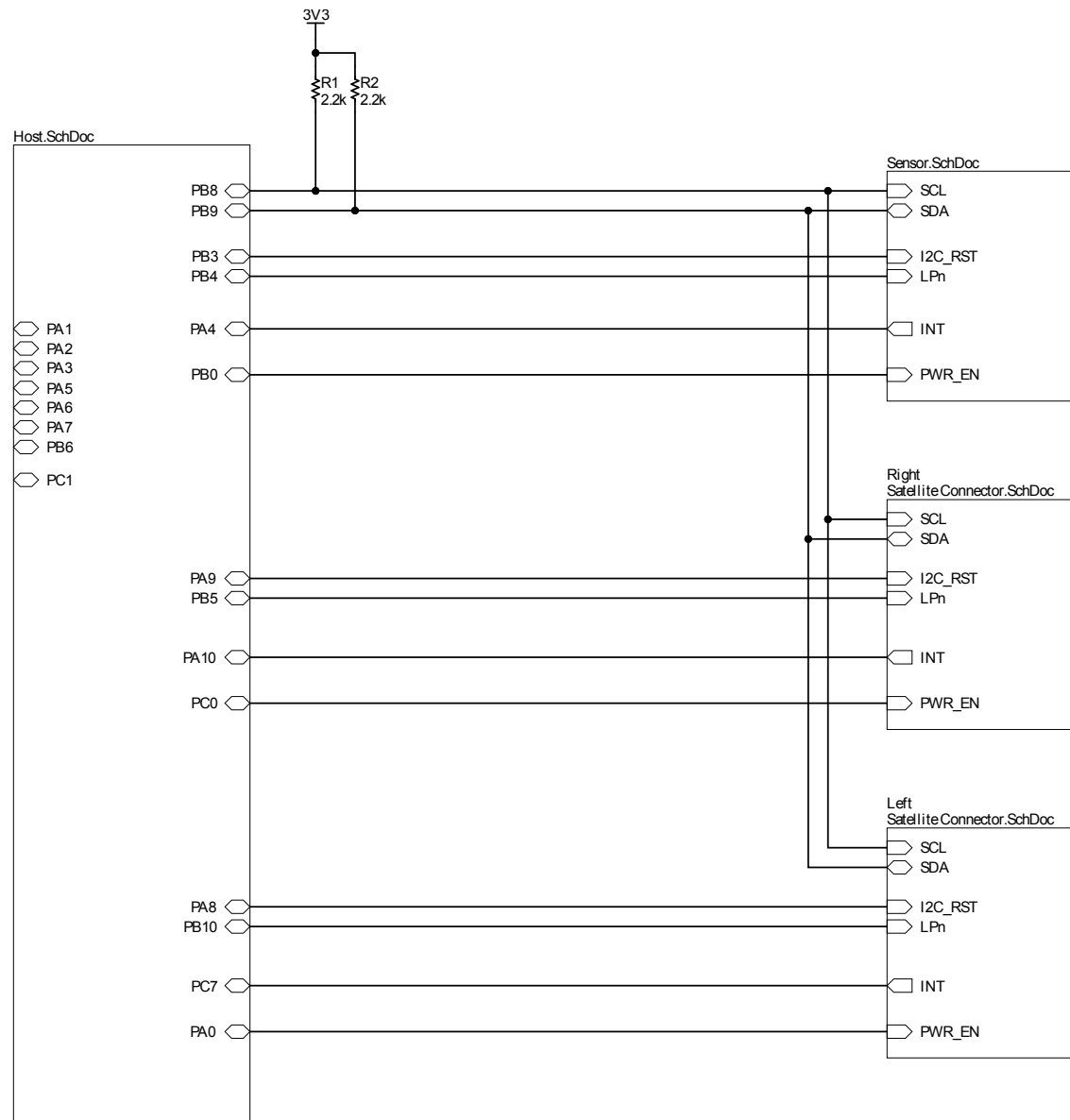




Figure 7. X-NUCLEO-53L7A1 circuit schematic (2 of 5)

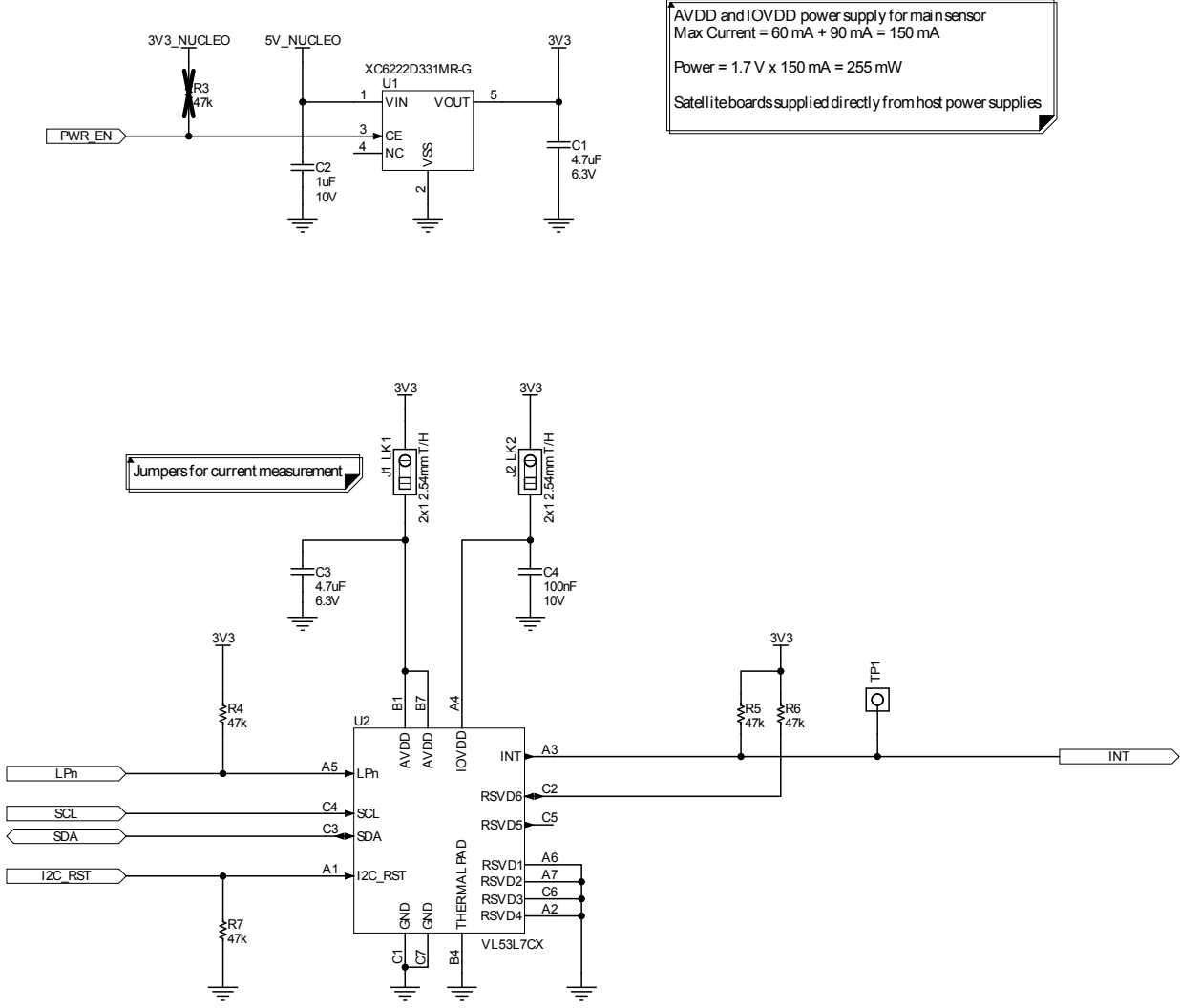
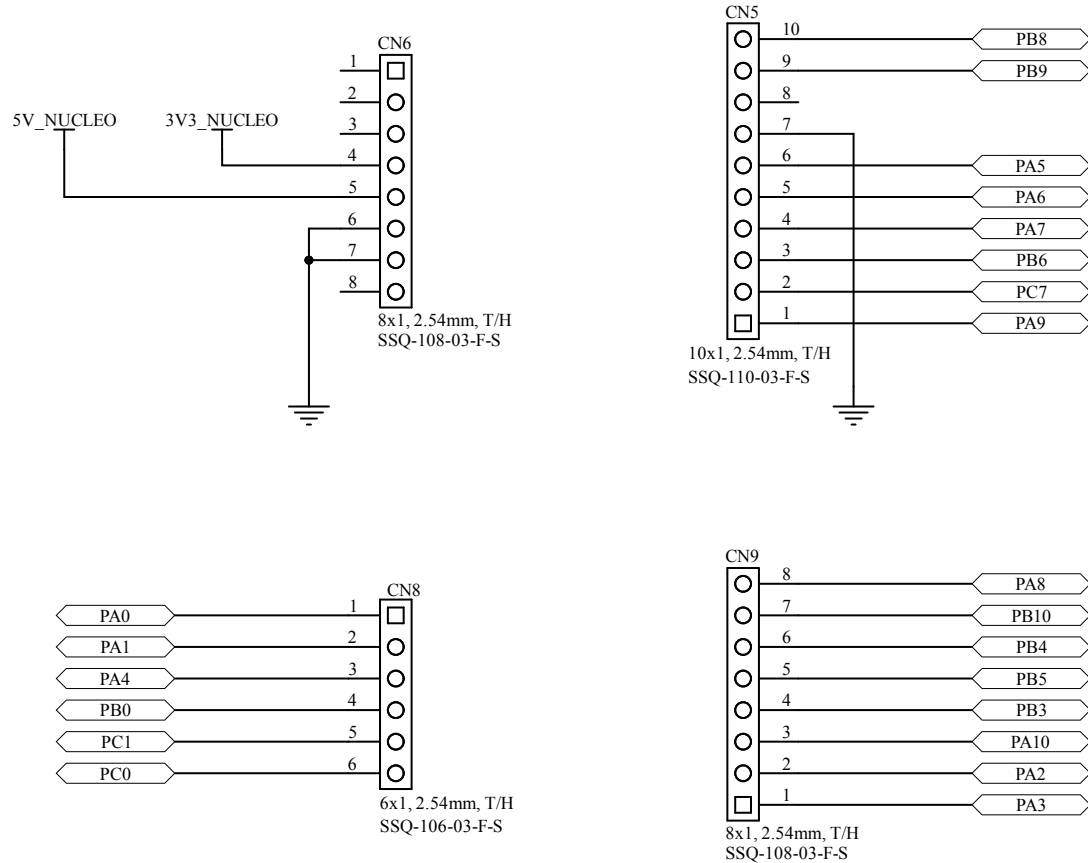
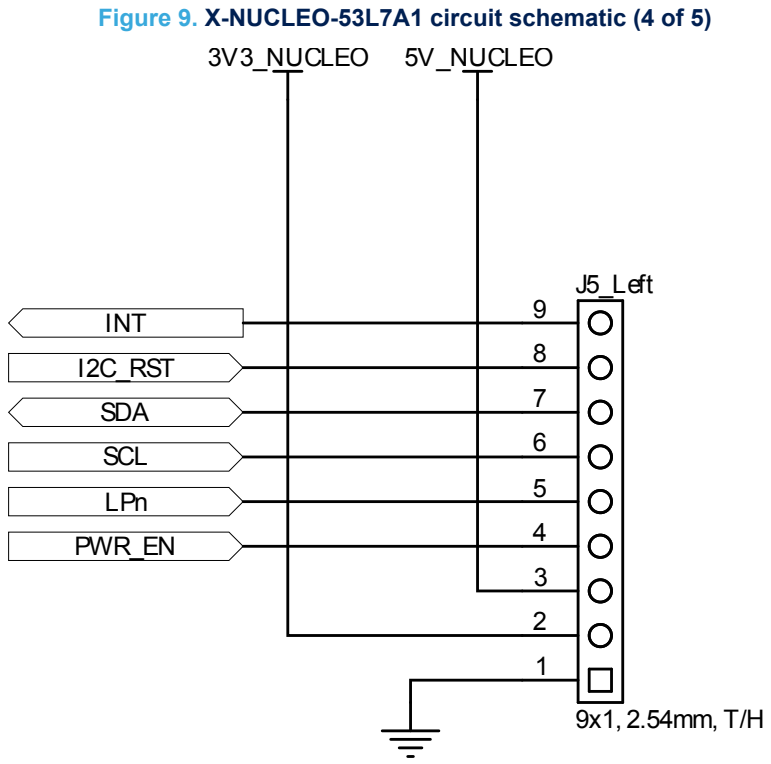
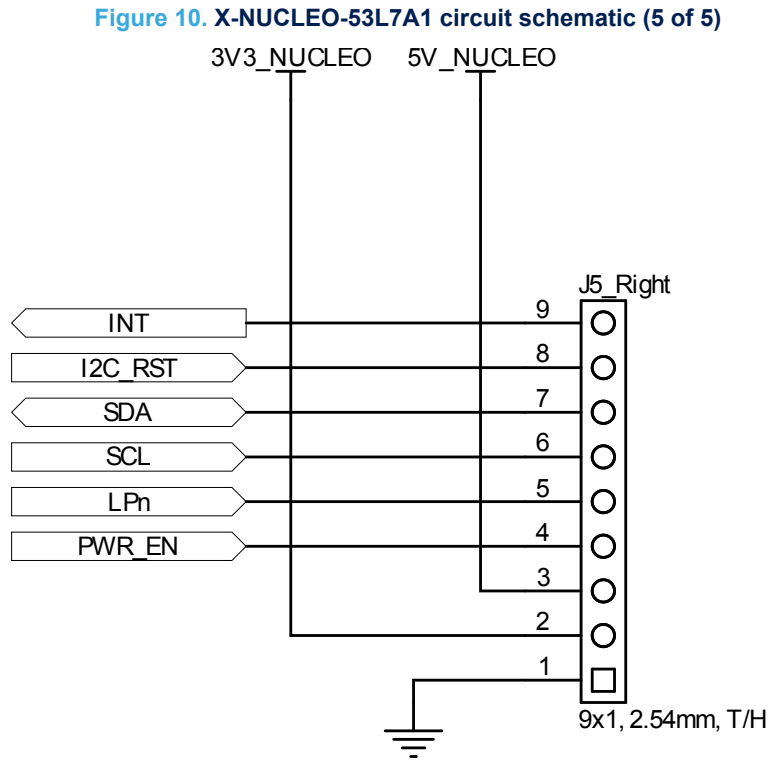


Figure 8. X-NUCLEO-53L7A1 circuit schematic (3 of 5)

### Nucleo Arduino Connectors







## 6 Board versions

**Table 2. X-NUCLEO-53L7A1 versions**

PCB version	Schematic diagrams	Bill of materials
X\$NUCLEO-53L7A1- <sup>(1)</sup>	X\$NUCLEO-53L7A1- schematic diagrams	X\$NUCLEO-53L7A1-bill of materials

1. This code identifies the X-NUCLEO-53L7A1 expansion board first version. It is printed on the board PCB.

## Revision history

**Table 3. Document revision history**

Date	Revision	Changes
26-Sep-2022	1	Initial release.

**IMPORTANT NOTICE – READ CAREFULLY**

STMicroelectronics NV and its subsidiaries (“ST”) reserve the right to make changes, corrections, enhancements, modifications, and improvements to ST products and/or to this document at any time without notice. Purchasers should obtain the latest relevant information on ST products before placing orders. ST products are sold pursuant to ST’s terms and conditions of sale in place at the time of order acknowledgment.

Purchasers are solely responsible for the choice, selection, and use of ST products and ST assumes no liability for application assistance or the design of purchasers’ products.

No license, express or implied, to any intellectual property right is granted by ST herein.

Resale of ST products with provisions different from the information set forth herein shall void any warranty granted by ST for such product.

ST and the ST logo are trademarks of ST. For additional information about ST trademarks, refer to [www.st.com/trademarks](http://www.st.com/trademarks). All other product or service names are the property of their respective owners.

Information in this document supersedes and replaces information previously supplied in any prior versions of this document.

© 2022 STMicroelectronics – All rights reserved