

TOROIDAL CHOKE

HCMB1111-200

- Solid base for stable mounting
- Fixed pins for easy PCB insertion
- Max Operating Temperature: +110°C
- Wave solder condition: Max temperature 260°C ±3°C / 5-6 sec

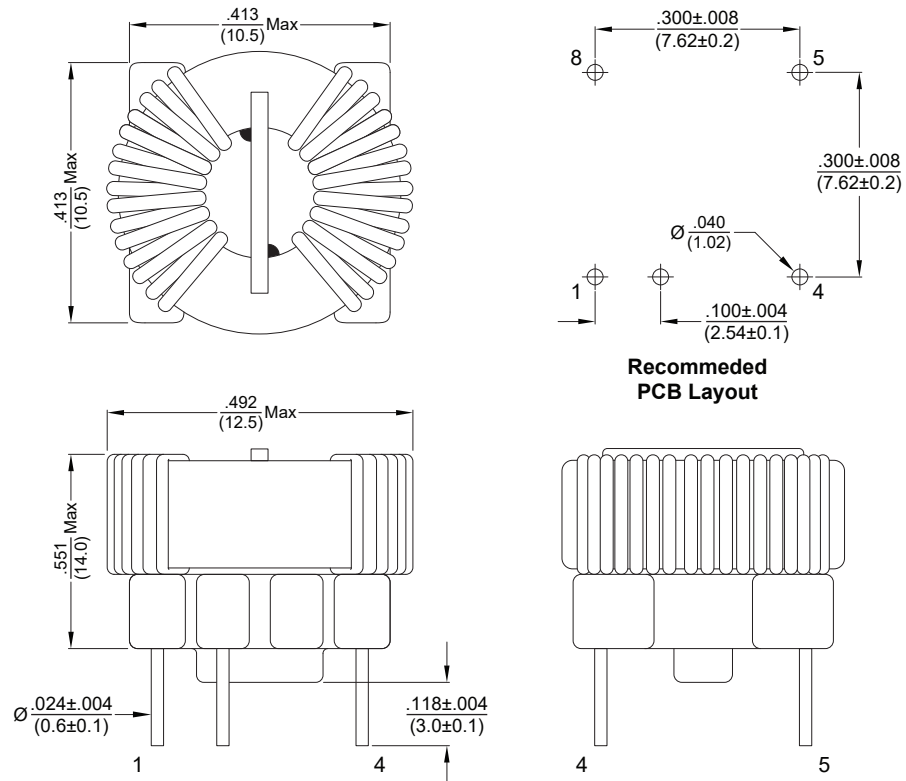


Electrical Specifications @25°C					
Inductance @ 1KHz (1 - 8) = (4 - 5)	DCR (mΩ) Max	Rated Current (mA) Max	HiPot 1mA / 60 Sec Wdg - Wdg	Insulation Resistance @ 500Vdc Wdg - Wdg	Common Mode Peak Impedance @ 97MHz
20μH Min	65.0	500	1500VAC	100MΩ Min	3.0KOhms

All specifications subject to change without notice.

MECHANICAL

Dimensions: $\frac{\text{inch}}{\text{(mm)}}$



SCHEMATICS

