

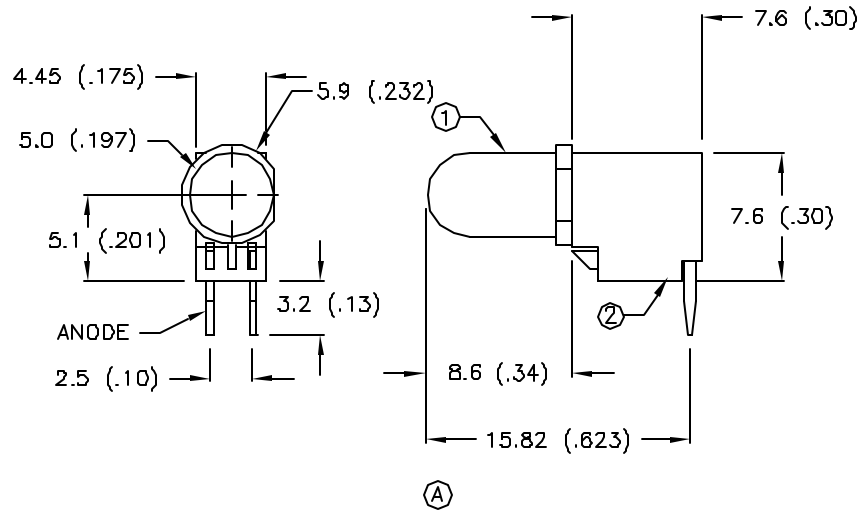
| | | |
|--------|------------------------------------|-----|
| DATE | REVISIONS | REV |
| 7-5-95 | UPDATED SPECS. & DIM WHERE NOTED./ | A |

| | |
|----------------|-----|
| DRAWING NUMBER | REV |
| SSF-LXH4RA5BID | A |

UNCONTROLLED DOCUMENT

ELECTRO-OPTICAL CHARACTERISTICS TA=25 °C If=20mA

| PARAMETER | MIN | TYP | MAX | UNITS | TEST COND |
|--------------------|-----|--------------|-----|----------------|----------------------|
| PEAK WAVELENGTH | | 635 (RED) | | nm | |
| FORWARD VOLTAGE | | 3.5 | 13 | V _f | |
| AXIAL INTENSITY | | 20 | | mcd | V _f =9.0 |
| BLINKING FREQUENCY | | 1.5 | | Hz | V _f =13.0 |
| | | 2.5 | | Hz | V _f =3.5 |
| VIEWING ANGLE | | 60 | | 2x theta | |
| EMITTED COLOR: | | RED | | | |
| EPOXY LENS FINISH: | | RED DIFFUSED | | | |



NOTES:

1. SSL-LX5093BID LED.
2. IFS-LX4FRA-1 LAMP SOCKET.
3. CUT LED LEADS 5mm LONG.
4. ASSEMBLE IN SOCKET, POLARITY AS SHOWN.

LIMITS OF SAFE OPERATION AT 25 DEG. C

| PARAMETER | MAX | UNITS |
|--------------------------|------------|------------|
| FORWARD CURRENT | 70 | mA |
| FORWARD VOLTAGE | 13 | V |
| POWER DISSIPATION | 200 | mW |
| OPERATING, STORAGE TEMP. | -40 TO +85 | °C |
| LEAD SOLDERING TEMP. | +260 | °C |
| 2.0mm FROM BODY | | 3 SEC. MAX |

| | | | |
|--|----------------------------------|--|----------|
| LUMEX OPTO COMPONENTS INC. | | 292 E. HELLEN ROAD PALATINE, ILLINOIS 60067 (708) 359-2790 | |
| DATE: 8-23-93 | APPROVED BY: | DRAWN BY: | |
| SCALE: DO NOT SCALE | | | |
| T-1 3/4 LAMP, BLINKING RED FAULT INDICATOR | | | |
| PAGE 1 OF 1 | DRAWING NUMBER SSF-LXH4RA5BID | | REV A |

UNCONTROLLED DOCUMENT

FXH4RA5B