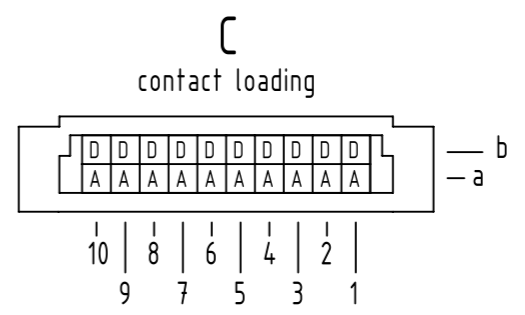
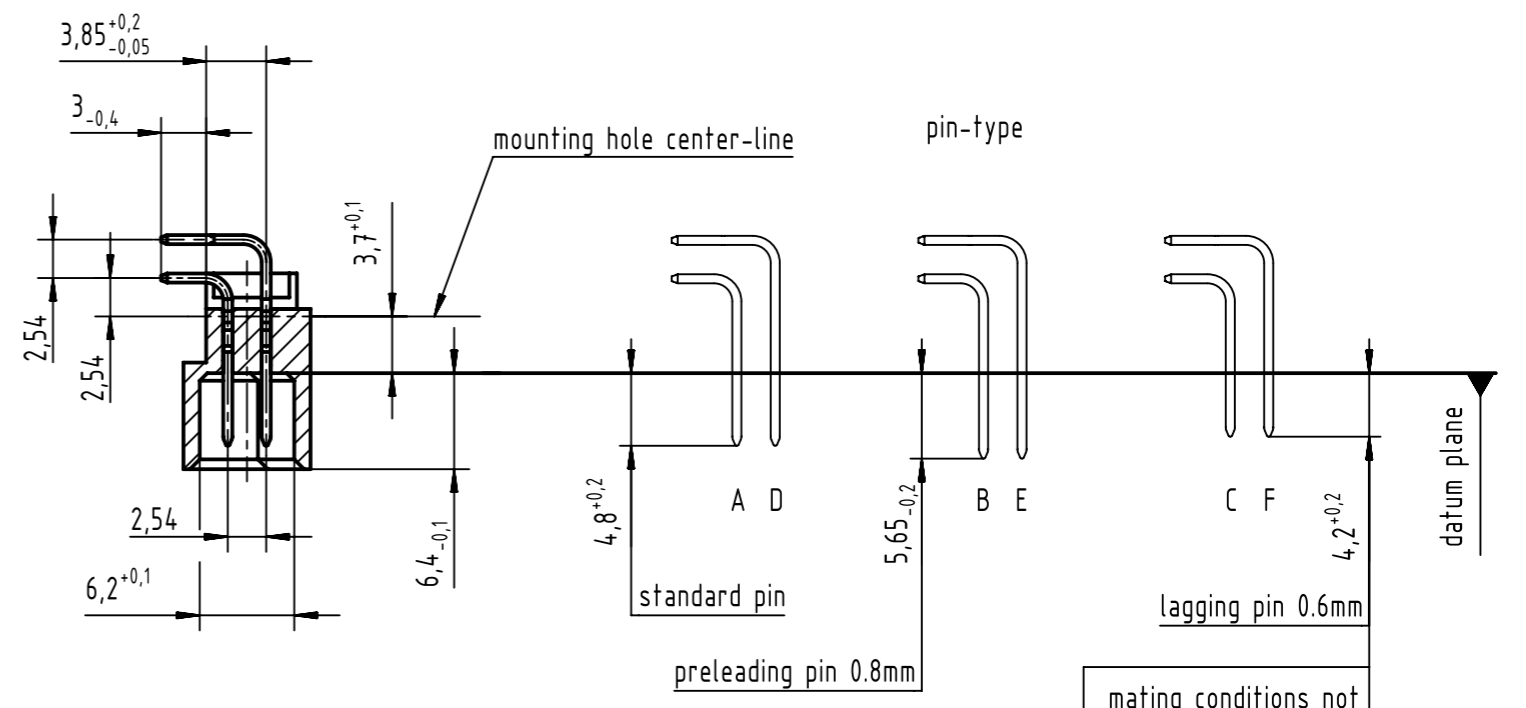
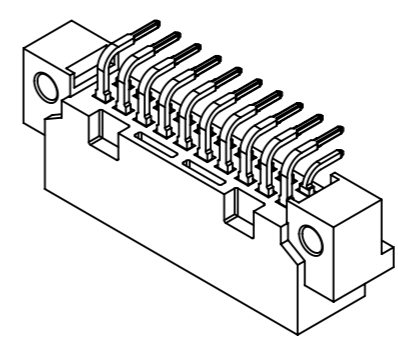


**A-A (2:1)**



mating conditions not acc. to IEC 60603-2



09 24 120 6919	2
part no.	performance level 1

1 further information see: DS 09031230201

<p>All rights reserved Department EC PD - DE</p> <p>HARTING Electronics GmbH D-32339 Espelkamp</p>	<p>All Dimensions in mm Original Size DIN A3</p>	<p>Scale 1:1</p>	<p>Free size tol. IEC 60603-2</p>	<p>Ref. Sub. TB 09 24 120 x919 / 35604 / 25.06.2009</p>
	<p>Created by HAGEMEYERE</p>	<p>Inspected by LEHNERT</p>	<p>Standardisation HOFFMANN</p>	<p>Date 2015-07-17</p>
<p>Title DIN Signal type 3B male solder 20-pole SMC</p>				<p>Doc-Key / ECM-Nr. 100172736/UGD/006/B 50000090077</p>
<p>Type TB</p>		<p>Number 0924120X919</p>		<p>Rev. B</p>
				<p>Page 1/1</p>