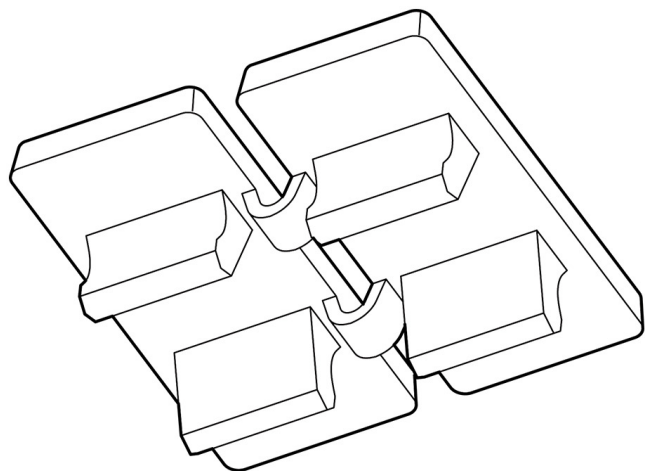


28264.7 PC-CPM-12 4,2X6/56 WH



Terminal marker, Length: 6 mm, Width: 4.2 mm, Colour: White

RAL: 9010

Business data

Article number	<u>28264.7</u>
Article name	PC-CPM-12 4,2X6/56 WH
GTIN (EAN)	4044211211813
For manufacturer type	Wago Top job, ABB, Cabur, Weimüller, Connectwell, Morsettitalia, Beckhoff I/O
Packaging unit	1960
Quantity unit	PC
Number of markers per card	56 ST
Weight per piece (not including packaging)	0.16 g
Weight per piece (including packaging)	0.16 g
Unit of weight	G
Customs number	39269097
Country of origin	IT
Product description	Terminal marker
Colour	White

28264.7 PC-CPM-12 4,2X6/56 WH

Technical data

Dimensions

Length	6 mm
Width	4.2 mm

Materials

Marker material	Polycarbonate
Flammability class UL 94	V-0
Working temperature, min.	-40 °C
Working temperature, max.	130 °C
Halogen-free	✓
Silicone-free	✓

Further technical data

Mounting	Joined together
Software code	111

Environmental Product Compliance

REACH Conform	yes
REACH Reference date	2022-06-10
REACH Candidate Substance Note	No
RoHS Conform	yes

Media

28264.7 PC-CPM-12 4,2X6/56 WH

Accessories

Printer



Thermal transfer printer TTPCard including a power cord, USB cable, dust cover, black thermal transfer film (28010.4), three inlays: CCI-PC-SB 5x5 (28020.0), CCI-PC-CPM-10/BSTR (28027.0), CCI-PC/PVC/PVCF (28041.0), CONTASign PRO software in 16 languages (German, English, French, Italian, Dutch, Spanish, Portuguese, Czech, Polish, Bulgarian, Romanian, Slovenian, Turkish, Chinese, Japanese, Russian) for Windows versions 7, 8, 10. (available for download)

Article number	Article name	GTIN (EAN)	Packaging unit
<u>28000.0</u>	TTPCard Set	4044211207397	1 ST

Inlays

Printer inlay

Article number	Article name	GTIN (EAN)	Packaging unit
<u>28024.0</u>	CCI-PC-CPM-05/12	4044211207922	1 ST
