

Product Document

TMD2672

Digital Proximity Detector

General Description

The TMD2672 family of devices provides a complete proximity detection system and digital interface logic in a single 8-pin surface mount module. The devices are register-set and pin-compatible with the TMD2671 series and includes new and improved proximity detection features. The proximity detection includes improved signal-to-noise and accuracy. A proximity offset register allows compensation for optical system crosstalk between the IR LED and the sensor. To prevent false proximity data measurement readings, a proximity saturation indicator bit signals that the internal analog circuitry has reached saturation. Interrupts have been enhanced with the addition of a sleep-on-interrupt feature that also allows for a single cycle operation. The device internal state machine provides the ability to put the device in a low-power mode in between proximity measurements, providing very low average power consumption.

The proximity detection system includes an LED driver and an IR LED, which are factory trimmed to eliminate the need for end-equipment calibration due to component variations.

[Ordering Information](#) and [Content Guide](#) appear at end of datasheet.

Key Benefits & Features

The benefits and features of the TMD2672 digital proximity detector, are listed below:

Figure 1:
Added Value of Using TMD2672

Benefits	Features
<ul style="list-style-type: none"> Eliminates need for customer end-product calibration. Reduces the proximity noise Control of system crosstalk and offset Prevents false proximity detection in bright light Selectable IR power-level without external resistor Enables wide operating range 	<ul style="list-style-type: none"> Digital Proximity Detector, LED Driver, and IR LED in a Single Optical Module
	<ul style="list-style-type: none"> Register Set- and Pin-Compatible with the TMD2671 Series
	<ul style="list-style-type: none"> Proximity Detection <ul style="list-style-type: none"> Reduced Proximity Count Variation ⁽¹⁾ Programmable Offset Control Register ⁽¹⁾ Saturation Indicator ⁽¹⁾ Programmable Integration Time and Offset Current Sink Driver for IR LED 16,000:1 Dynamic Range
<ul style="list-style-type: none"> Reduces external processor burden 	<ul style="list-style-type: none"> Maskable Proximity Interrupt <ul style="list-style-type: none"> Programmable Upper and Lower Thresholds with Persistence Filter
<ul style="list-style-type: none"> Enables dynamic power dissipation control 	<ul style="list-style-type: none"> Power Management <ul style="list-style-type: none"> Low Power 2.2µA Sleep State with User-Selectable Sleep-After-Interrupt Mode ⁽¹⁾ 90µA Wait State with Programmable Wait Time from 2.7ms to > 8 seconds
<ul style="list-style-type: none"> Industry standard two-wire interface 	<ul style="list-style-type: none"> I²C Fast Mode Compatible Interface <ul style="list-style-type: none"> Data Rates up to 400kbit/s Input Voltage Levels Compatible with V_{DD} or 1.8V Bus
<ul style="list-style-type: none"> Small foot-print module 	<ul style="list-style-type: none"> 3.94mm × 2.36mm × 1.35mm Package

Note(s) and/or Footnote(s):

1. New or improved feature

Applications

- Mobile Handset Touchscreen Control and Automatic Speakerphone Enable
- Mechanical Switch Replacement
- Paper Alignment

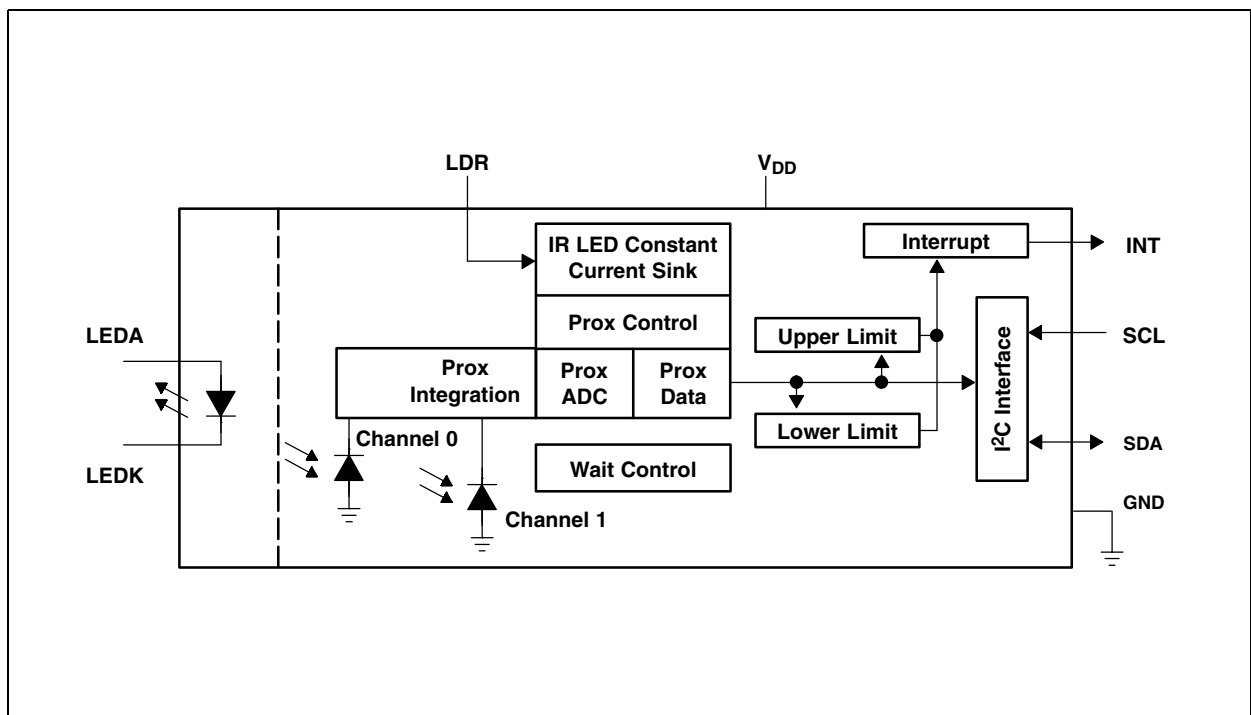
End Products and Market Segments

- Mobile Handsets, Tablets, Laptops and HDTVs
- White Goods
- Toys
- Digital Signage
- Printing

Block Diagram

The functional blocks of this device for reference are shown below:

Figure 2:
TMD2672 Block Diagram



Detailed Description

A fully integrated proximity detection solution is provided with an 850nm IR LED, LED driver circuit, and proximity detection engine. An internal LED driver (LDR) pin, is externally connected to the LED cathode (LEDK) to provide a controlled LED sink current. This is accomplished with a proprietary current calibration technique that accounts for all variances in silicon, optics, package, and most important, IR LED output power. This eliminates or greatly reduces the need for factory calibration that is required for most discrete proximity sensor solutions. The device is factory calibrated to achieve a proximity count reading at a specified distance with a specific number of pulses. In use, the number of proximity LED pulses can be programmed from 1 to 255 pulses, which allows different proximity distances to be achieved. Each pulse has a 16 μ s period, with a 7.2 μ s on time.

The device provides a separate pin for level-style interrupts. When interrupts are enabled and a pre-set value is exceeded, the interrupt pin is asserted and remains asserted until cleared by the controlling firmware. The interrupt feature simplifies and improves system efficiency by eliminating the need to poll a sensor for a proximity value. An interrupt is generated when the value of a proximity conversion exceeds either an upper or lower threshold. In addition, a programmable interrupt persistence feature allows the user to determine how many consecutive exceeded thresholds are necessary to trigger an interrupt.

Pin Assignments

The TMD2672 pin assignments are described below:

Figure 3:
Pin Diagram (Top View)

Package Module-8:
Package drawing is not to scale

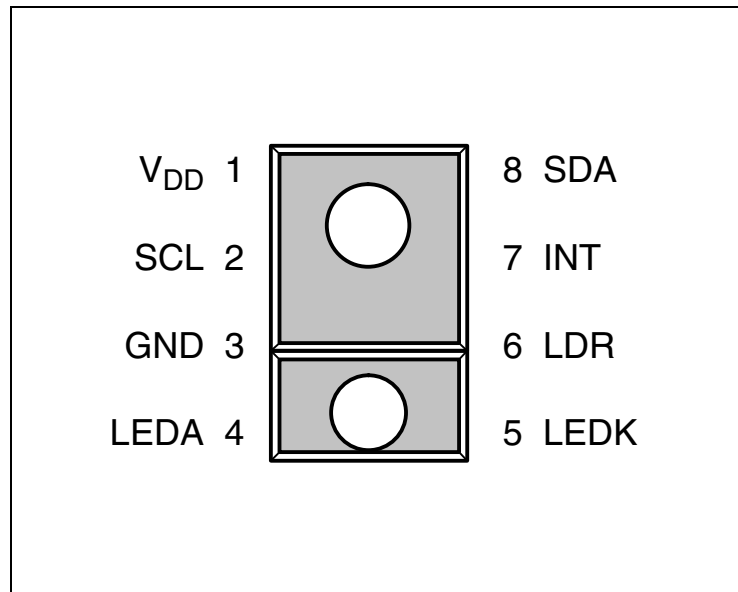


Figure 4:
Terminal Functions

Terminal		Type	Description
Name	No.		
V _{DD}	1		Supply voltage
SCL	2	I	I ² C serial clock input terminal - clock signal for I ² C serial data
GND	3		Power supply ground. All voltages are referenced to GND.
LEDA	4		LED anode
LEDK	5		LED cathode. Connect to LDR pin when using internal LED driver circuit.
LDR	6	O	LED driver input for proximity IR LED, constant current source LED driver
INT	7	O	Interrupt - open drain (active low)
SDA	8	I/O	I ² C serial data I/O terminal - serial data I/O for I ² C

Absolute Maximum Ratings

Stresses beyond those listed under [Absolute Maximum Ratings](#) may cause permanent damage to the device. These are stress ratings only. Functional operation of the device at these or any other conditions beyond those indicated under [Recommended Operating Conditions](#) is not implied. Exposure to absolute maximum rating conditions for extended periods may affect device reliability.

Figure 5:
Absolute Maximum Ratings over Operating Free-Air Temperature Range (unless otherwise noted)

Symbol	Parameter	Min	Max	Unit
V_{DD}	Supply voltage ⁽¹⁾		3.8	V
	Input terminal voltage	-0.5	3.8	V
	Output terminal voltage (except LDR)	-0.5	3.8	V
	Output terminal voltage (LDR)		3.8	V
	Output terminal current (except LDR)	-1	20	mA
T_{stg}	Storage temperature range	-40	85	°C
	ESD tolerance, human body model	±2000		V

Note(s) and/or Footnote(s):

1. All voltages are with respect to GND.

Electrical Characteristics

All limits are guaranteed. The parameters with min and max values are guaranteed with production tests or SQC (Statistical Quality Control) methods.

Figure 6:
Recommended Operating Conditions

Symbol	Parameter	Min	Nom	Max	Unit
V_{DD}	Supply voltage	2.6	3	3.6	V
	Supply voltage accuracy, V_{DD} total error including transients	-3		3	%
T_A	Operating free-air temperature range ⁽¹⁾	-30		85	°C

Note(s) and/or Footnote(s):

1. While the device is operational across the temperature range, functionality will vary with temperature. Specifications are stated only at 25°C unless otherwise noted.

Figure 7:
Operating Characteristics, $V_{DD} = 3V$, $T_A = 25^\circ C$ (unless otherwise noted)

Symbol	Parameter	Test Conditions	Min	Typ	Max	Unit
I_{DD}	Supply current	Active - LDR pulse off		195	250	μA
		Wait state		90		
		Sleep state - no I ² C activity		2.2	4	
V_{OL}	INT, SDA output low voltage	3mA sink current	0		0.4	V
		6mA sink current	0		0.6	
I_{LEAK}	Leakage current, SDA, SCL, INT pins		-5		5	μA
I_{LEAK}	Leakage current, LDR pin		-5		5	μA
V_{IH}	SCL, SDA input high voltage	TMD26721	$0.7 V_{DD}$			V
		TMD26723	1.25			
V_{IL}	SCL, SDA input low voltage	TMD26721			$0.3 V_{DD}$	V
		TMD26723			0.54	

Figure 8:
 Proximity Characteristics, $V_{DD} = V_{LEDA} = 3V$, $T_A = 25^\circ C$, $PEN = 1$ (unless otherwise noted)

Symbol	Parameter	Test Conditions	Min	Typ	Max	Unit
I_{DD}	Supply current	LED On		3		mA
I_{LEDA}	LEDA current ⁽¹⁾	LED On, PDRIVE = 0		100		mA
		LED On, PDRIVE = 1		50		
		LED On, PDRIVE = 2		25		
		LED On, PDRIVE = 3		12.5		
PTIME	ADC conversion steps		1		256	steps
PTIME	ADC conversion time	PTIME = 0xFF (= 1 conversion step)	2.58	2.73	2.9	ms
PTIME	ADC counts per step	PTIME = 0xFF (= 1 conversion step)	0		1023	counts
PPULSE	LED pulses ⁽⁵⁾		0		255	pulses
LED On	LED pulse width	PPULSE = 1, PDRIVE = 0		7.3		μs
	LED pulse period	PPULSE = 2, PDRIVE = 0		16.0		μs
	Proximity response, no target (offset)	PPULSE = 8, PDRIVE = 0, PGAIN = 4x ⁽²⁾		100		counts
	Prox count, 100mm target ⁽³⁾	73mm x 83mm, 90% reflective Kodak Gray Card, PGAIN = 4x, PPULSE = 8, PDRIVE = 0, PTIME = 0xFF ⁽⁴⁾	450	520	590	counts

Note(s) and/or Footnote(s):

- Value is factory-adjusted to meet the Prox count specification. Considerable variation (relative to the typical value) is possible after adjustment.
- Proximity offset varies with power supply characteristics and noise.
- I_{LEDA} is factory calibrated to achieve this specification. Offset and crosstalk directly sum with this value and is system dependent.
- No glass or aperture above the module. Tested value is the average of 5 consecutive readings.
- These parameters are ensured by design and characterization and are not 100% tested.
- Proximity test was done using the following circuit. See "Application Information: Hardware" on page 31. section for recommended application circuit.

Figure 9:
Proximity Test Circuit

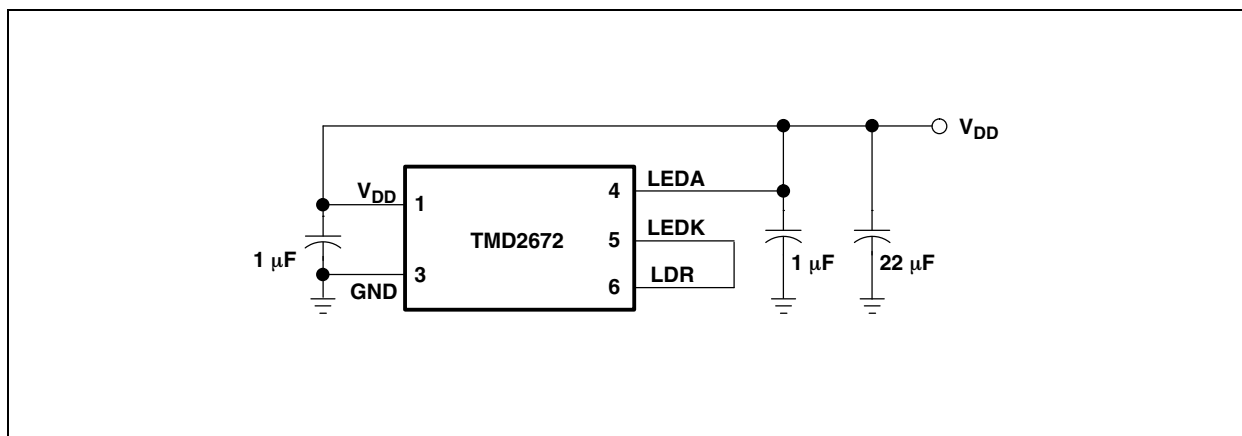


Figure 10:
IR LED Characteristics, $V_{DD} = 3V$, $T_A = 25^\circ C$

Symbol	Parameter	Test Conditions	Min	Typ	Max	Unit
V_F	Forward Voltage	$I_F = 20mA$		1.4	1.5	V
V_R	Reverse Voltage	$I_R = 10\mu A$	5			V
P_O	Radiant Power	$I_F = 20mA$	4.5			mW
λ_p	Peak Wavelength	$I_F = 20mA$		850		nm
$\Delta\lambda$	Spectral Radiation Bandwidth	$I_F = 20mA$		40		nm
T_R	Optical Rise Time	$I_F = 100mA$, $T_W = 125ns$, duty cycle = 25%		20	40	ns
T_F	Optical Fall Time	$I_F = 100mA$, $T_W = 125ns$, duty cycle = 25%		20	40	ns

Figure 11:
Wait Characteristics, $V_{DD} = 3V$, $T_A = 25^\circ C$, WEN = 1 (unless otherwise noted)

Parameter	Test Conditions	Min	Typ	Max	Unit
Wait time	WTIME = 0xFF (= 1 wait step)		2.73	2.9	ms
Wait steps		1		256	steps

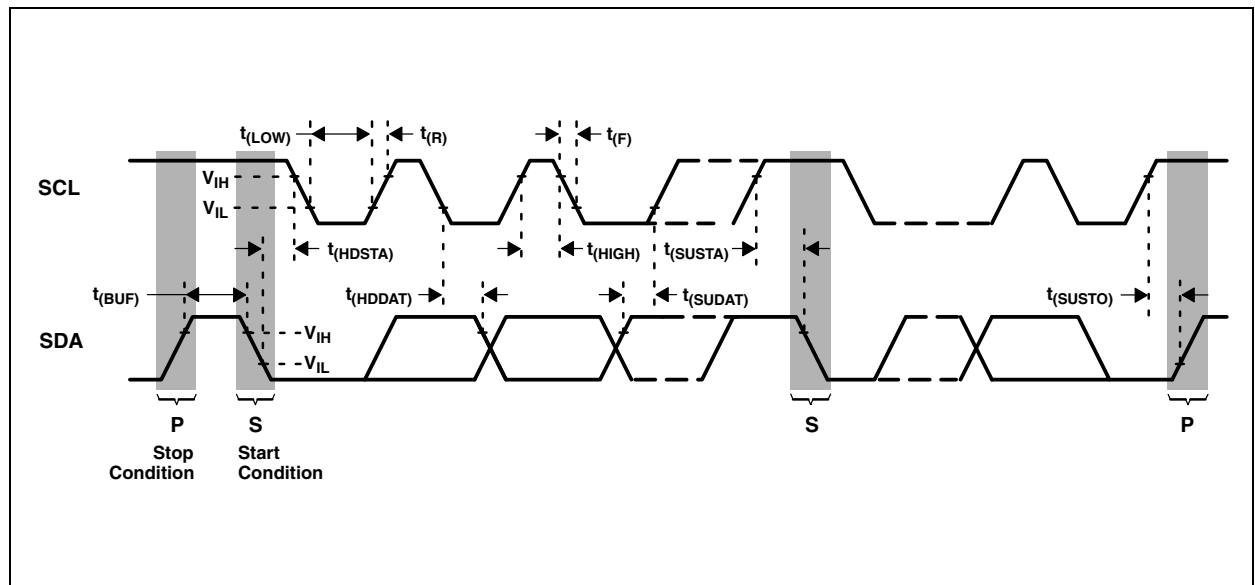
Figure 12:
AC Electrical Characteristics, $V_{DD} = 3V$, $T_A = 25^\circ C$ (unless otherwise noted)

Symbol	Parameter (1)	Test Conditions	Min	Typ	Max	Unit
$f_{(SCL)}$	Clock frequency (I ² C only)		0		400	kHz
$t_{(BUF)}$	Bus free time between start and stop condition		1.3			μs
$t_{(HDSTA)}$	Hold time after (repeated) start condition. After this period, the first clock is generated.		0.6			μs
$t_{(SUSTA)}$	Repeated start condition setup time		0.6			μs
$t_{(SUSTO)}$	Stop condition setup time		0.6			μs
$t_{(HDDAT)}$	Data hold time		0			μs
$t_{(SUDAT)}$	Data setup time		100			ns
$t_{(LOW)}$	SCL clock low period		1.3			μs
$t_{(HIGH)}$	SCL clock high period		0.6			μs
t_F	Clock/data fall time				300	ns
t_R	Clock/data rise time				300	ns
C_i	Input pin capacitance				10	pF

Note(s) and/or Footnote(s):

1. Specified by design and characterization; not production tested.

Figure 13:
Parameter Measurement Information: Timing Diagrams



Typical Operating Characteristics

Figure 14:
Spectral Responsivity

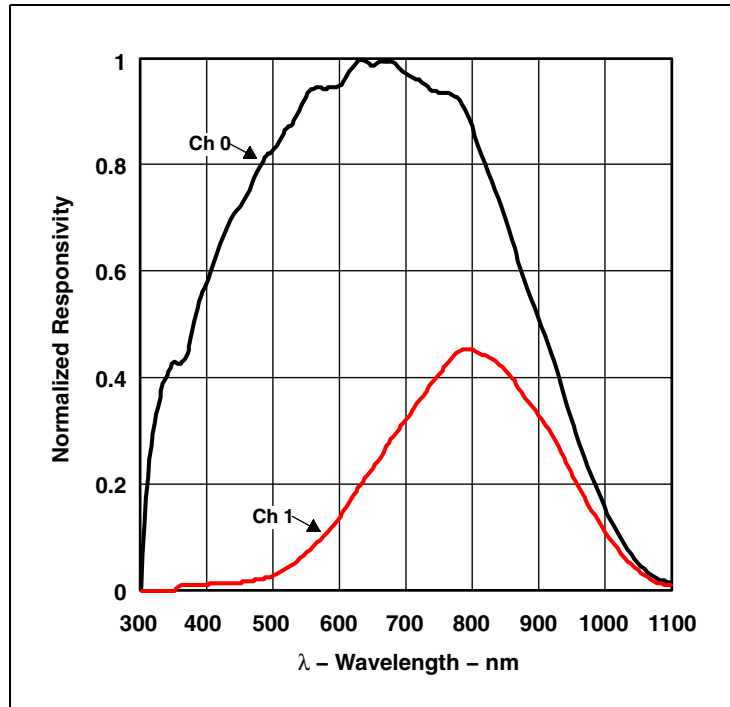


Figure 15:
Normalized Responsivity vs. Angular Displacement

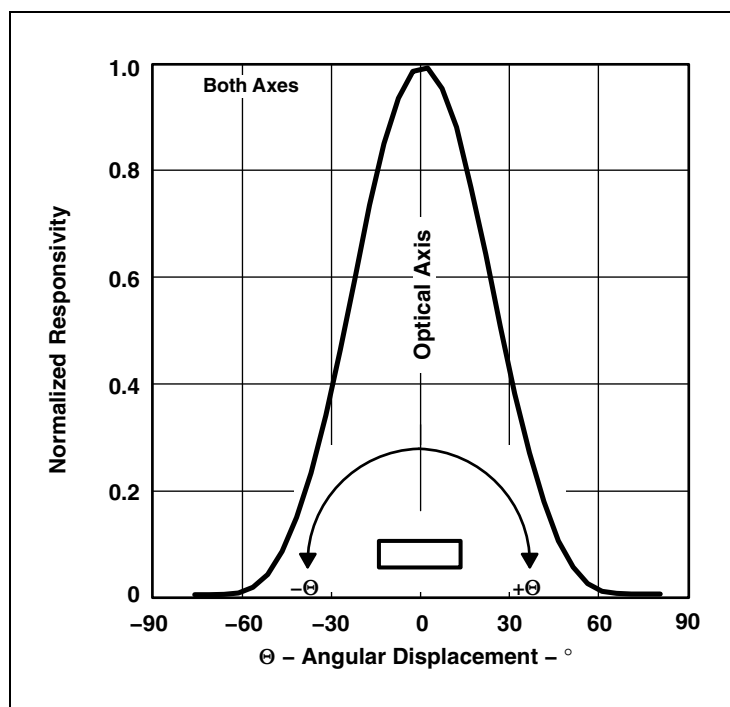


Figure 16:
Typical LDR Current vs. Voltage

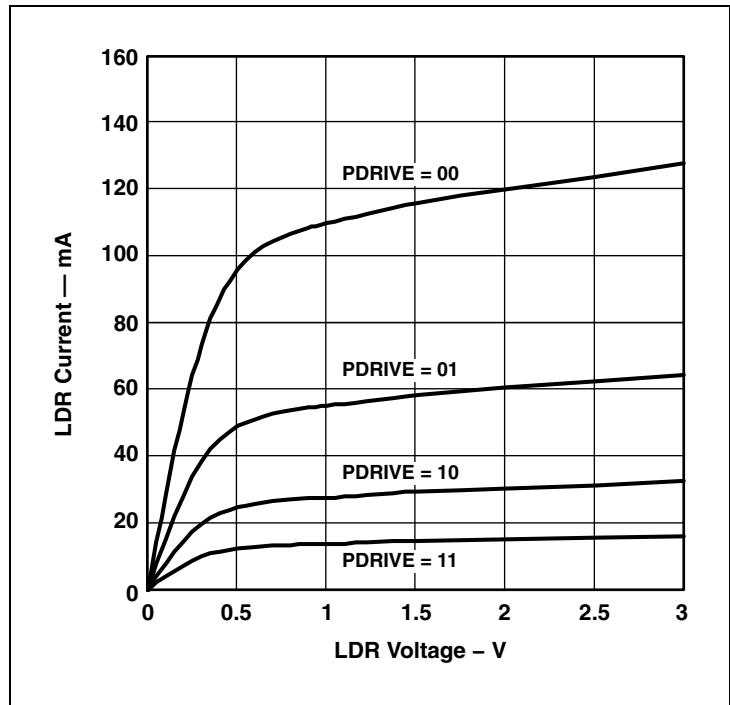
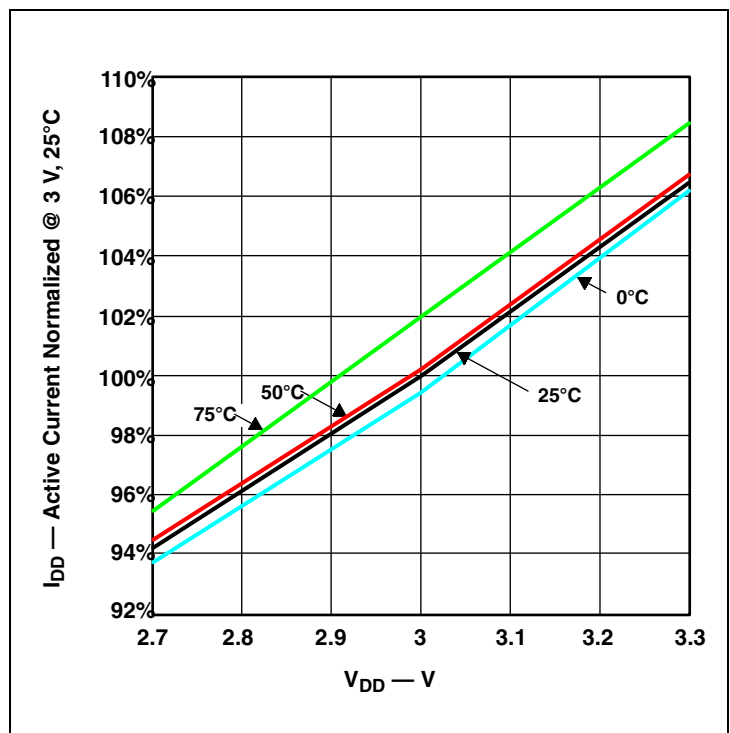


Figure 17:
Normalized I_{DD} vs. V_{DD} and Temperature



Principles of Operation

System State Machine

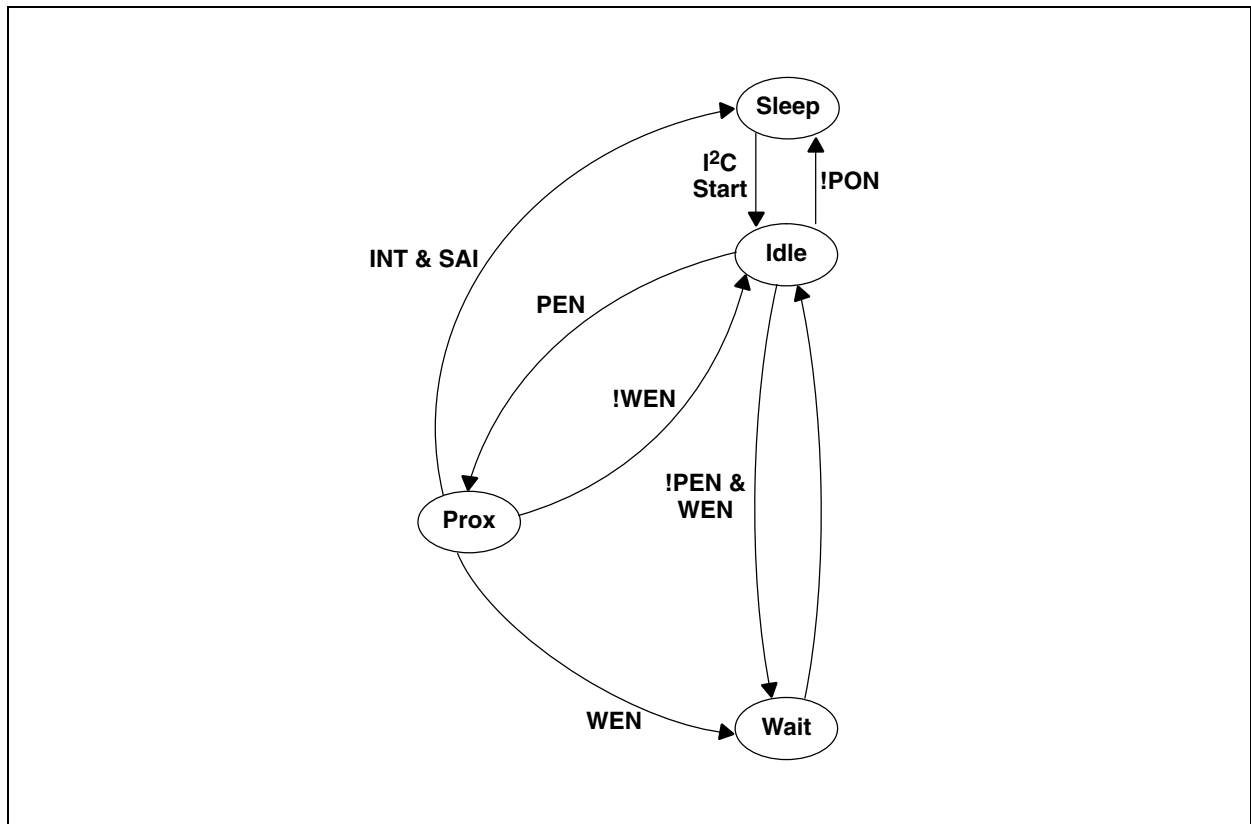
An internal state machine provides system control of the proximity detection and power management features of the device. At power up, an internal power-on-reset initializes the device and puts it in a low-power Sleep state.

When a start condition is detected on the I²C bus, the device transitions to the Idle state where it checks the Enable register (0x00) PON bit. If PON is disabled, the device will return to the Sleep state to save power. Otherwise, the device will remain in the Idle state until a proximity function is enabled. Once enabled, the device will execute the Prox and Wait states in sequence as indicated in Figure 18. Upon completion and return to Idle, the device will automatically begin a new prox-wait cycle as long as PON and PEN are enabled.

If the Prox function generates an interrupt and the Sleep-After-Interrupt (SAI) feature is enabled the device will transition to the Sleep state and remain in a low-power mode until an I²C command is received.

See [Interrupts](#) for additional information.

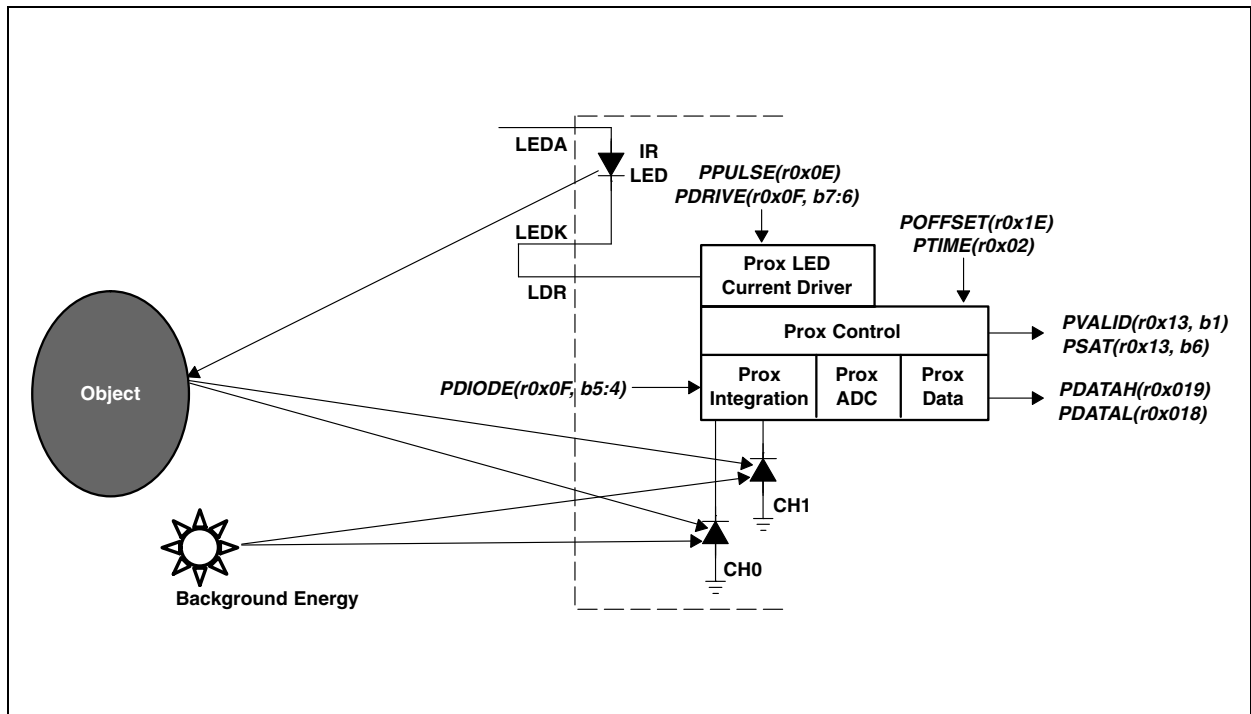
Figure 18:
Simplified State Diagram



Proximity Detection

Proximity detection is accomplished by measuring the amount of IR energy, from the internal IR LED, reflected off an object to determine its distance. The internal proximity IR LED is driven by the integrated proximity LED current driver as shown in Figure 19.

Figure 19: Proximity Detection



The LED current driver, output on the LDR terminal, provides a regulated current sink that eliminates the need for an external current limiting resistor. PDRIVE sets the drive current to one of four selectable levels.

Referring to the Detailed State Machine figure, the LED current driver pulses the IR LED as shown in Figure 20 during the Prox Accum state. Figure 20 also illustrates that the LED On pulse has a fixed width of 7.3µs and period of 16.0µs. So, in addition to setting the proximity drive current, 1 to 255 proximity pulses (PPULSE) can be programmed. When deciding on the number of proximity pulses, keep in mind that the signal increases proportionally to PPULSE, while noise increases by the square root of PPULSE.

Figure 20:
Proximity LED Current Driver Waveform

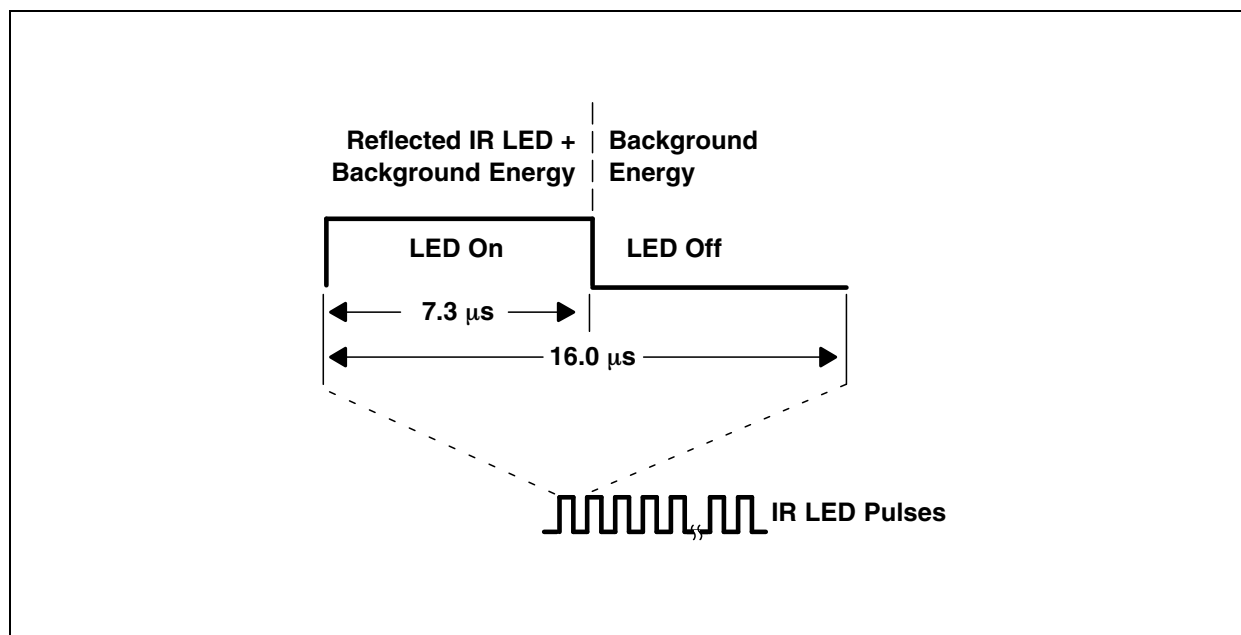


Figure 19 illustrates light rays emitting from the internal IR LED, reflecting off an object, and being absorbed by the CH0 and CH1 photodiodes. The proximity diode selector (PDIODE) determines which of the two photodiodes is used for a given proximity measurement. Note that neither photodiode is selected when the device first powers up, so PDIODE must be set for proximity detection to work.

Referring again to Figure 20, the reflected IR LED and the background energy is integrated during the LED On time, then during the LED Off time, the integrated background energy is subtracted from the LED On time energy, leaving the IR LED energy to accumulate from pulse to pulse. During LED On time integration, the proximity saturation bit in the Status register (0x13) will be set if the integrator saturates. This condition can occur if the proximity gain is set too high for the lighting conditions, such as in the presence of bright sunlight. Once asserted, PSAT will remain set until a special function proximity interrupt clear command is received from the host (see [Command Register](#))

After the programmed number of proximity pulses have been generated, the proximity ADC converts and scales the proximity measurement to a 16-bit value, then stores the result in two 8-bit proximity data (PDATAx) registers. ADC scaling is controlled by the proximity ADC conversion time (PTIME) which is programmable from 1 to 256 2.73ms time units. However, depending on the application, scaling the proximity data will equally scale any accumulated noise. Therefore, in general, it is recommended to leave PTIME at the default value of one 2.73ms ADC conversion time (0xFF).

In many practical proximity applications, a number of optical system and environmental conditions can produce an offset in the proximity measurement result. To counter these effects, a proximity offset (POFFSET) is provided which allows the proximity data to be shifted positive or negative. Additional information on the use of the proximity offset feature is provided in available **ams** application notes.

Once the first proximity cycle has completed, the proximity valid (PVALID) bit in the Status register will be set and remain set until the proximity detection function is disabled (PEN).

For additional information on using the proximity detection function behind glass and for optical system design guidance, please see available **ams** application notes.

Interrupts

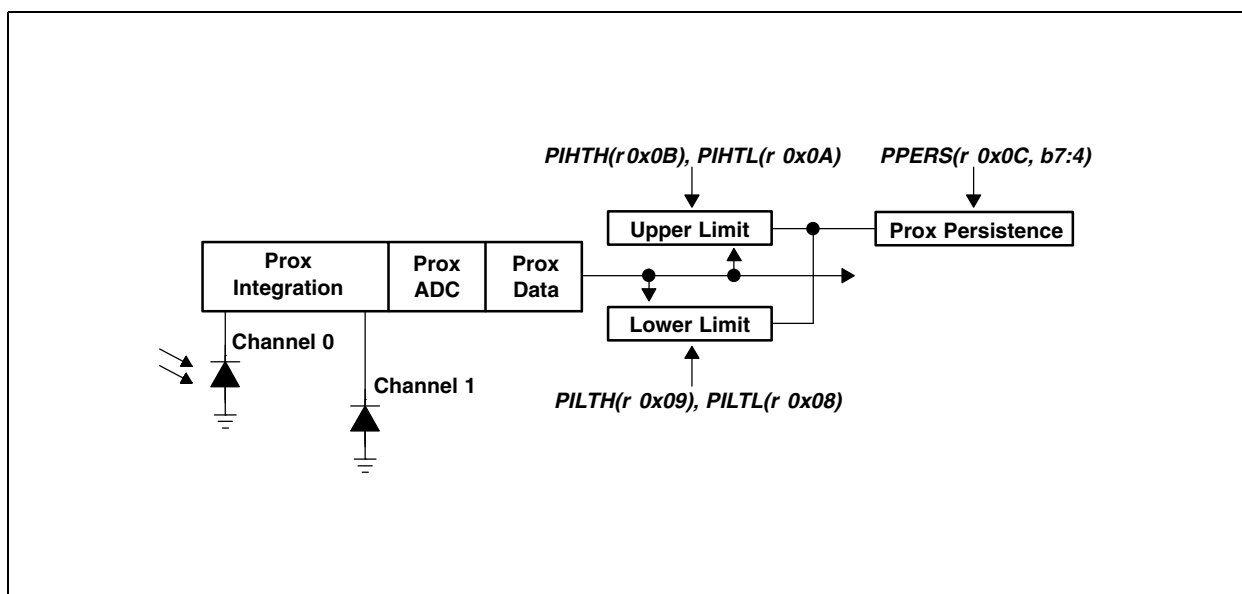
The interrupt feature simplifies and improves system efficiency by eliminating the need to poll the sensor for proximity values outside a user-defined range. While the interrupt function is always enabled and its status is available in the Status register (0x13), the output of the interrupt state can be enabled using the proximity interrupt enable (PIEN) field in the Enable register (0x00).

Two 16-bit interrupt threshold registers allow the user to set limits below and above a desired proximity range. An interrupt can be generated when the proximity data (PDATA) falls below the proximity interrupt low threshold (PILTx) or exceeds the proximity interrupt high threshold (PIHTx).

It is important to note that the thresholds are evaluated in sequence, first the low threshold, then the high threshold. As a result, if the low threshold is set above the high threshold, the high threshold is ignored and only the low threshold is evaluated.

To further control when an interrupt occurs, the device provides an interrupt persistence feature. The persistence filter allows the user to specify the number of consecutive out-of-range proximity occurrences before an interrupt is generated. The persistence filter register (0x0C) allows the user to set the proximity persistence filter (PPERS) values. See the persistence filter register for details on the persistence filter values. Once the persistence filter generates an interrupt, it will continue until a special function interrupt clear command is received (see [Command Register](#)).

Figure 21:
Programmable Interrupt



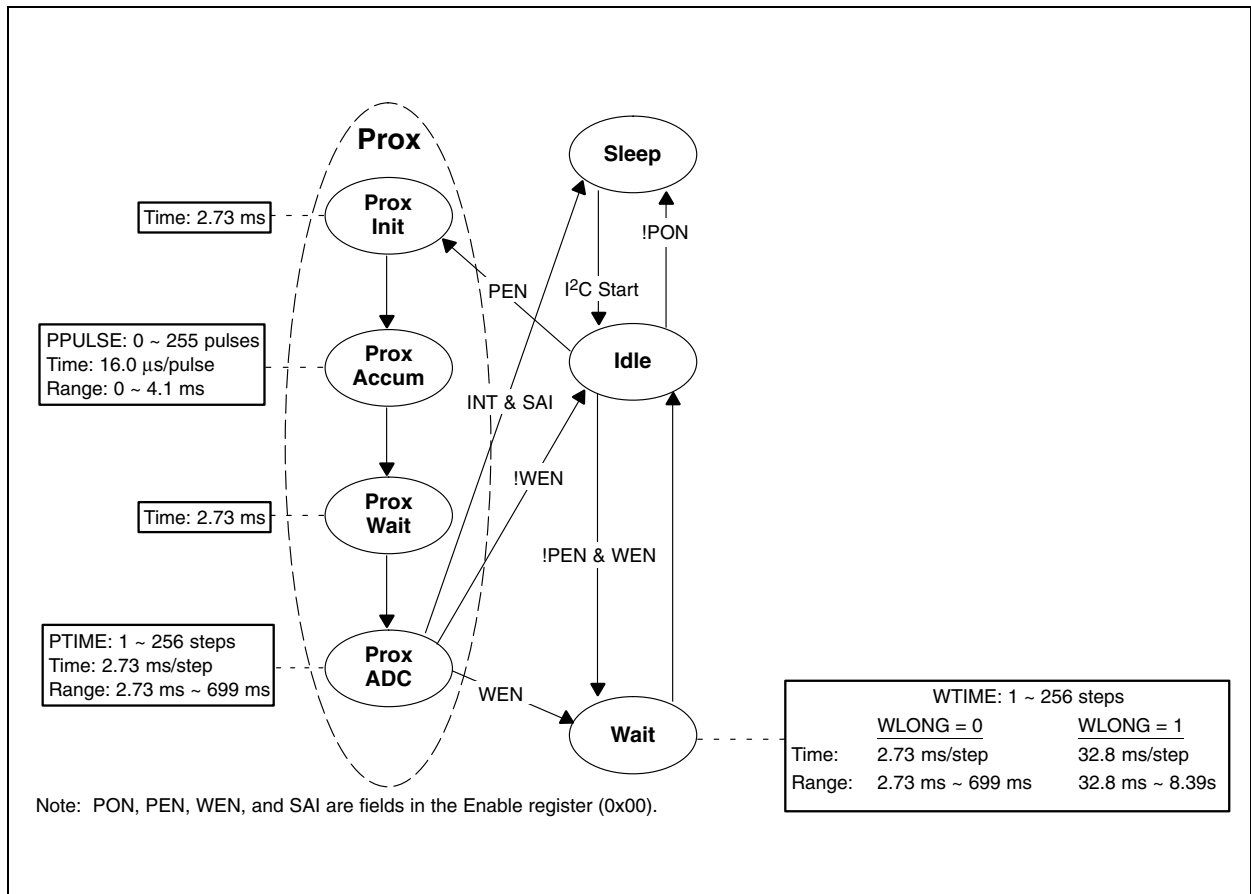
State Diagram

The system state machine shown in Figure 18 provides an overview of the states and state transitions that provide system control of the device. This section highlights the programmable features that affect the state machine cycle time, and provides details to determine system level timing.

When the proximity detection feature is enabled (PEN), the state machine transitions through the Prox Init, Prox Accum, Prox Wait, and Prox ADC states. The Prox Init and Prox Wait times are a fixed 2.73ms, whereas the Prox Accum time is determined by the number of proximity LED pulses (PPULSE) and the Prox ADC time is determined by the integration time (PTIME). The formulas to determine the Prox Accum and Prox ADC times are given in the associated boxes in Figure 22. If an interrupt is generated as a result of the proximity cycle, it will be asserted at the end of the Prox ADC state and transition to the Sleep state if SAI is enabled.

When the power management feature is enabled (WEN), the state machine will transition in turn to the Wait state. The wait time is determined by WLONG, which extends normal operation by 12x when asserted, and WTIME. The formula to determine the wait time is given in the box associated with the Wait state in Figure 22.

Figure 22:
Expanded State Diagram



Power Management

Power consumption can be managed with the Wait state because the wait state consumes only 90µA of I_{DD} current. An example of the power management feature is shown in [Figure 23](#). With the assumptions provided in the example, the average I_{DD} is estimated to be 157µA.

Figure 23:
Power Management

System State Machine State	Programmable Parameter	Programmed Value	Duration	Typical Current
Prox Init			2.73ms	0.195mA
Prox Accum	PPULSE	0x04	0.064ms	
Prox Accum – LED On			0.029ms ⁽¹⁾	103mA
Prox Accum – LED Off			0.035ms ⁽²⁾	0.195mA
Prox Wait			2.73ms	0.195mA
Prox ADC	PTIME	0xFF	2.73ms	0.195mA
Wait	WTIME	0xEE	49.2ms	0.090mA
	WLONG	0		

Note(s) and/or Footnote(s):

1. Prox Accum - LED On time = 7.3µs per pulse × 4 pulses = 29.3µs = 0.029ms

2. Prox Accum - LED Off time = 8.7µs per pulse × 4 pulses = 34.7µs = 0.035ms

Average I_{DD} Current = $((2.73 \times 0.195) + (0.029 \times 103) + (0.035 \times 0.195) + (2 \times 2.73 \times 0.195) + (49.2 \times 0.090)) / 57.45 \approx 157 \mu\text{A}$

Keeping with the same programmed values as the example, [Figure 24](#) shows how the average I_{DD} current is affected by the Wait state time, which is determined by WEN, WTIME, and WLONG. Note that the worst-case current occurs when the Wait state is not enabled.

Figure 24:
Average I_{DD} Current

WEN	WTIME	WLONG	Wait State	Average I_{DD} Current
0	n/a	n/a	0ms	556µA
1	0xFF	0	2.73ms	440µA
1	0xEE	0	49.2ms	157µA
1	0x00	0	699ms	99µA
1	0x00	1	8389ms	90µA

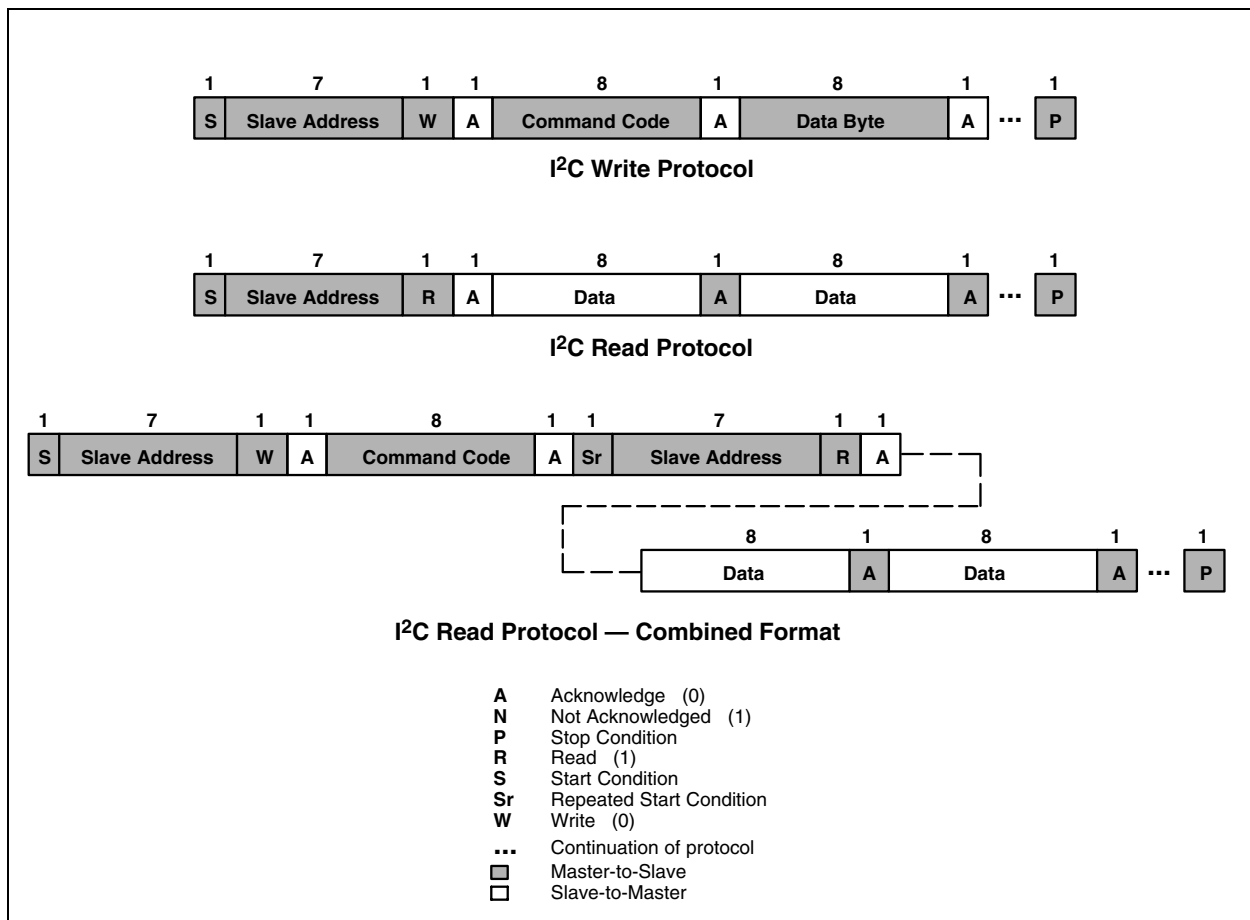
I²C Protocol

Interface and control are accomplished through an I²C serial compatible interface (standard or fast mode) to a set of registers that provide access to device control functions and output data. The devices support the 7-bit I²C addressing protocol.

The I²C standard provides for three types of bus transaction: read, write, and a combined protocol (Figure 25). During a write operation, the first byte written is a command byte followed by data. In a combined protocol, the first byte written is the command byte followed by reading a series of bytes. If a read command is issued, the register address from the previous command will be used for data access. Likewise, if the MSB of the command is not set, the device will write a series of bytes at the address stored in the last valid command with a register address. The command byte contains either control information or a 5-bit register address. The control commands can also be used to clear interrupts.

The I²C bus protocol was developed by Philips (now NXP). For a complete description of the I²C protocol, please review the NXP I²C design specification at <http://www.i2c-bus.org/references>.

Figure 25:
I²C Protocols



Register Set

The device is controlled and monitored by data registers and a command register accessed through the serial interface. These registers provide for a variety of control functions and can be read to determine results of the ADC conversions. The Register Set is summarized in [Figure 26](#).

Figure 26:
Register Address

Address	Register Name	R/W	Register Function	Reset Value
---	COMMAND	W	Specifies register address	0x00
0x00	ENABLE	R/W	Enables states and interrupts	0x00
0x02	PTIME	R/W	Proximity ADC time	0xFF
0x03	WTIME	R/W	Wait time	0xFF
0x08	PILTL	R/W	Proximity interrupt low threshold low byte	0x00
0x09	PILTH	R/W	Proximity interrupt low threshold high byte	0x00
0x0A	PIHTL	R/W	Proximity interrupt high threshold low byte	0x00
0x0B	PIHTH	R/W	Proximity interrupt high threshold high byte	0x00
0x0C	PERS	R/W	Interrupt persistence filter	0x00
0x0D	CONFIG	R/W	Configuration	0x00
0x0E	PPULSE	R/W	Proximity pulse count	0x00
0x0F	CONTROL	R/W	Control register	0x00
0x11	REVISION	R	Die revision number	Rev Num.
0x12	ID	R	Device ID	ID
0x13	STATUS	R	Device status	0x00
0x18	PDATAH	R	Proximity ADC high data register	0x00
0x19	PDATAH	R	Proximity ADC high data register	0x00
0x1E	POFFSET	R/W	Proximity Offset register	0x00

The mechanics of accessing a specific register depends on the specific protocol used. See the section on I²C protocols on the previous pages. In general, the Command register is written first to specify the specific control/status register for following read/write operations.

Command Register

The Command Register specifies the address of the target register for future write and read operations.

Figure 27:
Command Register

	7	6	5	4	3	2	1	0
COMMAND	TYPE			ADD				

Field	Bits	Description	
COMMAND	7	Select Command Register. Must write as 1 when addressing Command Register.	
TYPE	6:5	Selects type of transaction to follow in subsequent data transfers:	
		Field Value	Description
		00	Repeated byte protocol transaction
		01	Auto-increment protocol transaction
		10	Reserved - Do not use
		11	Special function - See description below
		Transaction type 00 will repeatedly read the same register with each data access. Transaction type 01 will provide an auto-increment function to read successive register bytes.	
ADD	4:0	Address Register/Special Function Register. Depending on the transaction type, see above, this field either specifies a special function command or selects the specific control-status-register for following write and read transactions:	
		Field Value	Description
		00000	Normal - no action
		00101	Proximity interrupt clear
		Proximity Interrupt Clear clears any pending proximity interrupt. This special function is self clearing.	

Enable Register (0x00)

The Enable Register is used to power the device on/off, enable functions, and interrupts.

Figure 28:
Enable Register

	7	6	5	4	3	2	1	0
	Reserved	SAI	PIEN	Reserved	WEN	PEN	Reserved	PON

Field	Bits	Description
Reserved	7	Reserved. Write as 0.
SAI	6	Sleep After Interrupt. 0 = not enabled, 1 = enabled
PIEN	5	Proximity Interrupt Mask. When asserted, permits proximity interrupts to be generated.
Reserved	4	Reserved. Write as 0.
WEN	3	Wait Enable. This bit activates the wait feature. Writing a 1 activates the wait timer. Writing a 0 disables the wait timer.
PEN	2	Proximity Enable. This bit activates the proximity function. Writing a 1 enables proximity. Writing a 0 disables proximity.
Reserved	1	Reserved. Write as 0.
PON	0	Power ON. This bit activates the internal oscillator to permit the timers and ADC channel to operate. Writing a 1 activates the oscillator. Writing a 0 disables the oscillator.

Proximity Time Control Register (0x02)

The Proximity Timing Register controls the integration time of the proximity ADC in 2.73ms increments. Upon power up, the Proximity Time Register is set to 0xFF. It is recommended that this register be programmed to a value of 0xFF (1 integration cycle).

Figure 29:
Proximity Time Control Register

Field	Bits	Description			
PTIME	7:0	Value	INTEG_CYCLES	Time	Max Count
		0xFF	1	2.73ms	1023

Wait Time Register (0x03)

Wait time is set 2.73ms increments unless the WLONG bit is asserted, in which case the wait times are 12x longer. WTIME is programmed as a 2's complement number. Upon power up, the Wait Time Register is set to 0xFF.

Figure 30: Proximity Time Control Register

Field	Bits	Description			
		Register Value	Wait Time	Time (WLONG = 0)	Time (WLONG = 1)
WTIME	7:0	0xFF	1	2.72ms	0.032 sec
		0xB6	74	200ms	2.4 sec
		0x00	256	700ms	8.3 sec

Note(s) and/or Footnote(s):

1. The Proximity Wait Time Register should be configured before PEN is asserted.

Proximity Interrupt Threshold Register (0x08 - 0x0B)

The Proximity Interrupt Threshold Registers provide the values to be used as the high and low trigger points for the comparison function for interrupt generation. If the value generated by proximity channel crosses below the lower threshold specified, or above the higher threshold, an interrupt is signaled to the host processor.

Figure 31: Proximity Interrupt Threshold Register

Register	Address	Bits	Description
PILTL	0x08	7:0	Proximity low threshold lower byte
PILTH	0x09	7:0	Proximity low threshold upper byte
PIHTL	0x0A	7:0	Proximity high threshold lower byte
PIHTL	0x0B	7:0	Proximity high threshold upper byte

Persistence Register (0x0C)

The Persistence Register controls the filtering interrupt capabilities of the device. Configurable filtering is provided to allow interrupts to be generated after each ADC integration cycle or if the ADC integration has produced a result that is outside of the values specified by threshold register for some specified amount of time.

Figure 32:
Persistence Register

	7	6	5	4	3	2	1	0
	PPERS				Reserved			

Field	Bits	Description		
PPERS	7:4	Proximity Interrupt Persistence. Controls rate of proximity interrupt to the host processor.		
		Field Value	Meaning	Interrupt Persistence Function
		0000	----	Every proximity cycle generates an interrupt
		0001	1	1 proximity value out of range
		0010	2	2 consecutive proximity values out of range
	
		1111	15	15 consecutive proximity values out of range
Reserved	3:0	Default setting is 0x00.		

Configuration Register (0x0D)

The Configuration Register sets the wait long time.

Figure 33:
Enable Register

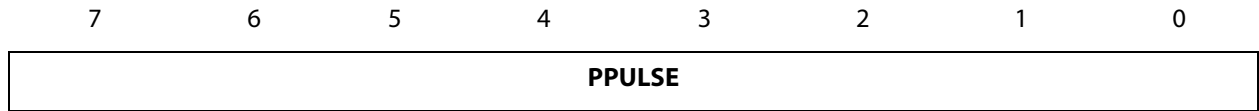
	7	6	5	4	3	2	1	0
	Reserved					WLONG	Reserved	

Field	Bits	Description
Reserved	7:2	Reserved. Write as 0.
WLONG	1	Wait Long. When asserted, the wait cycles are increased by a factor 12x from that programmed in the WTIME register.
Reserved	0	Reserved. Write as 0.

Proximity Pulse Count Register (0x0E)

The Proximity Pulse Count Register sets the number of proximity pulses that will be transmitted. PPULSE defines the number of pulses to be transmitted at a 62.5kHz rate.

Figure 34:
Proximity Pulse Count Register



Field	Bits	Description
PPULSE	7:0	Proximity Pulse Count. Specifies the number of proximity pulses to be generated.

Control Register (0x0F)

The Control Register provides four bits of control to the analog block. These bits control the diode drive current and diode selection functions.

Figure 35:
Control Register

7	6	5	4	3	2	1	0
PDRIVE		PDIODE		PGAIN		Reserved	

Field	Bits	Description		
PDRIVE ⁽¹⁾	7:6	Proximity LED Drive Strength		
		Field Value	LED STRENGTH - PDL = 0	LED STRENGTH - PDL = 1
		00	<i>100mA</i>	<i>11.1mA</i>
		01	<i>50mA</i>	<i>5.6mA</i>
		10	<i>25mA</i>	<i>2.8mA</i>
		11	<i>12.5mA</i>	<i>1.4mA</i>
PDIODE	5:4	Proximity Diode Selector		
		Field Value	Diode Selection	
		00	Proximity uses neither diode	
		01	Proximity uses the CH0 diode	
		10	Proximity uses the CH1 diode	
		11	Reserved - Do not write	
PGAIN	3:2	Proximity Gain		
		Field Value	Proximity Gain Value	
		00	1× gain	
		01	2× gain	
		10	4× gain	
		11	8× gain	
Reserved	1:0	Reserved		

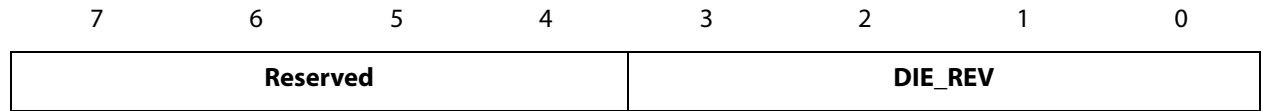
Note(s) and/or Footnote(s):

1. LED STRENGTH values (italic) are nominal operating values. Specifications can be found in the Proximity Characteristics table.

Revision Register (0x11)

The Revision Register shows the silicon revision number. It is a read-only register and shows the revision level of the silicon used internally.

Figure 36:
Revision Register

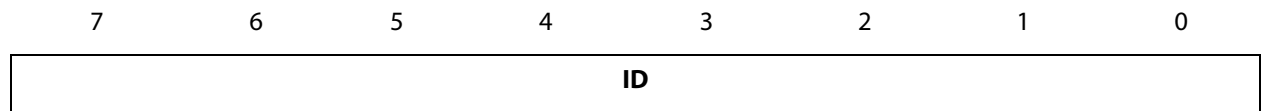


Field	Bits	Description	
Reserved	7:4	Reserved	Bits read as 0
DIE_REV	3:0	Die revision number	Die revision number

ID Register (0x12)

The ID Register provides the value for the part number. The ID Register is a read-only register.

Figure 37:
ID Register



Field	Bits	Description	
ID	7:0	Part number identification	0x32 = TMD26721
			0x3B = TMD26723

Status Register (0x13)

The Status Register provides the internal status of the device. This register is read only.

Figure 38:
Status Register

7	6	5	4	3	2	1	0
Reserved	PSAT	PINT	Reserved			PVALID	Reserved

Field	Bits	Description
Reserved	7	Reserved
PSAT	6	Proximity Saturation. Indicates that the proximity measurement saturated.
PINT	5	Proximity Interrupt. Indicates that the device is asserting a proximity interrupt.
Reserved	4:2	Reserved. Bits read as 0.
PVALID	1	Proximity Valid. Indicates that the proximity channel has completed an integration cycle after PEN has been asserted.
Reserved	0	Reserved

Proximity Data Register (0x18 - 0x19h)

Proximity data is stored as a 16-bit value. To ensure the data is read correctly, a two-byte I²C read transaction should be utilized with auto increment protocol bits set in the Command Register. With this operation, when the lower byte register is read, the upper eight bits are stored into a shadow register, which is read by a subsequent read to the upper byte. The upper register will read the correct value even if the next ADC cycle ends between the reading of the lower and upper registers.

Figure 39:
PDATA Registers

Register	Address	Bits	Description
PDATA _L	0x18	7:0	Proximity data low byte
PDATA _H	0x19	7:0	Proximity data high byte

Proximity Offset Register (0x1E)

The 8-bit Proximity Offset Register provides compensation for proximity offsets caused by device variations, optical crosstalk, and other environmental factors. Proximity offset is a sign-magnitude value where the sign bit, bit 7, determines if the offset is negative (bit 7 = 0) or positive (bit 7 = 1). At power up, the register is set to 0x00. The magnitude of the offset compensation depends on the proximity gain (PGAIN), proximity LED drive strength (PDRIVE), and the number of proximity pulses (PPULSE). Because a number of environmental factors contribute to proximity offset, this register is best suited for use in an adaptive closed-loop control system. See available **ams** application notes for proximity offset register application information.

Figure 40:
Proximity Offset Register

	7	6	5	4	3	2	1	0
	SIGN	MAGNITUDE						

Field	Bits	Description
SIGN	7	Proximity Offset Sign. The offset sign shifts the proximity data negative when equal to 0 and positive when equal to 1.
MAGNITUDE	6:0	Proximity Offset Magnitude. The offset magnitude shifts the proximity data positive or negative, depending on the proximity offset sign. The actual amount of the shift depends on the proximity gain (PGAIN), proximity LED drive strength (PDRIVE), and the number of proximity pulses (PPULSE).

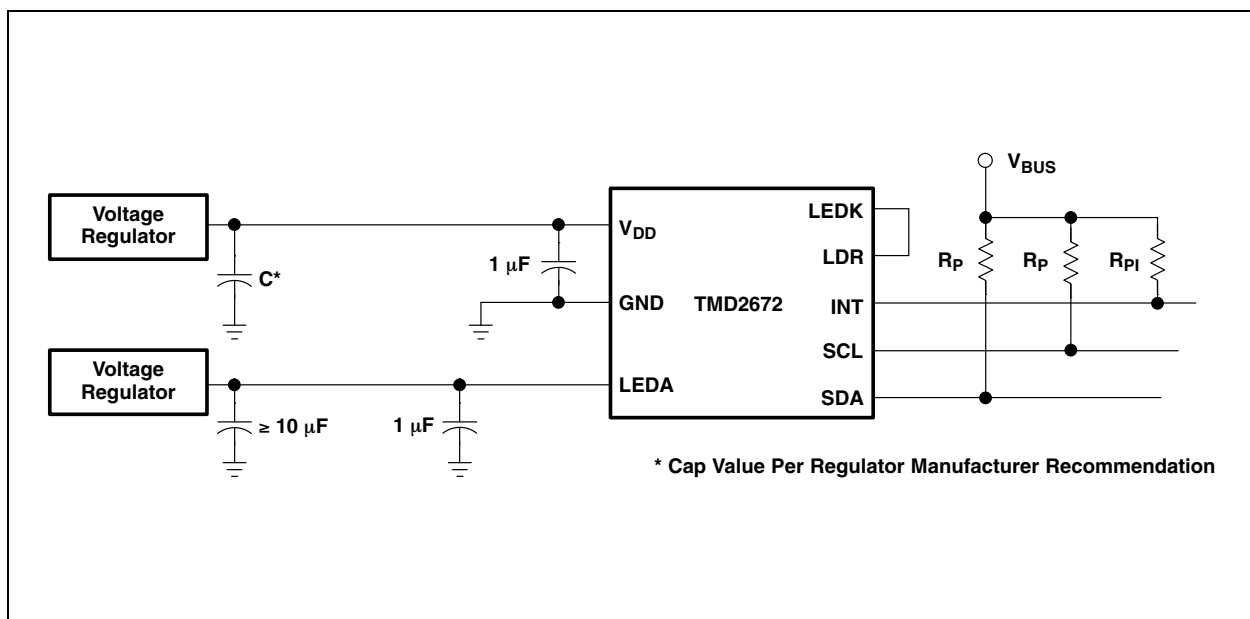
Application Information: Hardware

LED Driver Pin with Proximity Detection

In a proximity sensing system, the included IR LED can be pulsed with more than 100mA of rapidly switching current, therefore, a few design considerations must be kept in mind to get the best performance. The key goal is to reduce the power supply noise coupled back into the device during the LED pulses. Averaging of multiple proximity samples is recommended to reduce the proximity noise.

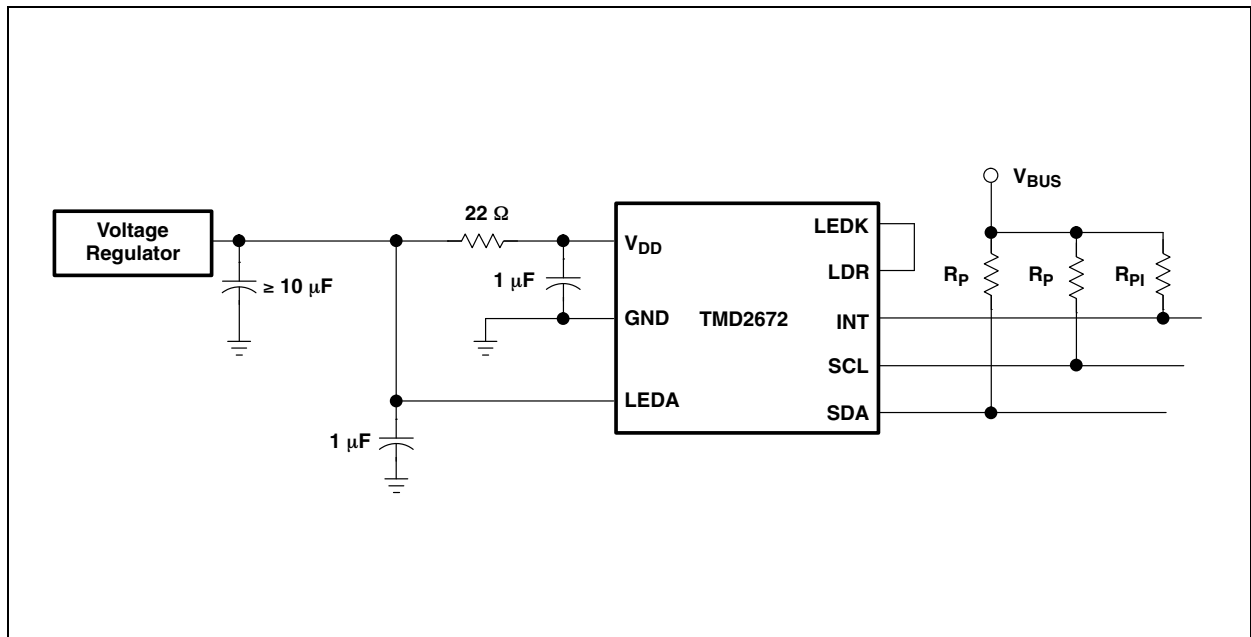
The first recommendation is to use two power supplies; one for the device V_{DD} and the other for the IR LED. In many systems, there is a quiet analog supply and a noisy digital supply. By connecting the quiet supply to the V_{DD} pin and the noisy supply to the LEDA pin, the key goal can be met. Place a $1\mu\text{F}$ low-ESR decoupling capacitor as close as possible to the V_{DD} pin and another at the LEDA pin, and at least $10\mu\text{F}$ of bulk capacitance to supply the 100mA current surge. This may be distributed as two $4.7\mu\text{F}$ capacitors.

Figure 41:
Proximity Sensing Using Separate Power Supplies



If it is not possible to provide two separate power supplies, the device can be operated from a single supply. A 22Ω resistor in series with the V_{DD} supply line and a $1\mu\text{F}$ low ESR capacitor effectively filter any power supply noise. The previous capacitor placement considerations apply.

Figure 42:
Proximity Sensing Using Single Power Supply



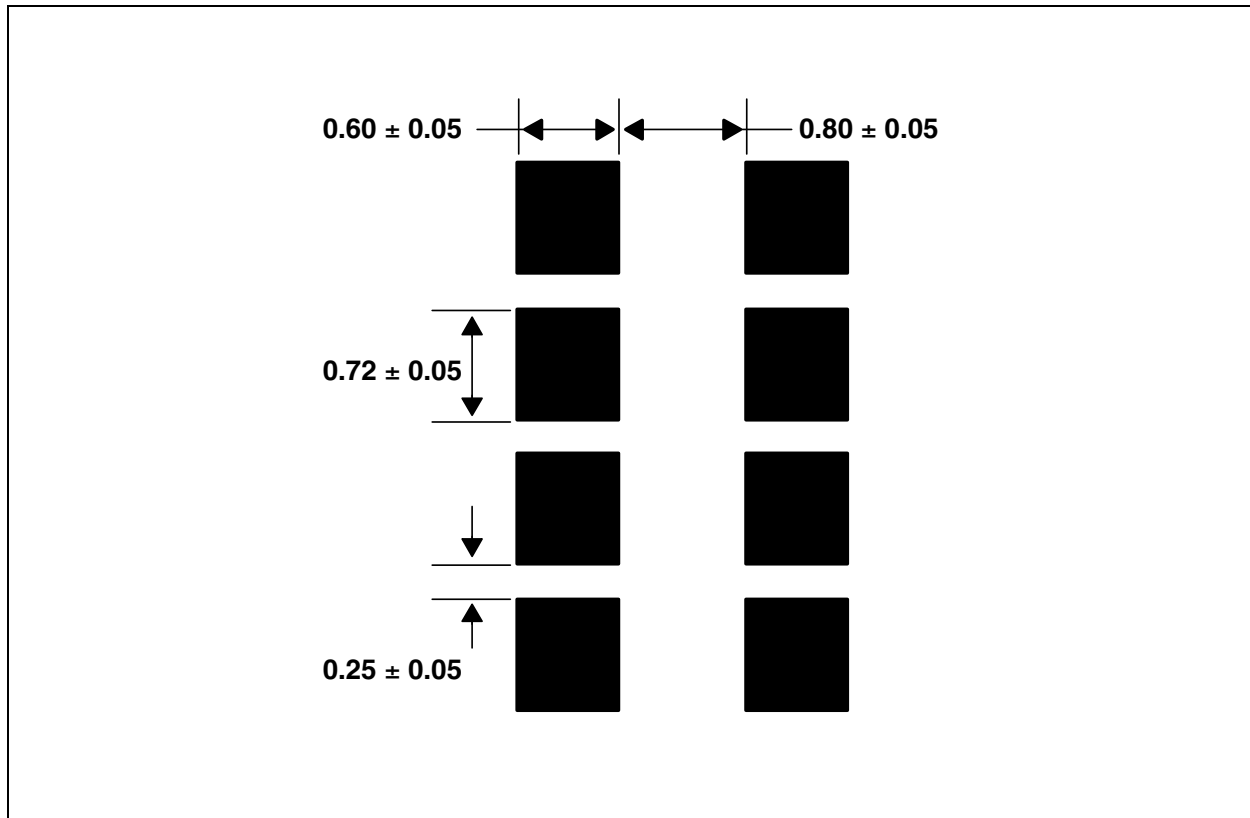
V_{BUS} in the above figures refers to the I²C bus voltage which is either V_{DD} or 1.8V. Be sure to apply the specified I²C bus voltage shown in the [Ordering Information](#) table for the specific device being used.

The I²C signals and the Interrupt are open-drain outputs and require pull-up resistors. The pull-up resistor (R_P) value is a function of the I²C bus speed, the I²C bus voltage, and the capacitive load. The **ams** EVM running at 400kbps, uses 1.5kΩ resistors. A 10kΩ pull-up resistor (R_{Pi}) can be used for the interrupt line.

PCB Pad Layout

Suggested PCB pad layout guidelines for the surface mount module are shown in Figure 43. Flash Gold is recommended surface finish for the landing pads.

Figure 43:
Suggested Module PCB Layout

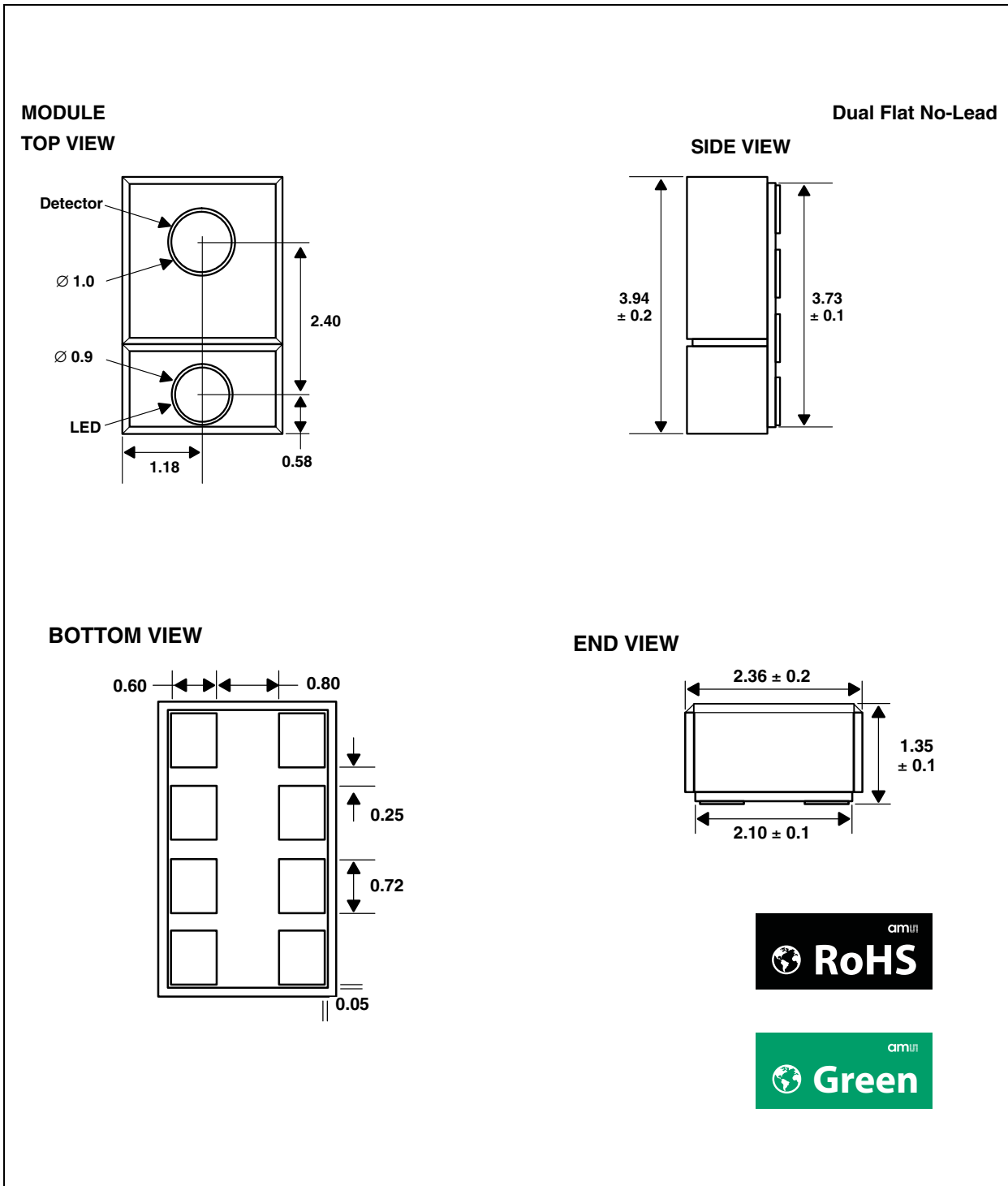


Note(s) and/or Footnote(s):

1. All linear dimensions are in mm.
2. This drawing is subject to change without notice.

Package Information

Figure 44:
Module Packaging Configuration

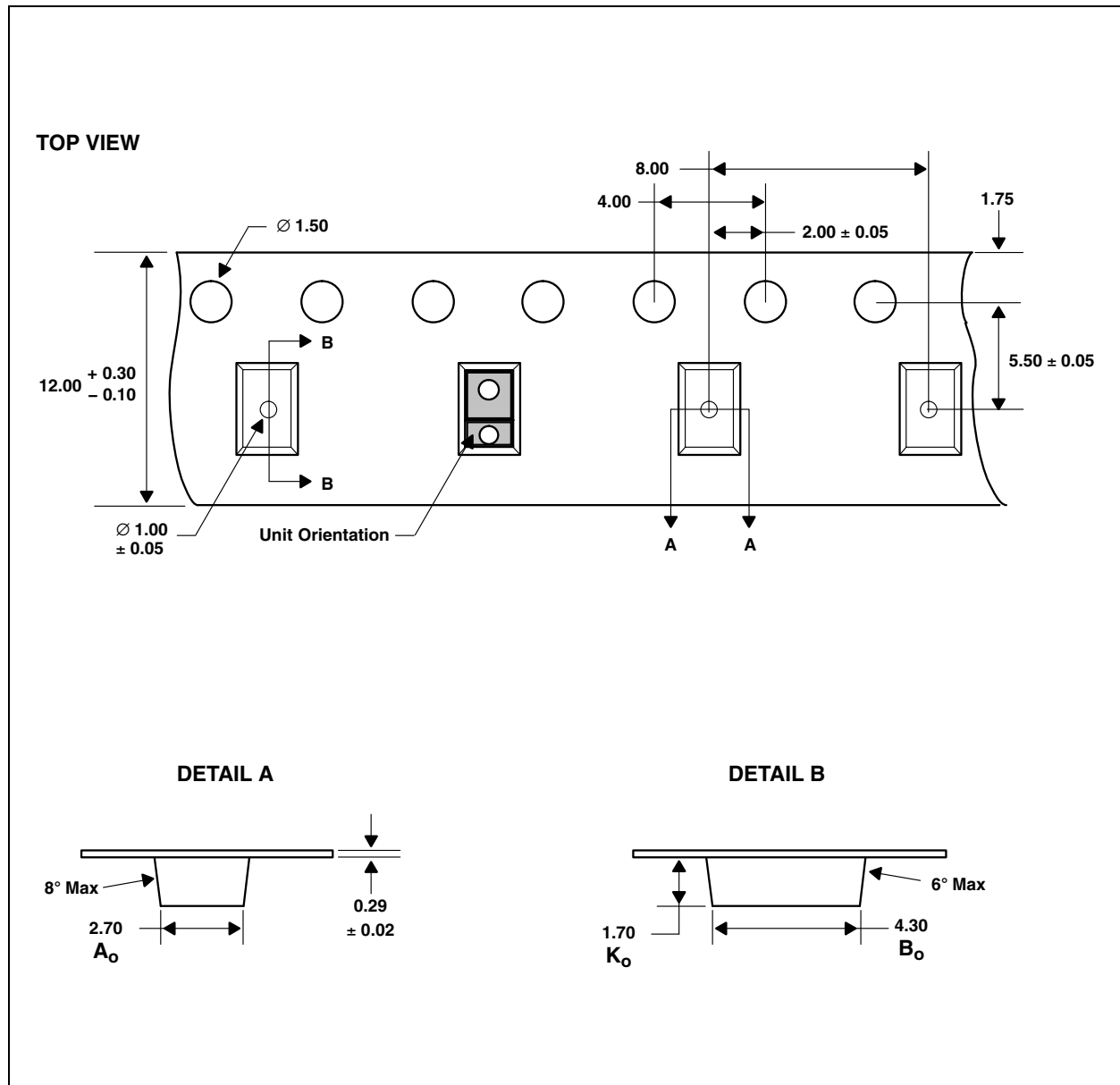


Note(s) and/or Footnote(s):

1. All linear dimensions are in millimeters. Dimension tolerance is ± 0.05mm unless otherwise noted.
2. Contacts are copper with NiPdAu plating.
3. This package contains no lead (Pb).
4. This drawing is subject to change without notice.

Carrier Tape & Reel Information

Figure 45:
Module Carrier Tape



Note(s) and/or Footnote(s):

1. All linear dimensions are in millimeters. Dimension tolerance is ± 0.10 mm unless otherwise noted.
2. The dimensions on this drawing are for illustrative purposes only. Dimensions of an actual carrier may vary slightly.
3. Symbols on drawing A_o , B_o , and K_o are defined in ANSI EIA Standard 481-B 2001.
4. Each reel is 330 millimeters in diameter and contains 2500 parts.
5. **ams** packaging tape and reel conform to the requirements of EIA Standard 481-B.
6. In accordance with EIA standard, device pin 1 is located next to the sprocket holes in the tape.
7. This drawing is subject to change without notice.

Soldering & Storage Information

Soldering Information

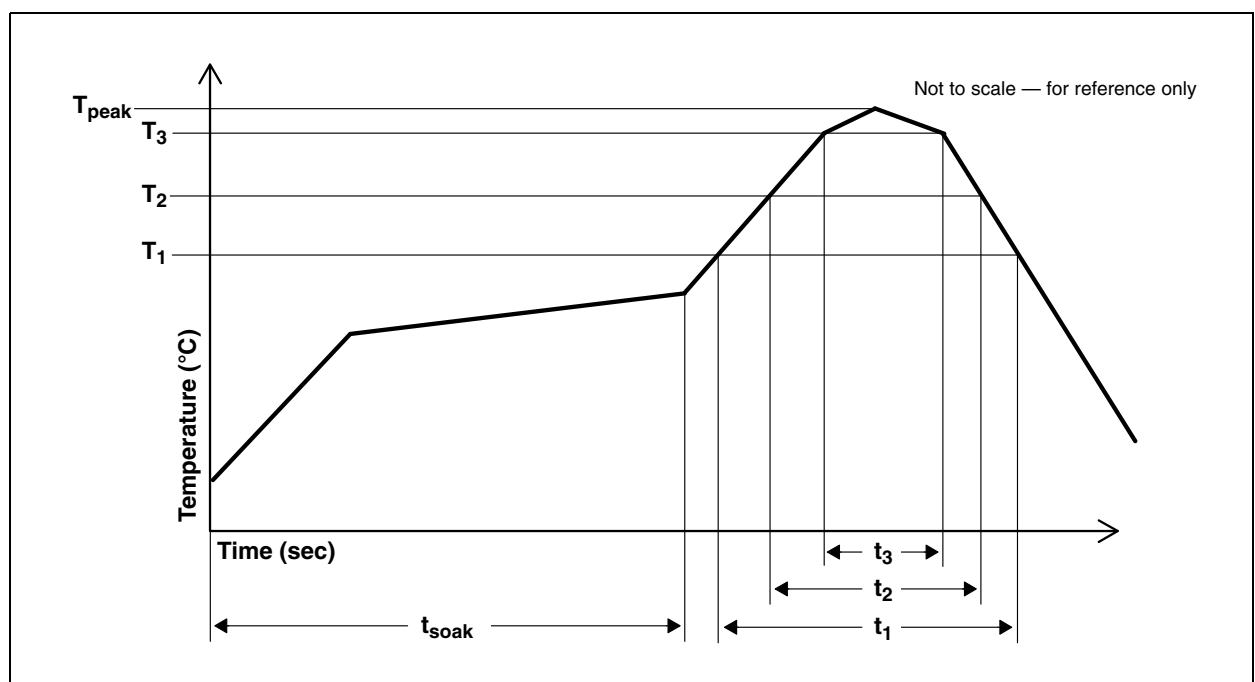
The module has been tested and has demonstrated an ability to be reflow soldered to a PCB substrate. The process, equipment, and materials used in these test are detailed below.

The solder reflow profile describes the expected maximum heat exposure of components during the solder reflow process of product on a PCB. Temperature is measured on top of component. The components should be limited to a maximum of three passes through this solder reflow profile.

Figure 46:
Solder Reflow Profile

Parameter	Reference	Device
Average temperature gradient in preheating		2.5°C/sec
Soak time	t_{soak}	2 to 3 minutes
Time above 217°C (T_1)	t_1	Max 60 sec
Time above 230°C (T_2)	t_2	Max 50 sec
Time above $T_{peak} - 10^\circ\text{C}$ (T_3)	t_3	Max 10 sec
Peak temperature in reflow	T_{peak}	260°C
Temperature gradient in cooling		Max -5°C/sec

Figure 47:
Solder Reflow Profile Graph



Storage Information

Moisture Sensitivity

Optical characteristics of the device can be adversely affected during the soldering process by the release and vaporization of moisture that has been previously absorbed into the package. To ensure the package contains the smallest amount of absorbed moisture possible, each device is dry-baked prior to being packed for shipping. Devices are packed in a sealed aluminized envelope called a moisture barrier bag with silica gel to protect them from ambient moisture during shipping, handling, and storage before use.

The Moisture Barrier Bags should be stored under the following conditions:

- Temperature Range: < 40°C
- Relative Humidity: < 90%
- Total Time: No longer than 12 months from the date code on the aluminized envelope if unopened.

Rebaking of the reel will be required if the devices have been stored unopened for more than 12 months and the Humidity Indicator Card shows the parts to be out of the allowable moisture region.

Opened reels should be used within 168 hours if exposed to the following conditions:

- Temperature Range: < 30°C
- Relative Humidity: < 60%

If rebaking is required, it should be done at 50°C for 12 hours.

The Module has been assigned a moisture sensitivity level of MSL 3.

Ordering & Contact Information

Figure 48:
Ordering Information

Device	Address	Leads	Interface Description	Ordering Number
TMD26721	0x39	Module-8	I ² C Vbus = V _{DD} Interface	TMD26721
TMD26723	0x39	Module-8	I ² C Vbus = 1.8V Interface	TMD26723
TMD26725 ⁽¹⁾	0x29	Module-8	I ² C Vbus = V _{DD} Interface	TMD26725
TMD26727 ⁽¹⁾	0x29	Module-8	I ² C Vbus = 1.8V Interface	TMD26727

Note(s) and/or Footnote(s):

1. Contact **ams** for availability.

Buy our products or get free samples online at:

www.ams.com/ICdirect

Technical Support is available at:

www.ams.com/Technical-Support

Provide feedback about this document at:

www.ams.com/Document-Feedback

For further information and requests, e-mail us at:

ams_sales@ams.com

For sales offices, distributors and representatives, please visit:

www.ams.com/contact

Headquarters

ams AG
Tobelbaderstrasse 30
8141 Unterpremstaetten
Austria, Europe

Tel: +43 (0) 3136 500 0

Website: www.ams.com

RoHS Compliant & ams Green Statement

RoHS: The term RoHS compliant means that ams AG products fully comply with current RoHS directives. Our semiconductor products do not contain any chemicals for all 6 substance categories, including the requirement that lead not exceed 0.1% by weight in homogeneous materials. Where designed to be soldered at high temperatures, RoHS compliant products are suitable for use in specified lead-free processes.

ams Green (RoHS compliant and no Sb/Br): ams Green defines that in addition to RoHS compliance, our products are free of Bromine (Br) and Antimony (Sb) based flame retardants (Br or Sb do not exceed 0.1% by weight in homogeneous material).

Important Information: The information provided in this statement represents ams AG knowledge and belief as of the date that it is provided. ams AG bases its knowledge and belief on information provided by third parties, and makes no representation or warranty as to the accuracy of such information. Efforts are underway to better integrate information from third parties. ams AG has taken and continues to take reasonable steps to provide representative and accurate information but may not have conducted destructive testing or chemical analysis on incoming materials and chemicals. ams AG and ams AG suppliers consider certain information to be proprietary, and thus CAS numbers and other limited information may not be available for release.

Copyrights & Disclaimer

Copyright ams AG, Tobelbader Strasse 30, 8141 Unterpremstaetten, Austria-Europe. Trademarks Registered. All rights reserved. The material herein may not be reproduced, adapted, merged, translated, stored, or used without the prior written consent of the copyright owner.

Devices sold by ams AG are covered by the warranty and patent indemnification provisions appearing in its General Terms of Trade. ams AG makes no warranty, express, statutory, implied, or by description regarding the information set forth herein. ams AG reserves the right to change specifications and prices at any time and without notice. Therefore, prior to designing this product into a system, it is necessary to check with ams AG for current information. This product is intended for use in commercial applications. Applications requiring extended temperature range, unusual environmental requirements, or high reliability applications, such as military, medical life-support or life-sustaining equipment are specifically not recommended without additional processing by ams AG for each application. This product is provided by ams AG "AS IS" and any express or implied warranties, including, but not limited to the implied warranties of merchantability and fitness for a particular purpose are disclaimed.

ams AG shall not be liable to recipient or any third party for any damages, including but not limited to personal injury, property damage, loss of profits, loss of use, interruption of business or indirect, special, incidental or consequential damages, of any kind, in connection with or arising out of the furnishing, performance or use of the technical data herein. No obligation or liability to recipient or any third party shall arise or flow out of ams AG rendering of technical or other services.

Document Status

Document Status	Product Status	Definition
Product Preview	Pre-Development	Information in this datasheet is based on product ideas in the planning phase of development. All specifications are design goals without any warranty and are subject to change without notice
Preliminary Datasheet	Pre-Production	Information in this datasheet is based on products in the design, validation or qualification phase of development. The performance and parameters shown in this document are preliminary without any warranty and are subject to change without notice
Datasheet	Production	Information in this datasheet is based on products in ramp-up to full production or full production which conform to specifications in accordance with the terms of ams AG standard warranty as given in the General Terms of Trade
Datasheet (discontinued)	Discontinued	Information in this datasheet is based on products which conform to specifications in accordance with the terms of ams AG standard warranty as given in the General Terms of Trade, but these products have been superseded and should not be used for new designs

Revision Information

Changes from 149C (2012-Aug) to current revision 1-00 (2015-Mar-23)	Page
Content of TAOS datasheet was converted to the latest ams design	

1. Page and figure numbers for the previous version may differ from page and figure numbers in the current revision
2. Correction of typographical errors is not explicitly mentioned.

Content Guide

1	General Description
2	Key Benefits & Features
2	Applications
3	End Products and Market Segments
3	Block Diagram
4	Detailed Description
5	Pin Assignments
6	Absolute Maximum Ratings
7	Electrical Characteristics
11	Parameter Measurement Information
12	Typical Operating Characteristics
14	Principles of Operation
14	System State Machine
15	Proximity Detection
17	Interrupts
18	State Diagram
19	Power Management
20	I ² C Protocol
21	Register Set
22	Command Register
23	Enable Register (0x00)
23	Proximity Time Control Register (0x02)
24	Wait Time Register (0x03)
24	Proximity Interrupt Threshold Register (0x08 - 0x0B)
25	Persistence Register (0x0C)
25	Configuration Register (0x0D)
26	Proximity Pulse Count Register (0x0E)
27	Control Register (0x0F)
28	Revision Register (0x11)
28	ID Register (0x12)
29	Status Register (0x13)
29	Proximity Data Register (0x18 - 0x19h)
30	Proximity Offset Register (0x1E)
31	Application Information: Hardware
31	LED Driver Pin with Proximity Detection
33	PCB Pad Layout
34	Package Information
35	Carrier Tape & Reel Information
36	Soldering & Storage Information
36	Soldering Information
37	Storage Information
37	Moisture Sensitivity
38	Ordering & Contact Information
39	RoHS Compliant & ams Green Statement
40	Copyrights & Disclaimer
41	Document Status
42	Revision Information