

THE INFORMATION CONTAINED HEREIN IS CONSIDERED "PROPRIETARY" TO BEL FUSE INC. AND SHALL NOT BE COPIED, REPRODUCED OR DISCLOSED WITHOUT THE WRITTEN APPROVAL OF BEL FUSE INC.

PRELIMINARY

RoHS
2002/95/EC



ELECTRICAL CHARACTERISTICS @ 25°C

- 1.0 TURNS RATIO: (P6-P5-P4) : (J6-J3) : 1CT : 1CT ± 3%
- (P3-P2-P1) : (J2-J1) : 1CT : 1CT ± 3%
- 2.0 INDUCTANCE: (P6-P4) : 350uH MIN. @ 0.1V, 100KHz, 8mA DC Bias
- (P3-P1) : 350uH MIN. @ 0.1V, 100KHz, 8mA DC Bias
- 3.0 LEAKAGE INDUCTANCE: P6-P4 (WITH J6 AND J3 SHORT) : 0.3 MAX. @ 1MHz
- P3-P1 (WITH J2 AND J1 SHORT) : 0.3 MAX. @ 1MHz
- 4.0 INTERWINDING CAPACITANCE: (P6,P5,P4) TO (J6,J3) : 30pF MAX @ 1MHz
- (P3,P2,P1) TO (J2,J1) : 30pF MAX. @ 1MHz
- 5.0 DC RESISTANCE: (J6-J3)=(J2-J1) : 1.2 ohms Max.

RECEIVE

- 6.0 RETURN LOSS: 1MHz TO 30MHz : 18dB MIN.
- 60MHz TO 80MHz : 12dB MIN.

NOTE: 100 OHMS CONNECTED TO (J2-J1) OR (J6-J3).

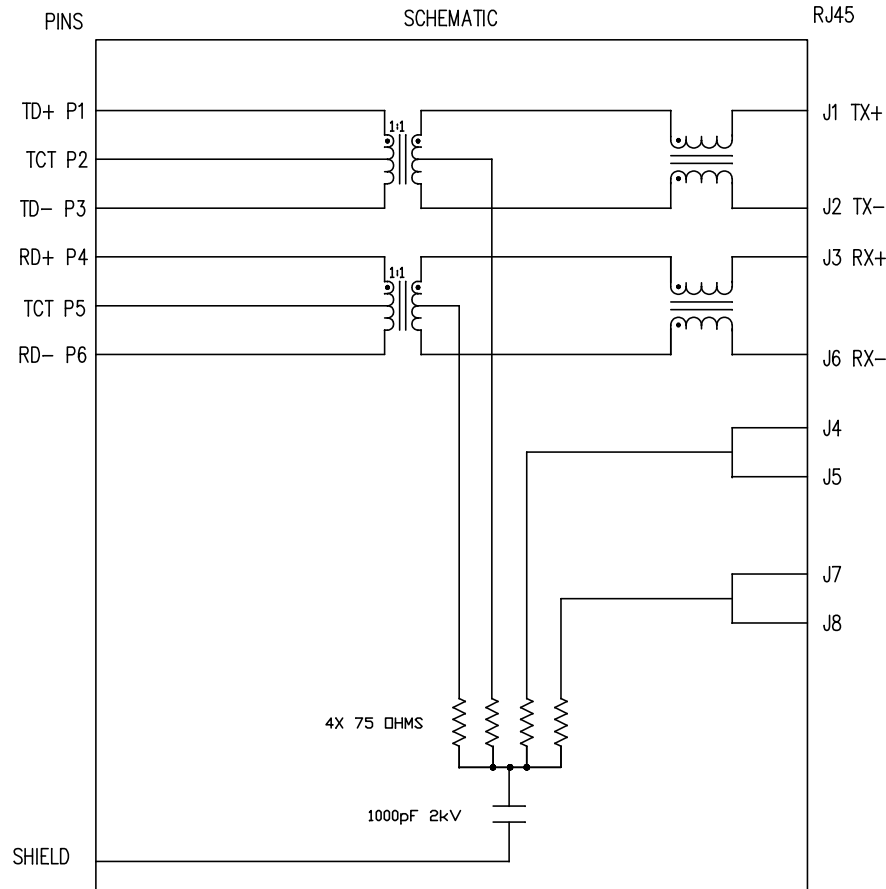
- 7.0 DIELECTRIC WITHSTAND: (J1, J2) TO (P1, P3) : 1500 Vrms
- (J3, J6) TO (P4,P6) : 1500 Vrms

- 8.0 INSERTION LOSS: RS=RL=100 ohms : 1.1 dB TYP
- 100KHz TO 100MHz

- 9.0 RISE TIME: RS=100 OHMS AND RL = 100 OHMS : 3.0 nS MAX
- OUTPUT VOLTAGE = 1 V peak : 3.0 nS MAX
- PULSE WIDTH= 112nS

- 10.0 CROSS TALK: 1MHz TO 100MHz : 40 dB TYP

- 11.0 COMMON TO COMMON MODE ATTENUATION: : 35dB TYP
- 30MHz TO 100MHz



NOTES

- 1.0 PINS WITHOUT ELECTRICAL CONNECTION ARE OMITTED.

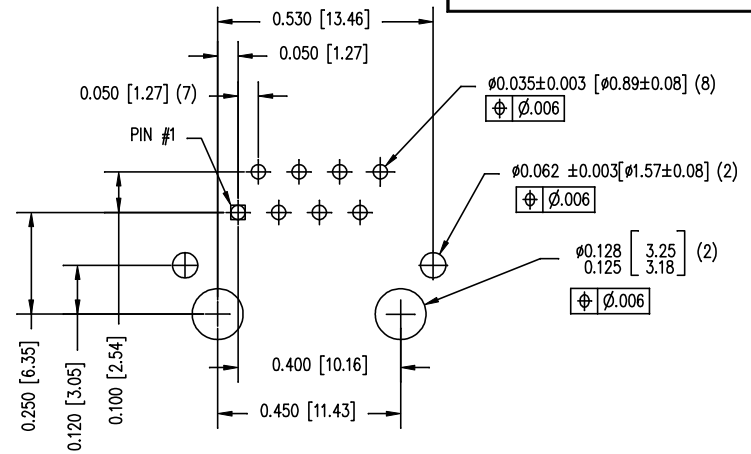
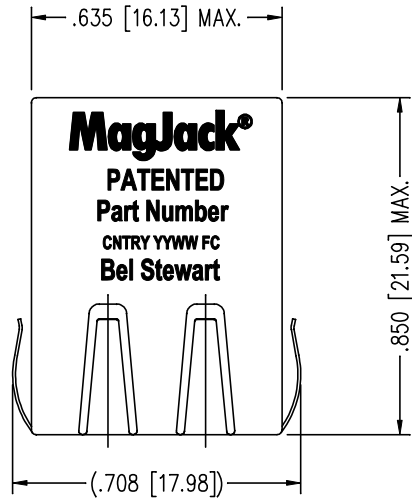
ORIGINATED BY	DATE	TITLE	PART NO. / DRAWING NO.	STANDARD DIM.	[] METRIC DIM. AS REFERENCE		 COMPONENTS FOR A CONNECTED PLANET
ZL WANG	11-03-09	MagJack® 10/100BT TAB DOWN, SHIELDED PATENTED	SI-60097-F	TOL. IN INCH	UNIT : INCH [mm]	REV. : X1	
DRAWN BY	DATE		FILE NAME	.X	SCALE : N/A	SIZE : A4	
RS ZHANG	11-03-09		SI-60097-F.DWG	.XX	±0.005	PAGE : 2	
				.XXX			

THE INFORMATION CONTAINED HEREIN IS CONSIDERED "PROPRIETARY" TO BEL FUSE INC. AND SHALL NOT BE COPIED, REPRODUCED OR DISCLOSED WITHOUT THE WRITTEN APPROVAL OF BEL FUSE INC.

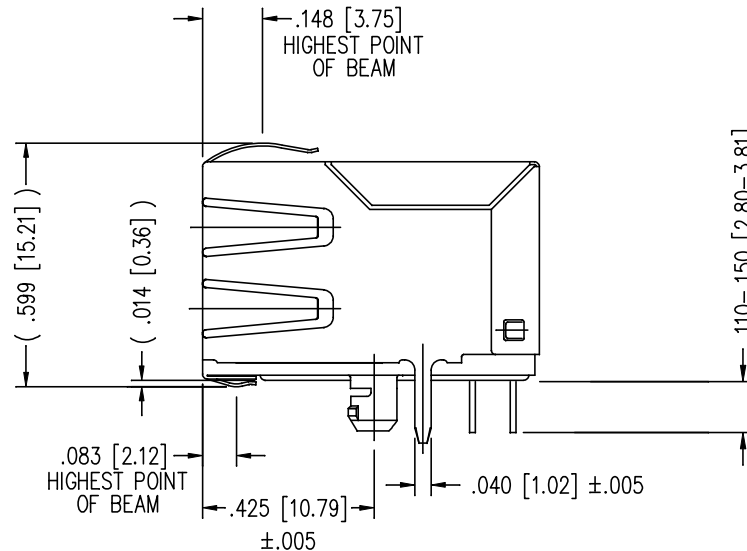
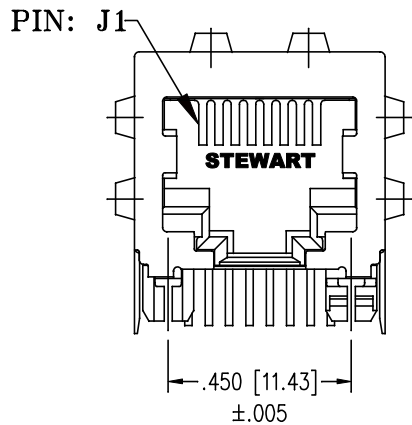
RoHS
2002/95/EC



PRELIMINARY



P.C.B. RECOMMENDED HOLE LAYOUT SEEN FROM COMPONENT SIDE. ALL CENTERLINE DIMENSIONS ARE BASIC.



NOTES:

- CONNECTOR MATERIALS:
HOUSING: THERMOPLASTIC UL94 V-0
CONTACT/SHIELD: COPPER ALLOY
SHIELD PLATING: NICKEL OR TIN
CONTACT PLATING: SELECTIVE GOLD, 50 MICRO-INCHES MIN. IN CONTACT AREA.
- PIN NOT ELECTRICALLY CONNECTED MAYBE OMITTED. SEE ELECTRICAL DRAWING FOR OMITTED PINS.
- TOLERANCES COMPLY WITH F.C.C. DIMENSION REQUIREMENTS.
- ALL TOLERANCES NOT OTHERWISE SPECIFIED TO BE ±.005 [0.13]
- WAVE SOLDER COMPATIBLE - PREHEAT 125°C/90SECS.

ORIGINATED BY	DATE
ZL WANG	11-03-09
DRAWN BY	DATE
RS ZHANG	11-03-09

TITLE	MagJack® 10/100BT TAB DOWN, SHIELDED PATENTED
-------	---------------------------------------------------------------

PART NO. / DRAWING NO.	SI-60097-F
FILE NAME	SI-60097-F.DWG

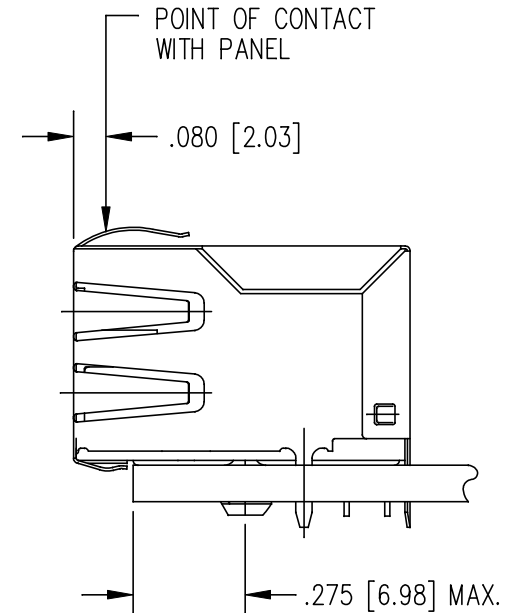
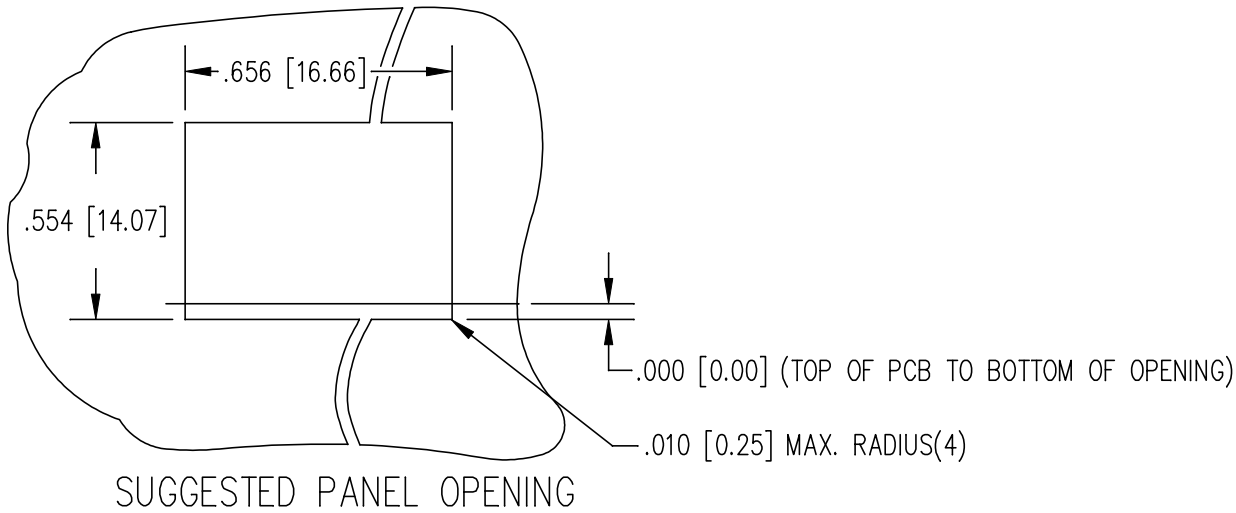
STANDARD DIM.	[] METRIC DIM. AS REFERENCE
TOL. IN INCH	UNIT : INCH [mm]
.X	REV. : X1
.XX	SCALE : N/A
.XXX	SIZE : A4
±0.005	PAGE : 3

[] METRIC DIM. AS REFERENCE	UNIT : INCH [mm]	REV. : X1
SCALE : N/A	SIZE : A4	PAGE : 3



THE INFORMATION CONTAINED HEREIN IS CONSIDERED "PROPRIETARY" TO BEL FUSE INC. AND SHALL NOT BE COPIED, REPRODUCED OR DISCLOSED WITHOUT THE WRITTEN APPROVAL OF BEL FUSE INC.

PRELIMINARY



1. THE SUGGESTED PANEL OPENING IS INTENDED TO GIVE THE USER THE ABILITY TO HAVE REASONABLE JACK / PANEL CLEARANCES YET MAINTAIN RELIABLE GROUNDING CAPABILITY.
2. ALL TOLERANCES NOT OTHERWISE SPECIFIED TO BE ± 0.005 [0.13]

ORIGINATED BY	DATE	TITLE	PART NO. / DRAWING NO.	STANDARD DIM. TOL. IN INCH	[] METRIC DIM. AS REFERENCE	
ZL WANG	11-03-09	MagJack® 10/100BT TAB DOWN, SHIELDED PATENTED	SI-60097-F	.X	UNIT : INCH [mm]	REV. : X1
DRAWN BY	DATE		FILE NAME	.XX	SCALE : N/A	SIZE : A4
RS ZHANG	11-03-09		SI-60097-F.DWG	.XXX	± 0.005	PAGE : 4

