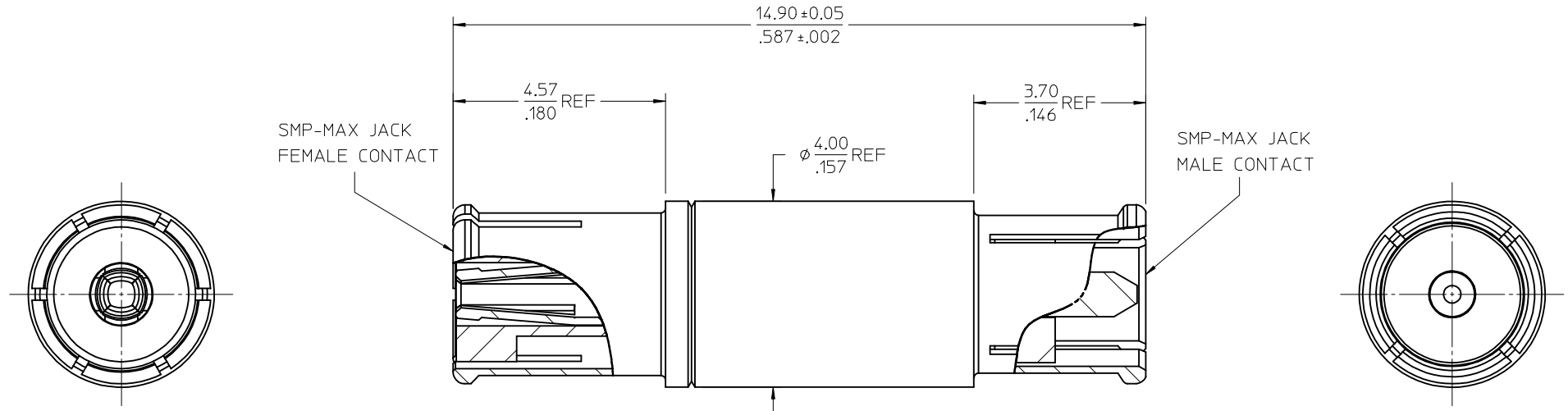
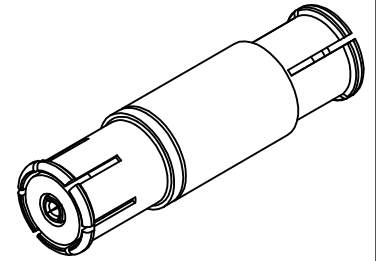


MATERIALS AND FINISHES:

BODY, CONTACT: BERYLLIUM COPPER
 PLATED: GOLD (8μ-in MIN)
 OVER NICKEL PHOSPHOR (80μ-in MIN)

INSULATORS: PTFE



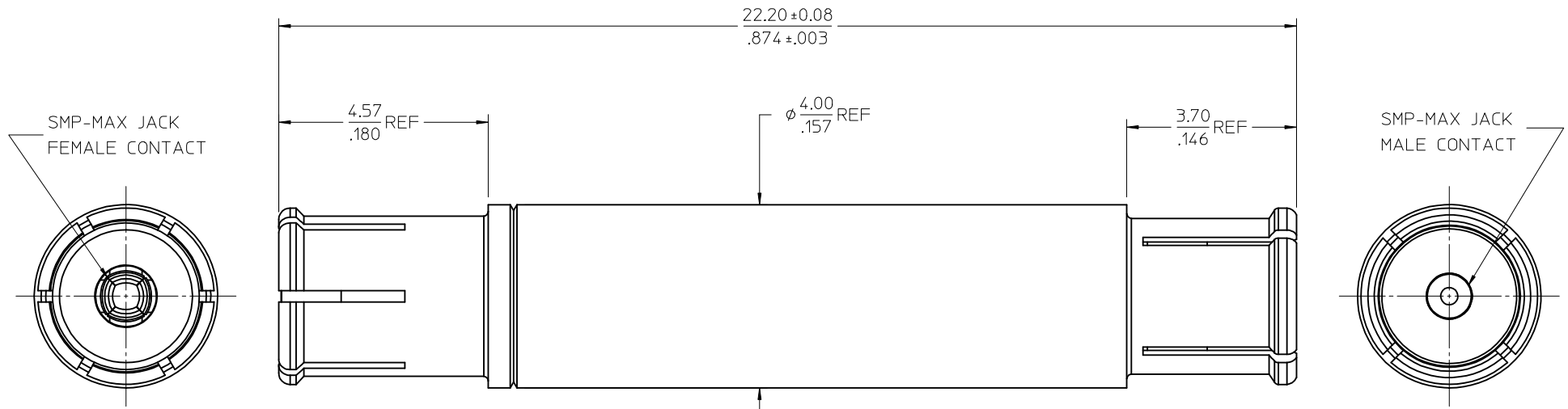
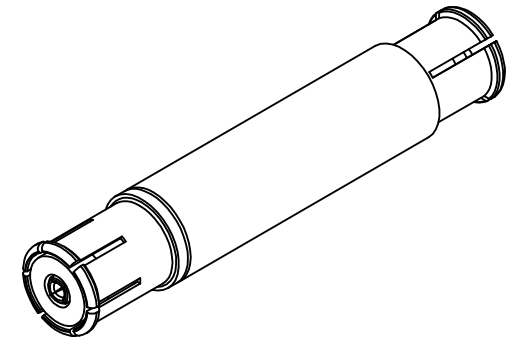
PART # 73420-0210

PS-89675-3760	ELEC/MECH PERFORMANCE	CHG: ADD TOLERANCE TO DIM 14.90/587 IN H7 ZONE OF SHT 1 & TO DIM 22.20/874 IN H7 ZONE OF SHT 2. UPD MATERIALS AND FINISHES NOTE. EC NO: URF2017-0447 DRWINAPRAKASH01 2017/06/13 CHKD:BBB 2017/06/13 APPR:AROBERTSON 2017/06/28	QUALITY SYMBOLS ∇=0 ∇=0 ∇=0	GENERAL TOLERANCES (UNLESS SPECIFIED)		DIMENSION STYLE MM/IN		SCALE	DESIGN UNITS METRIC	THIRD ANGLE PROJECTION
				4 PLACES ± --- ± ---	3 PLACES ± --- ± .010	2 PLACES ± 0.25 ± ---	1 PLACE ± --- ± ---	0 PLACE ± --- ± ---	ANGULAR ± 2 °	DRAFT WHERE APPLICABLE MUST REMAIN WITHIN DIMENSIONS
SPECIFICATION	DESCRIPTION	B2	REV	MATERIAL NO. 734200210		SIZE C		THIS DRAWING CONTAINS INFORMATION THAT IS PROPRIETARY TO MOLEX INCORPORATED AND SHOULD NOT BE USED WITHOUT WRITTEN PERMISSION		

MATERIALS AND FINISHES:

BODY, CONTACT: BERYLLIUM COPPER
 PLATED: GOLD (8μ-in MIN)
 OVER NICKEL PHOSPHOR (80μ-in MIN)

INSULATORS: PTFE



PART # 73420-0211

PS-89675-3760	ELEC/MECH PERFORMANCE	CHG: SEE SHEET 1 EC NO: URF-2017-0417 DRAWN: PRAKASHO1 2017/06/13 CHKD: BBB 2017/06/13 APPR: AROBERTSON 2017/06/28	DESCRIPTION	QUALITY SYMBOLS	GENERAL TOLERANCES (UNLESS SPECIFIED)		DIMENSION STYLE		SCALE	DESIGN UNITS	THIRD ANGLE PROJECTION
					mm	INCH	MM/IN	METRIC	⊘		
SPECIFICATION	DESCRIPTION	B2	REV	▽=0	4 PLACES	± .010	± .010	DRAWN BY	DATE	TITLE	
					3 PLACES	± .010	± .010	AROBERTSON	2010/04/21	50 OHM SMP-MAX FEMALE TO SMP-MAX MALE BULLET	
				▽=0	2 PLACES	± 0.25	± .010	CHECKED BY	DATE	SMPMAX-BULLET, EWR-4362	
				▽=0	1 PLACE	± .010	± .010	SSS	2010/04/24		
				▽=0	0 PLACE	± .010	± .010	APPROVED BY	DATE		
					ANGULAR ± 2 °		MATERIAL NO.		DOCUMENT NO.		SHEET NO.
					DRAFT WHERE APPLICABLE MUST REMAIN WITHIN DIMENSIONS		734200211		SD-73420-021		2 OF 2
THIS DRAWING CONTAINS INFORMATION THAT IS PROPRIETARY TO MOLEX INCORPORATED AND SHOULD NOT BE USED WITHOUT WRITTEN PERMISSION											