

# 910/911 Series Lampholders for 900/901 Cartridge Lamps

## Overview

The 910 Series relampable lampholders accept any 900 Series cartridge lamp. These lampholders are of ruggedized construction and are supplied with mounting hardware.

## Approvals

UL Recognized.

## Specifications

**Housing and Knurled Ring Nut:** Aluminum. Black anodized finish standard. Clear anodized finish optional. Other finishes available on special request. A mounting wrench, #097013, is available for tightening the knurled ring nuts.

**Hex Nut:** Brass; nickel finish.

**Internal Tooth Lockwasher:** Nickel-plated finish.

**Terminal Insulator:** High dielectric composition.

**Terminals:** Solder cup, turret pin or solder lug.

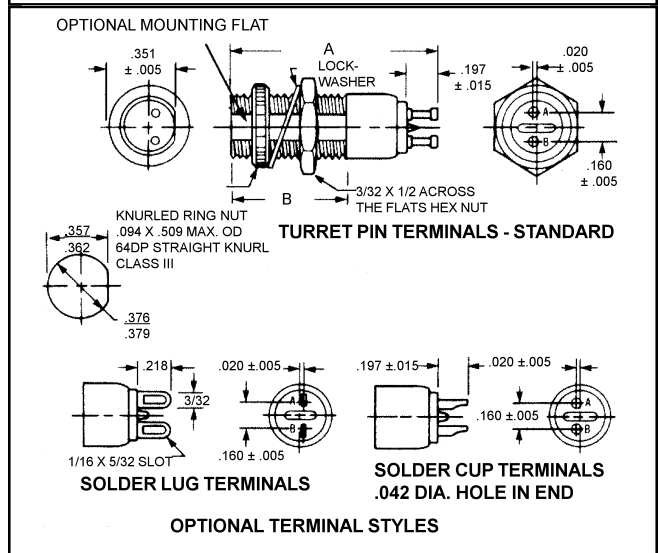
**Socket:** Brass. Bright nickel-plated.

**Lens Cap:** Heat resistant, high strength polycarbonate.

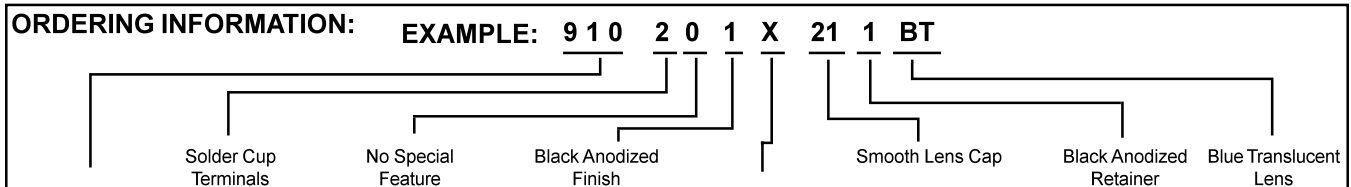
**Lens Marking:** Lens style 21 maybe be stamped.

Contact factory.

**910 Series Maximum Rating:** 3 Watts, 125 Volts.



Lampholder Body	Dimension in Inches	
	A	B
910	1.203 Max.	9/16
911	1.281 Max.	5/8



Series Number	Cartridge Lampholders				Lens Caps and Collars		
	Termination	Features	Finish	Resistor	Lens Style	Retainer Finish	Lens Color
910	2 Solder Cup	0 None	1 Black Anodized - Standard	X None Required	21 Smooth Lens	1 Black Anodized	Nondiffusing (Clear)
	4 Solder Lug	1 D Hole Mounting			27 Fluted Lens (Nondiffusing Colors Only)		AN Amber BN <sup>2</sup> Blue CN Colorless GN <sup>2</sup> Green RN Red WN White (Cloudy) YN Yellow
					23 <sup>1</sup> Collar	2 Clear (Silver) Anodized	
					24 <sup>1</sup> Collar		

<sup>1</sup> No lens color specified. Use XX in lens color slot. Example: 901-201X-231XX.  
<sup>2</sup> Use with blue or green neon lamps in the 911 series. Not for use with neon cartridge lamps in the 910 series.  
<sup>3</sup> Not recommended for use with neon cartridge lamps.