



ON Semiconductor®

ON Semiconductor DATA SHEET

LB11983 — Monolithic Digital IC For Fan Motor Driver for Refrigerator 3-Phase Sensorless Motor Driver

Overview

The LB11983 is a 3-phase full-wave current linear sensorless motor driver. It is optimal for refrigerator fan motor drive.

Features

- Current linear driving technique.
- Current limiter circuit.
- Over saturation prevention circuit for output stage.
- Provides coil back EMF FG output.
- Thermal shutdown circuit.
- Beat lock pervention circuit.

Specifications

Maximum Ratings at Ta = 25°C

Parameter	Symbol	Conditions	Ratings	Unit
Supply voltage	V _{CC} max		14.5	V
Output application voltage	V _O max		14.5	V
Input application voltage	V _I max		-0.3 to V _{CC} +0.3	V
Output current	I _O max		1.0	A
Allowable power dissipation	P _d max	Independent IC	1.0	W
Operating temperature	T _{opr}		-30 to +85	°C
Storage temperature	T _{stg}		-55 to +150	°C

Operating Conditions at Ta = 25°C

Parameter	Symbol	Conditions	Ratings	Unit
Supply voltage	V _{CC}		7 to 13.8	V

LB11983

Electrical Characteristics at $T_a = 25^\circ\text{C}$, $V_{CC} = 12\text{V}$

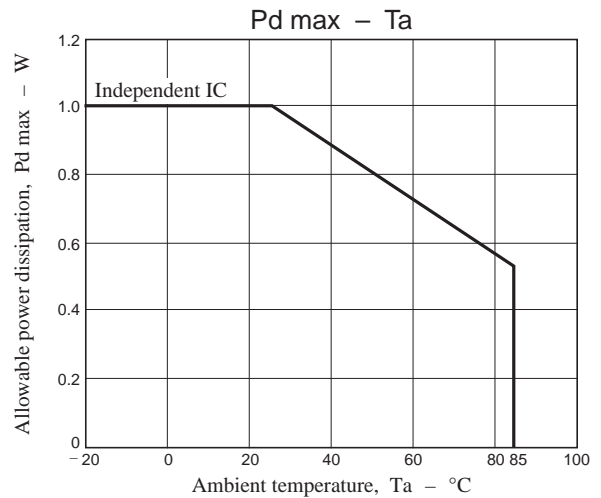
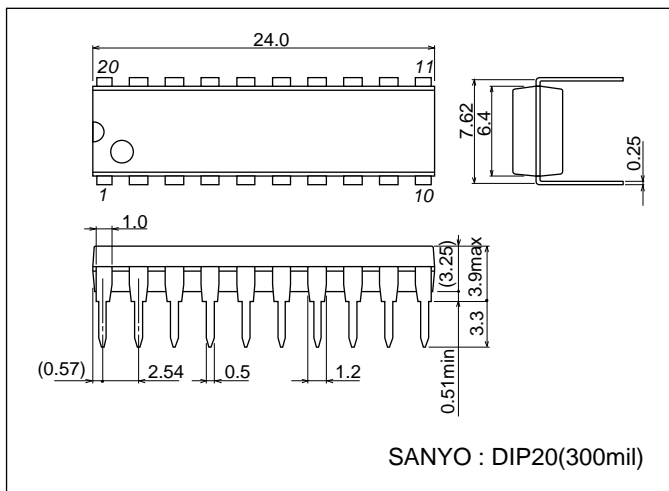
Parameter	Symbol	Conditions	Ratings			Unit
			min	typ	max	
Supply current	I_{CC}	$V_C = V_{CC}$		20	30	mA
Output saturation voltage 1	V_{Osat1}	$I_O = 0.4\text{A}$, Source + Sink		1.4	2.0	V
Output saturation voltage 2	V_{Osat2}	$I_O = 0.8\text{A}$, Source + Sink, $R_F = 0\Omega$		1.8	2.6	V
MCOM pin common-mode input voltage range	VIC		0		$V_{CC}-2$	V
PCOUT output current 1	IPCOU	Source side		-90		μA
PCOUT output current 2	IPCOD	Sink side		90		μA
VCOIN input current	IVCOIN	VCOIN = 5V		0.1	0.2	μA
VCO minimum frequency	fVCOMIN	VCOIN = open		400		Hz
VCO maximum frequency	fVCOMAX	VCOIN = 5V		18.5		kHz
C1, C2 source current ratio	RSOURCE	IC1SOURCE/IC2SOURCE	-12		+12	%
C1, C2 sink current ratio	RSINK	IC1SINK/IC2SINK	-12		+12	%
C1 source and sink current ratio	RC1	IC1SOURCE/IC1SINK	-35		+15	%
C2 source and sink current ratio	RC2	IC2SOURCE/IC2SINK	-35		+15	%
Counter FG output ON volt	V_{OL}				0.4	V
Counter FG output OFF vol	V_{OH}		4			V
Thermal shutdown operating temperature	TTSD	Design target value *	150	180	210	$^\circ\text{C}$
Thermal shutdown hysteresis	ΔTTSD	Design target value *		15		$^\circ\text{C}$

Note : * These items are design target values and are not tested.

Package Dimensions

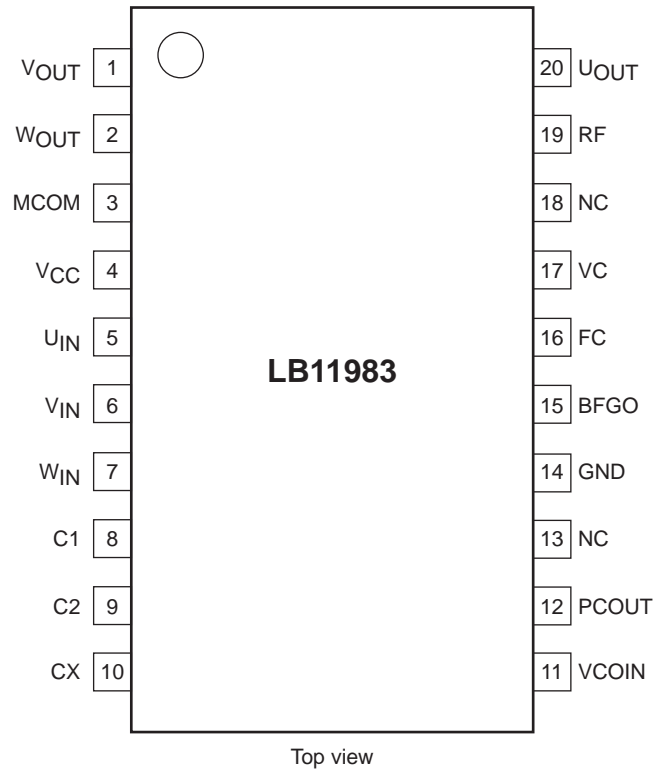
unit : mm (typ)

3021C



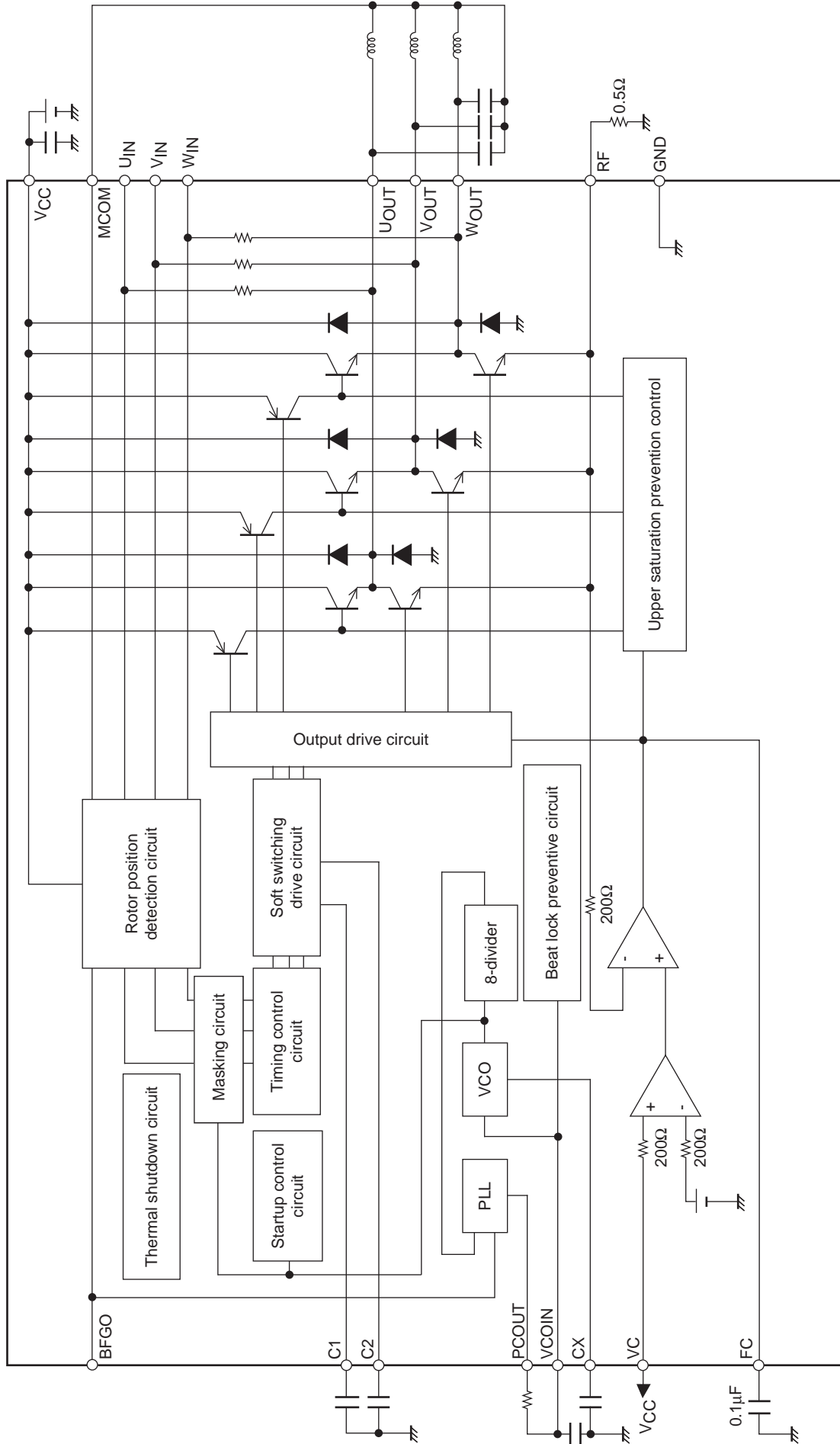
LB11983

Pin Assignment



LB11983

Block Diagram (External constant may vary depending on the motor used.)



Pin Functions

Pin No.	Pin name	Function	Equivalent circuit
20	U _{OUT}	Drum motor driver output pin.	
1	V _{OUT}		
2	W _{OUT}		
19	RF	Minimum potential of the drum motor driver output transistor. This voltage is detected for constant current control. The current limiter is also activated upon detection of this potential.	
4	V _{CC}	Power supply pin. (8 to 13.8V)	
3	MCOM	Middle point input pin of motor coil. The coil waveform is detected with reference to this voltage.	
5	U _{IN}	Input pin of the coil waveform detection comparator. Connected to each phase output with a built-in resistor of 10kΩ	
6	V _{IN}		
7	W _{IN}		
8	C1	Triangular wave generating capacitor connection pin. This triangular wave causes soft switching of coil output waveform.	
9	C2		
10	CX	The operating frequency range and minimum operating frequency are determined from the value of capacitor connected to this pin and GND in the VCO circuit.	
11	VCOIN	VCO circuit voltage input pin. Inputs the PCOUT pin voltage through CR filtering.	

Continued on next page.

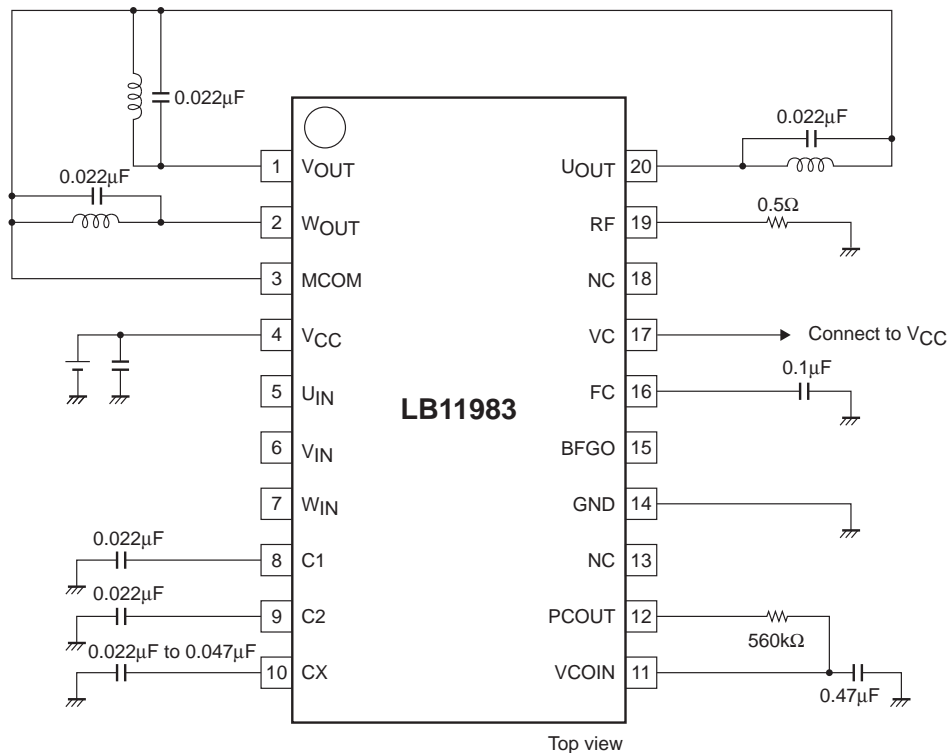
LB11983

Continued from preceding page.

Pin No.	Pin name	Function	Equivalent circuit
12	PCOUT	VCO circuit PLL output pin.	
14	GND	GND for others than the output transistor.	
15	BFGO	FG output to detect motor reverse feeder voltage. (Composition of three phases)	
16	FC	Frequency characteristics compensation pin. Insertion of a capacitor between this pin and GND stops oscillation of the current control closed loop.	
17	VC	Speed control pin. The control is a constant-current control under current feedback from RF. Normally, this pin is connected to V _{CC} for use.	

LB11983

Sample Application Circuit (Reference)



- Notes
1. Be sure to connect the VC pin to VCC directly before use.
 2. For the constant of capacitor, etc., our value established through examination is given for reference. Adjust the value according to the motor to be used when considering this IC.
 3. If the output is not oscillated with the motor used, a capacitor inserted between output coil ends is not necessary.
 4. Pins 5 through 7 (UIN, VIN, and WIN) are not to be used by a user. These are connected inside IC and should always be kept independent and open.
 5. NC pins (14 and 18) are not connected inside IC and can be used as relay pins.

ON Semiconductor and the ON logo are registered trademarks of Semiconductor Components Industries, LLC (SCILLC). SCILLC reserves the right to make changes without further notice to any products herein. SCILLC makes no warranty, representation or guarantee regarding the suitability of its products for any particular purpose, nor does SCILLC assume any liability arising out of the application or use of any product or circuit, and specifically disclaims any and all liability, including without limitation special, consequential or incidental damages. SCILLC strives to supply high-quality high-reliability products and recommends adopting safety measures when designing equipment to avoid accidents or malfunctions. Such measures include but are not limited to protective circuits and error prevention circuits for safe design, redundant design, and structural design. "Typical" parameters which may be provided in SCILLC data sheets and/or specifications can and do vary in different applications and actual performance may vary over time. All operating parameters, including "Typicals," must be validated for each customer application by customer's technical experts. SCILLC shall not be held liable for any claim or suits with regard to a third party's intellectual property rights which has resulted from the use of the technical information and products mentioned above. SCILLC does not convey any license under its patent rights nor the rights of others. SCILLC products are not designed, intended, or authorized for use as components in systems intended for surgical implant into the body, or other applications intended to support or sustain life, or for any other application in which the failure of the SCILLC product could create a situation where personal injury or death may occur. Should Buyer purchase or use SCILLC products for any such unintended or unauthorized application, Buyer shall indemnify and hold SCILLC and its officers, employees, subsidiaries, affiliates, and distributors harmless against all claims, costs, damages, and expenses, and reasonable attorney fees arising out of, directly or indirectly, any claim of personal injury or death associated with such unintended or unauthorized use, even if such claim alleges that SCILLC was negligent regarding the design or manufacture of the part. SCILLC is an Equal Opportunity/Affirmative Action Employer. This literature is subject to all applicable copyright laws and is not for resale in any manner.

PUBLICATION ORDERING INFORMATION

LITERATURE FULFILLMENT:

Literature Distribution Center for ON Semiconductor
P.O. Box 5163, Denver, Colorado 80217 USA
Phone: 303-675-2175 or 800-344-3860 Toll Free USA/Canada
Fax: 303-675-2176 or 800-344-3867 Toll Free USA/Canada
Email: orderlit@onsemi.com

N. American Technical Support: 800-282-9855 Toll Free
USA/Canada

Europe, Middle East and Africa Technical Support:
Phone: 421 33 790 2910

Japan Customer Focus Center
Phone: 81-3-5773-3850

ON Semiconductor Website: www.onsemi.com

Order Literature: <http://www.onsemi.com/orderlit>

For additional information, please contact your local Sales Representative