

Data Sheet



I-SEAL GASKET

Features

- Made of environmentally robust MPR ALCRYN 2080 NC material
- Diameter 7.25mm, height 2.05mm
- ISO 2881 qualified
- EN-13319 qualified for aging with extended period of time
- Proof pressure 10bar
- Built-in cover to protect sensing element against sharp objects and direct light
- Designed to allow easy assembly

Applications

- Waterproof watches and bicycle computers
- GPS devices
- Weather stations
- Reference pressure devices
- Level gauging applications

Benefits

- Enables space-saving waterproof sealing solution design
- Combines component sealing and protection functions in one piece

Ordering Information

Product	Description
SCP1000 GA/1k	SCP1000 I-seal gasket, 1000 pcs
SCP1000 GA/50	SCP1000 I-seal gasket, 50 pcs

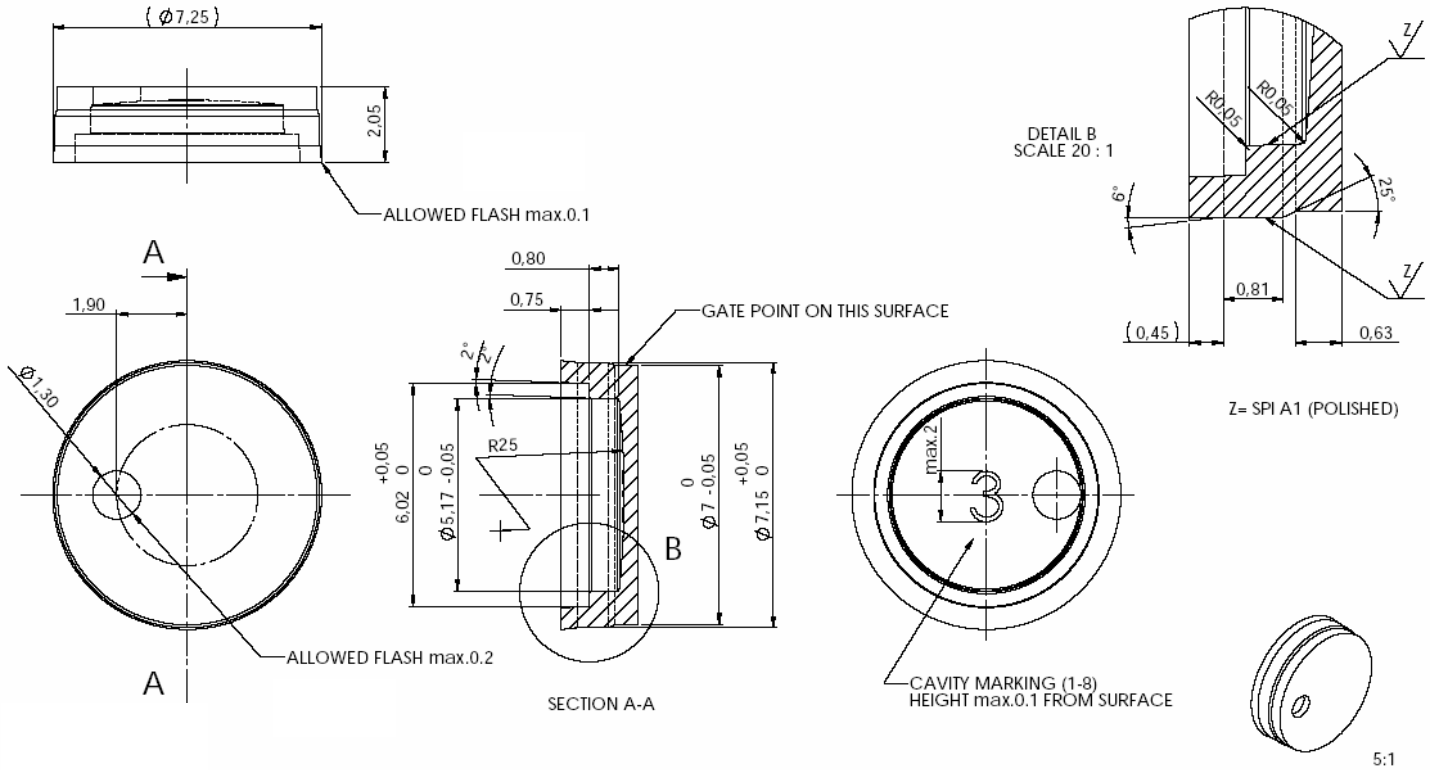
Absolute Maximun Ratings

Parameter	Value	Unit
Proof pressure	10	Bar
Diameter of the mounting seat	7.00+/-0.02	mm
Depth of the mounting seat	2.05+/-0.05	mm
Operating temperature	-30...+70	°C
Surface quality of the gasket's seat (finished min.)	1.6	Ra

Material Information

Product	Description
I-Seal Gasket	MPR ALCRYN 2080 NC Black

Dimensions



Document Revision History

Version	Date	Change Description
0.01	21.08.2007	Initial release