

# Fiber Optic Transmitter

OPF345A

Obsolete (OPF345C)



## Features:

- Low Cost 850 nm LED technology
- Electrically isolated plastic cap package
- High thermal stability
- High optical coupling efficiency to multimode fiber
- Industrial temperature range
- 75 MHz Bandwidth



## Description:

The OPF345A fiber optic transmitters are high performance devices packaged for data communication links. This transmitter is an 850 nm GaAlAs LED and is specifically designed to efficiently launch optical power into fibers ranging in size from 50/125  $\mu\text{m}$  up to 200/300  $\mu\text{m}$  diameter fiber. Multiple power ranges with upper and lower limits are offered which allows the designer to select a device best suited for the application.

This product's combination of features including high speed and efficient coupled power makes it an ideal transmitter for integration into all types of data communications equipment.

## Applications:

- Industrial Ethernet equipment
- Copper-to-fiber media conversion
- Intra-system fiber optic links
- Video surveillance systems

Fiber Size	Type	N.A.	Typical Coupled Power $I_f = 100 \text{ mA}, 25^\circ \text{ C}$
50/125 $\mu\text{m}$	Graded Index	0.20	25 $\mu\text{W}$
62.5/125 $\mu\text{m}$	Graded Index	0.28	45 $\mu\text{W}$
100/140 $\mu\text{m}$	Graded Index	0.29	125 $\mu\text{W}$
200/300 $\mu\text{m}$	Step Index	0.41	475 $\mu\text{W}$



RoHS

## General Note

TT Electronics reserves the right to make changes in product specification without notice or liability. All information is subject to TT Electronics' own data and is considered accurate at time of going to print.

TT Electronics | OPTEK Technology  
2900 E. Plano Pkwy, Plano, TX 75074 | Ph: +1 972 323 2200  
www.ttelectronics.com | sensors@ttelectronics.com

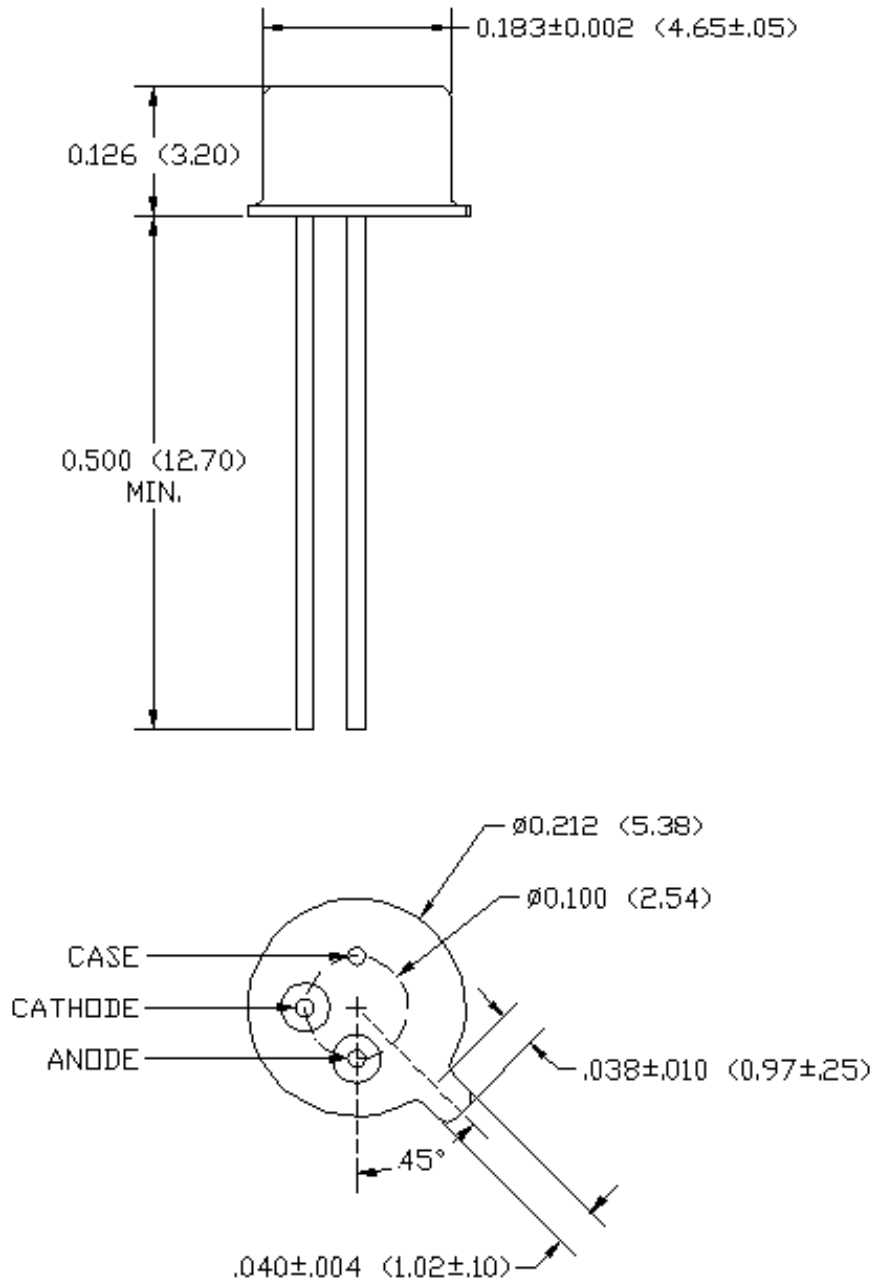
# Fiber Optic Transmitter

OPF345A

Obsolete (OPF345C)



## Mechanical Data



DIMENSIONS ARE IN INCHES (MILLIMETERS)

General Note  
TT Electronics reserves the right to make changes in product specification without notice or liability. All information is subject to TT Electronics' own data and is considered accurate at time of going to print.

TT Electronics | OPTEK Technology  
2900 E. Plano Pkwy, Plano, TX 75074 | Ph: +1 972 323 2200  
www.ttelectronics.com | sensors@ttelectronics.com

# Fiber Optic Transmitter

OPF345A

Obsolete (OPF345C)



## Electrical Specifications

**Absolute Maximum Ratings** ( $T_A = 25^\circ\text{C}$  unless otherwise noted)

Storage Temperature Range	-55° C to +150° C
Operating Temperature Range	-40° C to +125° C
Lead Soldering Temperature <sup>(1)</sup>	260° C
Continuous Forward Current <sup>(2)</sup>	100 mA
Maximum Reverse Voltage	1.0 V

**Electrical Characteristics** ( $T_A = 25^\circ\text{C}$  unless otherwise noted)

SYMBOL	PARAMETER	MIN	TYP	MAX	UNITS	TEST CONDITIONS
$P_{T50}^{(3)}$	Total Coupled Power 50/125 mm Fiber NA = 0.20	20.0	25.0	—	$\mu\text{W}$	$I_F = 100\text{ mA}$
$V_F$	Forward Voltage	—	1.8	2.2	V	$I_F = 100\text{ mA}$
$V_R$	Reverse Voltage	1.8	—	—	V	$I_R = 100\ \mu\text{A}$
$\lambda$	Wavelength	830	850	870	nm	$I_F = 50\text{ mA}$
$\Delta\lambda$	Optical Bandwidth	—	35	—	nm	$I_F = 50\text{ mA}$
$t_r, t_f$	Rise and Fall Time	—	3.5	4.5	ns	$I_F = 100\text{ mA}; 10\% \text{ to } 90\%^{(4)}$

### Notes:

1. Maximum of 5 seconds with soldering iron. Duration can be extended to 10 seconds when flow soldering. RMA flux is recommended.
2. De-rate linearly at 1.0 mA /° C above 25° C.
3. The component must be actively aligned into the mating fiber cable assembly to achieve optimal performance.
4. No Pre-bias.
5. All Optek fiber optic LED products are subjected to 100% burn-in as part of its quality control process. The burn-in conditions are 96 hours at 100 mA drive current and 25° C ambient temperature.

### General Note

TT Electronics reserves the right to make changes in product specification without notice or liability. All information is subject to TT Electronics' own data and is considered accurate at time of going to print.

TT Electronics | OPTEK Technology  
2900 E. Plano Pkwy, Plano, TX 75074 | Ph: +1 972 323 2200  
www.ttelectronics.com | sensors@ttelectronics.com

# Fiber Optic Transmitter

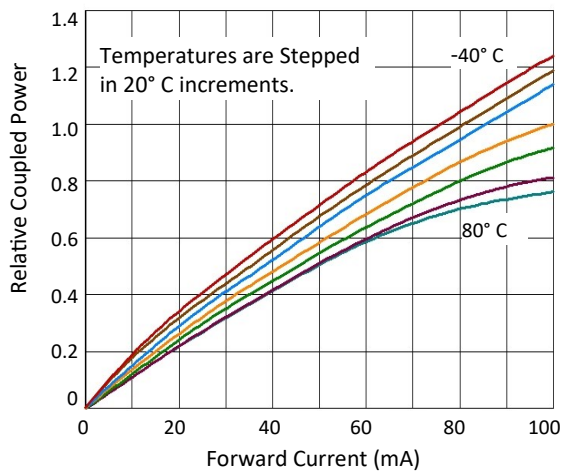
OPF345A

Obsolete (OPF345C)

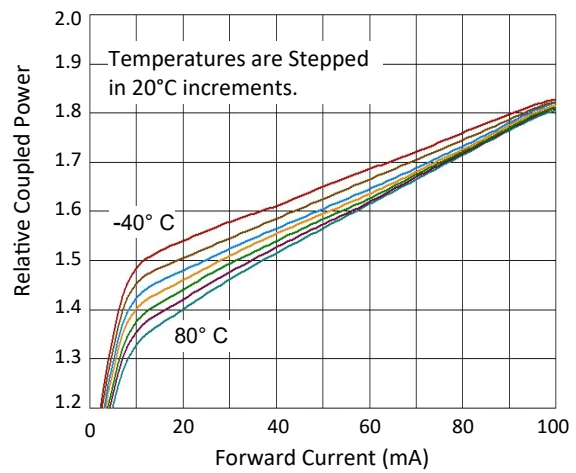


## Performance

Relative Coupled Power vs. Forward Current



Typical Forward Voltage vs. Forward Current



### General Note

TT Electronics reserves the right to make changes in product specification without notice or liability. All information is subject to TT Electronics' own data and is considered accurate at time of going to print.

TT Electronics | OPTEK Technology  
2900 E. Plano Pkwy, Plano, TX 75074 | Ph: +1 972 323 2200  
www.ttelectronics.com | sensors@ttelectronics.com