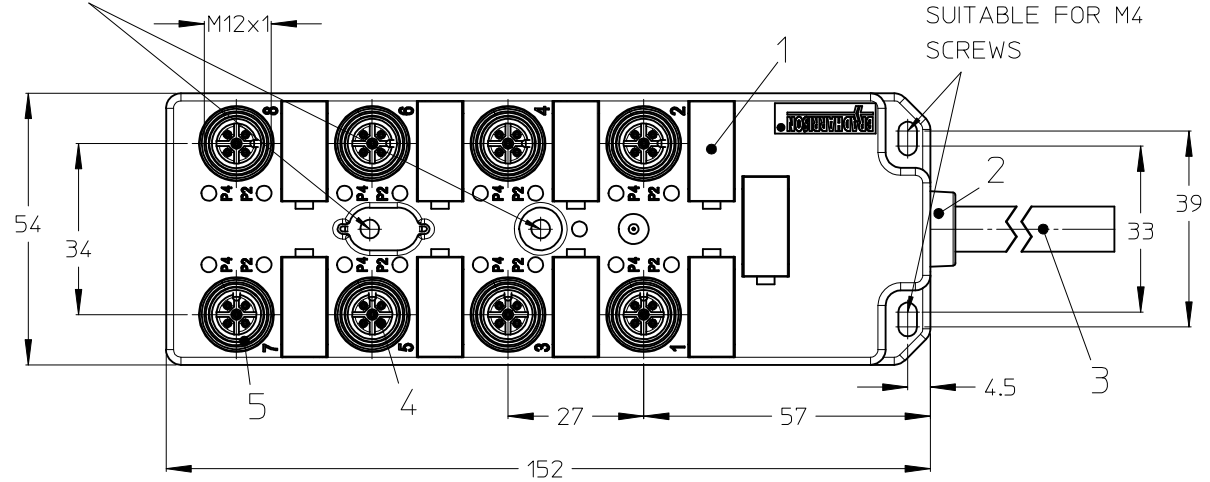


TABLE 1 BILL OF MATERIAL

ITEM	QTY	DESCRIPTION	MATERIAL	FINISH
1	9	LABEL	ABS	WHITE
2	1	CABLE PLATE	PBT	YELLOW
3	1	CABLE	SEE ENG. NO. MATRIX	SEE ENG. NO. MATRIX
4	40	CONTACT	BRASS	GOLD OVER NICKEL
5	8	O-RING	FPM	RED
6	8	SHELL	BRASS	NICKEL PLATED
7	17	LED	NON LED = PBT/ WITH LED = PA	NON LED=YELLOW/ WITH LED=TRANSPARENT
2	1	PROTECTING CAP	PP	BLACK
9	1	HOUSING	PBT	YELLOW

2X FIXING HOLES  
SUITABLE FOR M4 SCREWS

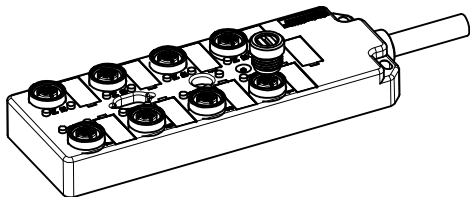
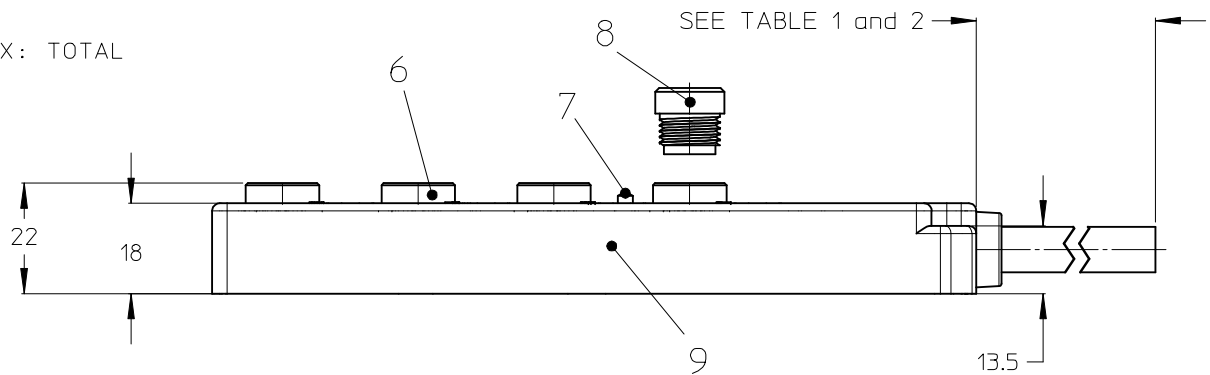
2X FIXING SLOT HOLES  
SUITABLE FOR M4  
SCREWS



GENERAL CHARACTERISTICS:

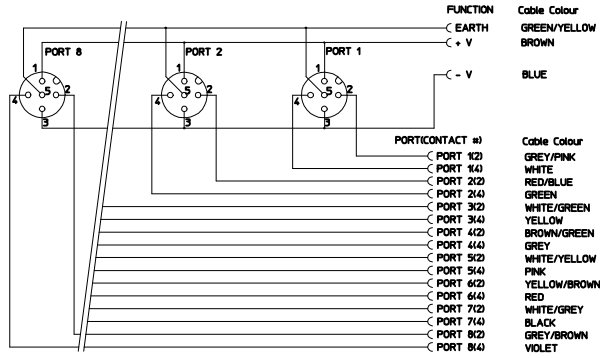
ELECTRICAL AND MECHANICAL DATA ACC. TO IEC 61076-2-101

- NOMINAL VOLTAGE: 24 V DC
- RATED CURRENT: 4 A PER PORT / 12 A MAX: TOTAL
- CONTACT RESISTANCE: ≤ 5 mOHM
- INSULATION RESISTANCE: > 10<sup>9</sup> OHM
- IP DEGREE OF PROTECTION: IP 67
- TEMPERATURE RANGE: -25°C to + 85°C

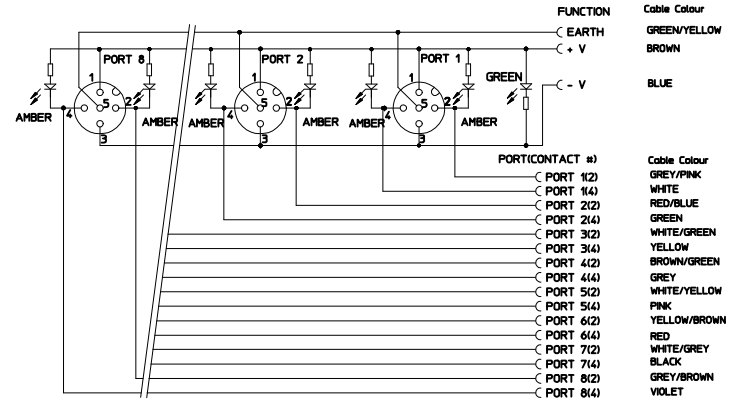


ENTER DESCRIPTION EC NO: IPG2014-0267 DRW:ULETTEMEIER2013/09/24 CHK:RSILLER 2013/09/25 APPR:CBURGER 2013/10/07	QUALITY SYMBOLS ▽=0 ▽=0	GENERAL TOLERANCES (UNLESS SPECIFIED) mm INCH 4 PLACES ± --- ± --- 3 PLACES ± --- ± --- 2 PLACES ± 0.05 ± --- 1 PLACE ± 0.10 ± --- 0 PLACE ± --- ± --- ANGULAR ± .5 °	DIMENSION STYLE MM ONLY DRAWN BY DATE ULETTEMEIER 2013/07/04 CHECKED BY DATE RSILLER 2013/07/10 APPROVED BY DATE CBURGER 2013/07/17	SCALE 1:1 DESIGN UNITS METRIC THIRD ANGLE PROJECTION	TITLE MPIS M12 PNP NPN NOS 5P 8PT AC FE STR XM	
	DRAFT WHERE APPLICABLE MUST REMAIN WITHIN DIMENSIONS	MATERIAL NO. SEE TABLE 2	DOCUMENT NO. SD-120114-003	SHEET NO. 1 OF 3		
	THIS DRAWING CONTAINS INFORMATION THAT IS PROPRIETARY TO MOLEX INCORPORATED AND SHOULD NOT BE USED WITHOUT WRITTEN PERMISSION					
	B1	REV	SIZE A3			

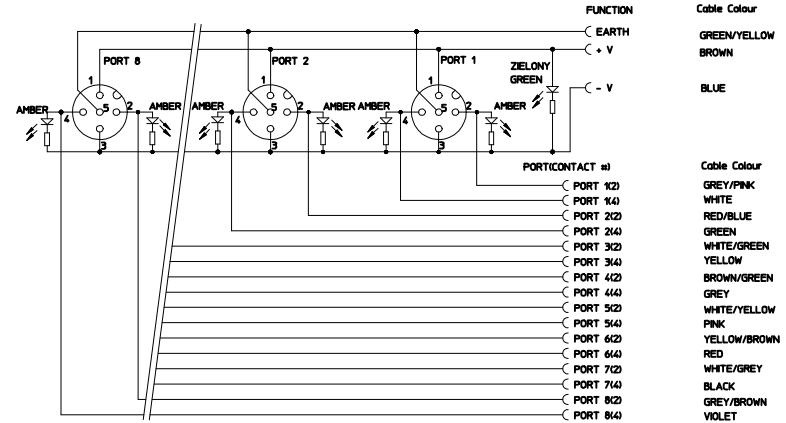
### WIRING DIAGRAM NON LED



### WIRING DIAGRAM NPN



### WIRING DIAGRAM PNP



<b>ENTER DESCRIPTION</b> EC NO: IPGZ014-0267 DRW:ULETTENMEIER 2013/09/24 CHKD:RSILLER 2013/09/25 APPR:CBURGER 2013/10/07	<b>QUALITY SYMBOLS</b> ▽=0 □=0	<b>GENERAL TOLERANCES (UNLESS SPECIFIED)</b>		<b>DIMENSION STYLE</b> MM ONLY		<b>SCALE</b> 1:1	<b>DESIGN UNITS</b> METRIC	<b>THIRD ANGLE PROJECTION</b>			
		4 PLACES ± --- ± --- 3 PLACES ± --- ± --- 2 PLACES ± 0.05 ± --- 1 PLACE ± 0.10 ± --- 0 PLACE ± --- ± ---	mm INCH DRAWN BY DATE ULETTENMEIER 2013/07/04 CHECKED BY DATE RSILLER 2013/07/10 APPROVED BY DATE CBURGER 2013/07/17	<b>TITLE</b> MPIS M12 PNP NPN NOS 5P 8PT AC FE STR XM				<b>DOCUMENT NO.</b> SD-120114-003		<b>SHEET NO.</b> 2 OF 3	
		ANGULAR ± .5 ° DRAFT WHERE APPLICABLE MUST REMAIN WITHIN DIMENSIONS		<b>MATERIAL NO.</b> SEE TABLE 2		THIS DRAWING CONTAINS INFORMATION THAT IS PROPRIETARY TO MOLEX INCORPORATED AND SHOULD NOT BE USED WITHOUT WRITTEN PERMISSION					
		<b>REV</b> B1									

TABLE 2

MOLEX P/N	ENG. NR.	LED
1201140092	BTY8050-FBP-05	NO
1201140093	BTY8050-FBP-10	NO
1200550592	BTY8050-FBP-15	NO
1201140202	BTY805N-FBP-05	YES
1200550691	BTY805N-FBP-10	YES
1201140089	BTY805P-FBP-05	YES
1200550832	BTY805P-FBP-05-1	YES
1201140090	BTY805P-FBP-10	YES
1200550864	BTY805P-FBP-10-1	YES
1201140091	BTY805P-FBP-15	YES
1201148030	BTY805P-FBP-15-1	YES
1200550401	BTY805P-FBP-20	YES
1201148037	BTY805P-FBP-20-1	YES
1200550633	BTY805P-FBP-30	YES

ENG. NO. MATRIX:

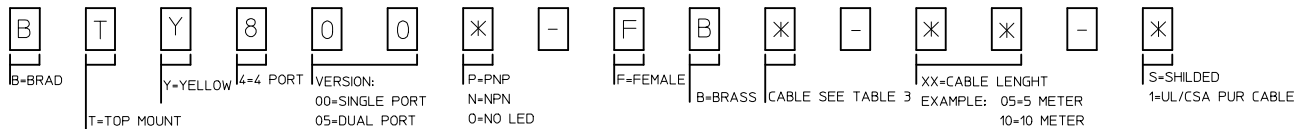


TABLE 3

CABLE	TEM. RANGE STATISCH	TEM. RANGE FLEXIBLE	CABLE DIAMETER (MM) SIGLE (4POLE) 4/6/8 PORT	CABLE DIAMETER (MM) DUAL (5POLE) 4/6/8 PORT	DRAG CHAIN	UL STYLE
P=PUR/PVC/Black	-30°C TO +90°C	-5°C TO +90°C	8.4 ±0.2 / 9.5±0.2 / 9.5 ±0.2	9.5 ±0.2 / 9.8 ±0.2 / 11.4 ±0.2	1.5 MIO. CYCLES	-
P=PUR/PVC/Black/UL/CSA	-25°C TO +90°C	-	7.5 ± 0.2	8.6 ± 0.2	-	-
N=PVC/GREY	-	-10°C TO +80°C	8.4 ± 0.2	9.5 ± 0.2	10 MIO. CYCLES	2464
I=CEI/GREY	-5°C TO +70°C	-	8.4 ± 0.2	9.5 ± 0.2	-	-
E=PVC/YELLOW	-5°C TO +70°C	-	8.4 ± 0.2	9.5 ± 0.2	-	-

ENTER DESCRIPTION EC NO: IPG2014-0267 DRWN:ULETTENMEIER 2013/09/24 CHKD:RSILLER 2013/09/25 APPR:CBURGER 2013/10/07 REV B1	QUALITY SYMBOLS ▽=0 ▽=0	GENERAL TOLERANCES (UNLESS SPECIFIED) mm INCH 4 PLACES ± --- ± --- 3 PLACES ± --- ± --- 2 PLACES ± 0.05 ± --- 1 PLACE ± 0.10 ± --- 0 PLACE ± --- ± --- ANGULAR ± .5 ° DRAFT WHERE APPLICABLE MUST REMAIN WITHIN DIMENSIONS	DIMENSION STYLE MM ONLY DRAWN BY DATE ULETTENMEIER 2013/07/04 CHECKED BY DATE RSILLER 2013/07/10 APPROVED BY DATE CBURGER 2013/07/17	SCALE 1:1 DESIGN UNITS METRIC FIRST ANGLE PROJECTION	TITLE MPIS M12 PNP NPN NOS 5P 8PT AC FE STR XM	MATERIAL NO. SEE TABLE 2	DOCUMENT NO. SD-120114-003	SHEET NO. 3 OF 3
	THIS DRAWING CONTAINS INFORMATION THAT IS PROPRIETARY TO MOLEX INCORPORATED AND SHOULD NOT BE USED WITHOUT WRITTEN PERMISSION							
	molar							
	SEE TABLE 2							