

## **TPA6136A2 EVM**

This user's guide describes the operation of the TPA6136A2 evaluation module (EVM) for the evaluation of the Texas Instruments TPA6136A2 amplifier and includes the EVM schematic, board art, and bill of materials.

### Contents

1	Introduction .....	1
2	Operation .....	2
3	Reference .....	4
4	TPA6136A2EVM Bill of Materials .....	7

### List of Figures

1	Top Assembly – X-Ray View .....	5
2	Layer 2 – X-Ray View .....	6
3	Layer 3– X-Ray View .....	6
4	Bottom Layer – X-Ray View .....	6

### List of Tables

1	TPA6136A2EVM Bill of Materials .....	7
---	--------------------------------------	---

## 1 Introduction

This section provides an overview of the Texas Instruments (TI) TPA6136A2 DirectPath™ stereo headphone amplifier evaluation module (EVM). It includes a brief description of the module and a list of EVM specifications.

### 1.1 Description

The TPA6136A2 is a DirectPath™ stereo headphone amplifier capable of delivering 25 mW/Ch into 16 Ω and requires no output DC blocking capacitors.

The TPA6136A2 EVM is a complete, stand-alone audio board. It contains the TPA6136A2 WCSP (YFF) DirectPath™ stereo headphone amplifier. All components are Pb-free.

### 1.2 EVM Specifications

Supply voltage range, $V_{DD}$	2.5 V to 5.5 V
Supply current, $I_{DD}$	0.5 A, maximum
Continuous output power, $P_O$ , $V_{DD} = 5\text{ V}$ , $16\ \Omega$ , THD+N = 1 %	25 mW

## 2 Operation

This section describes how to operate the TPA6136A2EVM.

### 2.1 Quick-Start List for Stand-Alone Operation

Use the following steps when operating the TPA6136A2EVM stand alone or when connecting the EVM into an existing circuit.

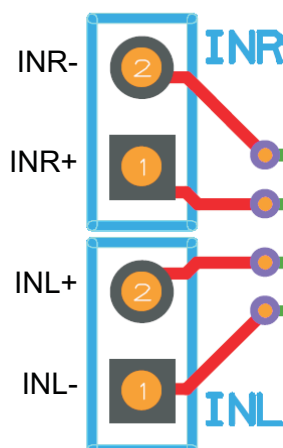
#### 2.1.1 Power and Ground

1. Verify that the external power sources are set to OFF.
2. Set the power supply voltage between 2.5 V and 5.5 V. When connecting the power supply to the EVM, first connect the ground connection to the GND connector, and then connect the positive supply to the  $V_{DD}$  connector. Verify that the connections are made to the correct pin connector.

#### 2.1.2 Inputs and Outputs

##### 2.1.2.1 Audio

1. Verify that the audio source is set to the minimum level.
2. Connect the audio source to the inputs, INL and INR.
3. Connect INL+ and INR+ to ground for single-ended input.
4. Connect a headset or other load to the headphone jack.



##### 2.1.2.2 Shutdown Controls

1. Shutdown is controlled by pushbutton S1. Press and hold S1 to place the TPA6136A2 in shutdown. Release S1 to reactivate the TPA6136A2.

#### 2.1.3 Gain Setting

Set the gain of the TPA6136A2 at GAIN. Set GAIN = LOW for 0 dB. Set GAIN = HIGH for 6 dB.

#### 2.1.4 HI-Z Control

Output will be in high-Z state when HI-Z = HIGH. Set HI-Z = LOW to disable the high-Z mode.

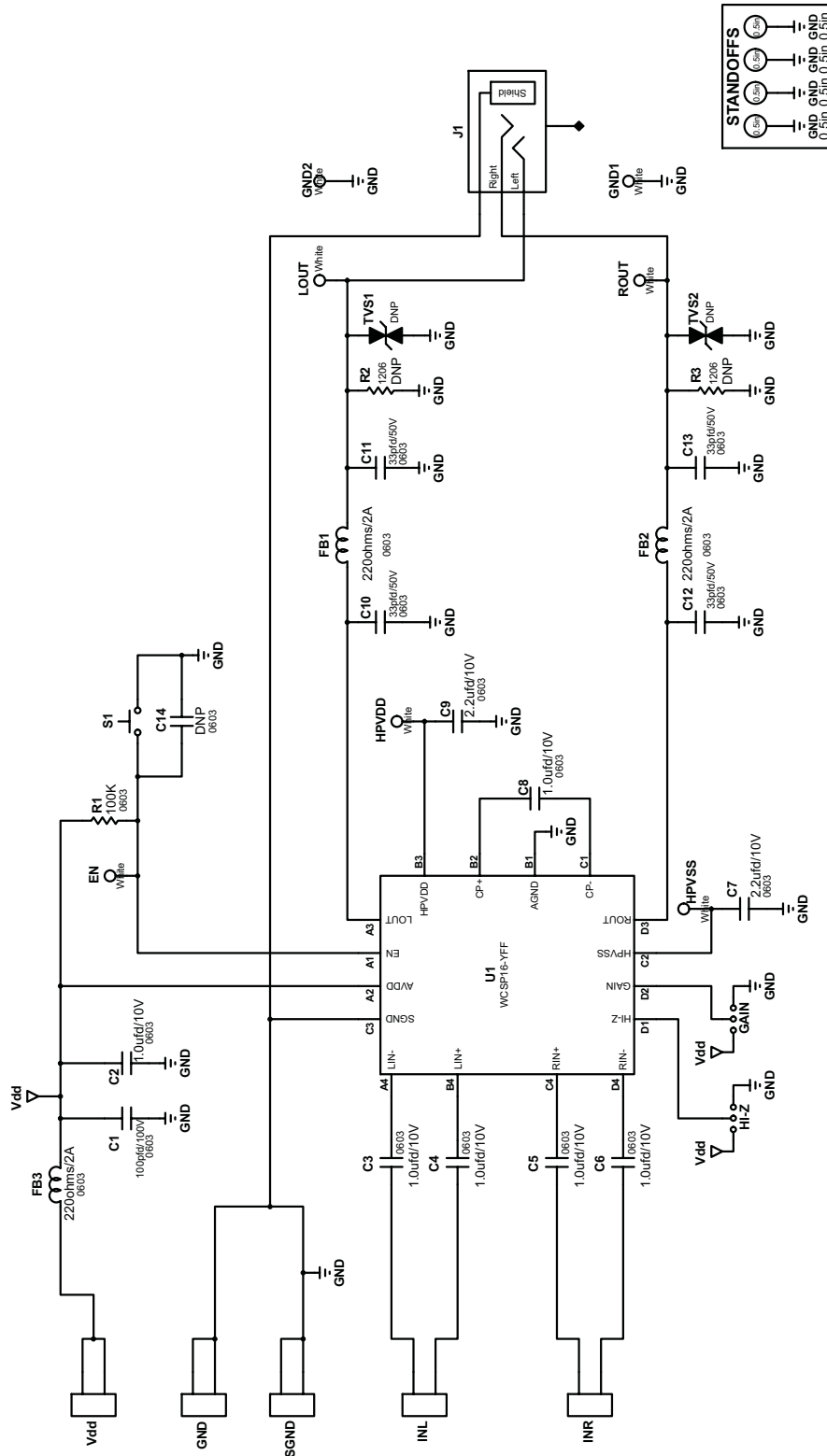
**2.1.5 Power Up**

1. Verify the correct connections as described in Sections 2.1.1 and 2.1.2.
2. Verify the correct voltage setting of the power supply and turn ON the power supply. Proper operation of the EVM should begin.
3. Adjust the audio signal source as needed.

### 3 Reference

This section includes the EVM schematic, board layout reference, and parts list.

#### 3.1 TPA6136A2EVM Schematic



### 3.2 TPA6136A2EVM PCB Layers

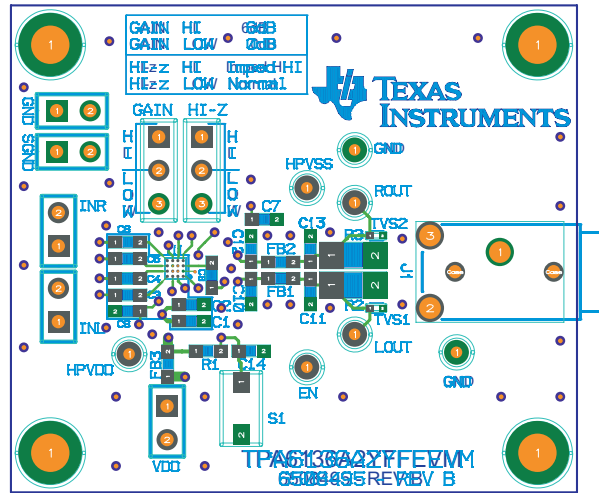


Figure 1. Top Assembly – X-Ray View

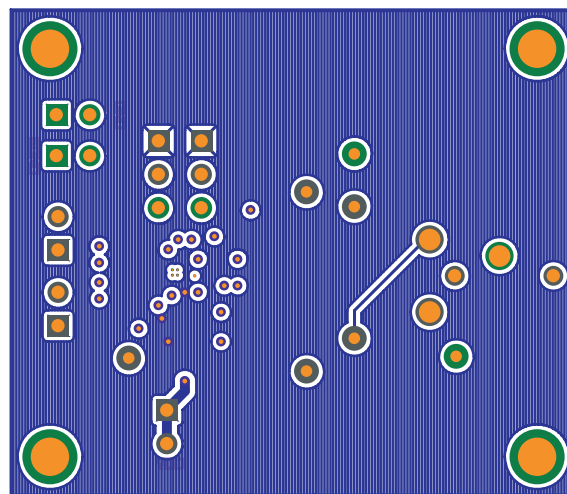


Figure 2. Layer 2 – X-Ray View

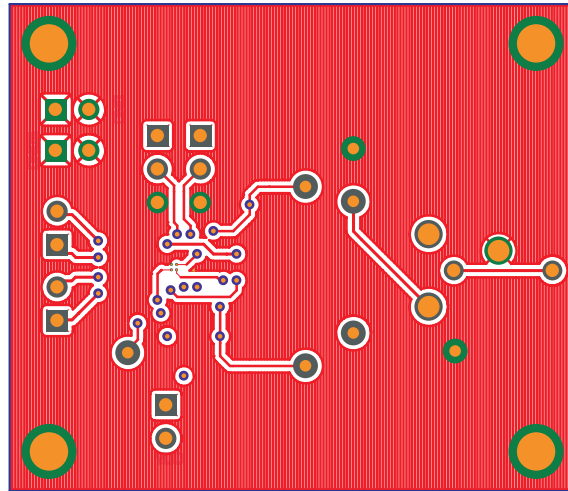


Figure 3. Layer 3– X-Ray View

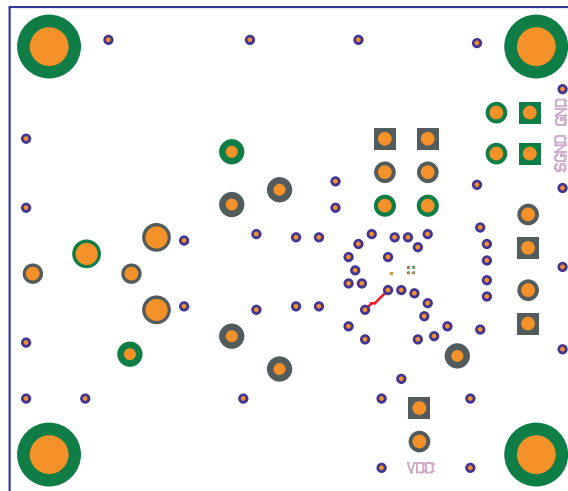


Figure 4. Bottom Layer – X-Ray View

## 4 TPA6136A2EVM Bill of Materials

**Table 1. TPA6136A2EVM Bill of Materials**

Manufacturer Part No.	Qty	Ref Des	Vendor Part No.	Description	Vendor	Manufacturer
TPA6136A2YFF	1	U1	TPA6136A2YFF	CAP-FREE STEREO HEADPHONE AMP WITH DIFFERENTIAL INPUTS ROHS	Texas Instruments	Texas Instruments
<b>SEMICONDUCTORS</b>						
ESDALC6V1-1BT2	2	TVS1, TVS2	ESDALC6V1-1BT2	TRANSIENT VOLTAGE SUPPRESSION BIDIR 6.1V 9A SOD-882 ROHS	Mouser	ST Microelectronics
<b>CAPACITORS</b>						
ECJ-1VB1A105K	6	C2-C6,C8	PCC2174CT	CAP SMD0603 CERM 1.0µF 10V 10% X5R ROHS	Digi-Key	Panasonic
GRM188R71A225KE15D	2	C7, C9	490-4520-1	CAP SMD0603 CERM 2.2µF 10V 10% X7R ROHS	Digi-Key	Murata
06031A101JAT2A	1	C1	478-1146-1	CAP SMD0603 CERM 100PF 100V 5% C0G ROHS	Digi-Key	AVX
ECJ-1VC1H330J	4	C10-C13	PCC330ACVCT	CAP SMD0603 CERM 33PF 50V 5% NPO ROHS	Digi-Key	Panasonic
<b>RESISTORS</b>						
ERJ-3GEYJ104V	1	R1	P100KGCT	RESISTOR SMD0603 100K Ω 5% THICK FILM 1/10W ROHS	Digi-Key	Panasonic
<b>FERRITE BEADS</b>						
MPZ1608S221A	3	FB1-FB3	445-1565-1	FERRITE CHIP, 220 Ω 2A 100MHZ SMD 0603 ROHS	Digi-Key	TDK
<b>HEADERS, JACKS AND SHUNTS</b>						
PBC02SAAN	5	GND, INL, INR, Vdd, SGND	S1011E-02	HEADER THRU MALE 2 PIN 100LS GOLD ROHS	Digi-Key	Sullins
PBC03SAAN	1	HI-Z/GAIN	S1011E-03-ND	HEADER THRU MALE 3 PIN 100LS GOLD ROHS	Digi-Key	Sullins
STX-3000	1	J1	806-STX-3000	JACK, MINI-STEREO, ROHS	Mouser	Kycon
SPC02SYAN	6	GND, INL, INR, Vdd, SGND, HI-Z/GAIN	S9001	SHUNT, BLACK AU FLASH 0.100 ROHS	Digi-Key	Sullins
<b>TEST POINTS AND SWITCHES</b>						
5002	7	EN, GND1, GND2, LOUT, ROUT, HPVDD, HPVSS	5002K	PC TEST POINT, WHITE, ROHS	Digi-Key	Keystone Electronics
TL1015AF160QG	1	S1	EG4344CT	SWITCH, MOM, 160G SMT 4x3MM ROHS	Digi-Key	E-Switch
<b>STANDOFFS AND HARDWARE</b>						
2027	4	SO1,SO2,SO3,S O4	2027K	STANDOFF, 4-40, 0.5INx3/16IN, ALUM RND F-F	Digi-Key	Keystone Electronics
Component Count	45					
<b>COMPONENTS NOT ASSEMBLED</b>						
R2, R3, C14						

## EVALUATION BOARD/KIT IMPORTANT NOTICE

Texas Instruments (TI) provides the enclosed product(s) under the following conditions:

This evaluation board/kit is intended for use for **ENGINEERING DEVELOPMENT, DEMONSTRATION, OR EVALUATION PURPOSES ONLY** and is not considered by TI to be a finished end-product fit for general consumer use. Persons handling the product(s) must have electronics training and observe good engineering practice standards. As such, the goods being provided are not intended to be complete in terms of required design-, marketing-, and/or manufacturing-related protective considerations, including product safety and environmental measures typically found in end products that incorporate such semiconductor components or circuit boards. This evaluation board/kit does not fall within the scope of the European Union directives regarding electromagnetic compatibility, restricted substances (RoHS), recycling (WEEE), FCC, CE or UL, and therefore may not meet the technical requirements of these directives or other related directives.

Should this evaluation board/kit not meet the specifications indicated in the User's Guide, the board/kit may be returned within 30 days from the date of delivery for a full refund. **THE FOREGOING WARRANTY IS THE EXCLUSIVE WARRANTY MADE BY SELLER TO BUYER AND IS IN LIEU OF ALL OTHER WARRANTIES, EXPRESSED, IMPLIED, OR STATUTORY, INCLUDING ANY WARRANTY OF MERCHANTABILITY OR FITNESS FOR ANY PARTICULAR PURPOSE.**

The user assumes all responsibility and liability for proper and safe handling of the goods. Further, the user indemnifies TI from all claims arising from the handling or use of the goods. Due to the open construction of the product, it is the user's responsibility to take any and all appropriate precautions with regard to electrostatic discharge.

**EXCEPT TO THE EXTENT OF THE INDEMNITY SET FORTH ABOVE, NEITHER PARTY SHALL BE LIABLE TO THE OTHER FOR ANY INDIRECT, SPECIAL, INCIDENTAL, OR CONSEQUENTIAL DAMAGES.**

TI currently deals with a variety of customers for products, and therefore our arrangement with the user **is not exclusive**.

TI assumes **no liability for applications assistance, customer product design, software performance, or infringement of patents or services described herein**.

Please read the User's Guide and, specifically, the Warnings and Restrictions notice in the User's Guide prior to handling the product. This notice contains important safety information about temperatures and voltages. For additional information on TI's environmental and/or safety programs, please contact the TI application engineer or visit [www.ti.com/esh](http://www.ti.com/esh).

No license is granted under any patent right or other intellectual property right of TI covering or relating to any machine, process, or combination in which such TI products or services might be or are used.

### FCC Warning

This evaluation board/kit is intended for use for **ENGINEERING DEVELOPMENT, DEMONSTRATION, OR EVALUATION PURPOSES ONLY** and is not considered by TI to be a finished end-product fit for general consumer use. It generates, uses, and can radiate radio frequency energy and has not been tested for compliance with the limits of computing devices pursuant to part 15 of FCC rules, which are designed to provide reasonable protection against radio frequency interference. Operation of this equipment in other environments may cause interference with radio communications, in which case the user at his own expense will be required to take whatever measures may be required to correct this interference.

### EVM WARNINGS AND RESTRICTIONS

It is important to operate this EVM within the input voltage range of  $HPVSS - 0.3\text{ V}$  to  $HPVDD + 0.3\text{ V}$  and the output voltage range of  $HPVSS$  to  $HPVDD$ .

Exceeding the specified input range may cause unexpected operation and/or irreversible damage to the EVM. If there are questions concerning the input range, please contact a TI field representative prior to connecting the input power.

Applying loads outside of the specified output range may result in unintended operation and/or possible permanent damage to the EVM. Please consult the EVM User's Guide prior to connecting any load to the EVM output. If there is uncertainty as to the load specification, please contact a TI field representative.

During normal operation, some circuit components may have case temperatures greater than 85°C. The EVM is designed to operate properly with certain components above 85°C as long as the input and output ranges are maintained. These components include but are not limited to linear regulators, switching transistors, pass transistors, and current sense resistors. These types of devices can be identified using the EVM schematic located in the EVM User's Guide. When placing measurement probes near these devices during operation, please be aware that these devices may be very warm to the touch.

Mailing Address: Texas Instruments, Post Office Box 655303, Dallas, Texas 75265  
Copyright 2009, Texas Instruments Incorporated



## IMPORTANT NOTICE

Texas Instruments Incorporated and its subsidiaries (TI) reserve the right to make corrections, modifications, enhancements, improvements, and other changes to its products and services at any time and to discontinue any product or service without notice. Customers should obtain the latest relevant information before placing orders and should verify that such information is current and complete. All products are sold subject to TI's terms and conditions of sale supplied at the time of order acknowledgment.

TI warrants performance of its hardware products to the specifications applicable at the time of sale in accordance with TI's standard warranty. Testing and other quality control techniques are used to the extent TI deems necessary to support this warranty. Except where mandated by government requirements, testing of all parameters of each product is not necessarily performed.

TI assumes no liability for applications assistance or customer product design. Customers are responsible for their products and applications using TI components. To minimize the risks associated with customer products and applications, customers should provide adequate design and operating safeguards.

TI does not warrant or represent that any license, either express or implied, is granted under any TI patent right, copyright, mask work right, or other TI intellectual property right relating to any combination, machine, or process in which TI products or services are used. Information published by TI regarding third-party products or services does not constitute a license from TI to use such products or services or a warranty or endorsement thereof. Use of such information may require a license from a third party under the patents or other intellectual property of the third party, or a license from TI under the patents or other intellectual property of TI.

Reproduction of TI information in TI data books or data sheets is permissible only if reproduction is without alteration and is accompanied by all associated warranties, conditions, limitations, and notices. Reproduction of this information with alteration is an unfair and deceptive business practice. TI is not responsible or liable for such altered documentation. Information of third parties may be subject to additional restrictions.

Resale of TI products or services with statements different from or beyond the parameters stated by TI for that product or service voids all express and any implied warranties for the associated TI product or service and is an unfair and deceptive business practice. TI is not responsible or liable for any such statements.

TI products are not authorized for use in safety-critical applications (such as life support) where a failure of the TI product would reasonably be expected to cause severe personal injury or death, unless officers of the parties have executed an agreement specifically governing such use. Buyers represent that they have all necessary expertise in the safety and regulatory ramifications of their applications, and acknowledge and agree that they are solely responsible for all legal, regulatory and safety-related requirements concerning their products and any use of TI products in such safety-critical applications, notwithstanding any applications-related information or support that may be provided by TI. Further, Buyers must fully indemnify TI and its representatives against any damages arising out of the use of TI products in such safety-critical applications.

TI products are neither designed nor intended for use in military/aerospace applications or environments unless the TI products are specifically designated by TI as military-grade or "enhanced plastic." Only products designated by TI as military-grade meet military specifications. Buyers acknowledge and agree that any such use of TI products which TI has not designated as military-grade is solely at the Buyer's risk, and that they are solely responsible for compliance with all legal and regulatory requirements in connection with such use.

TI products are neither designed nor intended for use in automotive applications or environments unless the specific TI products are designated by TI as compliant with ISO/TS 16949 requirements. Buyers acknowledge and agree that, if they use any non-designated products in automotive applications, TI will not be responsible for any failure to meet such requirements.

Following are URLs where you can obtain information on other Texas Instruments products and application solutions:

### Products

Amplifiers	<a href="http://amplifier.ti.com">amplifier.ti.com</a>
Data Converters	<a href="http://dataconverter.ti.com">dataconverter.ti.com</a>
DLP® Products	<a href="http://www.dlp.com">www.dlp.com</a>
DSP	<a href="http://dsp.ti.com">dsp.ti.com</a>
Clocks and Timers	<a href="http://www.ti.com/clocks">www.ti.com/clocks</a>
Interface	<a href="http://interface.ti.com">interface.ti.com</a>
Logic	<a href="http://logic.ti.com">logic.ti.com</a>
Power Mgmt	<a href="http://power.ti.com">power.ti.com</a>
Microcontrollers	<a href="http://microcontroller.ti.com">microcontroller.ti.com</a>
RFID	<a href="http://www.ti-rfid.com">www.ti-rfid.com</a>
RF/IF and ZigBee® Solutions	<a href="http://www.ti.com/lprf">www.ti.com/lprf</a>

### Applications

Audio	<a href="http://www.ti.com/audio">www.ti.com/audio</a>
Automotive	<a href="http://www.ti.com/automotive">www.ti.com/automotive</a>
Broadband	<a href="http://www.ti.com/broadband">www.ti.com/broadband</a>
Digital Control	<a href="http://www.ti.com/digitalcontrol">www.ti.com/digitalcontrol</a>
Medical	<a href="http://www.ti.com/medical">www.ti.com/medical</a>
Military	<a href="http://www.ti.com/military">www.ti.com/military</a>
Optical Networking	<a href="http://www.ti.com/opticalnetwork">www.ti.com/opticalnetwork</a>
Security	<a href="http://www.ti.com/security">www.ti.com/security</a>
Telephony	<a href="http://www.ti.com/telephony">www.ti.com/telephony</a>
Video & Imaging	<a href="http://www.ti.com/video">www.ti.com/video</a>
Wireless	<a href="http://www.ti.com/wireless">www.ti.com/wireless</a>

Mailing Address: Texas Instruments, Post Office Box 655303, Dallas, Texas 75265  
Copyright © 2009, Texas Instruments Incorporated