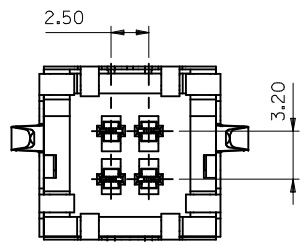
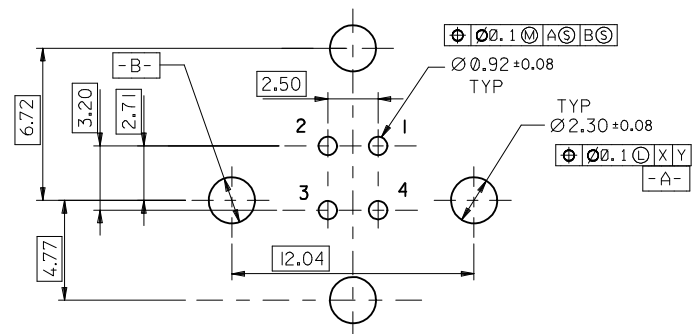
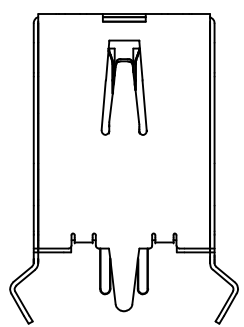
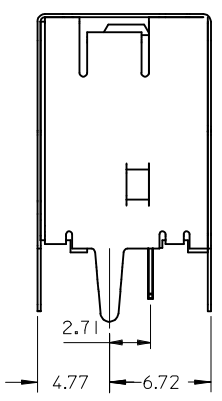
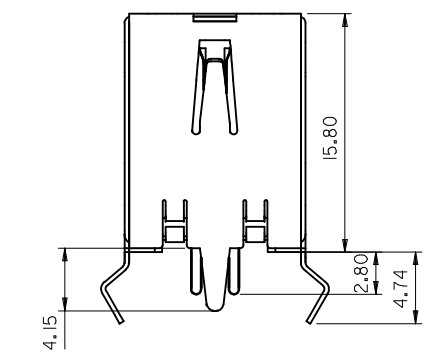


- NOTES :
- MATERIAL :
 HOUSING : POLYESTER ,UL94V-0 ,
 COLOR:BLACK, OR WHITE
 TERMINAL : PHOSPHOR BRONZE (PhBr)
 METAL SHELL : COPPER ALLOY
 - PLATING :
 TERMINAL :
 CONTACT AREA :
 (a) GOLD FLASH.
 (b) GOLD (Au), THICKNESS=30 MICROINCH /0.76 MICROMETER
 SOLDER TAIL : (a) TIN-LEAD (90/10) ALLOY
 ,THICKNESS=150 MICROINCH/3.8 MICROMETER
 (b) PURE TIN PLATING,
 THICKNESS=50 MICROINCH/1.27MICROMETER MINIMUM.
 UNDER PLATE : NICKEL (NI)
 ,THICKNESS=50 MICROINCH / 1.27 MICROMETER
 - METAL SHELL :
 (a) TIN-LEAD (Sn-Pb) ALLOY
 ,THICKNESS=100 MICROINCH /2.54 MICROMETER
 (b) PURE TIN PLATING,
 THICKNESS =50 MICROINCH/1.27 MICROMETER MINIMUM.
 UNDER PLATE : NICKEL (NI)
 ,THICKNESS=50 MICROINCH / 1.27 MICROMETER
 - RECOMMENDED PCB THICKNESS : 1.60±0.05mm
 - PRODUCT SPECIFICATION : REFER TO PS-67998-0000



REVISED EC NO: G DRWN:YPMU CHKD: APPR:	DESCRIPTION REV	2009/09/01	QUALITY SYMBOLS ▽=0 ◻=0		GENERAL TOLERANCES (UNLESS SPECIFIED)		DIMENSION STYLE MM ONLY		SCALE 1:1	DESIGN UNITS METRIC	THIRD ANGLE PROJECTION		
					mm	INCH	DRAWN BY SAM SHIN	DATE 1998/12/21	TITLE USB B VERTICAL CONN				
					4 PLACES	± ---	± ---	CHECKED BY VLIN	DATE 1998/12/21	MOLEX INCORPORATED			
					3 PLACES	± ---	± ---	APPROVED BY NEGA LIN	DATE 1998/12/21	DOCUMENT NO. SD-67265-002		SHEET NO. 1 OF 2	
			2 PLACES	± 0.25	± ---	DRAFT WHERE APPLICABLE MUST REMAIN WITHIN DIMENSIONS		SEE TABLE		THIS DRAWING CONTAINS INFORMATION THAT IS PROPRIETARY TO MOLEX INCORPORATED AND SHOULD NOT BE USED WITHOUT WRITTEN PERMISSION			
			1 PLACE	± 0.25	± ---								
			ANGULAR ± 3 °										

REFER TO PACKING DOC. NO. PK-67265-001 PACKING: TRAY SIZE : 360*360mm (150 PIECES)			SHELL AND SOLDER TAIL PLATING	REFER TO PACKING DOC. NO. PK-67265-001 PACKING: TRAY SIZE : 360*360mm (150 PIECES)			SHELL AND SOLDER TAIL PLATING
P/N	COLOR	CONTACT PLATING		P/N	COLOR	CONTACT PLATING	
67265-0000	BLACK	GOLD FLASH	TIN LEAD PLATING	67265-2000	BLACK	GOLD FLASH	PURE TIN PLATING (lead-free)
67265-0001	BLACK	0.76 MICROMETER/30 MICROINCH GOLD		67265-2001	BLACK	0.76 MICROMETER/30 MICROINCH GOLD	
67265-1000	WHITE	GOLD FLASH		67265-3000	WHITE	GOLD FLASH	
67265-1001	WHITE	0.76 MICROMETER/30 MICROINCH GOLD		67265-3001	WHITE	0.76 MICROMETER/30 MICROINCH GOLD	
REFER TO PACKING DOC. NO. PK-67265-002 PACKING: TRAY SIZE : 360*165mm (150 PIECES)				REFER TO PACKING DOC. NO. PK-67265-002 PACKING: TRAY SIZE : 360*165mm (150 PIECES)			
P/N	COLOR	CONTACT PLATING		P/N	COLOR	CONTACT PLATING	
67265-0200	BLACK	GOLD FLASH		67265-2200	BLACK	GOLD FLASH	
67265-0201	BLACK	0.76 MICROMETER/30 MICROINCH GOLD		67265-2201	BLACK	0.76 MICROMETER/30 MICROINCH GOLD	
67265-1200	WHITE	GOLD FLASH		67265-3200	WHITE	GOLD FLASH	
67265-1201	WHITE	0.76 MICROMETER/30 MICROINCH GOLD		67265-3201	WHITE	0.76 MICROMETER/30 MICROINCH GOLD	
REFER TO PACKING DOC. NO. PK-67265-003 PACKING: TUBE			REFER TO PACKING DOC. NO. PK-67265-003 PACKING: TUBE				
P/N	COLOR	CONTACT PLATING	P/N	COLOR	CONTACT PLATING		
67265-0300	BLACK	GOLD FLASH	67265-2300	BLACK	GOLD FLASH		
67265-0301	BLACK	0.76 MICROMETER/30 MICROINCH GOLD	67265-2301	BLACK	0.76 MICROMETER/30 MICROINCH GOLD		
67265-1300	WHITE	GOLD FLASH	67265-3300	WHITE	GOLD FLASH		
67265-1301	WHITE	0.76 MICROMETER/30 MICROINCH GOLD	67265-3301	WHITE	0.76 MICROMETER/30 MICROINCH GOLD		

REVISED EC NO: SH2010-0079 DRWN: YPWU 2009/09/01 CHKD: 2009/09/02 APPR: RZHANG 2009/10/12 REV DESCRIPTION	QUALITY SYMBOLS	GENERAL TOLERANCES (UNLESS SPECIFIED)	DIMENSION STYLE	SCALE	DESIGN UNITS	THIRD ANGLE PROJECTION
	▽=0 □=0	mm INCH	MM ONLY	1:1	METRIC	
		4 PLACES ± --- ± --- 3 PLACES ± --- ± --- 2 PLACES ± 0.25 ± --- 1 PLACE ± 0.25 ± --- ANGULAR ± 3 °	DRAWN BY DATE SAM SHIN 1998/12/21 CHECKED BY DATE VLIN 1998/12/21 APPROVED BY DATE NEGA LIN 1998/12/21 MATERIAL NO.	TITLE USB B VERTICAL CONN MOLEX INCORPORATED DOCUMENT NO. SD-67265-002		
		DRAFT WHERE APPLICABLE MUST REMAIN WITHIN DIMENSIONS	SEE TABLE SIZE A3 THIS DRAWING CONTAINS INFORMATION THAT IS PROPRIETARY TO MOLEX INCORPORATED AND SHOULD NOT BE USED WITHOUT WRITTEN PERMISSION	SHEET NO. 2 OF 2		