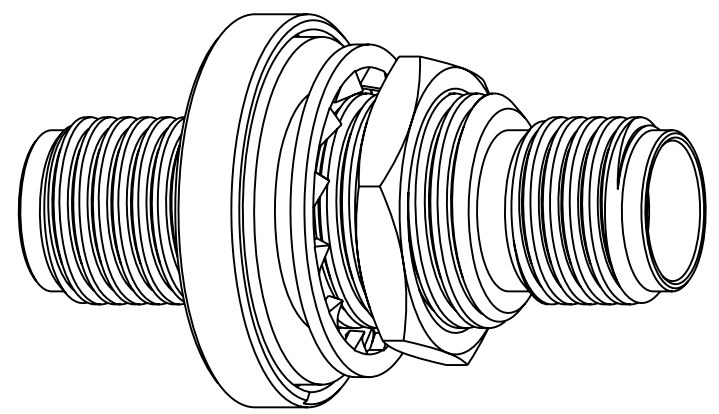


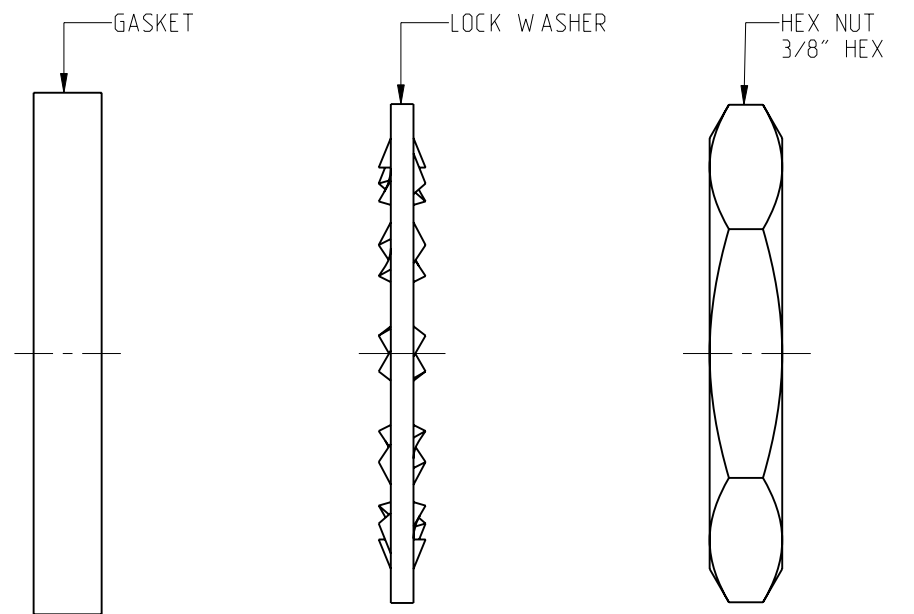
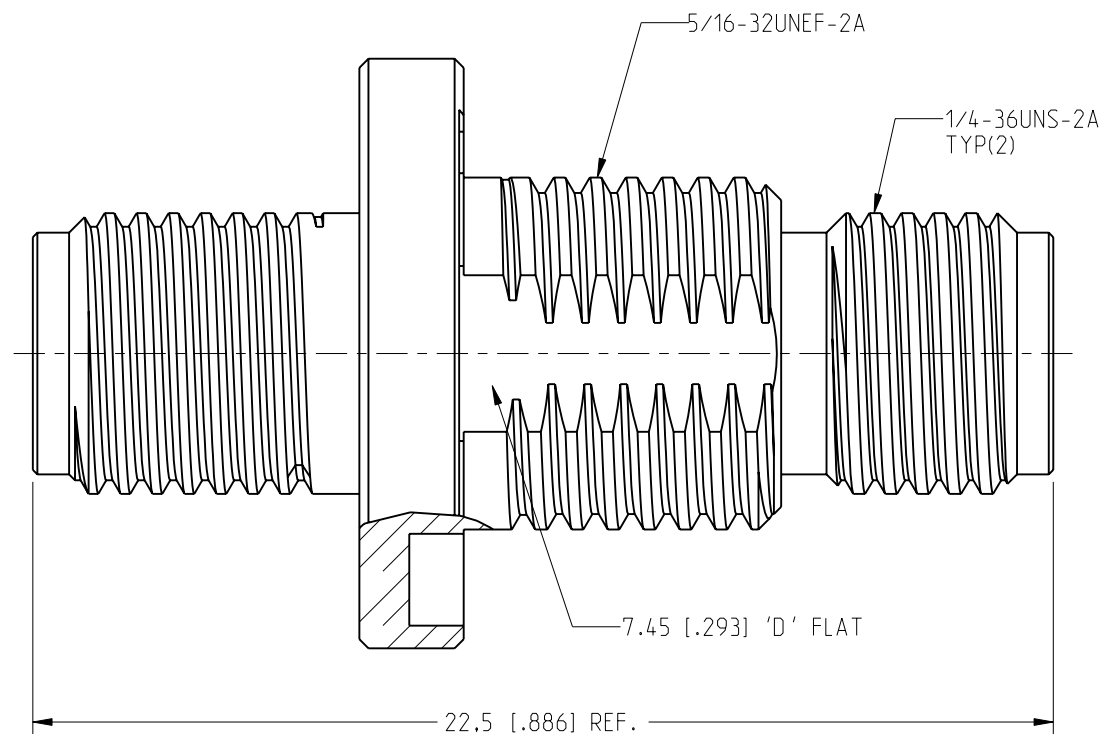
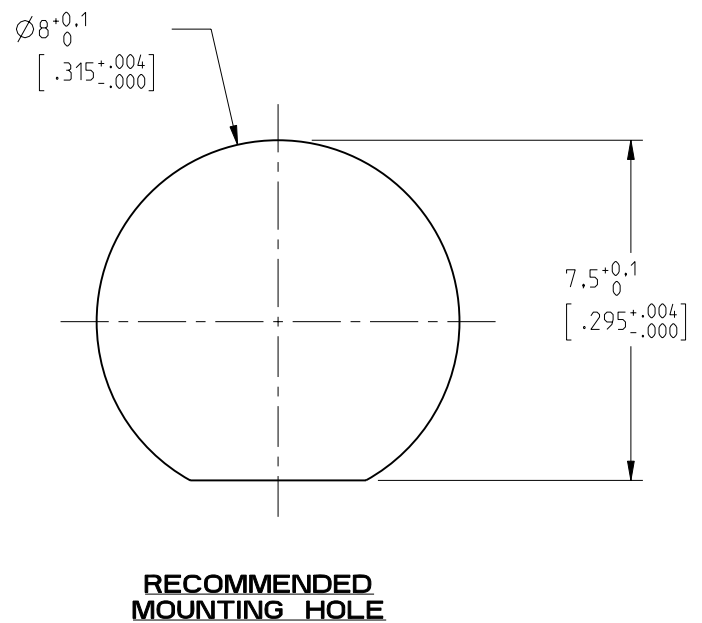
NOTES:

- 1. MATERIALS AND FINISHES:
 - HEX NUT - BRASS, BLACK CHROMATE OVER NICKEL
 - LOCK WASHER - BRASS, BLACK CHROMATE OVER NICKEL
 - BODY - BRASS, BLACK CHROMATE OVER NICKEL
 - CONTACT - BERYLLIUM COPPER, GOLD PLATING
 - GASKET - SILICONE RUBBER, RED
 - INSULATOR - PTFE, NATURAL
- 2. ELECTRICAL:
 - A. IMPEDANCE: 50 OHM
 - B. FREQUENCY RANGE: 0-18 GHz
 - C. VSWR (RETURN LOSS): 1.30 (-17.7 dB) MAX.
 - D. DIELECTRIC WITHSTANDING VOLTAGE: 1000 VRMS, MIN.
- 3. MECHANICAL:
 - A. DURABILITY: 100 CYCLES MIN.
 - B. TEMPERATURE RANGE: -65°C TO +165°C
 - C. SEALING REQUIREMENT: IP68 MUST WITHSTAND 3' DEPTH OF WATER FOR ONE HOUR WITHOUT ANY SIGNS OF LEAKAGE
 - D. COSMETIC PARAMETERS OF PLATING PER AMPHENOL SPEC. 349-50966
- 4. PACKAGING:
 - A. QUANTITY: SINGLE PACK
 - B. MARKING: PACKAGING TO BE MARKED "AMPHENOL RF, 132170-12-BC & DATE CODE"
 - C. GASKET, LOCK WASHER AND HEX NUT ARE PACKAGED LOOSE.
- 5. MAX. PANEL THICKNESS = 4.3 [.169]

REVISIONS				
REV	DESCRIPTION	DATE	ECN	BY
A	RELEASE TO MFG.	1-JUL-22	16318	SH



SCALE 4.000



CUSTOMER OUTLINE DRAWING

ALL OTHER SHEETS ARE FOR INTERNAL USE ONLY

NOTICE: These drawings, specifications, or other data (1) are, and remain the property of Amphenol corp. (2) must be returned upon request; and (3) are confidential and not to be disclosed to any person other than those to whom they are given by Amphenol Corp. The furnishing of these drawings, specifications, or other data by Amphenol Corp., or to any other person to anyone for any purpose is not to be regarded by implication or otherwise in any manner licensing, granting rights to permitting such holder or any other person to manufacture, use or sell any product, process or design, patented or otherwise, that may in any way be related to or disclosed by said drawings, specifications, or other data.

THIRD ANGLE PROJ.

REFERENCE

EAR# 10661

UNLESS OTHERWISE SPECIFIED DIMENSIONS ARE METRIC (INCHES) AND TOLERANCES ARE:

<0.5mm = ±0.05mm	[<0.020 = ±0.002]
>0.5 - 6mm = ±0.1mm	[>0.020 - 0.236 = ±0.004]
>6.00 - 30mm = ±0.2mm	[>0.236 - 1.181 = ±0.008]
>30.00 - 120mm = ±0.3mm	[>1.181 - 4.725 = ±0.012]

ANGLES = ±1°

MATERIAL SEE NOTES

ENGR.1 C.VIGORITO ENGR.2 JACK LIANG DATE 06-May-22

TITLE IP-68 SMA JACK TO SMA JACK BULKHEAD ADAPTOR EXTREME EXPOSURE

SHEET NO. 2 OF 2 SCALE: 6.0:1.0

Amphenol RF

SIZE B	DRAWING NO. 132170-12-BC	REV A
	ITEM NO. 132170-12-BC	
	PART NO. 132170-12-BC	