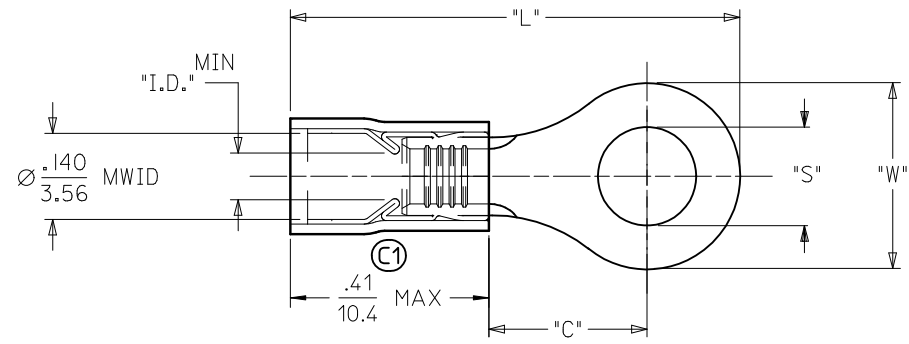
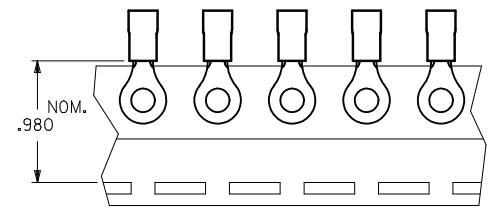


MATERIAL NUMBER	ALTERNATE NUMBER	STUD SIZE	"S"	"W"	"C" MIN (C1)	"L" MAX (C1)	"I.D."	PACKAGING
190730036	AA-832-04	04	.119(3.02)	.25(6.5)	.24(6.1)	(C1) .81 (20.6)	.062(1.57)	LOOSE PIECE
190730038	AA-832-06	06	.146(3.71)	.25(6.5)	.24(6.1)	(C1) .81 (20.6)	.062(1.57)	
190730042	AA-832-08	08	.173(4.39)	.25(6.5)	.24(6.1)	(C1) .81 (20.6)	.062(1.57)	
190730046	AA-833-04	04	.119(3.02)	.27(6.9)	.24(6.1)	.82(20.7)	.062(1.57)	
190730047	AA-833-06	06	.146(3.71)	.27(6.9)	.24(6.1)	.82(20.7)	.062(1.57)	
190730048	AA-833-08	08	.173(4.39)	.27(6.9)	.24(6.1)	.82(20.7)	.062(1.57)	
190730049	AA-833-10	10	.198(5.03)	.27(6.9)	.24(6.1)	.82(20.7)	.062(1.57)	
190730001	AA-8111-02	02	.094(2.38)	.19(4.8)	.17(4.4)	.72(18.2)	.054(1.37)	
190730003	AA-8111-04	04	.119(3.02)	.19(4.8)	.17(4.4)	.72(18.2)	.054(1.37)	
190730037	AA-832-04T	04	.119(3.02)	.25(6.5)	.24(6.1)	(C1) .81 (20.6)	.062(1.57)	
190730040	AA-832-06T	06	.146(3.71)	.25(6.5)	.24(6.1)	(C1) .81 (20.6)	.062(1.57)	
190730043	AA-832-08T	08	.173(4.39)	.25(6.5)	.24(6.1)	(C1) .81 (20.6)	.062(1.57)	
190730050	AA-833-10T	10	.198(5.03)	.27(6.9)	.24(6.1)	.82(20.7)	.062(1.57)	
190730002	AA-8111-02T	02	.094(2.38)	.19(4.8)	.17(4.4)	.72(18.2)	.054(1.37)	
190730004	AA-8111-04T	04	.119(3.02)	.19(4.8)	.17(4.4)	.72(18.2)	.054(1.37)	



- NOTES:
- MATERIAL: COPPER
PLATING: ELECTROPLATE TIN
 - FERRULE: TIN-PLATED BRASS
 - INSULATION: RED NYLON
 - MWID=MAXIMUM WIRE INSULATION DIA.
 - ALL DIMENSIONS IN INCHES (MM).
 - PARTS ARE ROHS COMPLIANT.

FIX TOLERANCES EC NO: WNA2010-0470 DR: WNETHRODAHL 2010/01/27 CHKD: JMACNEIL 2010/01/27 APPR: JMACNEIL 2010/01/27 REV: C1	QUALITY SYMBOLS	GENERAL TOLERANCES (UNLESS SPECIFIED)	DIMENSION STYLE	SCALE	DESIGN UNITS	THIRD ANGLE PROJECTION
	▼=0 ▽=0	mm INCH 4 PLACES ± --- ± --- 3 PLACES ± --- ± .005 2 PLACES ± 0.13 ± .01 1 PLACE ± 0.25 ± --- ANGULAR ± 1/2°	IN/MM	1:1	INCH	
		DRAFT WHERE APPLICABLE MUST REMAIN WITHIN DIMENSIONS	DRAWN BY ASAYDEH DATE 05/12/07 CHECKED BY JLOMASTRO DATE 05/12/07 APPROVED BY RDEROSS DATE 05/12/07	TITLE RING TONGUE TERMINAL 22-18 AWG AVIKRIMP, 800-SERIES		
			MATERIAL NO.	DOCUMENT NO.	MOLEX INCORPORATED	
			SIZE B	SEE CHART	SD-19073-004	SHEET NO. 1 OF 1