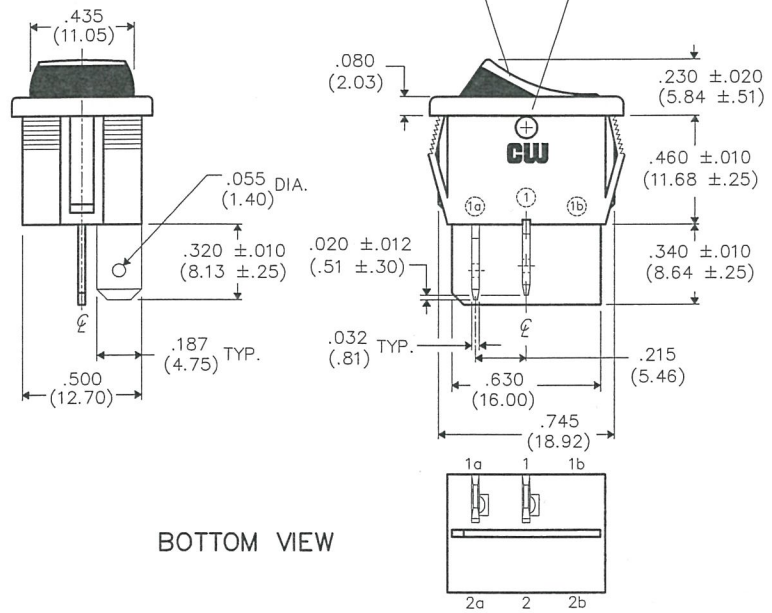
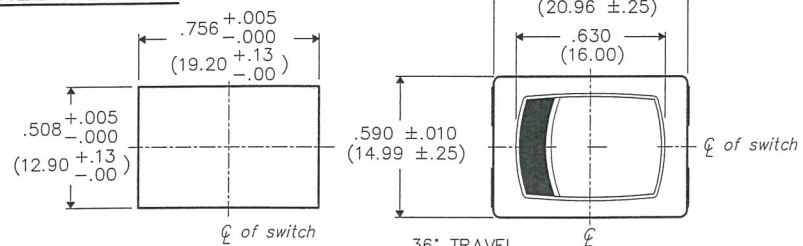


THIS INFORMATION IS CONFIDENTIAL AND PROPRIETARY TO CW INDUSTRIES INCORPORATED AND ITS AFFILIATES. IT MAY NOT BE DISCLOSED TO ANYONE OTHER THAN CW INDUSTRIES PERSONNEL, WITHOUT WRITTEN AUTHORIZATION FROM CW INDUSTRIES INCORPORATED, SOUTHAMPTON, PENNSYLVANIA USA.

DIMENSIONS IN INCHES (MILLIMETERS)  
DO NOT SCALE DRAWING .....

Dwg. No.  
**GRS-4011-0138**

**PANEL PIERCING**



**BOTTOM VIEW**

**UL, CSA & VDE LISTED:**

16A 125 - 250VAC 3/4H.P. 125 - 250VAC  
 3A 125V L 10A 14V(T)  
 10(4) 250 ~ 4 T85'

**MATERIALS:**

BUTTON - NYLON 6/6 94V-2 COLOR, BLACK/RED  
 HOUSING - NYLON 6/6 94V-2 COLOR, BLACK  
 TERMINAL & MOVING CONTACT - COPPER ALLOY

1	2	3	4	5	6	7	8	9	10
---	---	---	---	---	---	---	---	---	----

B-FORMAT 2002  <b>REVISIONS</b>  0 RELEASED: DGW 2-25-2013 FEB 26 2013		Southampton, Pa. 18966	Title: <b>2 COLOR ROCKER SWIDGET ASSEMBLY SP/ST (POP-IN)</b>
	TOLERANCES UNLESS OTHERWISE SPECIFIED 2 Place Decimal $\pm .010$ METRIC 3 Place Decimal $\pm .005$ 1 Place Dec. $\pm .25$ mm Angles ..... $\pm 1'$ 2 Place Dec. $\pm .13$ mm		Division: <b>SWITCH</b>
	Made for: CW IND.		Dwg. No. <b>GRS-4011-0138</b>
	Drawn by: DGW 2-25-2013 Checked by: <i>G. Guld 2-26-13</i> Approval: <i>E. H... 2/26/13</i>		PDF MADE

MASTER