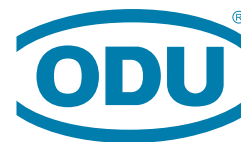


A PERFECT ALLIANCE.



## ODU MINI-MED<sup>®</sup>

The overmolded connector for measuring and testing,  
industrial and medical devices.

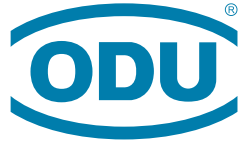
MINI OVERMOLDED  
CONNECTOR



ODU MINI-MED<sup>®</sup>

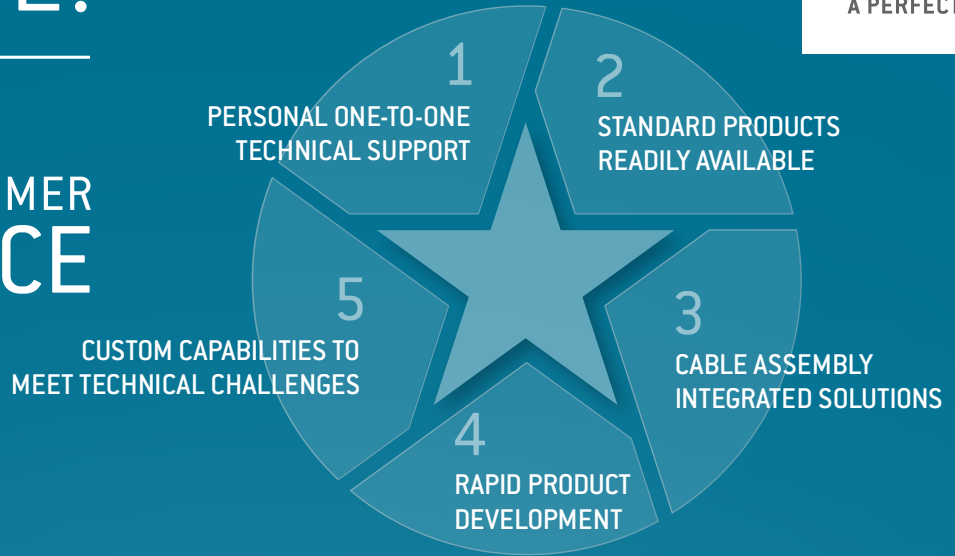
ASSEMBLED PLASTIC CONNECTORS

# A PERFECT ALLIANCE.



A PERFECT ALLIANCE.

## ODU 5 STAR CUSTOMER EXPERIENCE



### ODU GROUP OVERVIEW

- More than 80 years of experience in connector technology
- Over 2,300 employees worldwide
- 10 sales subsidiaries in China, Denmark, France, Germany, Italy, Japan, Korea, Sweden, the UK and the US as well as 5 production and logistics sites
- All technologies under one roof: Design and development, machine tool and special machine construction, injection, stamping, turning, surface technology, assembly and cable assembly

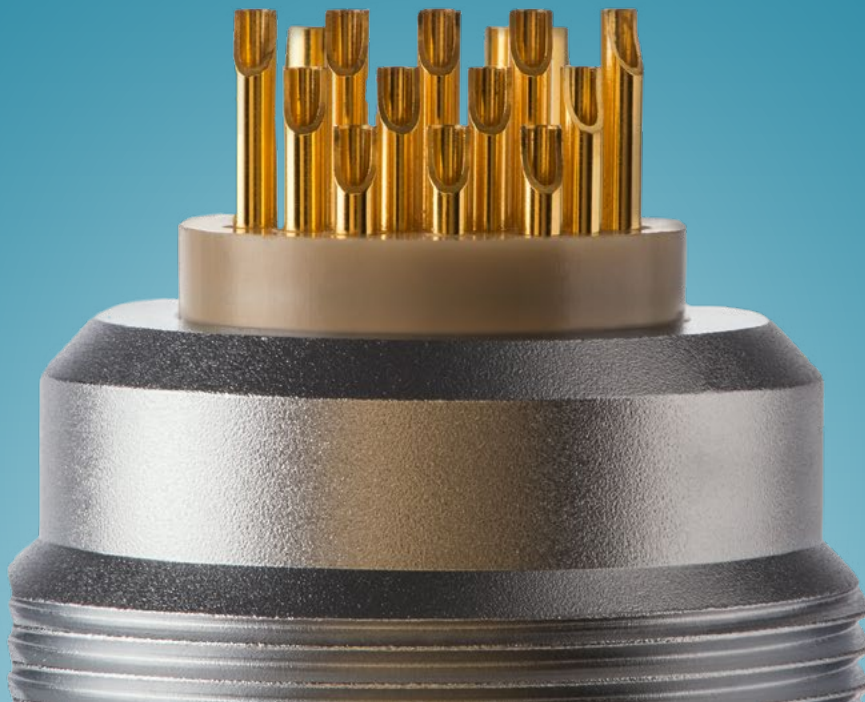
We operate in the following markets: medical, military and security, test and measurement, industrial, energy, and automotive / emobility

As of February 2019

### CERTIFIED QUALITY

- ISO 9001
- IATF 16949
- ISO 13485
- ISO 14001
- ISO 50001
- Wide range of UL, CSA, VG and VDE licenses
- UL certified cable assembly

For a complete list of our certifications, please visit our website.



# ODU MINI-MED®

SMALL – LIGHT – ASSEMBLED



GOOD  
GRIP



BLIND  
MATING



AUDIBLE  
LOCKING



SPACE-  
SAVING



PLUG AND CABLE ASSEMBLY  
FROM A SINGLE SOURCE

## THE ODU MINI-MED® – THE PERFECT CHOICE

This assembled plastic connection will always come in handy when a light, space-saving and watertight cable assembly is required. The ODU MINI-MED can be easily mated and has a break-away function to ensure the quick disconnection of plug and in-line receptacle or receptacle.

This solution offers safe, hassle-free use in fields with hygiene requirements, such as in medical technology. The compact MINI-MED connection can also be used in the industrial electronics or measuring and testing.

### ⊕ IMPRESSIVE – THE ODU MINI-MED®

- 2 to 6 contacts
- >1,000 mating cycles
- IP 67 protection class when mated
- Gold plated contacts with soldered connection
- DEHP-free
- Assembled with PVC cable\* (white)
- Available in these cable lengths:  
0.5m / 5.0m
- PVC cable operating temperature:  
-15°C to +80°C
- Break-away function

\*Silicone cable (grey) upon request.

## APPLICATION OPTIONS

### MEDICAL

- + Portable patient monitor
- + Infusion device
- + Insulin pump
- + Catheter system
- + Blood pressure monitor

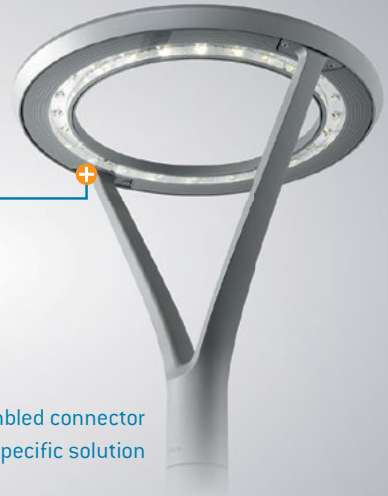


### INDUSTRIAL

- + Handset pad
- + E-bikes
- + High-tech street lights
- + Fitness and wellness machines
- + Barcode scanner



Assembled connector  
as customer-specific solution

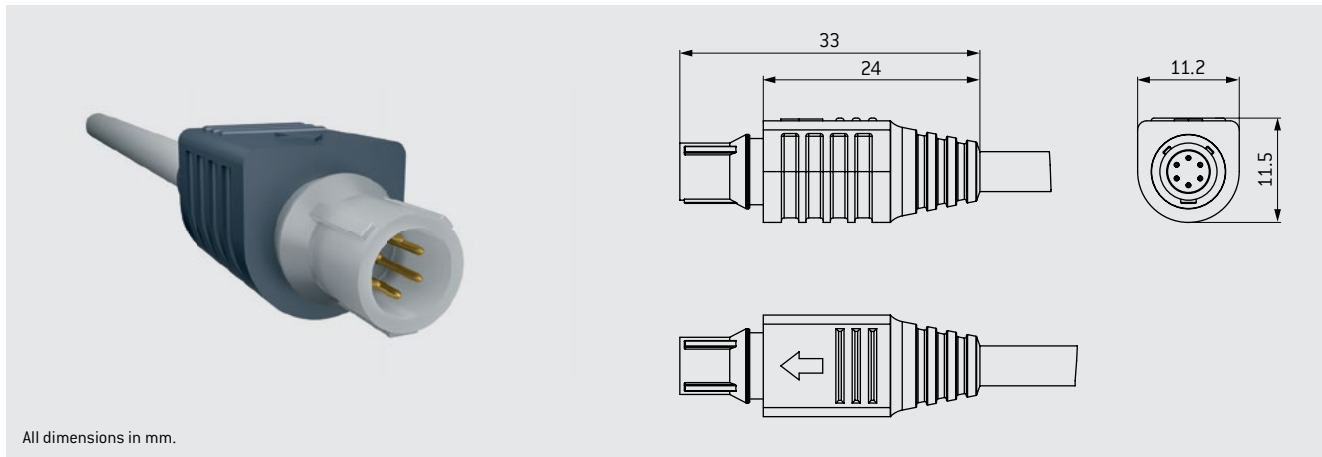


### MEASURING AND TESTING

- + Conductometer
- + I/O connection
- + Measuring sensor



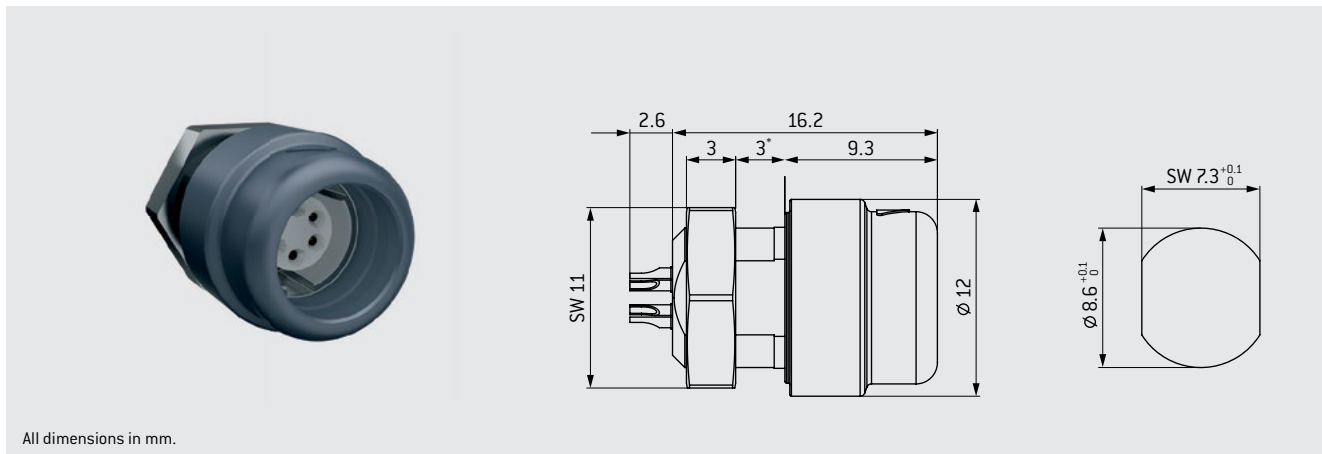
## BREAK-AWAY PLUG (including cable, cable assembly and overmolding)



Number of contacts	Cable length		Cable diameter mm	Termination cross-section	
	0.5 m	5 m		AWG	mm <sup>2</sup>
2	C00.707.100.020.013	C00.707.100.020.018	4.1	22	0.38
3	C00.707.100.030.013	C00.707.100.030.018	4.6	22	0.38
4	C00.707.100.040.013	C00.707.100.040.018	4.1	26	0.14
5	C00.707.100.050.013	C00.707.100.050.018	4.4	26	0.14
6	C00.707.100.060.013	C00.707.100.060.018	4.4	28	0.08

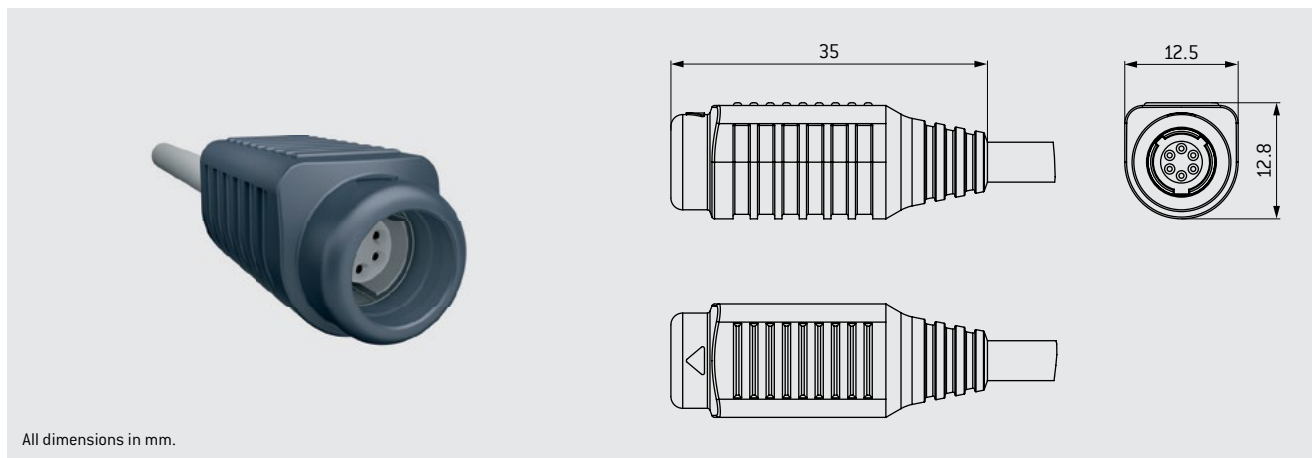
Cable type: PVC. Silicone cable upon request.

## RECEPTACLE



Number of contacts	Part number	Termination cross-section	
		AWG	mm <sup>2</sup>
2	756.199.404.000.000	22	0.38
3	756.199.403.000.000	22	0.38
4	756.199.402.000.000	26	0.14
5	756.199.401.000.000	26	0.14
6	756.199.400.000.000	28	0.08

## IN-LINE RECEPTACLE (including cable, cable assembly and overmolding)



All dimensions in mm.

Number of contacts	Cable length		Cable diameter mm	Termination cross-section	
	0.5 m	5 m		AWG	mm <sup>2</sup>
2	C00.707.100.020.019	C00.707.100.020.024	4.1	22	0.38
3	C00.707.100.030.019	C00.707.100.030.024	4.6	22	0.38
4	C00.707.100.040.019	C00.707.100.040.024	4.1	26	0.14
5	C00.707.100.050.019	C00.707.100.050.024	4.4	26	0.14
6	C00.707.100.060.019	C00.707.100.060.024	4.4	28	0.08

Cable type: PVC. Silicone cable upon request.

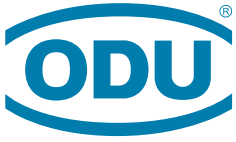
## CONTACT CONFIGURATION

Number of contacts	Contact diameter	Single contact nominal current acc. IEC 60512-5-2:2002 [DIN EN 60512-5-2:2003]	Clearance and creepage distance acc. IEC 60664-1:2007 [VDE 0110-1:2008]	Test voltage acc. SAE AS 13441:2004 method 3001.1	Termination cross-section		View on termination area	
	mm				A	mm	V	AWG
2	0.9	8	0.9	875	22	0.38		
3	0.9	8	0.7	875	22	0.38		
4	0.7	4	0.7	875	26	0.14		
5	0.7	4	0.6	750	26	0.14		
6	0.5	3	0.7	750	28	0.08		

## MATERIALS AND SURFACES

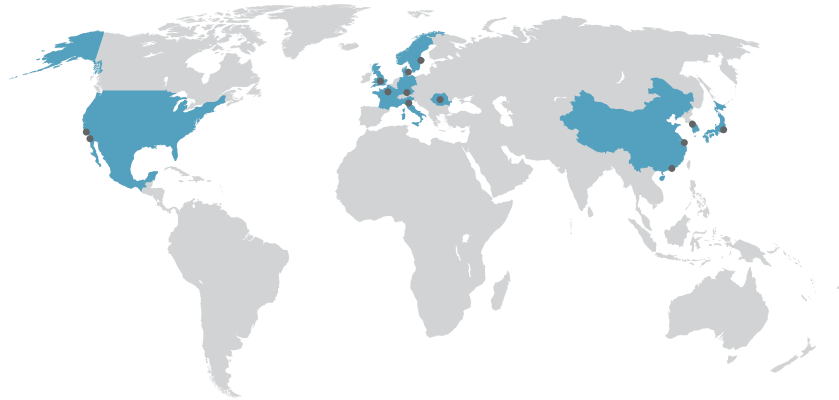
Component	Material designation	Surface
Outer housing	PA	
Contact pin/socket (solder)	Cu-alloy	Au
Inner housing	PC	
Overmold	TPU	
Cable	PVC*	
Nut	Cu-alloy	Ni

\*Silicone cable upon request.



A PERFECT ALLIANCE.

## ODU GROUP WORLDWIDE



### ODU USA

#### ODU-USA, Inc.

300 Camarillo Ranch Road, Suite A, Camarillo, CA 93012, United States of America  
Phone: +1 805 484 - 0540, Fax: +1 805 484 - 7458, E-mail: sales@odu-usa.com

### HEADQUARTERS

#### ODU GmbH & Co. KG

Pregelstraße 11  
84453 Mühldorf a. Inn, Germany  
Phone: +49 8631 6156-0  
Fax: +49 8631 6156-49  
E-mail: sales@odu.de  
www.odu.de

### PRODUCTION AND LOGISTICS SITES

<b>Germany</b>	Otto Dunkel GmbH
<b>China</b>	ODU (Shanghai) Connectors Manufacturing Co.Ltd
<b>Mexico</b>	ODU Mexico Manufacturing S.R.L. de C.V.
<b>Romania</b>	ODU Romania Manufacturing S.R.L.
<b>USA</b>	ODU North American Logistics

Further information and specialized representatives can be found at:  
[www.odu-usa.com/contact](http://www.odu-usa.com/contact)



Simply scan the QR code to download the entire brochure.

### SALES LOCATIONS

**ODU (Shanghai) International Trading Co., Ltd.**  
Phone: +86 21 58347828-0  
E-mail: sales@odu.com.cn  
www.odu.com.cn

**ODU (HK) Trading Co., Ltd.**  
Phone: +852 3963 9588  
E-mail: sales@odu.hk  
www.odu.hk

**ODU Denmark ApS**  
Phone: +45 2233 5335  
E-mail: sales@odu-denmark.dk  
www.odu-denmark.dk

**ODU France SARL**  
Phone: +33 1 3935-4690  
E-mail: sales@odu.fr  
www.odu.fr

**ODU Italia S.R.L.**  
Phone: +39 331 8708847  
E-mail: sales@odu-italia.it  
www.odu-italia.it

**ODU Japan K.K.**  
Phone: +81 3 6441 3210  
E-mail: sales@odu.co.jp  
www.odu.co.jp

**ODU Korea Inc.**  
Phone: +82 2 6964 7181  
E-mail: sales@odu-korea.kr  
www.odu-korea.kr

**ODU Romania Manufacturing SRL**  
Phone: +40 269 704638  
E-mail: sales@odu-romania.ro  
www.odu-romania.ro

**ODU Scandinavia AB**  
Phone: +46 176 18262  
E-mail: sales@odu.se  
www.odu.se

**ODU-UK Ltd.**  
Phone: +44 330 002 0640  
E-mail: sales@odu-uk.co.uk  
www.odu-uk.co.uk

All dimensions are in mm. Some figures are for illustrative purposes only. Subject to change without notice. Errors and omissions excepted. We reserve the right to change our products and their technical specifications at any time in the interest of technical improvement. This publication supersedes all prior publications. This publication is also available as a PDF file that can be downloaded from [www.odu-usa.com](http://www.odu-usa.com)

ODU MINI-MED® BROCHURE // 0921 / B // © 2021 ODU-USA

ODU MINI-MED®