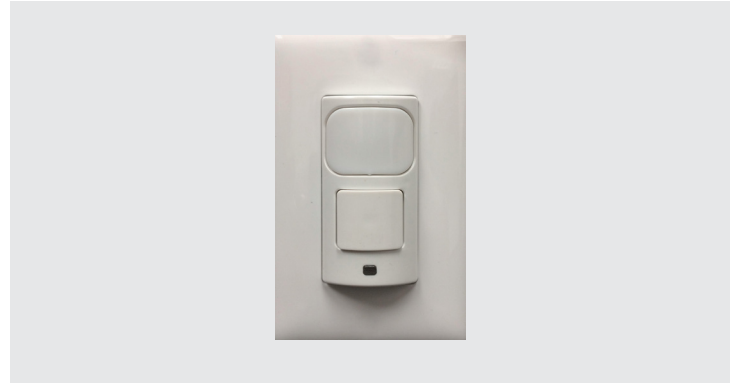


LIGHTHAWK NIGHT LIGHT PASSIVE INFRARED WALL SWITCH SENSOR

WALL SWITCH OCCUPANCY SENSORS

FEATURES

- Digital passive infrared (PIR) sensor
- IntelliDAPT® self-adaptive technology - no manual adjustment required
- Single relay model for on/off switching
- Occupancy (Auto-ON) and Vacancy (Manual-ON) operating modes
- Night light mounted under lens
- RhinoTuff™ vandal resistant lens
- Zero Arc Point Switching
- 120/277VAC and 347VAC models



RELATED PRODUCTS

- Occupancy Sensor Accessories
- LightHAWK PIR
- LightHAWK Dimming PIR
- LightHAWK Dual Tech
- LightHAWK Dimming Dual Tech
- LightHAWK Ultrasonic

SPECIFICATIONS

CONSTRUCTION

- Casing- high- impact injection-molded plastic (UL-94-5V)
- Impact-resistant lens
- Color-coded leads are 6" (152.4mm) long
- Wrap-around galvanized steel mounting strap
- 4.2" H x 1.8" W x 1.75" D; .37" extension (106.69mm H x 44.45mm D; 9.40mm extension)
- 2.9 oz. (82.21g)
- White; Ivory; Light Almond
- Dual-element pyrometer and 12-element cylindrical RhinoTuff lens

MOUNTING

- Single-gang NEMA-style switch box (standard switch box)
- Decorator-style wall plate sold separately

ELECTRICAL

- 120/277VAC; 50/60Hz
- 347VAC; 50/60Hz

ELECTRICAL CONTINUED

- 24VDC (requires UVPP)
- 120VAC: 800W Incandescent/Electronic Ballast/LED Driver: 1,000W Magnetic Ballast, 1/6 HP Motor
- 277VAC: 1,800W Magnetic Ballast/Electronic Ballast/LED Driver: 1/6 HP Motor
- 347VAC: 1,500W Magnetic Ballast/Electronic Ballast/LED Driver: 1/6 HP Motor

OPERATION

- IntelliDAPT
 - Self-adjusting timer
 - Self-adjusting Ultrasonic (US) and passive infrared (PIR) sensitivity
 - Automatic false-on/false-off corrections
 - No manual adjustments required
- Coverage
 - 1,000 square-foot, 180° coverage area
 - Natural light override range: 10-500 foot-candles

OPERATION CONTINUED

- Timer Settings
 - Auto mode: 4-30 minutes; self-adjusts based on occupancy
 - Fixed mode: 4, 8, 15 and 30 minutes
 - Test mode: 5 seconds

OPERATING ENVIRONMENT

- Indoor use only
- Operating temperature: 32° to 104°F (0° to 40°C)
- Relative humidity (non-condensing): 0% to 95%

CERTIFICATIONS

- UL and cUL listed
- California Title 24 compliant

WARRANTY

- 5 year warranty
- See [HLI Standard Warranty](#) for additional information

ORDERING GUIDE

Example: LHN-IRS1-N-WH

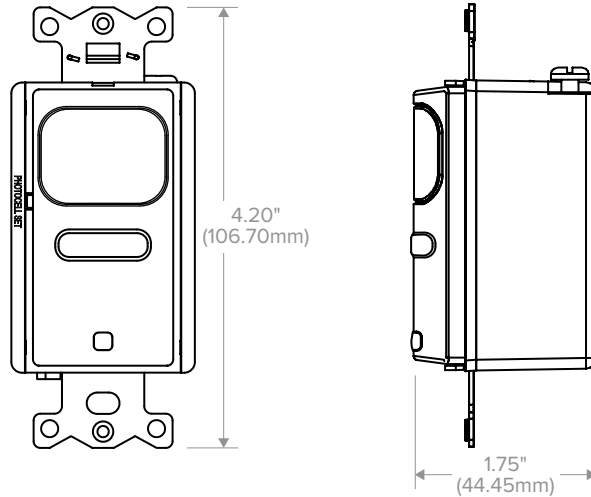
CATALOG #

Model	Buttons	Wiring	Color	Mode
LHN-IRS	1	N Neutral (120/277V) N347 Neutral (347V)	WH White IV Ivory LA Light Almond	Blank Switchable Vacancy or Occupancy Mode M Vacancy Mode Only

LIGHTHAWK NIGHT LIGHT PASSIVE INFRARED WALL SWITCH SENSOR

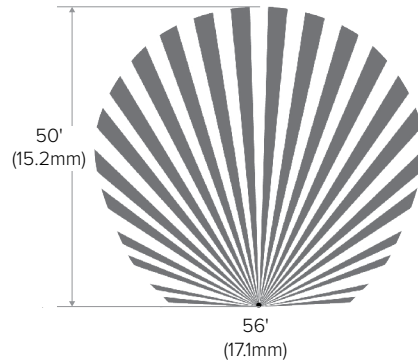
WALL SWITCH OCCUPANCY SENSORS

DIMENSIONS



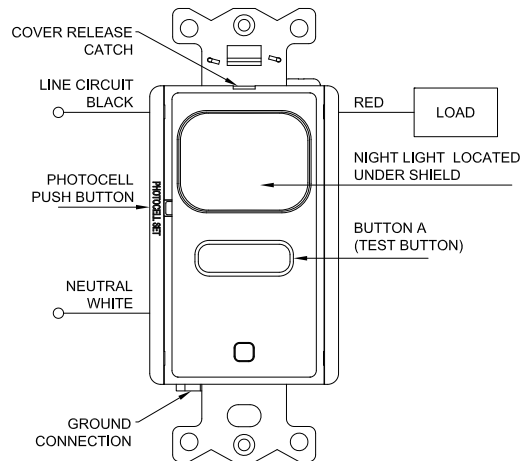
ADDITIONAL INFORMATION

Coverage Pattern



IR Motion

Wiring Diagram



Single Load Wiring