



DSC150X/DSC152X

Low-Power Low-Jitter MEMS Oscillators

Features

- Any Frequency Between:
 - 2.3 MHz to 170 MHz (2.5V and 3.3V)
 - 2.3 MHz to 125 MHz (1.8V)
- Exceptional Total Stability Over Temperature
 ± 20 ppm, ± 25 ppm, ± 50 ppm
- Low Phase Jitter (1 ps Typical)
- Operating Voltage 1.8V/2.5V to 3.3V
- Standby Mode for Battery Life Saving
- Fast Startup Time (2.5 ms Typical)
- Extended Temperature Range: -40°C to $+125^{\circ}\text{C}$
- Low Operation Current (6.5 mA Typical)
- Ultra-Small Footprints:
 - 2.0 mm x 1.6 mm LGA Package
 - 2.5 mm x 2.0 mm LGA Package
 - 7.0 mm x 5.0 mm DFN Package
- High Reliability: 20x Better MTF than Quartz Oscillators
- MIL-STD 883 Shock and Vibration Resistant
- Lead-Free and RoHS-Compliant

Applications

- USB, SATA, SAS Reference Clock
- 100M/1G/10G Ethernet Clock
- IP Cam, DVR, OTT-Box
- Storage/SSD
- IoT Terminal/Gateway

Benefits

- Pin for Pin “Drop-In” Replacement for Industry Standard Oscillators
- Semiconductor-Level Reliability, Significantly Higher than Quartz
- Short Production Lead Time
- Longer Battery Life/Reduced Power Consumption
- Compact Plastic Package
- Cost Effective

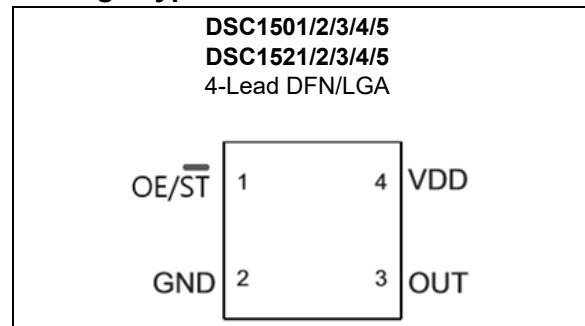
General Description

The DSC1501/2/3/4/5 and DSC1521/2/3/4/5 are industry-leading MEMS oscillators that offer excellent jitter and stability performance at very low power over a wide range of supply voltage (1.71V to 3.63V) and temperature (-40°C to $+125^{\circ}\text{C}$). The devices operate from 2.3 MHz to 170 MHz with 2.5V and 3.3V supply voltage and from 2.3 MHz to 125 MHz with 1.8V supply voltage.

The devices incorporate an all-silicon resonator that is extremely robust. A MEMS-based design allows for a higher level of reliability, making the DSC150x/DSC152x ideal for rugged, industrial, and portable applications where stress, shock, and vibrations can damage quartz crystal-based systems. The devices are also an excellent choice as clock reference for small, battery-operated devices, such as wearables and Internet-of-Things (IoT) devices.

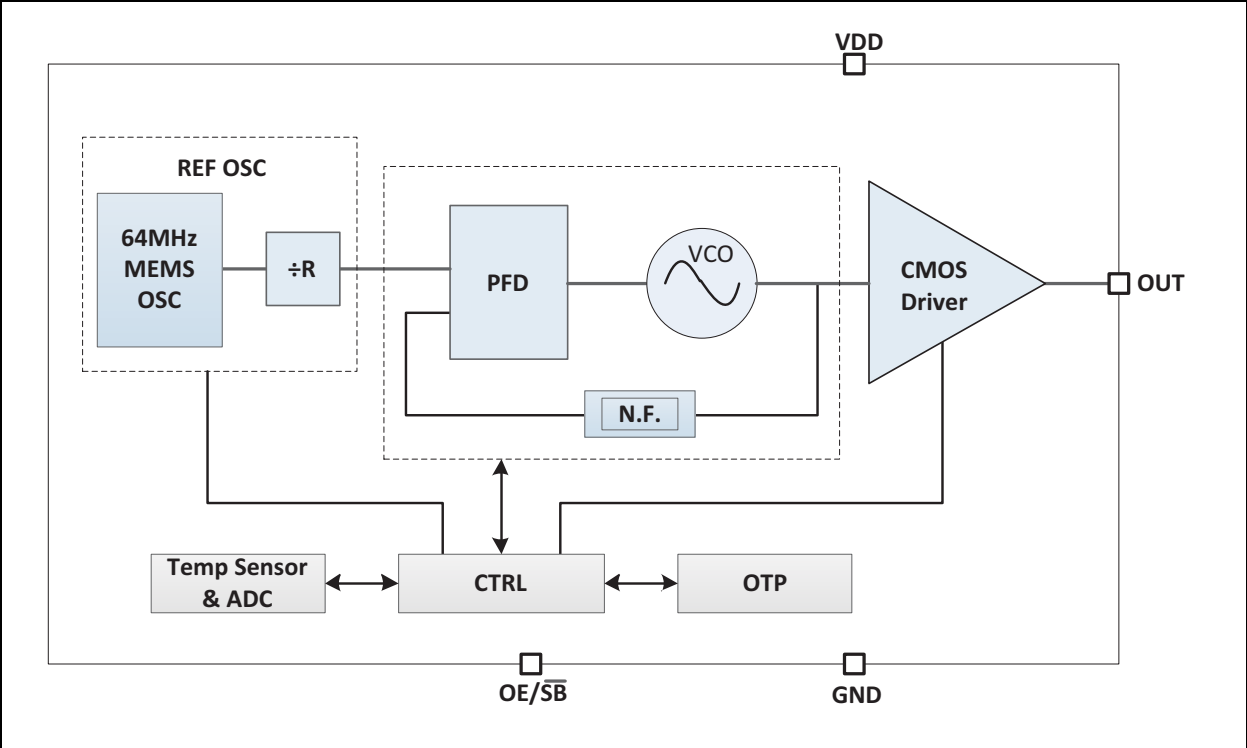
Available in industry standard packages, the DSC150x/DSC152x can be a drop-in replacement to standard crystal oscillators.

Package Type



DSC150X/DSC152X

Functional Block Diagram



1.0 ELECTRICAL CHARACTERISTICS

Absolute Maximum Ratings † ††

Supply Voltage (V_{CC})	-0.3V to +4.0V
LVTTL Input Voltage	-0.3V to $V_{DD} + 0.3V$
ESD Protection (HBM)	4 kV
ESD Protection (MM)	400V
ESD Protection (CDM)	2 kV

† **Notice:** Stresses above those listed under “Absolute Maximum Ratings” may cause permanent damage to the device. This is a stress rating only and functional operation of the device at those or any other conditions above those indicated in the operational sections of this specification is not intended. Exposure to maximum rating conditions for extended periods may affect device reliability.

†† **Notice:** The data sheet limits are not guaranteed if the device is operated beyond the recommended operating conditions.

ELECTRICAL CHARACTERISTICS

Electrical Characteristics: $V_{DD} = 1.8V +10\%/ -5\%$, $V_{DD} = 2.5V \pm 10\%$, $V_{DD} = 3.3V \pm 10\%$; $T_A = -40^\circ C$ to $+125^\circ C$, unless noted.

Parameter	Symbol	Min.	Typ.	Max.	Units	Conditions	
Supply Voltage	V_{DD}	2.25	—	3.63	V	Note 1, DSC1501/2/3, DSC1521/2/3	
		1.71	—	1.98		Note 1, DSC1504/5, DSC1524/5	
Power Supply Ramp	t_{PU}	0.1	—	100	ms	Note 2	
Supply Current	I_{DD}	—	6.5	7.5	mA	$f_0 = 20$ MHz, $V_{DD} = 3.3V$, no load, output enabled	
		—	6.5	7.8		$f_{VCO} = 141.249$ MHz, $V_{DD} = 3.3V$, no load, output disabled	
Standby Current	$I_{STDBY_}$	—	1	—	μA	$V_{DD} = 1.8V/2.5V$	
		—	1.8	—		$V_{DD} = 3.3V$	
Input Logic Levels	V_{IH}	$0.7 \times V_{DD}$	—	—	V	Input logic High, Note 3	
	V_{IL}	—	—	$0.3 \times V_{DD}$		Input logic Low, Note 3	
Output Logic Levels	V_{OH}	$0.8 \times V_{DD}$	—	—	V	$V_{DD} = 3.3V$	$I_{OH} = -16$ mA, Std. drive
			—	—			$I_{OH} = -12$ mA, Medium drive
			—	—			$I_{OH} = -6$ mA, Low drive
			—	—	$V_{DD} = 2.5V$	$I_{OH} = -10$ mA, Std. drive	
			—	—		$I_{OH} = -6$ mA, Medium drive	
			—	—		$I_{OH} = -3$ mA, Low drive	
			—	—	$V_{DD} = 1.8V$	$I_{OH} = -4$ mA, Standard drive	
			—	—		$I_{OH} = -2$ mA, Low drive	
Output Logic Levels	V_{OL}	$0.2 \times V_{DD}$	—	—	V	$V_{DD} = 3.3V$	$I_{OL} = 16$ mA, Standard drive
			—	—			$I_{OL} = 12$ mA, Medium drive
			—	—			$I_{OL} = 6$ mA, Low drive
			—	—	$V_{DD} = 2.5V$	$I_{OL} = 10$ mA, Standard drive	
			—	—		$I_{OL} = 6$ mA, Medium drive	
			—	—		$I_{OL} = 3$ mA, Low drive	
			—	—	$V_{DD} = 1.8V$	$I_{OL} = 4$ mA, Standard drive	
			—	—		$I_{OL} = 2$ mA, Low drive	
Output Duty Cycle	—	47	—	53	%	—	

DSC150X/DSC152X

ELECTRICAL CHARACTERISTICS (CONTINUED)

Electrical Characteristics: $V_{DD} = 1.8V \pm 10\%/-5\%$, $V_{DD} = 2.5V \pm 10\%$, $V_{DD} = 3.3V \pm 10\%$; $T_A = -40^\circ C$ to $+125^\circ C$, unless noted.

Parameter	Symbol	Min.	Typ.	Max.	Units	Conditions
Frequency	f_0	2.3	—	170	MHz	Standard drive $V_{DD} = 3.3V$ and $V_{DD} = 2.5V$
		2.3	—	125		Medium drive
		2.3	—	50		Low drive
		2.3	—	125		Standard drive $V_{DD} = 1.8V$
		2.3	—	60		Low drive
Frequency Stability	Δf	—	± 20	—	ppm	All temperature ranges
		—	± 25	—		
		—	± 50	—		
Aging	Δf	—	± 5	—	ppm	First year @ $25^\circ C$
		—	± 1	—		Per year after first year
Startup Time	t_{SU}	—	2.5	—	ms	From 90% V_{DD} until the output starts toggling
Output Disable Time	t_{ODS}	—	15	—	ns	From OE toggle to output OFF
Output Enable Time	t_{ENOE}	—	—	1	μs	Pin 1 configured as OE
	t_{ENST}	—	—	2	ms	Pin 1 configured as Standby
Enable Pull-up Resistor	—	70	—	—	k Ω	Pull-up resistor at pin 1
Output Transition Time	t_R/t_F	—	1.4/1.3	—	ns	$V_{DD} = 1.8V$ DSC1505, Std drive 20%-80%, $C_L = 10$ pF
		—	1.1/1.0	—		$V_{DD} = 2.5V$ DSC1502, Std drive
		—	1.2/1.0	—		$V_{DD} = 3.3V$ 20%-80%, $C_L = 10$ pF
		—	3.0/2.4	—		$V_{DD} = 1.8V$ DSC1504, Low drive 20%-80%, $C_L = 10$ pF
		—	1.9/1.7	—		$V_{DD} = 2.5V$ DSC1501, Med drive
		—	1.4/1.1	—		$V_{DD} = 3.3V$ 20%-80%, $C_L = 10$ pF
		—	4.5/4.1	—		$V_{DD} = 2.5V$ DSC1503, Low drive
		—	3.4/2.9	—		$V_{DD} = 3.3V$ 20%-80%, $C_L = 10$ pF
Cycle-to-Cycle Jitter (Peak)	J_{CC}	—	40	—	ps	$f_{OUT} = 25$ MHz
		—	18	—		
		—	15	—		
Period Jitter, RMS	J_{PER}	—	6	—	ps	$f_{OUT} = 25$ MHz
		—	2.5	—		
		—	2.5	—		
Period Jitter (Peak-to-Peak)	J_{PP}	—	45	—	ps	$f_{OUT} = 25$ MHz
		—	20	—		
		—	18	—		
Integrated Phase Noise	J_{PH}	—	1	—	ps _{RMS}	$f_{OUT} = 100$ MHz $V_{DD} = 3.3V$ 12 kHz to 20 MHz,

Note 1: V_{DD} pin should be filtered with a 0.1 μF capacitor.

Note 2: Time to reach 90% of target V_{DD} . Power ramp must be monotonic.

Note 3: Input waveform must be monotonic with rise/fall time < 10 ms.

TEMPERATURE SPECIFICATIONS

Parameters	Symbol	Min.	Typ.	Max.	Units	Conditions
Temperature Ranges						
Operating Ambient Temperature Range	T_A	-40	—	+125	°C	—
Junction Operating Temperature	T_J	—	—	+125	°C	Note 1
Storage Temperature Range	T_S	-55	—	+150	°C	—
Lead Temperature	—	—	+260		°C	Soldering, 20 sec.

Note 1: The maximum allowable power dissipation is a function of ambient temperature, the maximum allowable junction temperature and the thermal resistance from junction to air (i.e., T_A , T_J , Ψ_{JA}). Exceeding the maximum allowable power dissipation will cause the device operating junction temperature to exceed the maximum +125°C rating. Sustained junction temperatures above +125°C can impact the device reliability.

DSC150X/DSC152X

2.0 PIN DESCRIPTIONS

The descriptions of the pins are listed in [Table 2-1](#).

TABLE 2-1: PIN FUNCTION TABLE

Pin Number	Pin Name	Description
1	OE	Output Enabled: H = Output buffer Enabled, L = Disabled (High impedance): External pull-up recommended for normal operation.
	$\overline{\text{STB}}$	Standby: H = Device is active, L = Device is in Standby (Both output buffer and PLL disabled): External pull-up recommended for normal operation.
2	GND	Ground
3	OUT	Oscillator clock output
4	VDD	Power Supply: 1.71V to 3.63V

3.0 TYPICAL PHASE NOISE PLOT

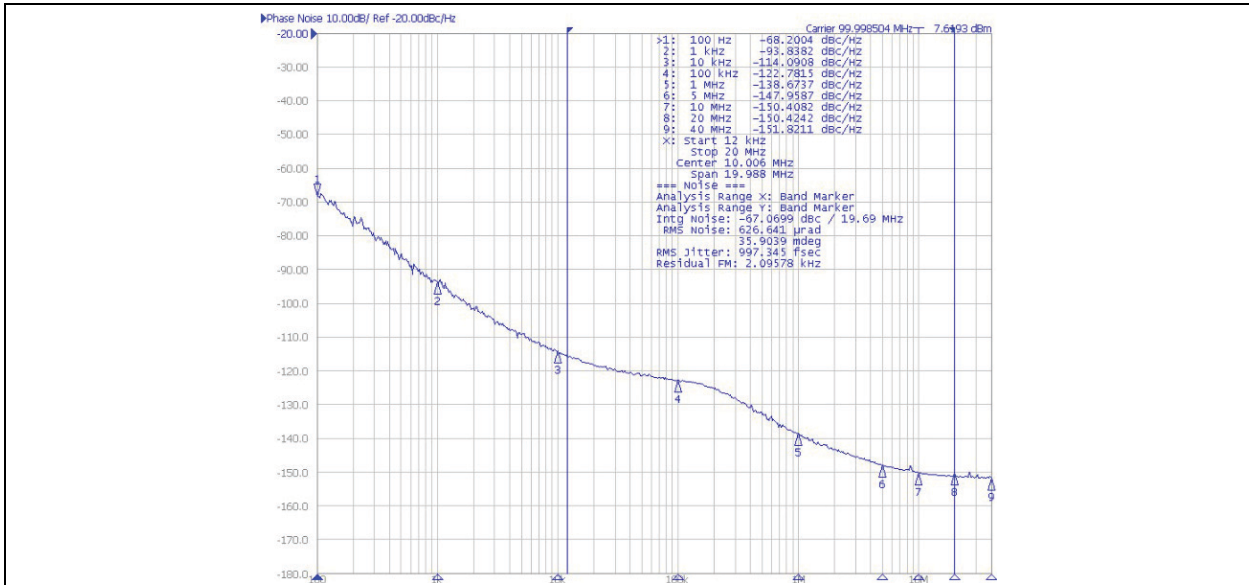


FIGURE 3-1: Typical Phase Noise @ 25°C, 100 MHz, 3.3V.

4.0 OUTPUT WAVEFORM

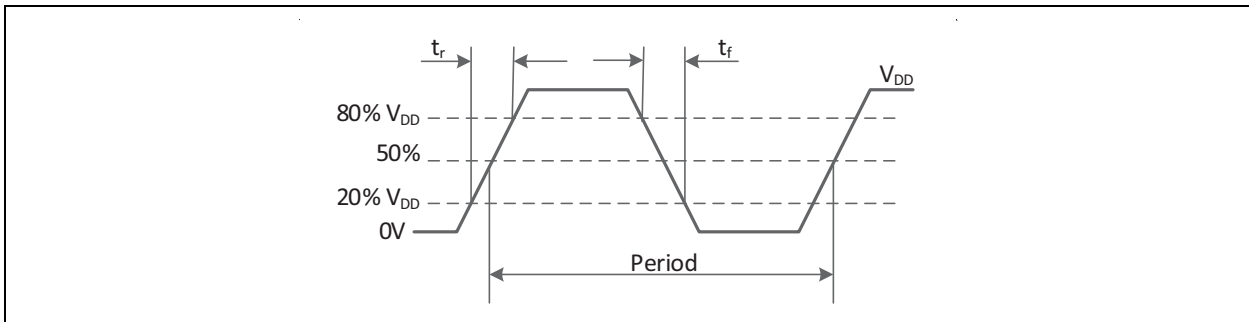


FIGURE 4-1: Output Waveform.

5.0 TEST CIRCUIT

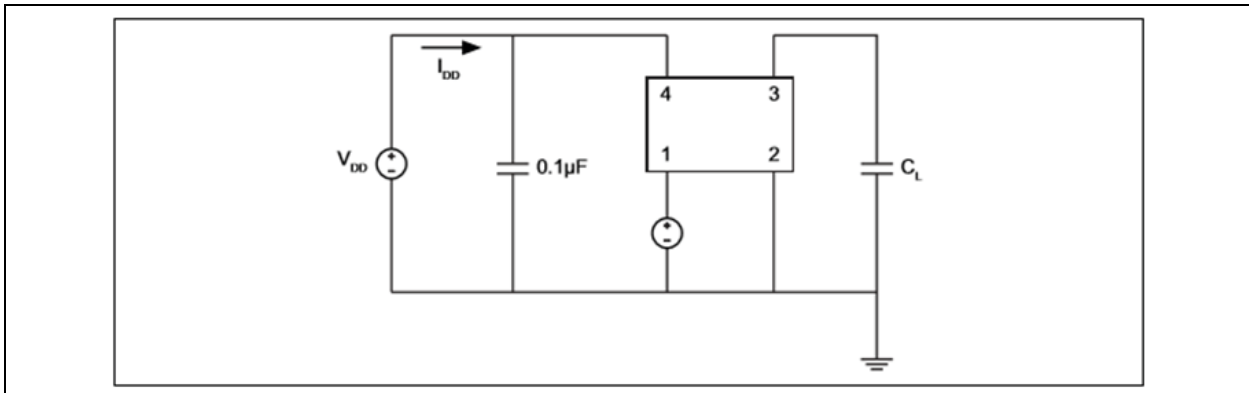


FIGURE 5-1: Test Circuit.

DSC150X/DSC152X

6.0 TIMING DIAGRAMS

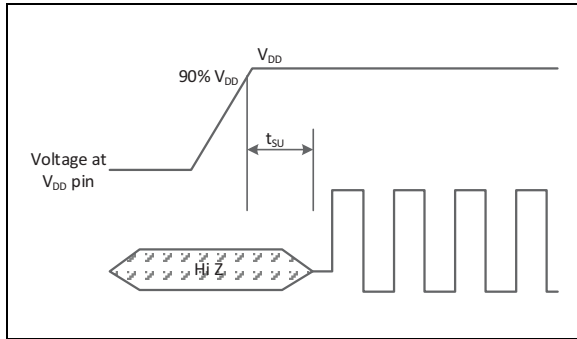


FIGURE 6-1: Start-Up Time.

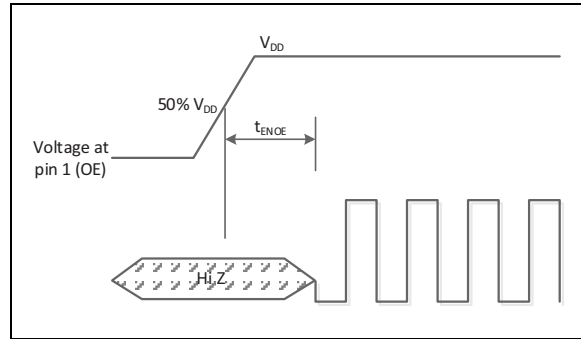


FIGURE 6-3: Enable Time with Pin 1 Configured as OE.

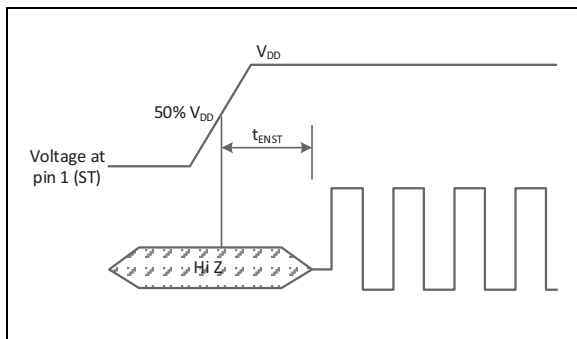


FIGURE 6-2: Enable Time with Pin 1 Configured as Standby (STB).

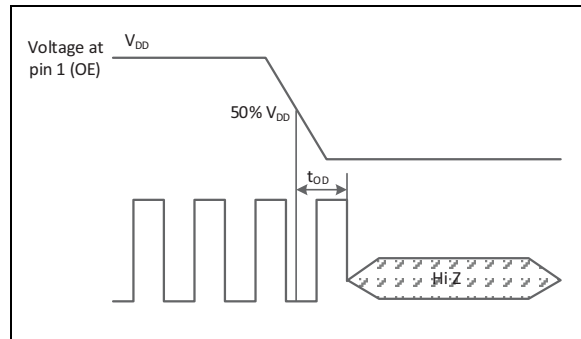


FIGURE 6-4: Disable Time with Pin 1 Configured as OE.

As shown, the output Enable/Disable in OE mode (pin 1 configured as OE) happens at the clock falling edge while in Standby mode (pin 1 configured as STB) it happens asynchronously.

7.0 SOLDER REFLOW PROFILE

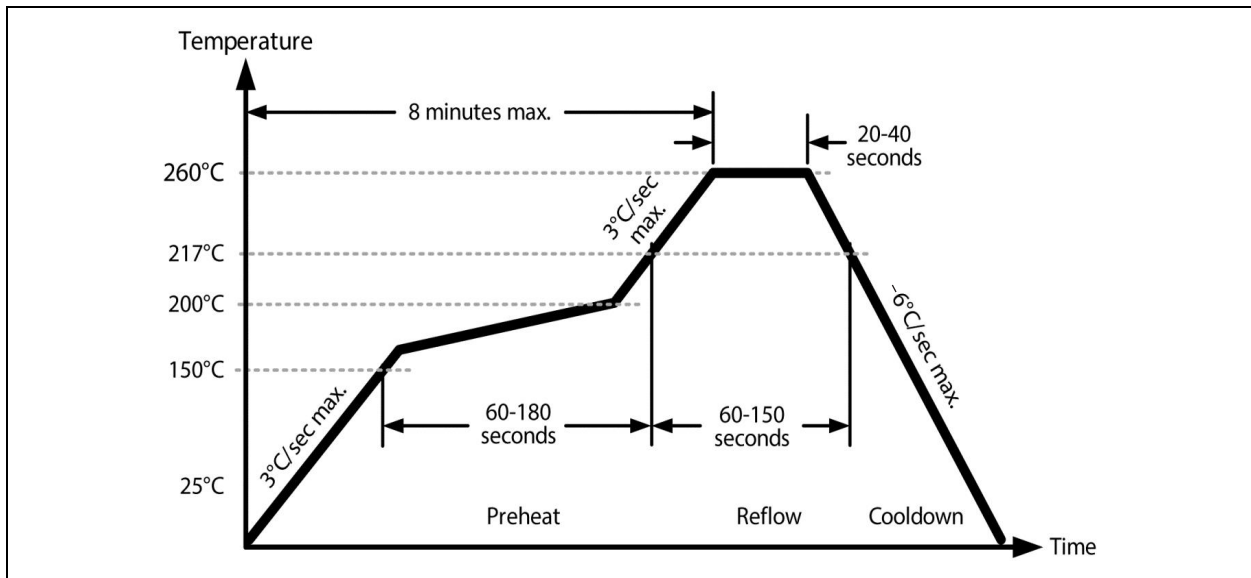


FIGURE 7-1: Solder Reflow Profile.

TABLE 7-1: SOLDER REFLOW

MSL 1 @ 250°C Refer to JSTD-020C	
Ramp-Up Rate (200°C to Peak Temp.)	3°C/sec. max.
Preheat Time 150°C to 200°C	60 to 180 sec.
Time Maintained above 217°C	60 to 150 sec.
Peak Temperature	255°C to 260°C
Time within 5°C of Actual Peak	20 to 40 sec.
Ramp-Down Rate	-6°C/sec. max.
Time 25°C to Peak Temperature	8 minutes max.

DSC150X/DSC152X

8.0 FUNCTIONAL DESCRIPTION

The DSC150x/DSC152x are MEMS-based CMOS oscillators that combine excellent jitter and stability performance at a very low power over a wide range of supply voltage and temperature. The device operates from 2.3 MHz to 170 MHz with 2.5V and 3.3V supply voltage and from 2.3 MHz to 125 MHz with 1.8V supply voltage over -40°C to $+125^{\circ}\text{C}$ temperature range. It has four pins and comes in different industry-standard package sizes.

The standard DSC150x/DSC152x comes with standard output drive strength with optional low and high drive strengths (see [Table 8-1](#)). Low output drive strength offers slower edge rates for lower EMI interference.

TABLE 8-1: OUTPUT DRIVE STRENGTH

Device	CMOS Output Strength
DSC1501/21	LVC MOS Medium drive (2.5V/3.3V)
DSC1502/22	LVC MOS Standard drive (2.5V/3.3V)
DSC1503/23	LVC MOS Low drive (2.5V/3.3V)
DSC1504/24	LVC MOS Low drive (1.8V)
DSC1505/25	LVC MOS Standard drive (1.8V)

Pin 1 can be programmed to implement Enable function (OE) or Standby function (STB).

TABLE 8-2: ENABLE AND STANDBY FUNCTION

Control Pin (Pin 1) Definition			
P/N	Function	Pin 1 High	Pin 1 Low
DSC150x	Standby	Active	Standby
DSC152x	Enable/Disable	Enable	Disable

Users can build the part with their desired output drive strength and pin 1 control pin options by using the ClockWorks Configurator online tool.

9.0 RECOMMENDED BOARD LAYOUT

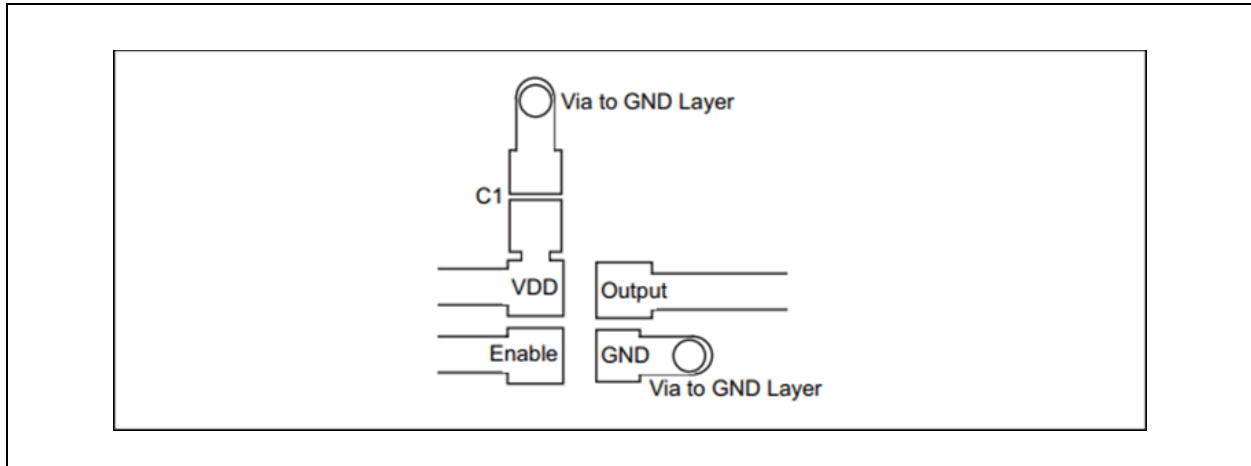
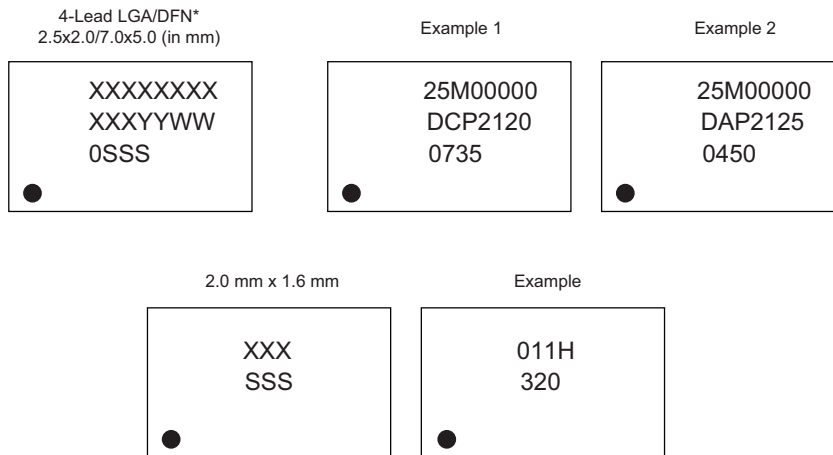


FIGURE 9-1: Recommended Board Layout.

DSC150X/DSC152X

10.0 PACKAGING INFORMATION

10.1 Package Marking Information

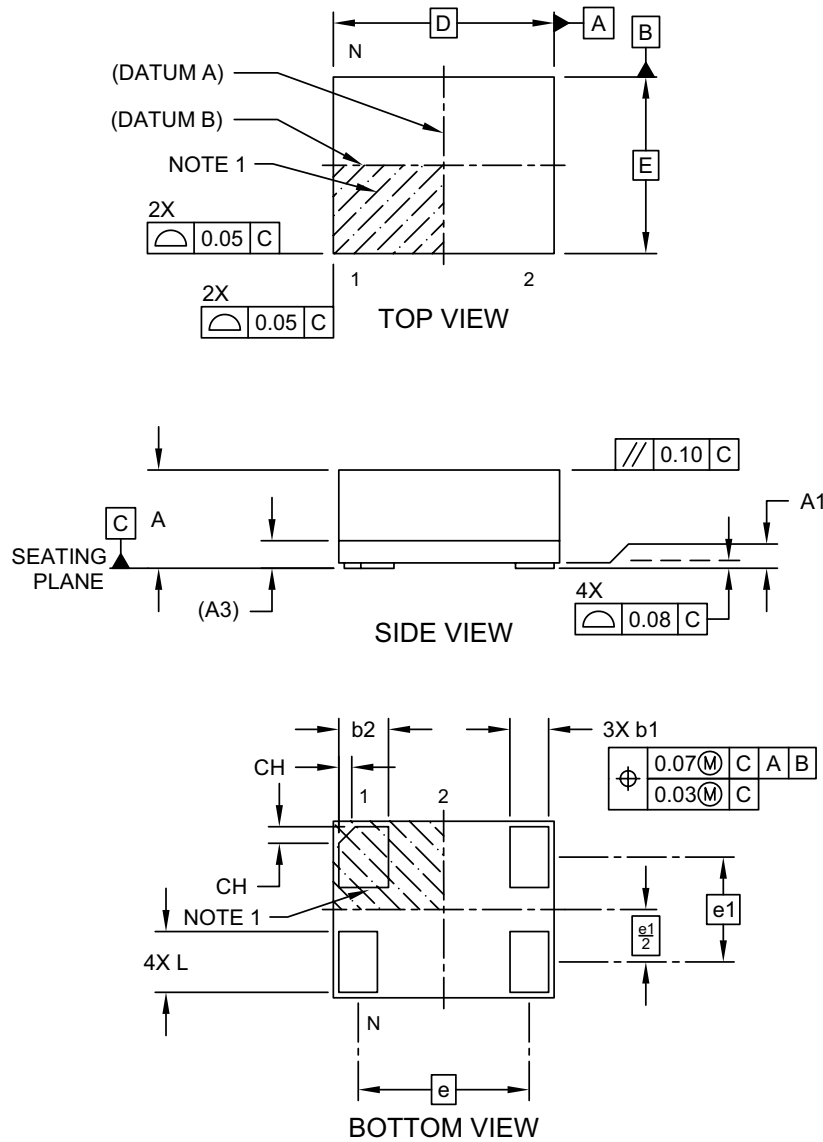


Legend:	XX...X	Product code or customer-specific information
	Y	Year code (last digit of calendar year)
	YY	Year code (last 2 digits of calendar year)
	WW	Week code (week of January 1 is week '01')
	SSS	Alphanumeric traceability code
	(e3)	Pb-free JEDEC® designator for Matte Tin (Sn)
	*	This package is Pb-free. The Pb-free JEDEC designator ((e3)) can be found on the outer packaging for this package.
	•, ▲, ▼	Pin one index is identified by a dot, delta up, or delta down (triangle mark).
Note:	In the event the full Microchip part number cannot be marked on one line, it will be carried over to the next line, thus limiting the number of available characters for customer-specific information. Package may or may not include the corporate logo.	
	Underbar (¯) and/or Overbar (˘) symbol may not be to scale.	

4-Lead Very Thin Fine Pitch Land Grid Array (ASA) 2.0 mm x 1.6 mm Package Outline and Recommended Land Pattern (VFLGA)

4-Lead Very Thin Fine Pitch Land Grid Array (ASA) - 2.0x1.6 mm Body [VFLGA]

Note: For the most current package drawings, please see the Microchip Packaging Specification located at <http://www.microchip.com/packaging>

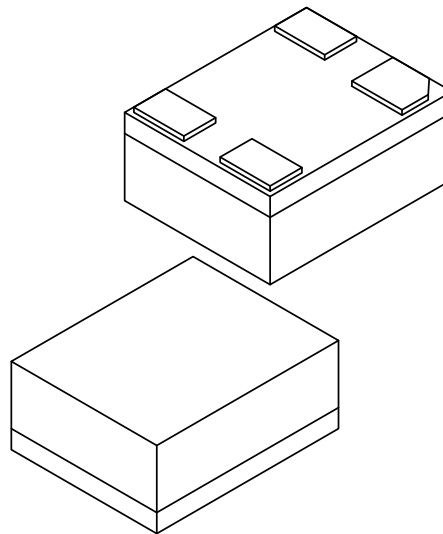


Microchip Technology Drawing C04-C04-1200 Rev B Sheet 1 of 2

DSC150X/DSC152X

4-Lead Very Thin Fine Pitch Land Grid Array (ASA) - 2.0x1.6 mm Body [VFLGA]

Note: For the most current package drawings, please see the Microchip Packaging Specification located at <http://www.microchip.com/packaging>



Dimension Limits	Units	MILLIMETERS		
		MIN	NOM	MAX
Number of Terminals	N	6		
Terminal Pitch	e	1.55 BSC		
Terminal Pitch	e1	0.95 BSC		
Overall Height	A	0.79	0.84	0.89
Standoff	A1	0.00	0.02	0.05
Substrate Thickness (with Terminals)	A3	0.20 REF		
Overall Length	D	2.00 BSC		
Overall Width	E	1.60 BSC		
Terminal Width	b1	0.30	0.35	0.40
Terminal Width	b2	0.40	0.45	0.50
Terminal Length	L	0.50	0.55	0.60
Terminal 1 Index Chamfer	CH	-	0.15	-

Notes:

1. Pin 1 visual index feature may vary, but must be located within the hatched area.
2. Package is saw singulated
3. Dimensioning and tolerancing per ASME Y14.5M

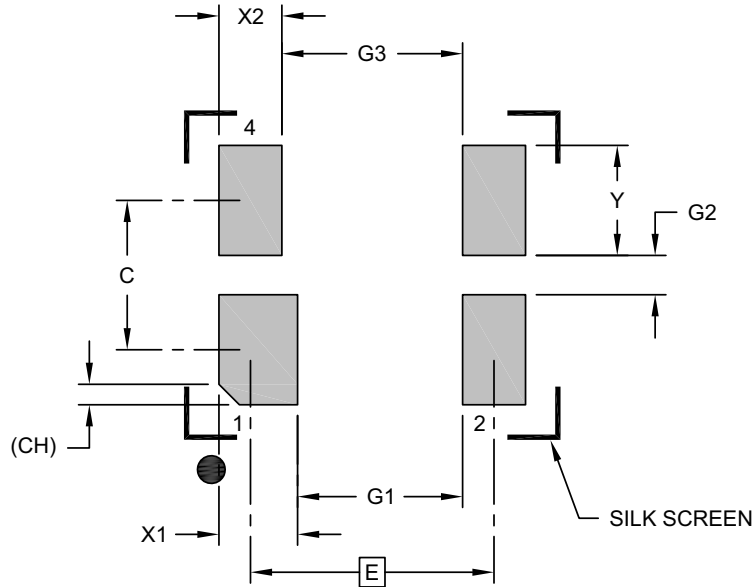
BSC: Basic Dimension. Theoretically exact value shown without tolerances.

REF: Reference Dimension, usually without tolerance, for information purposes only.

Microchip Technology Drawing C04-C04-1200 Rev B Sheet 2 of 2

4-Lead Very Thin Fine Pitch Land Grid Array (ASA) - 2.0x1.6 mm Body [VFLGA]

Note: For the most current package drawings, please see the Microchip Packaging Specification located at <http://www.microchip.com/packaging>



RECOMMENDED LAND PATTERN

Dimension Limits	Units	MILLIMETERS		
		MIN	NOM	MAX
Contact Pitch	E	1.55 BSC		
Contact Spacing	C		0.95	
Contact Width (X4)	X1			0.50
Contact Width (X2)	X2			0.40
Contact Pad Length (X6)	Y			0.70
Space Between Contacts	G1	1.05		
Space Between Contacts (X2)	G2	0.25		
Space Between Contacts	G3	1.15		
Contact 1 Index Chamfer	CH	0.13 X 45° REF		

Notes:

1. Dimensioning and tolerancing per ASME Y14.5M
BSC: Basic Dimension. Theoretically exact value shown without tolerances.

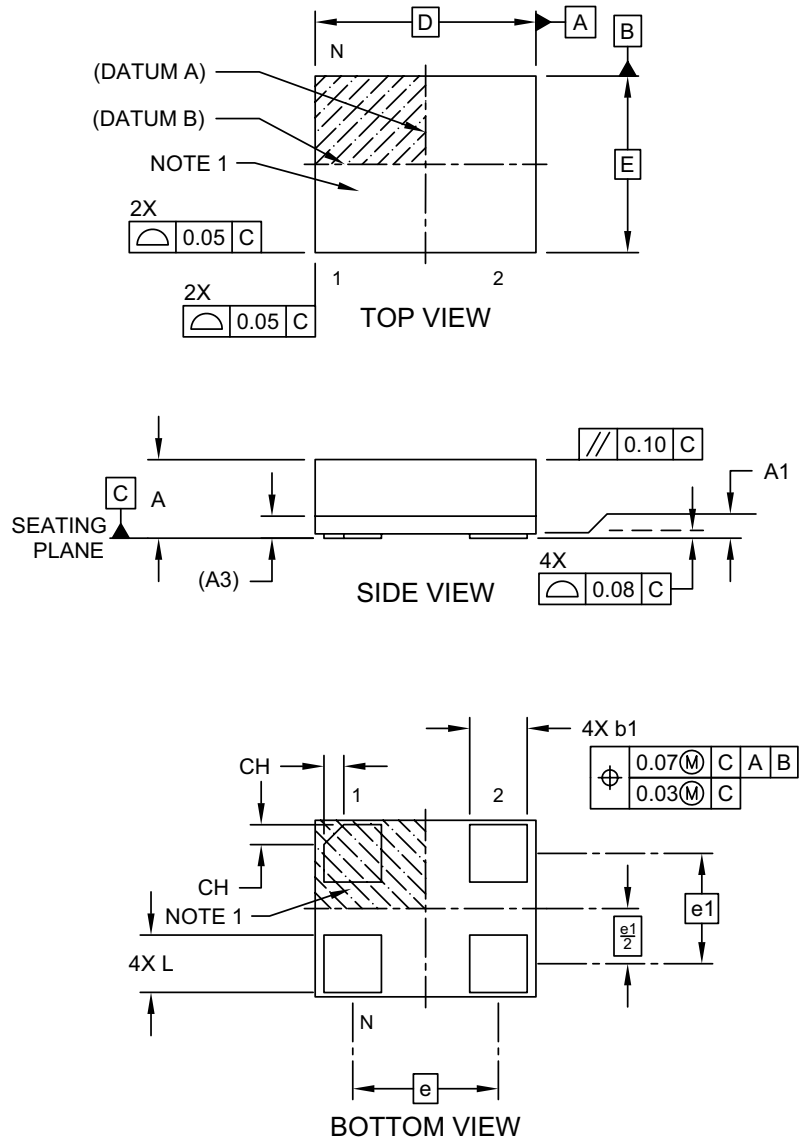
Microchip Technology Drawing C04-3200 Rev B

DSC150X/DSC152X

4-Lead Very Thin Land Grid Array (AUA) 2.5 mm x 2.0 mm Package Outline and Recommended Land Pattern (VLGA)

4-Lead Very Thin Land Grid Array (AUA) - 2.5x2.0 mm Body [VLGA]

Note: For the most current package drawings, please see the Microchip Packaging Specification located at <http://www.microchip.com/packaging>

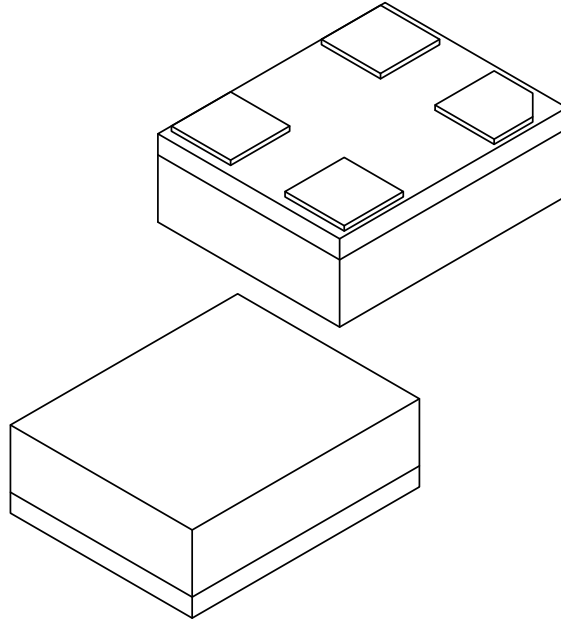


Microchip Technology Drawing C04-1202A Sheet 1 of 2

DSC150X/DSC152X

4-Lead Very Thin Land Grid Array (AUA) - 2.5x2.0 mm Body [VLGA]

Note: For the most current package drawings, please see the Microchip Packaging Specification located at <http://www.microchip.com/packaging>



Dimension Limits	Units	MILLIMETERS		
		MIN	NOM	MAX
Number of Terminals	N	4		
Terminal Pitch	e	1.65 BSC		
Terminal Pitch	e1	1.25 BSC		
Overall Height	A	0.79	0.84	0.89
Standoff	A1	0.00	0.02	0.05
Substrate Thickness (with Terminals)	A3	0.20 REF		
Overall Length	D	2.50 BSC		
Overall Width	E	2.00 BSC		
Terminal Width	b1	0.60	0.65	0.70
Terminal Length	L	0.60	0.65	0.70
Terminal 1 Index Chamfer	CH	-	0.225	-

Notes:

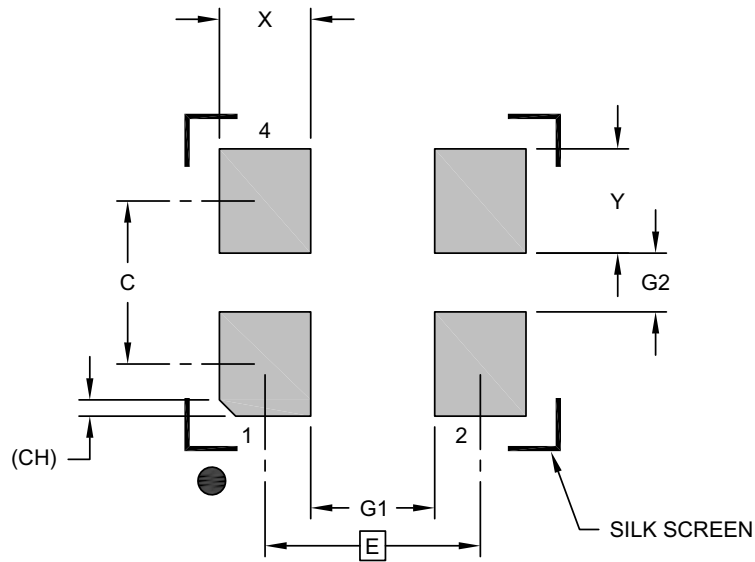
1. Pin 1 visual index feature may vary, but must be located within the hatched area.
2. Package is saw singulated
3. Dimensioning and tolerancing per ASME Y14.5M
BSC: Basic Dimension. Theoretically exact value shown without tolerances.
REF: Reference Dimension, usually without tolerance, for information purposes only.

Microchip Technology Drawing C04-1202A Sheet 2 of 2

DSC150X/DSC152X

4-Lead Very Thin Land Grid Array (AUA) - 2.5x2.0 mm Body [VLGA]

Note: For the most current package drawings, please see the Microchip Packaging Specification located at <http://www.microchip.com/packaging>



RECOMMENDED LAND PATTERN

Dimension Limits	Units	MILLIMETERS		
		MIN	NOM	MAX
Contact Pitch	E	1.65 BSC		
Contact Spacing	C		1.25	
Contact Width (X4)	X			0.70
Contact Pad Length (X6)	Y			0.80
Space Between Contacts (X4)	G1	0.95		
Space Between Contacts (X3)	G2	0.45		
Contact 1 Index Chamfer	CH	0.13 X 45° REF		

Notes:

1. Dimensioning and tolerancing per ASME Y14.5M

BSC: Basic Dimension. Theoretically exact value shown without tolerances.

Microchip Technology Drawing C04-3202A

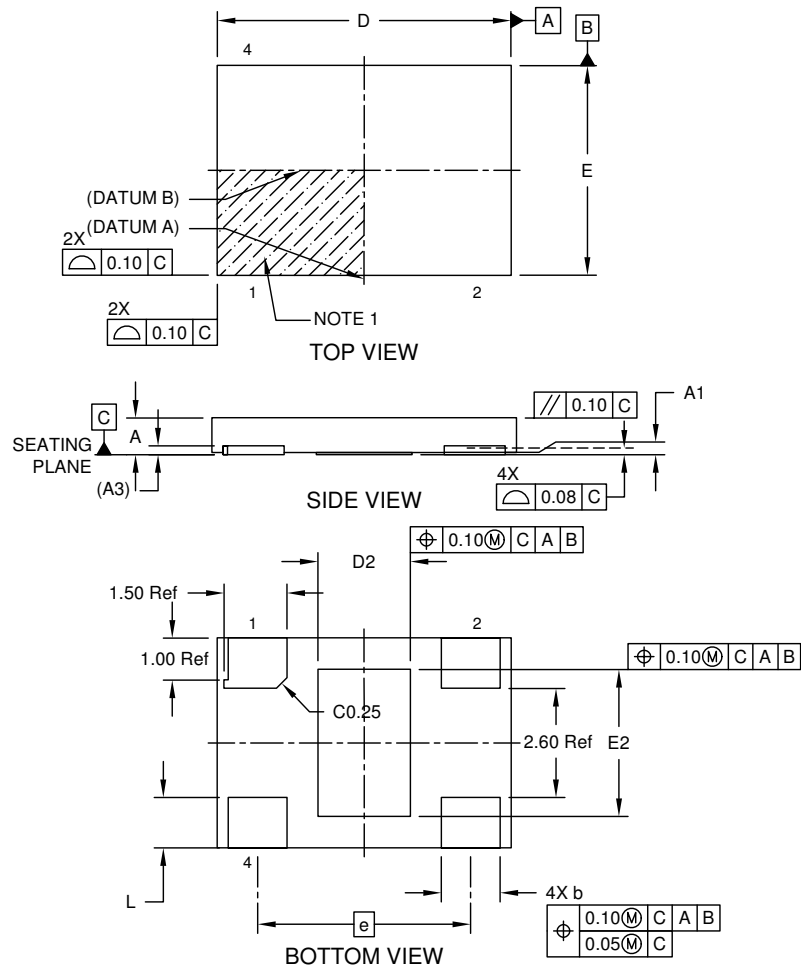
DSC150X/DSC152X

4-Lead Very Thin Dual Flatpack, No Lead Package (JZA) 7 mm x 5 mm x 0.9 mm (VDFN) Package Outline and Recommended Land Pattern with 2.2 mm x 3.5 mm Exposed Pad



4-Lead Very Thin Dual Flatpack, No Lead Package (JZA) - 7x5x0.9 mm Body [VDFN] With 2.2x3.5 mm Exposed Pad

Note: For the most current package drawings, please see the Microchip Packaging Specification located at <http://www.microchip.com/packaging>



Microchip Technology Drawing C04-1025 Rev A Sheet 1 of 2

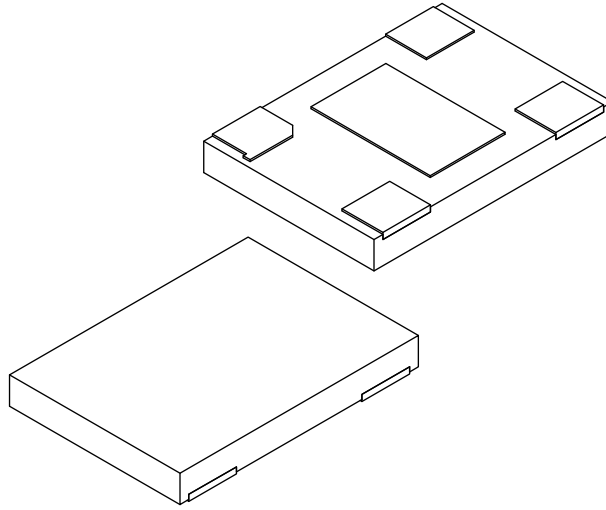
© 2019 Microchip Technology Incorporated

DSC150X/DSC152X



4-Lead Very Thin Dual Flatpack, No Lead Package (JZA) - 7x5x0.9 mm Body [VDFN] With 2.2x3.5 mm Exposed Pad

Note: For the most current package drawings, please see the Microchip Packaging Specification located at <http://www.microchip.com/packaging>



Dimension Limits	Units	MILLIMETERS		
		MIN	NOM	MAX
Number of Terminals	N	004		
Pitch	e	5.08 Ref		
Overall Height	A	0.80	0.85	0.90
Standoff	A1	0.00	-	0.05
Terminal Thickness	A3	0.203 Ref		
Overall Length	D	6.90	7.00	7.10
Exposed Pad Length	D2	2.10	2.20	2.30
Overall Width	E	4.90	5.00	5.10
Exposed Pad Width	E2	3.40	3.50	3.60
Terminal Width	b	1.35	1.40	1.45
Terminal Length	L	1.10	1.20	1.30

Notes:

1. Pin 1 visual index feature may vary, but must be located within the pin 1 area.
2. Package is saw singulated
3. Dimensioning and tolerancing per ASME Y14.5M
BSC: Basic Dimension. Theoretically exact value shown without tolerances.
REF: Reference Dimension, usually without tolerance, for information purposes only.

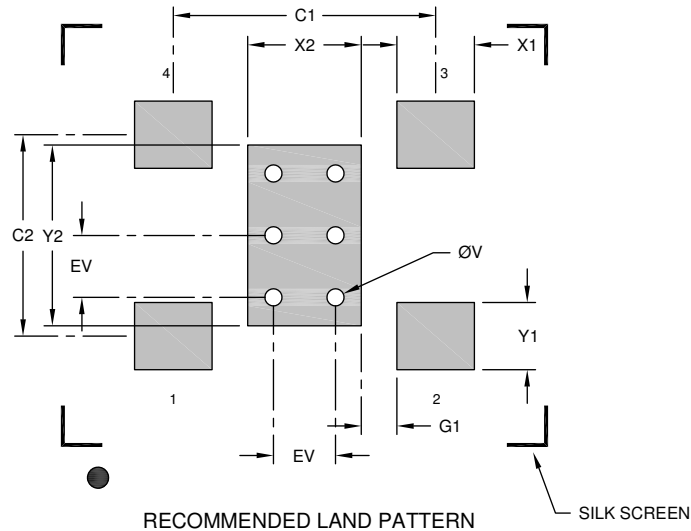
Microchip Technology Drawing C04-1025 Rev A Sheet 2 of 2

© 2019 Microchip Technology Incorporated



4-Lead Very Thin Dual Flatpack, No Lead Package [JZA] - 7x5x0.9 mm Body [VDFN] With 2.2x3.5 mm Exposed Pad

Note: For the most current package drawings, please see the Microchip Packaging Specification located at <http://www.microchip.com/packaging>



RECOMMENDED LAND PATTERN

Dimension Limits	Units	MILLIMETERS		
		MIN	NOM	MAX
Optional Center Pad Width	X2			2.30
Optional Center Pad Length	Y2			3.60
Contact Pad Spacing	C1		5.08	
Contact Pad Spacing	C2		3.90	
Contact Pad Width (Xnn)	X1			1.50
Contact Pad Length (Xnn)	Y1			1.30
Contact Pad to Center Pad (Xnn)	G1	0.69		
Thermal Via Diameter	V		0.33	
Thermal Via Pitch	EV		1.20	

Notes:

- Dimensioning and tolerancing per ASME Y14.5M
BSC: Basic Dimension. Theoretically exact value shown without tolerances.
- For best soldering results, thermal vias, if used, should be filled or tented to avoid solder loss during reflow process

Microchip Technology Drawing C04-3025 Rev A

© 2019 Microchip Technology Incorporated

DSC150X/DSC152X

NOTES:

APPENDIX A: REVISION HISTORY

Revision A (June 2021)

- Initial release of DSC150x/DSC152x as Microchip data sheet DS20006516A.

DSC150X/DSC152X

NOTES:

DSC150X/DSC152X

PRODUCT IDENTIFICATION SYSTEM

To order or obtain information, e.g., on pricing or delivery, contact your local Microchip representative or sales office.

<u>PART NO.</u>	X	X	X	X	X	X	-XXXXXXXX	X
Device	Control Pin	Output Drive Strength	Package	Temperature	Stability	Revision	Output Frequency	Media Type
Device:	DSC15:	Low-Power Low-Jitter CMOS MEMS Oscillator						
Control Pin:	0	= Standby Function (STB)						
	2	= Enable/Disable Function (OE)						
Output Drive Strength:	1	= LVC MOS Medium Drive (2.5V.3.3V)						
	2	= LVC MOS Standard Drive (2.5V.3.3V)						
	3	= LVC MOS Low Drive (2.5V.3.3V)						
	4	= LVC MOS Low Drive (1.8V)						
	5	= LVC MOS Standard Drive (1.8V)						
Package:	A	= 7.0 mm x 5.0 mm 4-Lead VDFN						
	J	= 2.5 mm x 2.0 mm 4-Lead VLGA						
	M	= 2.0 mm x 1.6 mm 4-Lead VLGA						
Temperature:	E	= -20°C to +70°C (Extended Commercial)						
	I	= -40°C to +85°C (Industrial)						
	L	= -40°C to +105°C (Extended Industrial)						
	A	= -40°C to +125°C (Automotive)						
Frequency Stability:	1	= ±50 ppm						
	2	= ±25 ppm						
	3	= ±20 ppm						
Revision:	A	= Revision A						
Output Frequency:	xMxxxxx=	≤ 9.999999 MHz						
	xxMxxxx=	10.00000 MHz to 99.99999 MHz						
	xxxMxxxx=	≥ 100.0000 MHz						
Media Type:	<blank>	= Bulk (100/Bag) for 2.0 mm x 1.6 mm Package Bulk in Tube for Other Packages						
	T	= 1,000/Reel						
	B	= 3,000/Reel						

Examples:

a) DSC1521ML3A-50M00000: Pin1 OE, CMOS Medium Drive, 4-Lead 2.0 mm x 1.6 mm, -40°C to 105°C Temperature Range, ±20 ppm, 50 MHz, Bulk.

b) DSC1502J11A-100M0000T: Pin1 STB, CMOS Standard Drive, 4-Lead 2.5 mm x 2.0 mm, -40°C to 85°C Temperature Range, ±50 ppm, 100 MHz, 1,000 Reel.

Note 1: Tape and Reel identifier only appears in the catalog part number description. This identifier is used for ordering purposes and is not printed on the device package. Check with your Microchip Sales Office for package availability with the Tape and Reel option.

Please visit the [Microchip ClockWorks Configurator®](http://clockworks.microchip.com/configurator) website to configure the part number for customized frequency select settings.

<http://clockworks.microchip.com/timing>

DSC150X/DSC152X

NOTES:

Note the following details of the code protection feature on Microchip devices:

- Microchip products meet the specifications contained in their particular Microchip Data Sheet.
- Microchip believes that its family of products is secure when used in the intended manner and under normal conditions.
- There are dishonest and possibly illegal methods being used in attempts to breach the code protection features of the Microchip devices. We believe that these methods require using the Microchip products in a manner outside the operating specifications contained in Microchip's Data Sheets. Attempts to breach these code protection features, most likely, cannot be accomplished without violating Microchip's intellectual property rights.
- Microchip is willing to work with any customer who is concerned about the integrity of its code.
- Neither Microchip nor any other semiconductor manufacturer can guarantee the security of its code. Code protection does not mean that we are guaranteeing the product is "unbreakable." Code protection is constantly evolving. We at Microchip are committed to continuously improving the code protection features of our products. Attempts to break Microchip's code protection feature may be a violation of the Digital Millennium Copyright Act. If such acts allow unauthorized access to your software or other copyrighted work, you may have a right to sue for relief under that Act.

Information contained in this publication is provided for the sole purpose of designing with and using Microchip products. Information regarding device applications and the like is provided only for your convenience and may be superseded by updates. It is your responsibility to ensure that your application meets with your specifications.

THIS INFORMATION IS PROVIDED BY MICROCHIP "AS IS". MICROCHIP MAKES NO REPRESENTATIONS OR WARRANTIES OF ANY KIND WHETHER EXPRESS OR IMPLIED, WRITTEN OR ORAL, STATUTORY OR OTHERWISE, RELATED TO THE INFORMATION INCLUDING BUT NOT LIMITED TO ANY IMPLIED WARRANTIES OF NON-INFRINGEMENT, MERCHANTABILITY, AND FITNESS FOR A PARTICULAR PURPOSE OR WARRANTIES RELATED TO ITS CONDITION, QUALITY, OR PERFORMANCE.

IN NO EVENT WILL MICROCHIP BE LIABLE FOR ANY INDIRECT, SPECIAL, PUNITIVE, INCIDENTAL OR CONSEQUENTIAL LOSS, DAMAGE, COST OR EXPENSE OF ANY KIND WHATSOEVER RELATED TO THE INFORMATION OR ITS USE, HOWEVER CAUSED, EVEN IF MICROCHIP HAS BEEN ADVISED OF THE POSSIBILITY OR THE DAMAGES ARE FORESEEABLE. TO THE FULLEST EXTENT ALLOWED BY LAW, MICROCHIP'S TOTAL LIABILITY ON ALL CLAIMS IN ANY WAY RELATED TO THE INFORMATION OR ITS USE WILL NOT EXCEED THE AMOUNT OF FEES, IF ANY, THAT YOU HAVE PAID DIRECTLY TO MICROCHIP FOR THE INFORMATION. Use of Microchip devices in life support and/or safety applications is entirely at the buyer's risk, and the buyer agrees to defend, indemnify and hold harmless Microchip from any and all damages, claims, suits, or expenses resulting from such use. No licenses are conveyed, implicitly or otherwise, under any Microchip intellectual property rights unless otherwise stated.

Trademarks

The Microchip name and logo, the Microchip logo, Adaptec, AnyRate, AVR, AVR logo, AVR Freaks, BesTime, BitCloud, chipKIT, chipKIT logo, CryptoMemory, CryptoRF, dsPIC, FlashFlex, flexPWR, HELDO, IGL00, JukeBlox, KeeLoq, Kleer, LANCheck, LinkMD, maXStylus, maXTouch, MediaLB, megaAVR, Microsemi, Microsemi logo, MOST, MOST logo, MPLAB, OptoLyzer, PackeTime, PIC, picoPower, PICSTART, PIC32 logo, PolarFire, Prochip Designer, QTouch, SAM-BA, SenGenuity, SpyNIC, SST, SST Logo, SuperFlash, Symmetricom, SyncServer, Tachyon, TimeSource, tinyAVR, UNI/O, Vectron, and XMEGA are registered trademarks of Microchip Technology Incorporated in the U.S.A. and other countries.

AgileSwitch, APT, ClockWorks, The Embedded Control Solutions Company, EtherSynch, FlashTec, Hyper Speed Control, HyperLight Load, IntelliMOS, Libero, motorBench, mTouch, Powermite 3, Precision Edge, ProASIC, ProASIC Plus, ProASIC Plus logo, Quiet-Wire, SmartFusion, SyncWorld, Temux, TimeCesium, TimeHub, TimePictra, TimeProvider, WinPath, and ZL are registered trademarks of Microchip Technology Incorporated in the U.S.A.

Adjacent Key Suppression, AKS, Analog-for-the-Digital Age, Any Capacitor, AnyIn, AnyOut, Augmented Switching, BlueSky, BodyCom, CodeGuard, CryptoAuthentication, CryptoAutomotive, CryptoCompanion, CryptoController, dsPICDEM, dsPICDEM.net, Dynamic Average Matching, DAM, ECAN, Espresso T1S, EtherGREEN, IdealBridge, In-Circuit Serial Programming, ICSP, INICnet, Intelligent Paralleling, Inter-Chip Connectivity, JitterBlocker, maxCrypto, maxView, memBrain, Mindi, MiWi, MPASM, MPF, MPLAB Certified logo, MPLIB, MPLINK, MultiTRAK, NetDetach, Omniscient Code Generation, PICDEM, PICDEM.net, PICkit, PICtail, PowerSmart, PureSilicon, QMatrix, REAL ICE, Ripple Blocker, RTAX, RTG4, SAM-ICE, Serial Quad I/O, simpleMAP, SimpliPHY, SmartBuffer, SMART-I.S., storClad, SQI, SuperSwitcher, SuperSwitcher II, Switchtec, SynchroPHY, Total Endurance, TSHARC, USBCheck, VariSense, VectorBlox, VeriPHY, ViewSpan, WiperLock, XpressConnect, and ZENA are trademarks of Microchip Technology Incorporated in the U.S.A. and other countries.

SQTP is a service mark of Microchip Technology Incorporated in the U.S.A.

The Adaptec logo, Frequency on Demand, Silicon Storage Technology, and Symmcom are registered trademarks of Microchip Technology Inc. in other countries.

GestIC is a registered trademark of Microchip Technology Germany II GmbH & Co. KG, a subsidiary of Microchip Technology Inc., in other countries.

All other trademarks mentioned herein are property of their respective companies.

© 2021, Microchip Technology Incorporated, All Rights Reserved.

ISBN: 978-1-5224-8489-9

For information regarding Microchip's Quality Management Systems, please visit www.microchip.com/quality.



MICROCHIP

Worldwide Sales and Service

AMERICAS

Corporate Office
2355 West Chandler Blvd.
Chandler, AZ 85224-6199
Tel: 480-792-7200
Fax: 480-792-7277
Technical Support:
<http://www.microchip.com/support>
Web Address:
www.microchip.com

Atlanta

Duluth, GA
Tel: 678-957-9614
Fax: 678-957-1455

Austin, TX

Tel: 512-257-3370

Boston

Westborough, MA
Tel: 774-760-0087
Fax: 774-760-0088

Chicago

Itasca, IL
Tel: 630-285-0071
Fax: 630-285-0075

Dallas

Addison, TX
Tel: 972-818-7423
Fax: 972-818-2924

Detroit

Novi, MI
Tel: 248-848-4000

Houston, TX

Tel: 281-894-5983

Indianapolis

Noblesville, IN
Tel: 317-773-8323
Fax: 317-773-5453
Tel: 317-536-2380

Los Angeles

Mission Viejo, CA
Tel: 949-462-9523
Fax: 949-462-9608
Tel: 951-273-7800

Raleigh, NC

Tel: 919-844-7510

New York, NY

Tel: 631-435-6000

San Jose, CA

Tel: 408-735-9110
Tel: 408-436-4270

Canada - Toronto

Tel: 905-695-1980
Fax: 905-695-2078

ASIA/PACIFIC

Australia - Sydney
Tel: 61-2-9868-6733

China - Beijing
Tel: 86-10-8569-7000

China - Chengdu
Tel: 86-28-8665-5511

China - Chongqing
Tel: 86-23-8980-9588

China - Dongguan
Tel: 86-769-8702-9880

China - Guangzhou
Tel: 86-20-8755-8029

China - Hangzhou
Tel: 86-571-8792-8115

China - Hong Kong SAR
Tel: 852-2943-5100

China - Nanjing
Tel: 86-25-8473-2460

China - Qingdao
Tel: 86-532-8502-7355

China - Shanghai
Tel: 86-21-3326-8000

China - Shenyang
Tel: 86-24-2334-2829

China - Shenzhen
Tel: 86-755-8864-2200

China - Suzhou
Tel: 86-186-6233-1526

China - Wuhan
Tel: 86-27-5980-5300

China - Xian
Tel: 86-29-8833-7252

China - Xiamen
Tel: 86-592-2388138

China - Zhuhai
Tel: 86-756-3210040

ASIA/PACIFIC

India - Bangalore
Tel: 91-80-3090-4444

India - New Delhi
Tel: 91-11-4160-8631

India - Pune
Tel: 91-20-4121-0141

Japan - Osaka
Tel: 81-6-6152-7160

Japan - Tokyo
Tel: 81-3-6880-3770

Korea - Daegu
Tel: 82-53-744-4301

Korea - Seoul
Tel: 82-2-554-7200

Malaysia - Kuala Lumpur
Tel: 60-3-7651-7906

Malaysia - Penang
Tel: 60-4-227-8870

Philippines - Manila
Tel: 63-2-634-9065

Singapore
Tel: 65-6334-8870

Taiwan - Hsin Chu
Tel: 886-3-577-8366

Taiwan - Kaohsiung
Tel: 886-7-213-7830

Taiwan - Taipei
Tel: 886-2-2508-8600

Thailand - Bangkok
Tel: 66-2-694-1351

Vietnam - Ho Chi Minh
Tel: 84-28-5448-2100

EUROPE

Austria - Wels
Tel: 43-7242-2244-39
Fax: 43-7242-2244-393

Denmark - Copenhagen
Tel: 45-4485-5910
Fax: 45-4485-2829

Finland - Espoo
Tel: 358-9-4520-820

France - Paris
Tel: 33-1-69-53-63-20
Fax: 33-1-69-30-90-79

Germany - Garching
Tel: 49-8931-9700

Germany - Haan
Tel: 49-2129-3766400

Germany - Heilbronn
Tel: 49-7131-72400

Germany - Karlsruhe
Tel: 49-721-625370

Germany - Munich
Tel: 49-89-627-144-0
Fax: 49-89-627-144-44

Germany - Rosenheim
Tel: 49-8031-354-560

Israel - Ra'anana
Tel: 972-9-744-7705

Italy - Milan
Tel: 39-0331-742611
Fax: 39-0331-466781

Italy - Padova
Tel: 39-049-7625286

Netherlands - Drunen
Tel: 31-416-690399
Fax: 31-416-690340

Norway - Trondheim
Tel: 47-7288-4388

Poland - Warsaw
Tel: 48-22-3325737

Romania - Bucharest
Tel: 40-21-407-87-50

Spain - Madrid
Tel: 34-91-708-08-90
Fax: 34-91-708-08-91

Sweden - Gothenberg
Tel: 46-31-704-60-40

Sweden - Stockholm
Tel: 46-8-5090-4654

UK - Wokingham
Tel: 44-118-921-5800
Fax: 44-118-921-5820