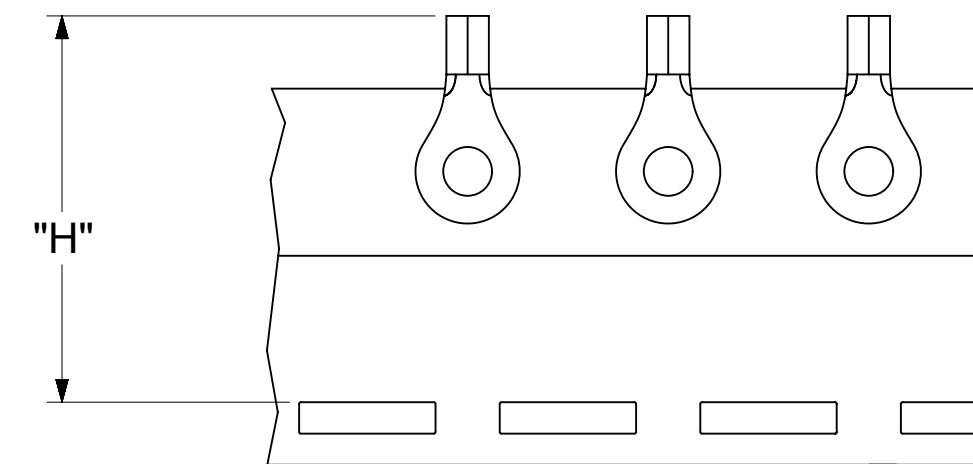
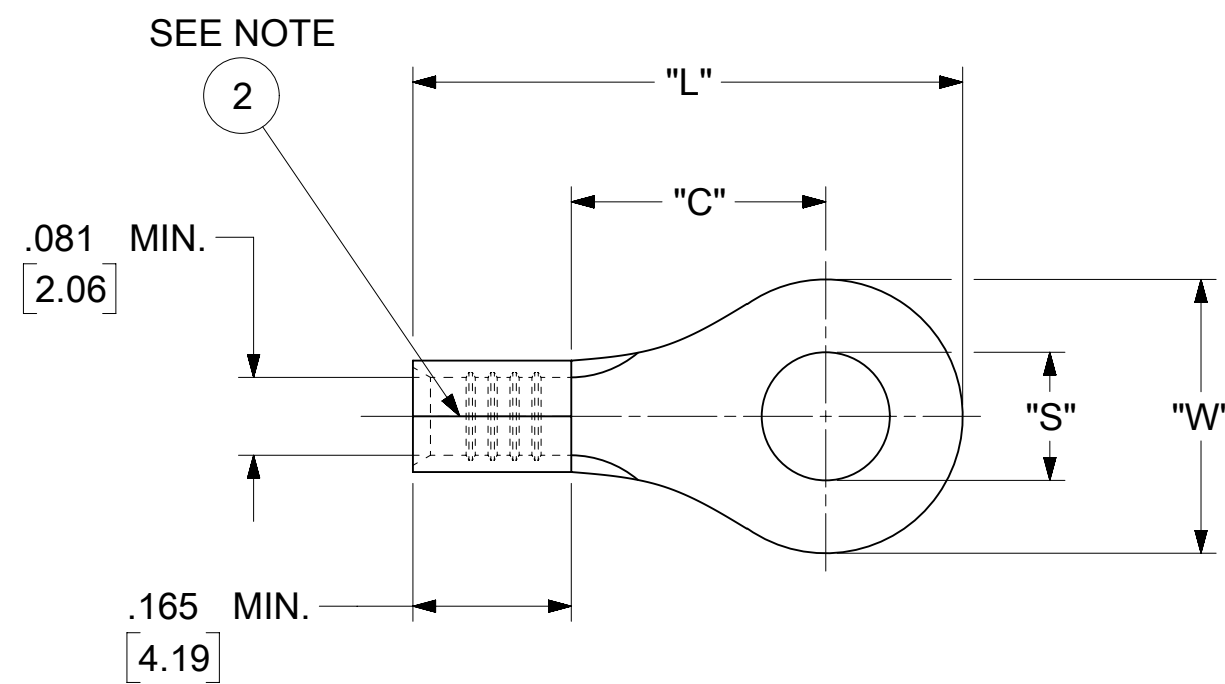


| LOOSE PIECE | | TAPE MOUNTED | | SPECIFICATIONS | | | | | |
|-----------------|--------------------|-----------------|--------------------|----------------|---------------------|---------------------|--------------|---------------|---------------|
| MATERIAL NUMBER | ENGINEERING NUMBER | MATERIAL NUMBER | ENGINEERING NUMBER | STUD SIZE | "S" ±.005 [0.13] | "W" ±.010 [0.25] | "C" MIN. | "L" MAX. | "H" |
| 191930055 | BB-318-14 | --- | --- | 14 | .265 [6.73] | .534 [13.56] | .554 [14.07] | 1.036 [26.31] | --- |
| 191930057 | BB-318-38 | --- | --- | 38 | .390 [9.91] | | | | |
| 191930062 | BB-323-02 | 191930063 | BB-323-02T | 2 | .094 [2.39] | .250 [6.35] | .209 [5.31] | .560 [14.22] | 1.155 [29.34] |
| 191930072 | BB-325-14 | 191930073 | BB-325-14T | 14 | .265 [6.73] | .467 [11.86] | .388 [9.86] | .837 [21.26] | 1.155 [29.34] |
| 191930074 | BB-325-56 | --- | --- | 56 | .328 [8.33] | | | | |
| 191930078 | BB-337-06 | 191930079 | BB-337-06T | 6 | .146 [3.71] | .312 [7.92] | .285 [7.24] | .645 [16.38] | 1.155 [29.34] |
| 191930080 | BB-337-08 | 191930081 | BB-337-08T | 8 | .173 [4.39] | | | | |
| 191930082 | BB-337-10 | 191930083 | BB-337-10T | 10 | .198 [5.03] | | | | |
| 191930089 | BB-339-08 | 191930090 | BB-339-08T | 8 | .173 [4.39] | .342 [8.69] | .310 [7.87] | .696 [17.68] | 1.155 [29.34] |
| 191930091 | BB-339-10 | 191930092 | BB-339-10T | 10 | .198 [5.03] | | | | |



PARTS ON TAPE

NOTES:

- MATERIAL: COPPER (STOCK THICKNESS .031±.001[0.79])
PLATING: ELECTRO-TIN (.0003 MIN).
- BRAZED SEAM
- WIRE SIZE: 16 - 14 AWG
1.0 - 2.5 MM²
- "UL" LISTING #E32244
"CSA" LISTING #18689
- ALL DIMENSIONS IN INCHES/[MM].
- PARTS ARE ROHS COMPLIANT.
- DIMS. SHOWN ARE FOR REFERENCE ONLY.

| | | | | | | |
|---------|---|---------|----------------|---|-------------------|--------------------------------|
| SYMBOLS | THIS DRAWING CONTAINS INFORMATION THAT IS PROPRIETARY TO MOLEX ELECTRONIC TECHNOLOGIES, LLC AND SHOULD NOT BE USED WITHOUT WRITTEN PERMISSION | | | | | |
| | DIMENSION UNITS | SCALE | | CURRENT REV DESC: MIGRATION TO ECTR/NX | | |
| ∇ = 0 | INCH/MM | NTS | | molex RING TONGUE TERMINAL VERSAKRIMP 300-SERIES PRODUCT CUSTOMER DRAWING | | |
| ∇ = 0 | GENERAL TOLERANCES (UNLESS SPECIFIED) | | | | | |
| ∇ = 0 | | MM | INCH | | | |
| ∇ = 0 | 4 PLACES | ± --- | ± --- | | | |
| ∇ = 0 | 3 PLACES | ± --- | ± .005 | EC NO: 620820 | DRWN: ABENJAMINLW | 2019/07/08 |
| ∇ = 0 | 2 PLACES | ± 0.13 | ± .01 | CHK'D: GROJAS01 | 2019/07/17 | |
| ∇ = 0 | 1 PLACE | ± 0.25 | ± --- | APPR: JMACNEIL | 2019/08/06 | |
| ∇ = 0 | 0 PLACES | ± --- | ± --- | INITIAL REVISION: | | |
| ∇ = 0 | ANGULAR TOL | ± 0.5 ° | | DRWN: JJ | 1984/11/27 | |
| ∇ = 0 | DRAFT WHERE APPLICABLE MUST REMAIN WITHIN DIMENSIONS | | | APPR: JMACNEIL | 2019/08/06 | |
| ∇ = 0 | THIRD ANGLE PROJECTION | | DRAWING | SERIES | DOCUMENT NUMBER | DOC TYPE DOC PART REVISION |
| | C-SIZE | | 19193 | 19193 | 191930055 | PSD 000 A |
| | SEE TABLE | | GENERAL MARKET | SHEET NUMBER 1 OF 1 | | |